

*LIBRETTO ISTRUZIONI  
PER L'USO E LA MANUTENZIONE  
DELLE FRIGGITRICI DA TAVOLO  
ELETTRICHE*

*\* OPERATION AND MAINTENANCE MANUAL  
FOR ELECTRIC TABLE-TOP FRYERS*

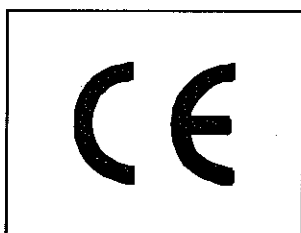
*MANUEL D'INSTRUCTIONS  
POUR L'UTILISATION ET L'ENTRETIEN  
DES FRITEUSES DE TABLE  
ELECTRIQUES*

*GEBRAUCHS- UND WARTUNGSANLEITUNG  
FÜR ELEKTRO-TISCHFRITEUSEN*

*MANUAL DE INSTRUCCIONES  
PARA EL USO Y EL MANTENIMIENTO  
DE LAS FREIDORAS ELÉCTRICAS  
DE MESA*

101.412

101.413



COD.: ZSL4500

REV. 01 / 2000

## CONTENTS

<b>1. INSTALLATION</b>	<b>Pag. 7</b>
1.1 IMPORTANT NOTICES	Pag. 7
1.2 POSITIONING	Pag. 7
1.3 CONNECTING TO THE POWER SUPPLY	Pag. 8
<b>2. OPERATING INSTRUCTIONS</b>	<b>Pag. 8</b>
2.1 STARTING UP FOR THE FIRST TIME	Pag. 8
2.2 SETTING	Pag. 9
2.3 DRAINING THE OIL	Pag. 10
<b>3. CLEANING AND MAINTENANCE</b>	<b>Pag. 11</b>
3.1 ROUTINE MAINTENANCE	Pag. 11
3.2 SPECIAL MAINTENANCE	Pag. 11
3.3 CONTROL AND SAFETY DEVICES	Pag. 11

# 1. INSTALLATION

## 1.1 IMPORTANT NOTICES

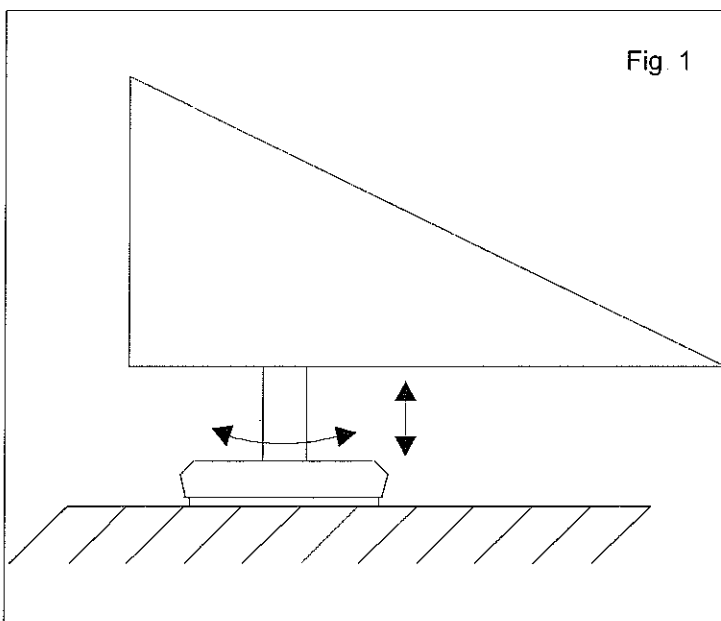
Please read this booklet carefully because it contains important information concerning installation, operating and maintenance safety for this appliance. Keep the booklet in a safe place so that it can be consulted by other operators.

- Installation must be effected by professionally qualified personnel following the manufacturer's instructions.
- The appliance can be operated only by personnel trained on how to use it
- Turn the appliance off in case of failure or faulty operation. If repairs are necessary, contact an After-Sales Service Centre authorised by the manufacturer and ask for original spare parts only.
- The safety of the appliance may be jeopardised if the above directions are not followed

The appliance complies with the following standards:

- electromagnetic compatibility E.M.C. directive CEE89/336 regarding the limitation of disturbances,
- accident-prevention and fire-prevention prescriptions in force,
- standards for the installation of electric systems,
- hygiene standards

## 1.2 POSITIONING



Remove the appliance from the packing, check it for damage and place it in the installation position

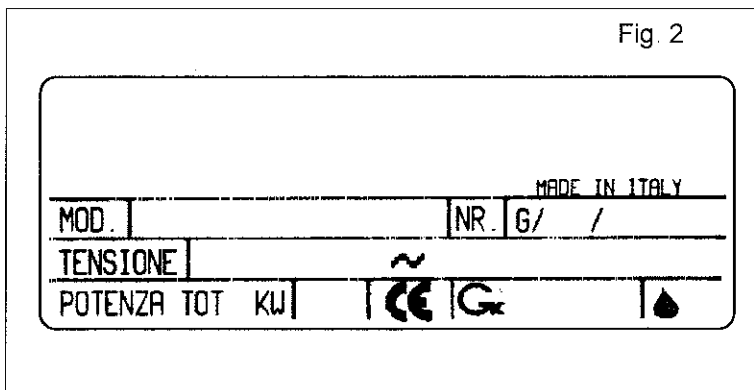
Only for appliances with adjustable feet Level and adjust height as shown in the illustration (Fig.1).

If the appliance is placed against a wall, this must be able to withstand temperatures of 80°C and if it is not inflammable, heat insulation must be installed. Remove the protective film from the external panels slowly to prevent glue remnants remaining on them.

**Do not obstruct the aspiration or heat discharge openings and gaps and place the appliance underneath an extraction hood that complies with current standards.**

### 1.3 CONNECTING TO THE POWER SUPPLY

Fig. 2



- Before connecting the appliance to the mains, make sure that the voltage and frequency indicated on the data plate correspond to those of the actual supply system.
- The appliance is set up to function as indicated in the data plate located at the rear or on the hand side of the appliance.
- To connect the appliance, simply connect a standardised plug suitable for the

absorbed load to the supply cable and plug it into a suitable socket that must be fitted with an efficient earthing system in compliance with the standards in force.

- To connect the appliance directly to the mains, it will be necessary to install an omnipolar cut out suitable for the load with a minimum distance between contacts of 3mm.
- The feed voltage, when the machine is operating, must not differ from the rated voltage by more than  $\pm 10\%$ .
- The appliance must be included in an unipotential system whose efficiency is checked in compliance with the standards in force.

Before delivering the appliance to the user:

- check that it operates correctly,
- instruct the user on how to use it

## 2. OPERATING INSTRUCTIONS

The appliance must be used only for the purpose for which it was designed. Any other use is improper. During operation, supervise the appliance.

### 2.1 STARTING UP FOR THE FIRST TIME

**WARNING:** do not start up the appliance before filling the frying compartment with oil. Failure to comply with this requirement results in grave damage from an overheated frying compartment and overheated heating elements.

Before starting up the appliance for the first time remove all the packing and thoroughly clean the protective industrial grease from the tray and containers using this procedure:

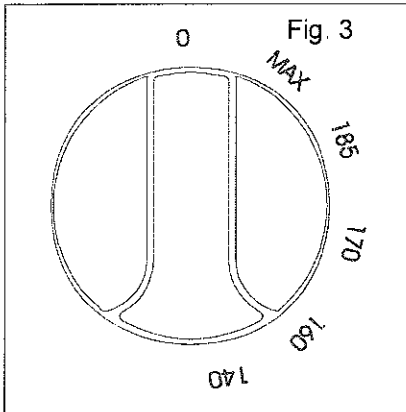
- fill the tank to the brim with water and normal detergent, turn on heat and boil for a few minutes
- drain the water through the drain tap and rinse the tank with plenty of clean water;
- shut off the tap and pour in frying oil above the MIN mark and below the MAX mark.

## 2.2 SETTING

### WARNING:

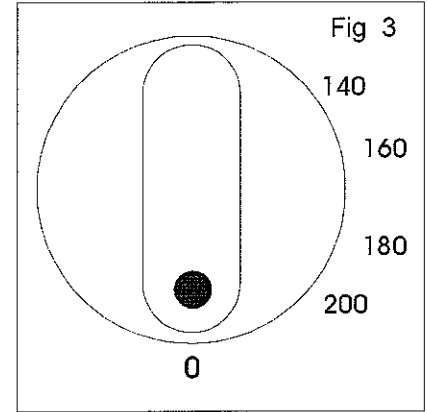
Old oil catches fire at a lower temperature and makes froth that tends to boil over. Remember that placing food that is too moist and placing too much food in the fryers contributes to the formation of froth that may boil over.

### APPLIANCE WITH 1 KNOB



#### START-UP

- Use main switch to start up.
- Turn the knob (Fig. 3) to set at the required temperature.



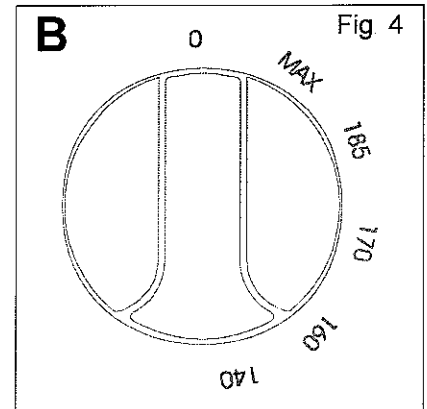
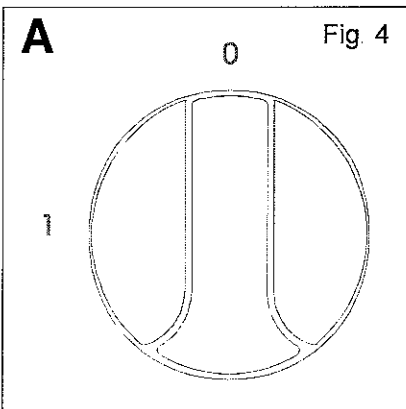
When the green light comes on the appliance is ready to use. The orange light remains on whilst the heating elements are operating.

As soon as the oil reaches the set temperature the heating elements switch off and the orange light goes out. When the temperature falls below the set level the heating elements come on again automatically.

#### SWITCH-OFF

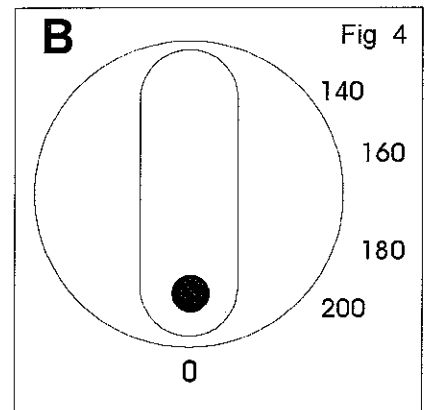
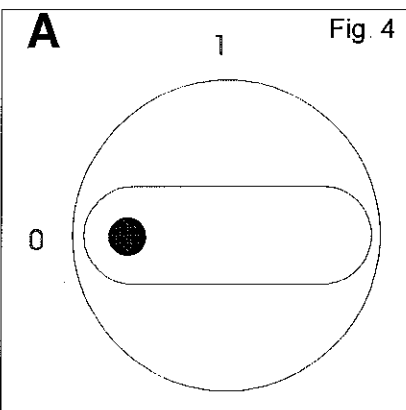
- Turn the knob (Fig. 3) back to position "0".
- If the appliance is not used, switch off the circuit breaker.
- Place the lid on the frying compartment/frying compartments.

### APPLIANCE WITH 2 KNOBS



#### START-UP

- Use the main switch to start up.
- Turn knob A to position "1".
- Turn knob B to set temperature.



When the green light comes on the appliance is ready to use. The orange light remains on whilst the heating elements are operating.

As soon as the oil reaches the set temperature the heating elements switch off and the orange light goes out. When the temperature falls below the set level the heating elements come on again automatically

### SWITCH-OFF

- Turn knob B to position "0".
- Turn knob A to position "0".
- If the appliance is not used, switch off the circuit breaker
- Place the lid on the frying compartment/frying compartments

## 2.3 DRAINING THE OIL

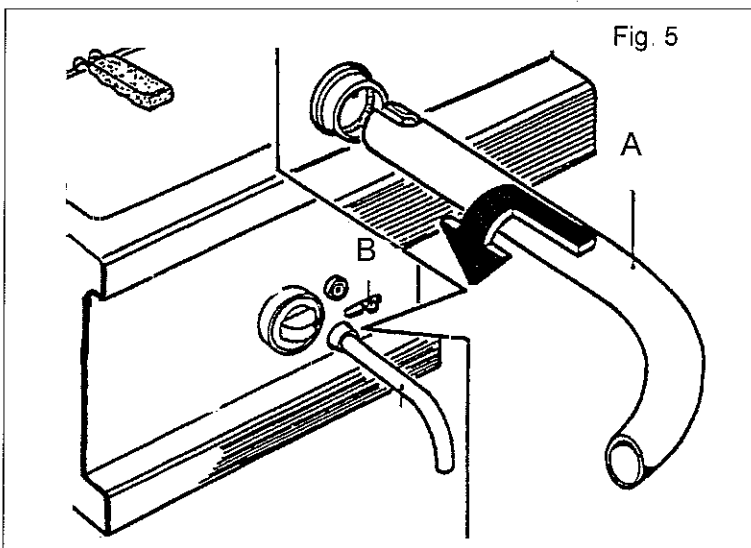
### APPLIANCES WITH EXTRACTABLE FRYING COMPARTMENT

- Switch off the appliance.
- Wait for the oil in the compartment to cool.
- Raise the power pack.
- Remove the bowl and empty the oil into a preferably metal bucket. Filter any residue matter left in the bowl after frying.

### APPLIANCES WITH DISCHARGE TAP

- Switch of the appliance and wait for the oil to cool.
- Place a preferably metal container underneath the tap. Make sure that the container is stable and place muslin over the top to filter any impurities left in the oil after use.
- Open the discharge tap and let all the oil flow into the container

### APPLIANCES WITH OIL DISCHARGE BEND.



- Switch off the appliance.
  - Make sure that the oil in the frying compartment is cold.
  - Use a bayonet fitting to fit the extension (ref A) onto the discharge tap.
  - Place a preferably metal container underneath the bend. Make sure that the container is stable and place muslin over the top to filter any impurities left in the oil after use.
- Lift up the safety lever and open the tap by turning the knob to the left (Ref. B)

### NOTICE

The container holding the filtered oil should be kept in a cool place so that they oil does not deteriorate before it is used again.

## **3.**

# **CLEANING AND MAINTENANCE**

### **3.1 ROUTINE MAINTENANCE**

After completely emptying the oil, remove any protection grill from the heater. If the appliance's heater can be placed in a vertical position, place it in the vertical position and clean the compartment with soap and water. Dry with a soft cloth.

At the end of the working day, clean the appliance, both for reasons of hygiene and to prevent operating faults. Do not clean the appliance with direct or high-pressure jets of water and do not use metal pads, brushes or scrapers in normal steel. If necessary, use stainless steel pads, but do not rub them against the grain of the metal of the appliance.

Use warm soapy water on steel surfaces and then rinse in plenty of water and dry with a soft cloth. Maintain the shine by regular polishing with a normal liquid polish.

Do not wash the work top or floor with hydrochloric acid.

### **3.2 SPECIAL MAINTENANCE**

At regular intervals (at least once a year or more often in cases of frequent use), service the appliance thoroughly. Contact a specialised and experienced technician. A maintenance contract should be taken out with a centre approved by the company.

### **3.3 CONTROL AND SAFETY DEVICES**

The appliance has a safety thermostat that disconnects the power supply to the heating elements if the temperature exceeds the maximum set temperature. If this device is triggered the normal operation monitoring light will go out.

To start up the machine again, firmly press the red pushbutton that is located either on the front or behind the control panel, depending on appliance model. If the thermostat is triggered again, contact the customer service.

THE MANUFACTURER ACCEPTS NO RESPONSIBILITY FOR HARM CAUSED BY INCORRECT INTERVENTIONS, TAMPERING WITH THE APPLIANCE, MISUSE, POOR MAINTENANCE, NON-COMPLIANCE WITH CURRENT REGULATIONS AND INEXPERT USE.

THE MANUFACTURER RESERVES THE RIGHT TO WITHOUT NOTICE MODIFY THE FEATURES OF THE APPLIANCES DESCRIBED IN THIS MANUAL.