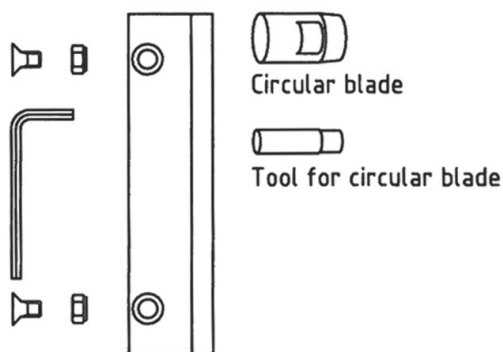
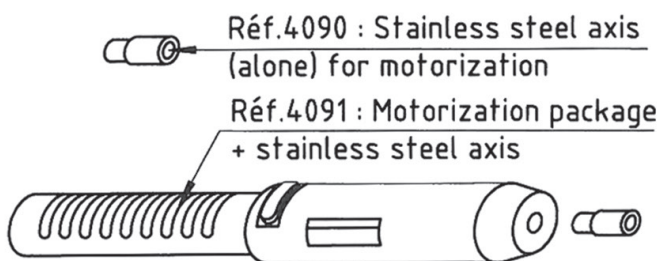
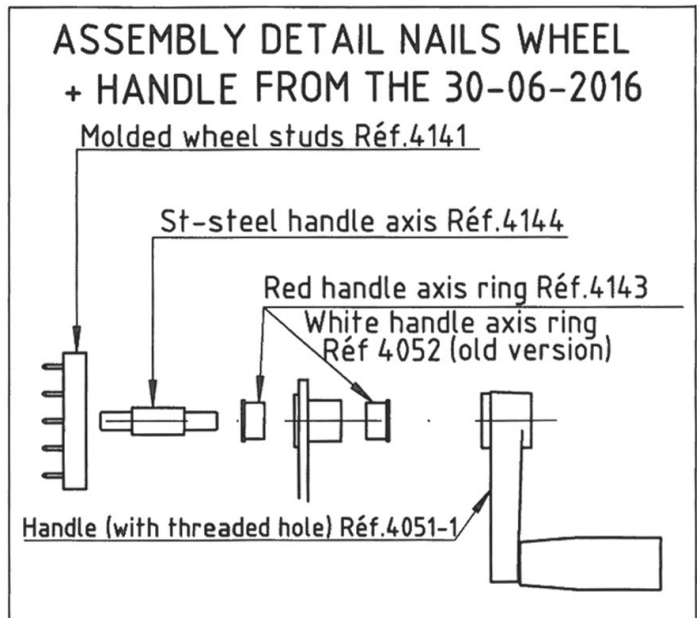
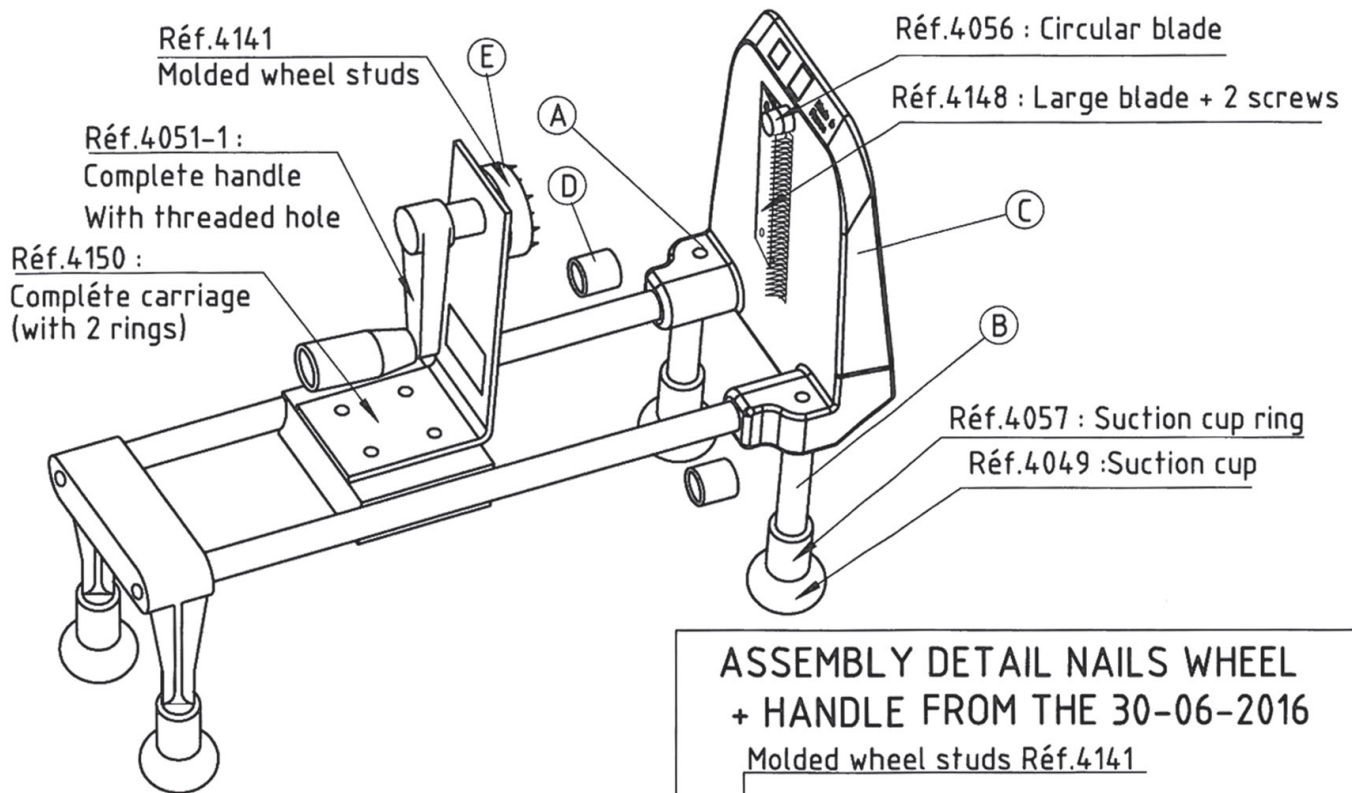
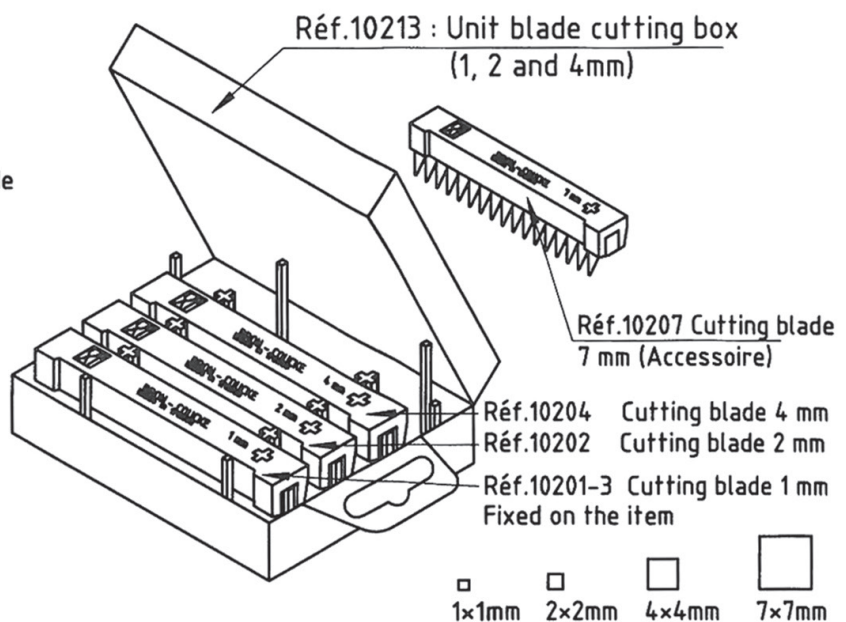


*202.120 VEGETABLE SLICER 'ROUET GOURMET'

EXPLODED VIEW - SPARE PART LIST



Réf.4146 Spare blades kit
(large blade + circular blade +
screws + tools + nuts)



NO	DESCRIPTION	CODE	Q'TY
	molded wheel studs	4141	
	circular blade	4056	
	large blade + 2 screws	4148	
	complete handle with threaded hole	4051-1	
	complete carriage (with 2 rings)	4150	
	suction cup ring	4057	
	suction cup	4049	
	assembly detail nails wheel + handle (from the 30-06-2016)		
	molded wheel studs	4141	
	stainless steel handle axis	4144	
	red handle axis ring	4143	
	white handle axis ring (old version)	4052	
	handle (with threaded hole)	4051	
	stainless steel axis (alone) for motorization	4090	
	motorization package	4091	
	spare blades kit (large blade + circular blade + screws + tools + nuts)	4146	
	unit blade cutting box (1, 2 and 4mm)	10213	
	cutting blade 7 mm (accessories)	10207	
	cutting blade 4 mm	10204	
	cutting blade 2 mm	10202	
	cutting blade 1 mm fixed on the item	10201-3	