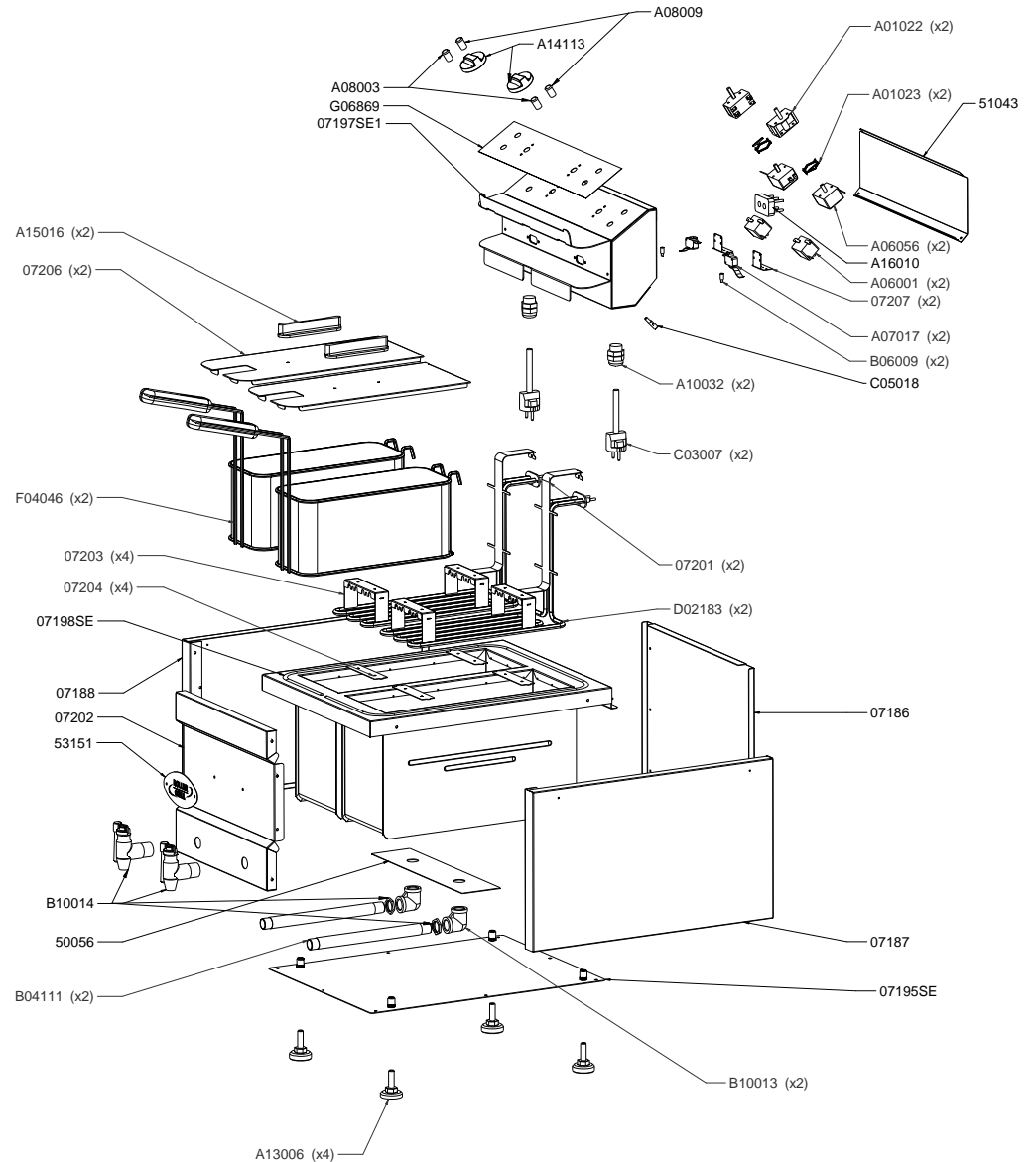




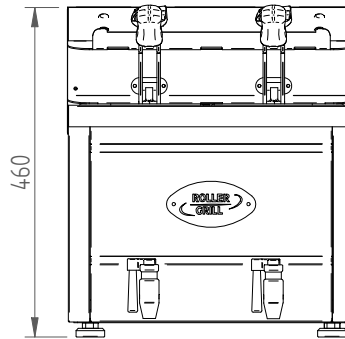
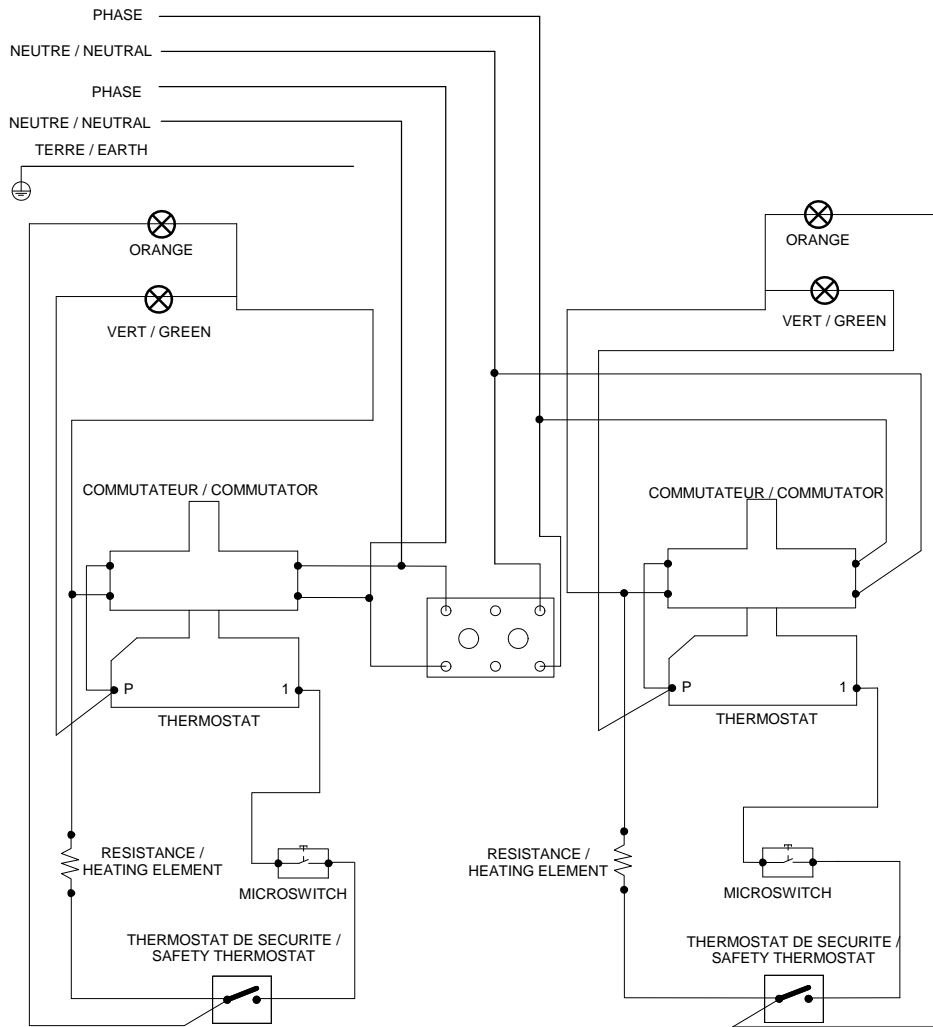
*304.111 ELECTRIC FRYER - EXPLODED VIEW / PARTLIST

CODE	QTE	PIECE	SPARE PART
07186	1	ARRIERE RFE 12	REAR RFE 12
07187	1	COTE DROIT RFE 12	RIGHT SIDE RFE 12
07188	1	COTE GAUCHE RFE 12	LEFT SIDE RFE 12
07195SE	1	FOND DE SOCLE RFE 12	BOTTOM CASING RFE 12
07197SE1	1	S/E BOITIER FRITEUSE RFE 16 2 X 8 L	CONTROL BOX FRYER RFE 16 2 X 8 L
07198SE	1	S/E CUVE FRITEUSE RFE 16 2 x 8 L	TANK ASSEMBLY RFE 16 2 x 8 L
07201	2	JAUGE FRITEUSE RFE 16 2 x 8 L	DIPSTICK FRYER RFE 16 2x 8 L
07202	1	BANDEAU FRITEUSE RFE 16 2 x 8 L	FRONT PANEL FRYER RFE 16 2 x 8 L
07203	4	BRIDE RESISTANCE SUP FRITEUSE RFE 16 2 x 8 L	TOP HEATING ELEMENT HOLDER FRYER RFE 16 2 x 8 L
07204	4	BRIDE RESISTANCE INF FRITEUSE RFE 16 2 x 8 L	BOTTOM HEATING ELEMENT HOLDER FRYER RFE 16 2 x 8 L
07206	2	COUVERCLE FRITEUSE RFE 16 2 x 8 L	FRYER LID RFE 16 2 x 8 L
07207	2	SUPPORT MICROSWITCH FRITEUSE RFE 16 2 X 8 L	MICROSWITCH HOLDER FRYER RFE 16 2 X 8 L
50056	1	BRIDE ISOLANT FRITEUSE RFE 20 C/RFE 16 2 x 8 L	INSULATION HOLDER FRYER RFE 20/RFE 16 2 x 8 L
51043	1	ARRIERE BOITIER MF 160/RFE 12	BACK CONTROL PACK CASING MF 160/RFE 12
53151	1	LOGO OVALE ROLLER GRILL + VIS	OVAL LOGO ROLLER GRILL AND SCREW
A01022	2	COMMUTATEUR	COMMUTATOR
A01023	2	CLIP D'ASSEMBLAGE	CLIP
A06001	2	THERMOSTAT SECURITE SP 001 FRITEUSE	SAFETY THERMOSTAT SP 001 FRYER
A06056	2	THERMOSTAT REGULATION FRITEUSE	PROBE THERMOSTAT FRYER
A07017	2	MICROSWITCH 16 A/250V, T125	MICROSWITCH 16 A/250V, T125
A08003	2	VOYANT ORANGE DIAM 12	ORANGE PILOT LIGHT DIAM 12
A08009	2	VOYANT VERT DIAM 12	GREEN PILOT LIGHT DIAM 12
A10032	2	PRESSE ETOUPE	CORD CLOSER
A13006	4	VERIN MOLETTE NOIR FC110 (PIED)	FOOT FC 110
A14113	2	BOUTON ELEC PLAT 9 H	ELECTRIC KNOB 9 H
A15016	2	POIGNEE	HANDLE
A16010	1	PLAQUE A BORNE	TERMINAL PLATE
B04111	2	TUBE VIDANGE RFE 16 2 x 8 L L: 250 mm	DRAINING PIPE RFE 16 2 x 8 L L: 250 mm
B06009	2	TETON + ECRou RST-RBE8/12	STUD + NUT RST RBE 8/12
B10013	2	COUDE 90° 1/2 FRITEUSE GAZ	ELBOW 90° GAS FRYER
B10014	2	ROBINET VIDANGE FRITEUSE	DRAINING DEVICE TAP FRYER
C03007	2	CORDON H07 RNF 3x1,5	CORD H07 RNF 3x1,5
C05018	1	BORNE EQUIPOTENTIEL	EQUIPOTENTIAL TERMINAL
D02183	2	RESISTANCE 3400 W 230 V RFE 16 2 x 8 L	HEATING ELEMENT 3400 W 230 V RFE 16 2 x 8 L
F04046	2	PANIER RFE 20 C	BASKET RFE 20 C
G06869	1	CADRAN RFE 16 2 x 8 L ROLLER GRILL	CONTROL PANEL RFE 16 2 x 8 L ROLLER GRILL





*304.111 ELECTRIC FRYER - EXPLODED VIEW / PARTLIST



64 (alim. elec.)

