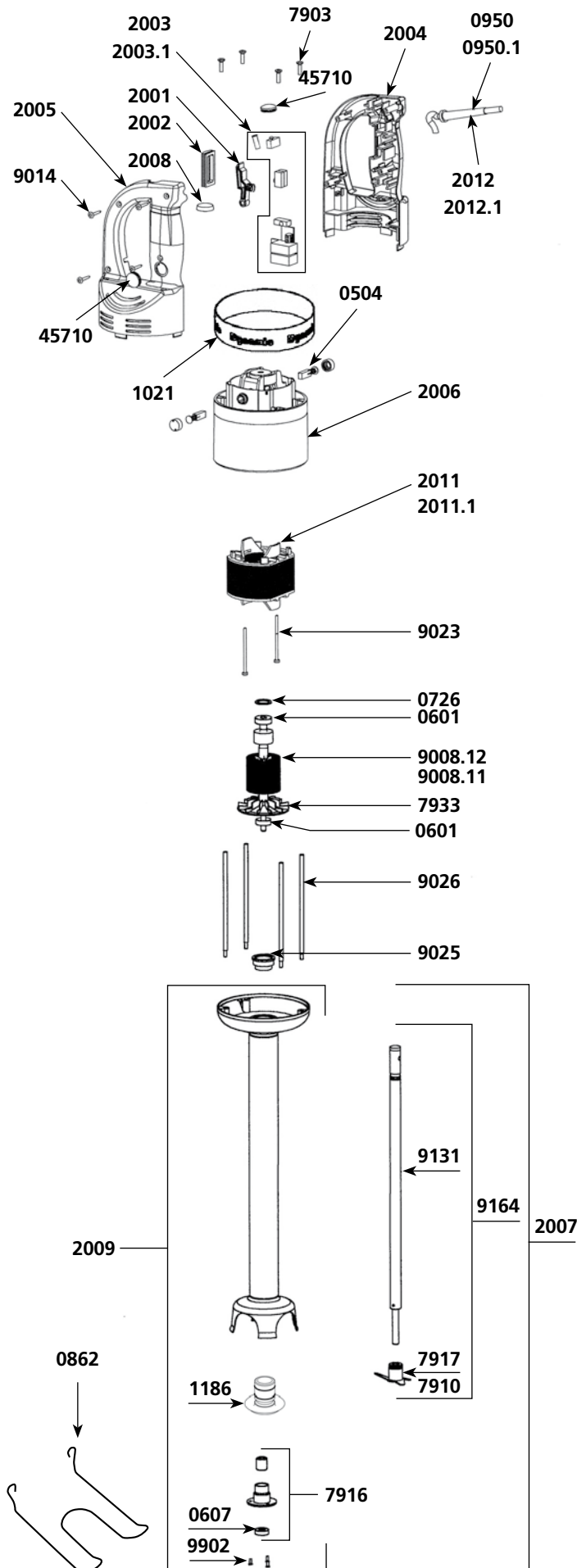


MX 2000 MIXER

551.091



Parts list

Code

Motor brushes (2)	0504
Ball bearing	0601
Waterproof seal	0607
Squeezing washer	0726
Safety button return spring	0768
Wall bracket	0862
Strain relief 230 V	0950
Strain relief 115 V	0950.1
Filter	0999.20
Warning label	1017
Dynamic label	1021
Label w/ serial number 230 V	1067
Label w/ serial number 115 V	1068
bearing holder + seal	1186
Micro switch	1237
Power on indicator light 230 V	1241
Power on indicator light 115 V	1241.1
Control lever	2001
Safety control lever	2002
Circuit board 230 V (4 switches + capacitor)	2003
Circuit board 115 V (4 switches + capacitor)	2003.1
Upper half handle	2004
Lower half handle	2005
Motor housing brush holder	2006
Complete foot assembly	2007
Speed control plug	2008
Foot assembly w/ bearing assembly	2009
Complete handle w/ power cord 230 V	2010
Complete handle w/ power cord 115 V	2010.1
Stator 230 V	2011
Stator 115 V	2011.1
Power cord 230 V > 2002	2012
Power cord 115 V > 2002	2012.1
Power cord (English) > 2002	2012.2
Power cord (Australian) > 2002	2012.3
Brace screws (4)	7903
Emulsifying blade	7910
Lower bearing assembly	7916
Cutter blade w/ screw	7917
Fan	7933
Rotor 115 V	9008.11
Rotor 230 V	9008.12
Power cord 230 V < 2002	9011
Handle screws (4)	9014
Field brace screws (2)	9023
Ball bearing ring	9025
Braces (4)	9026
Power cord 115 V < 2002	9040
Carbon brush wires 230 V	9043
Power cord (Australian) < 2002	9066
Power cord (English) < 2002	9067
Fitted shaft	9131
Carbon brush wires 115 V	9143
Shaft, lower bearing & cutter assembly	9164
Lower bearing screws (3)	9902
Safety button	45710