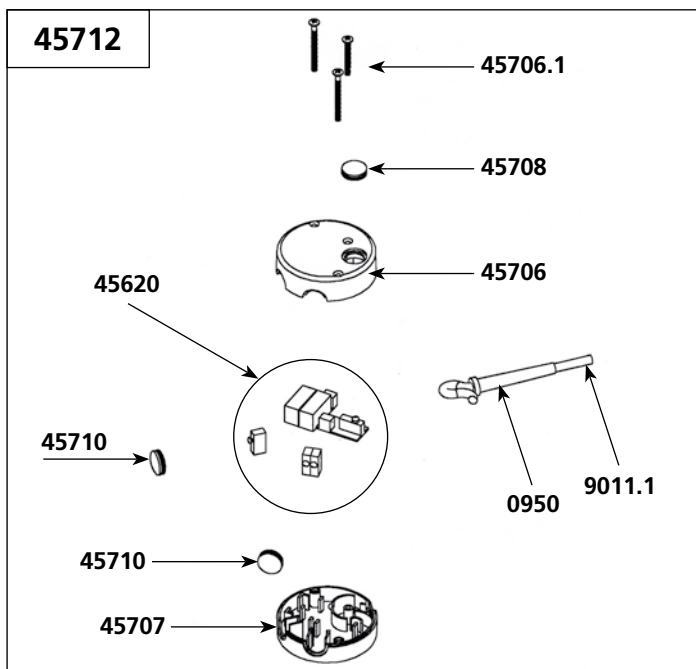
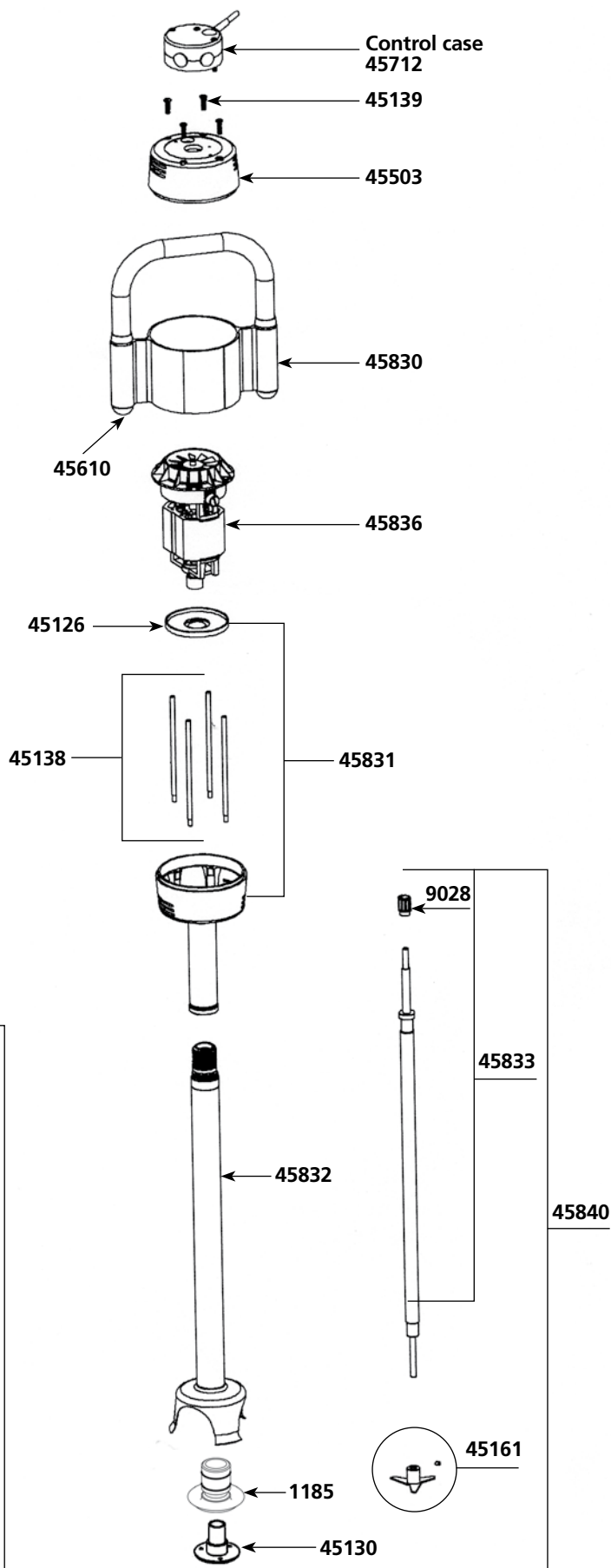
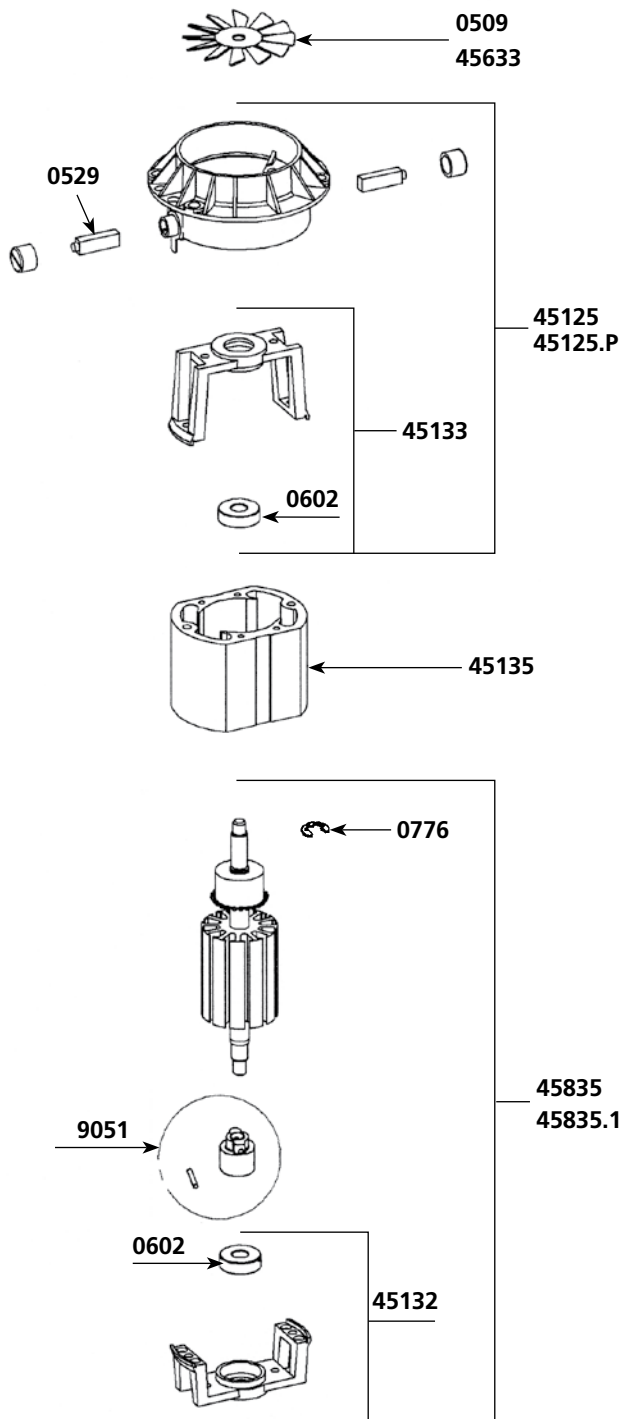


Parts list	Code
Aluminium Fan	0509
Carbon brushes (pair)	0529
Ball bearing	0601
Motor ball bearing	0602
Toric seal	0641
Rubber washer	0760
Clips	0776
Washer & bolt for fan	0777
Wall bracket	0862
Strain relief 230 V	0950
Strain relief 115 V	0950.1
ID label 230 V	1073
ID label 115 V	1074
Bearing holder + seal	1185
Fan housing Alu	45125
Fan housing Plastic	45125.P
Double isolation plate	45126
Lower bearing assembly	45130
Lower motor casing	45132
Upper motor casing	45133
Stator 230 V	45135
Stator 115 V	45135.1
Stator screws(2)	45137
Braces (4)	45138
Brace screws (4)	45139
Cutter blade w/ screw	45161
Squeezing washer (4)	45230
Top housing	45503
Handle cap (2)	45610
Circuit board 230 V	45620
Plastic fan	45633





Parts list

Code

Circuit board 115 V	45620.1
Top housing (orange plastic piece)	45706
Screws control case set	45706.1
Lower housing (orange plastic piece)	45707
Handle cap protector (unit)	45708
Handle cap protector (unit)	45710
Complete housing w/ screws	45711
Complete control casing 230V	45712
Complete control casing 115V	45712.1
Sleeve & complete handle & label & cap	45830
Lower housing	45831
Foot assembly w/ bearing assembly	45832
Shaft & ball bearing	45833
Kit w/ shaft, lower bearing, coupler, cutter	45834
Rotor 230 V	45835
Rotor 115 V	45835.1
Motor 230 V	45836
Motor 115 V	45836.1
Complete foot assembly	45840
Ball bearing ring	7912
Power cord 230 V	9011.1
Motor & shaft drive sprocket	9028
Power cord 115 V	9040.1
Coupling casing + pin	9051
Power cord (Australian)	9066.1
Power cord (English)	9067.1
Lower bearing screws (3)	9902

