

MOD:SP010ER

spidocook™

ENGLISH

TECHNICAL DATA

| | |
|--|---|
| 01 POWER | 1,5 kW |
| 03 FREQUENCY | 50 / 60 Hz |
| 04 POWER SUPPLY CABLE TYPE | H07RN-F |
| 05 EXTERNAL Ø OF POWER SUPPLY CABLE | 10 mm |
| 06 VOLTAGE / POWER CABLE SECTION / CURRENT | 230 V~1PH+N+PE 3G x 1,5 mm ² I1=6,5 A - I2= - I3= - In=6,5 A |
| 02 NOMINAL HEAT INPUT | 1,5 kW |
| 20 IP PROTECTION CLASS | X3 |

ITALIANO

| | |
|---|---|
| 01 POTENZA | 1,5 kW |
| 03 FREQUENZA | 50 / 60 Hz |
| 04 TIPO DI CAVO ALIMENTAZIONE | H07RN-F |
| 05 Ø ESTERNO CAVO DI ALIMENTAZIONE | 10 mm |
| 06 TENSIONE / SEZIONE CAVI ALIMENTAZIONE / CORRENTE | 230 V~1PH+N+PE 3G x 1,5 mm ² I1=6,5 A - I2= - I3= - In=6,5 A |
| 02 POTENZA TERMICA NOMINALE | 1,5 kW |
| 20 GRADO PROTEZIONE IP | X3 |

FRANCAIS

| | |
|--------------------------------------|---|
| 01 PUISSANCE ELECTRIQUE | 1,5 kW |
| 03 FREQUENCE | 50 / 60 Hz |
| 04 TYPE DE CABLE D'ALIMENTATION | H07RN-F |
| 05 Ø EXTERNE DU CABLE D'ALIMENTATION | 10 mm |
| 06 TENSION / SECTION CABLE D'ALIM. | 230 V~1PH+N+PE 3G x 1,5 mm ² I1=6,5 A - I2= - I3= - In=6,5 A |
| 02 DEBIT THERMIQUE NOMINAL | 1,5 kW |
| 20 INDICE DE PROTECTION IP | X3 |

ESPAÑOL

| | |
|---|---|
| 01 POTENCIA | 1,5 kW |
| 03 FRECUENCIA | 50 / 60 Hz |
| 04 TIPO DE CABLE DE ALIMENTACION | H07RN-F |
| 05 Ø CABLE EXTERNO DE ALIMENTACION | 10 mm |
| 06 TENSION / SECCION CABLES DE ALIMENTACION | 230 V~1PH+N+PE 3G x 1,5 mm ² I1=6,5 A - I2= - I3= - In=6,5 A |
| 02 POTENCIA TERMICA NOMINAL | 1,5 kW |
| 20 GRADO DE PROTECCION IP | X3 |

DEUTSCH

| | |
|---|---|
| 01 ELEKTRISCHE LEISTUNG | 1,5 kW |
| 03 FREQUENZ | 50 / 60 Hz |
| 04 ZULEITUNGSKABELTYP | H07RN-F |
| 05 AUSSENDURCHMESSER DES VERSORGUNGSKABELS | 10 mm |
| 06 KABELQUERSCHNITT UND VERSORGUNGSSPANNUNG | 230 V~1PH+N+PE 3G x 1,5 mm ² I1=6,5 A - I2= - I3= - In=6,5 A |
| 02 NOMINALE WARMELEISTUNG | 1,5 kW |
| 20 SCHTZART IP | X3 |

MOD:SP010ER

spidocook™

ENGLISH - DRAWINGS

| | |
|---|-----------------------------|
| 2 | TERMINAL BOARD POWER SUPPLY |
| 3 | UNIPOTENTIAL TERMINAL |
| 6 | TECHNICAL DATA PLATE |
| 7 | SAFETY THERMOSTAT |

ITALIANO - DISEGNI

| | |
|---|---------------------------|
| 2 | MORSETTIERA ALIMENTAZIONE |
| 3 | MORSETTO EQUIPOTENZIALE |
| 6 | TARGHETTA DATI TECNICI |
| 7 | TERMOSTATO DI SICUREZZA |

FRANCAIS - ENCOMBREMEN

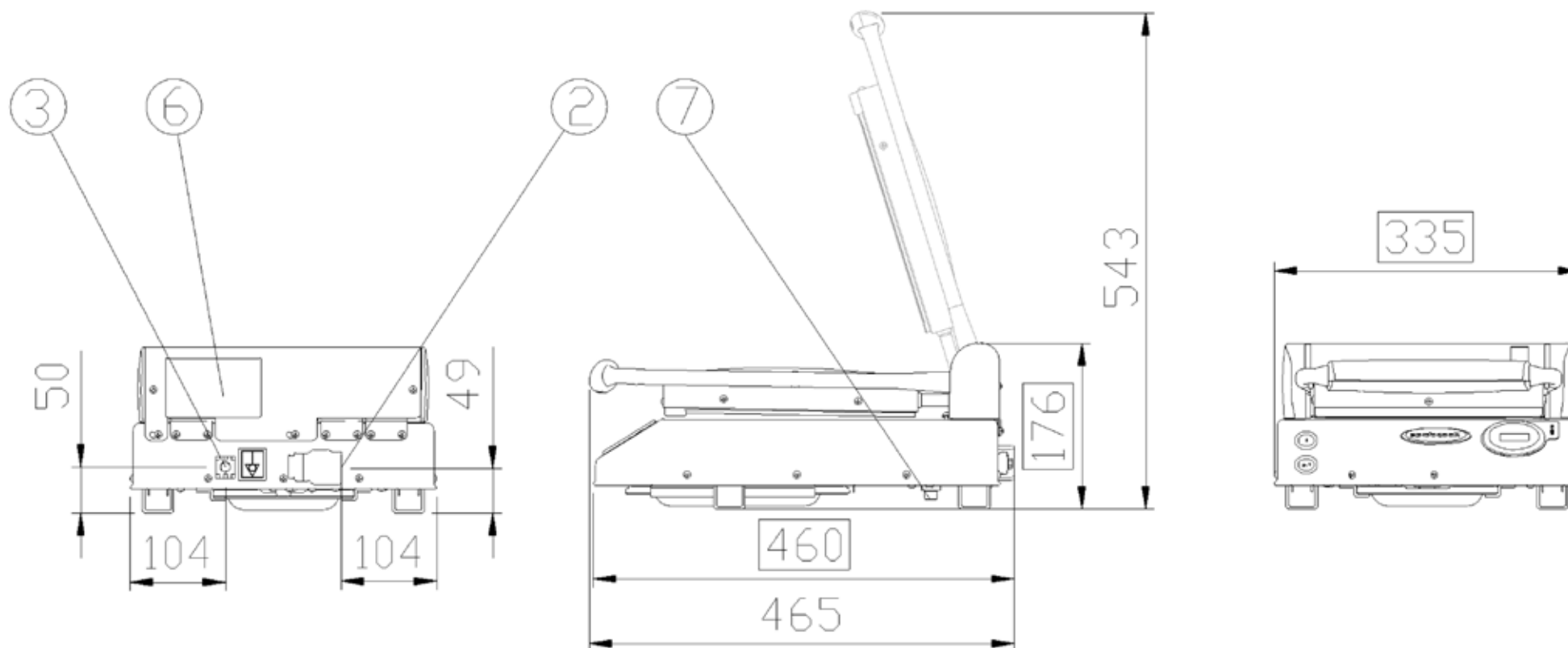
| | |
|---|-------------------------------|
| 2 | BOITE A BORNES D'ALIMENTATION |
| 3 | SUPPORT BORNE EQUIPOTENTIELLE |
| 6 | PLAQUETTE SEGNALETIQUE |
| 7 | THERMOSTAT DE SECURITE |

ESPAÑOL - DISEÑOS

| | |
|---|-------------------------------------|
| 2 | CAJA DE CONEXION |
| 3 | SEDE BORNE EQUIPOTENCIAL |
| 6 | TARJETA DE CARACTERISTICAS TECNICAS |
| 7 | TERMOSTATO DE SEGURIDAD |

DEUTSCH - ZEICHNUNGEN

| | |
|---|---------------------------|
| 2 | ZULEITUNGSKLEMMLEISTE |
| 3 | GLEICHPOTENTIELLE KLAMMER |
| 6 | TYPENSCHILD |
| 7 | SICHERHEITSTHERMOSTAT |



MOD:SP010ER

spidocook™

| ENGLISH | WIRING DIAGRAMS |
|---------|-------------------|
| INT | SWITCH |
| MO | TERMINAL BOARD |
| R | HEATING ELEMENT |
| S | PILOT LIGHT |
| TE | THERMOSTAT |
| TS | SAFETY THERMOSTAT |

| ITALIANO | SCHEMI ELETTRICI |
|----------|----------------------|
| INT | INTERRUTTORE |
| MO | MORSETTIERA |
| R | RESISTENZA |
| S | LUCE SPIA |
| TE | TERMOSTATO LAVORO |
| TS | TERMOSTATO SICUREZZA |

| FRANCAIS | SCHEMAS ELECTRIQ |
|----------|-------------------------|
| INT | INTERRUPTEUR |
| MO | BOITE A BORNES |
| R | RESISTANCE |
| S | LAMPE TMOIN |
| TE | THERMOSTAT DE TRAVAIL |
| TS | THERMOSTAT DE SECURITE' |

| ESPAÑOL | ESQUEMAS ELECTRI |
|---------|-------------------------|
| INT | INTERRUPTOR |
| MO | CAJA CONEXIONES-REGLETA |
| R | RESISTENCIA |
| S | LUZ PILOTO |
| TE | TERMOSTATO DE TRABAJO |
| TS | TERMOSTATO DE SEGURIDAD |

| DEUTSCH | SCHALTPLAN |
|---------|------------------------|
| INT | SCHALTER |
| MO | KLEMMLEISTE |
| R | HEIZELEMENT |
| S | KONTROLLICHT |
| TE | THERMOSTAT |
| TS | SICHERHEITS THERMOSTAT |

