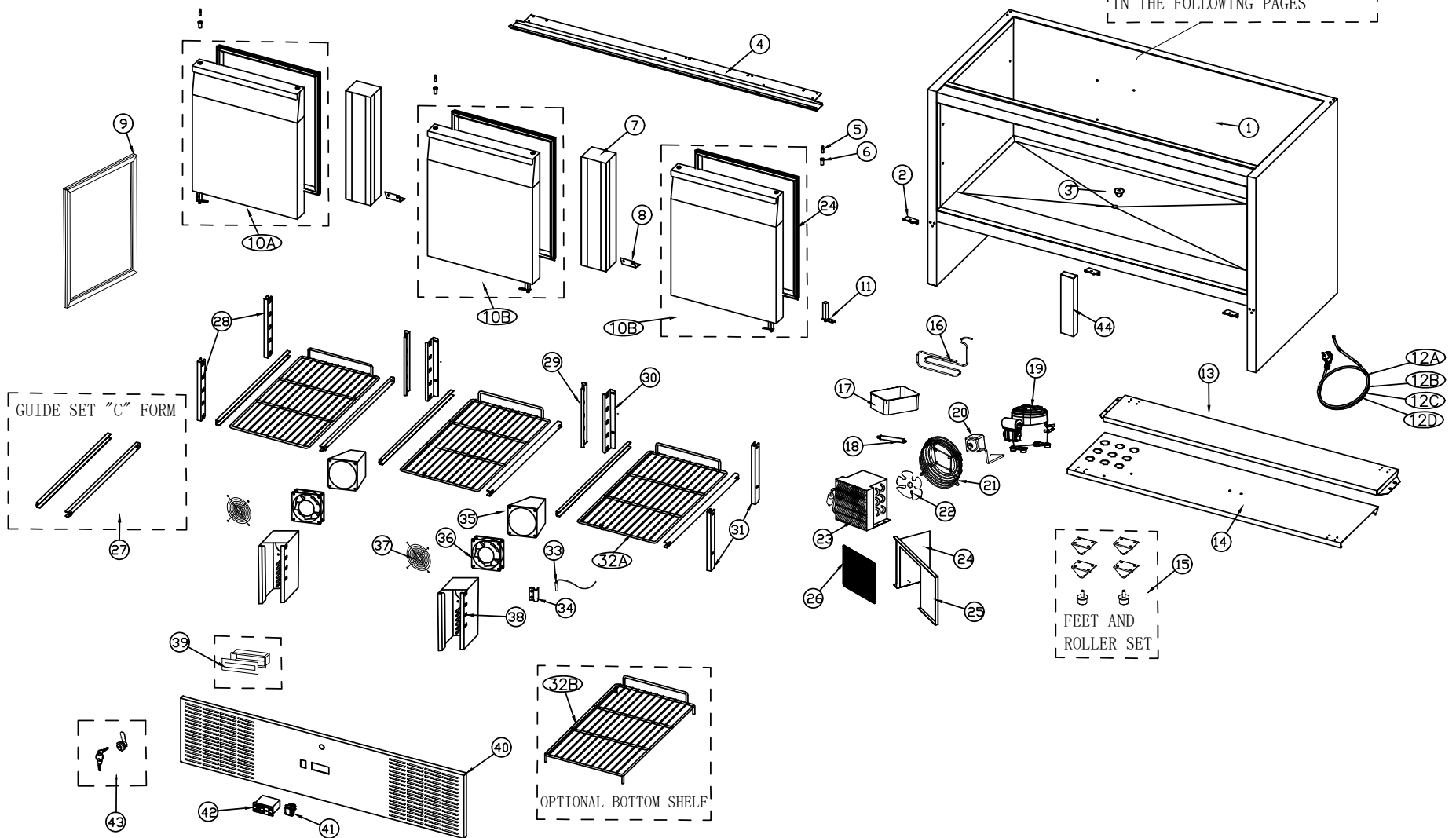
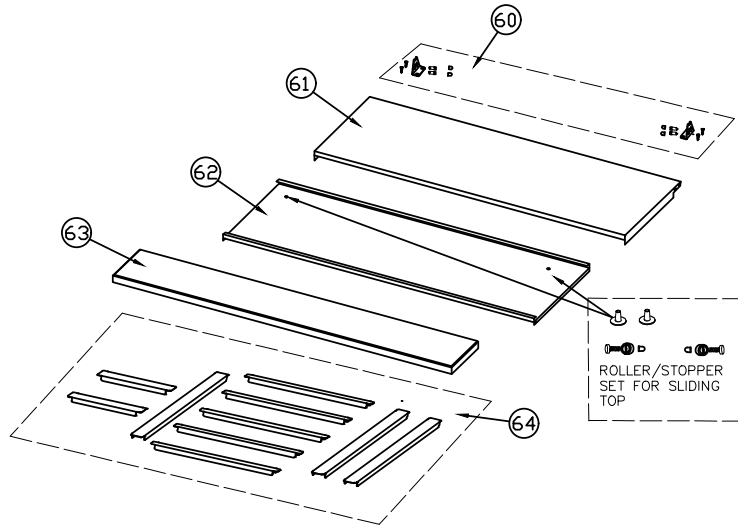


ATT. n. 28/29/30/31/38 DIFFERENT FOR MODEL with DRAWERS

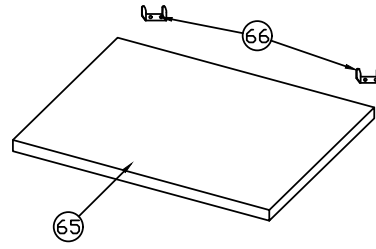
DIFFERENT ALTERNATIVE FOR TOP
IN THE FOLLOWING PAGES



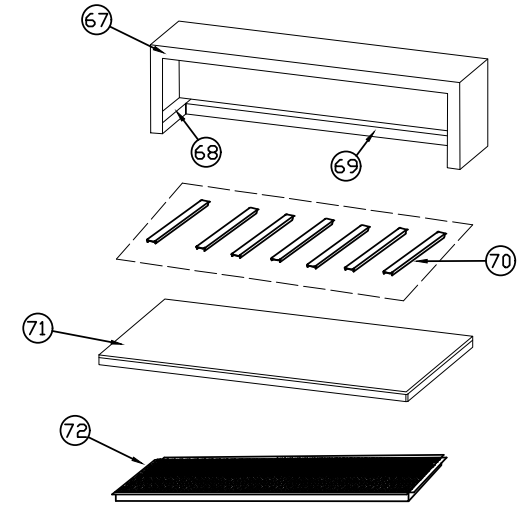
MODEL: CR 93A (4AD4)



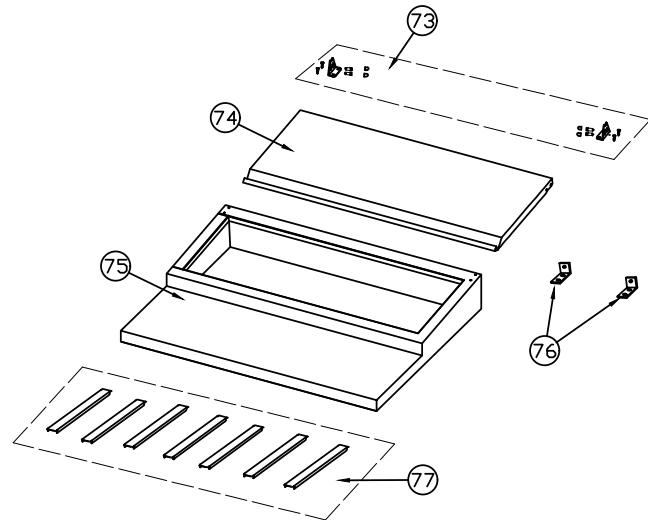
MODEL: CRX 93A (4AD5)



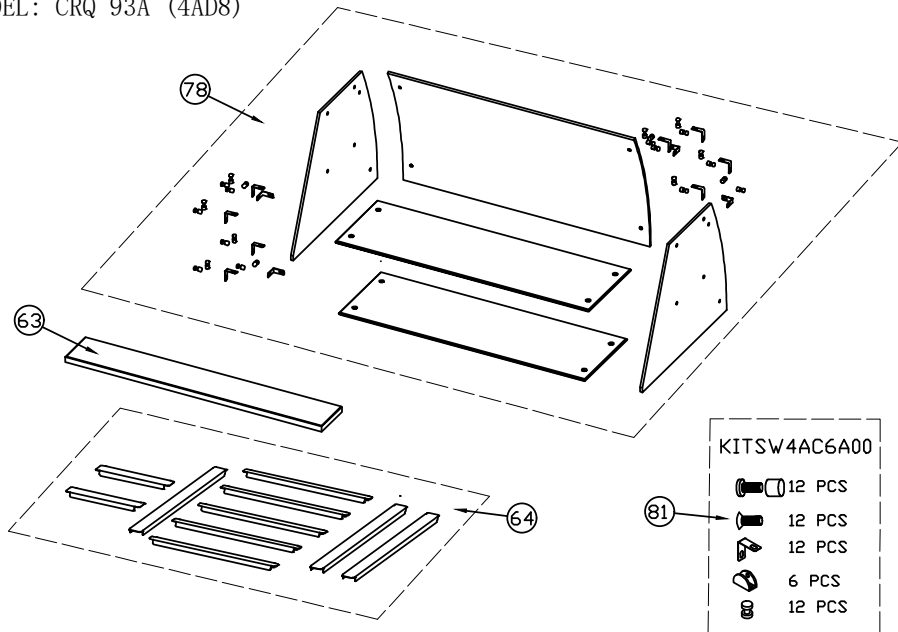
MODEL: CRP 93A (4AD6)



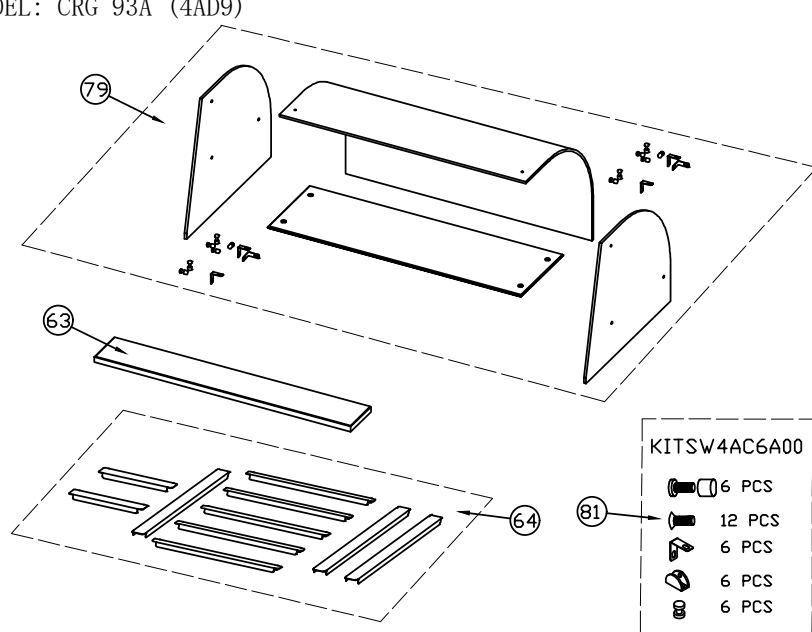
MODEL: CRS 93A (4AD7)



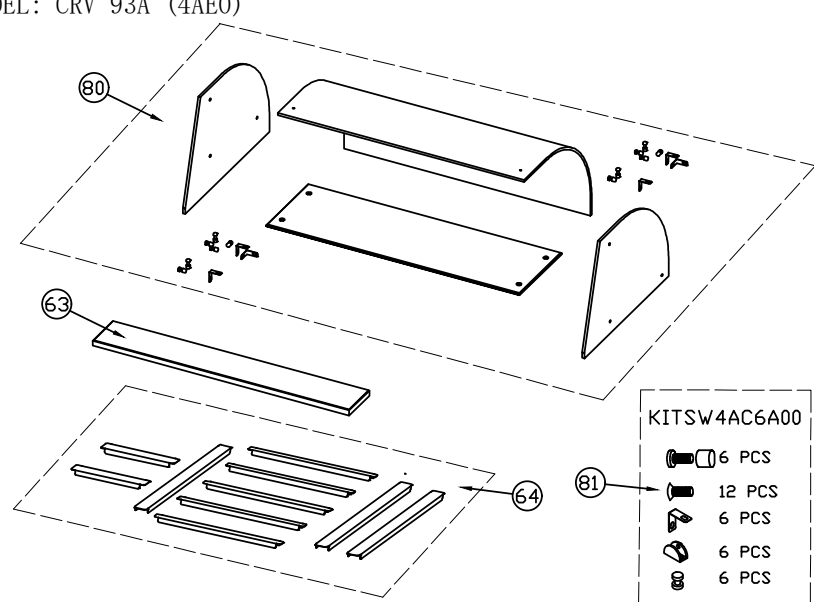
MODEL: CRQ 93A (4AD8)



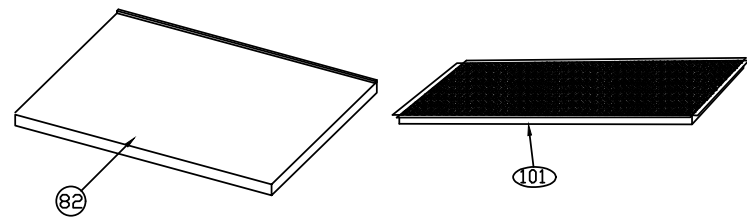
MODEL: CRG 93A (4AD9)



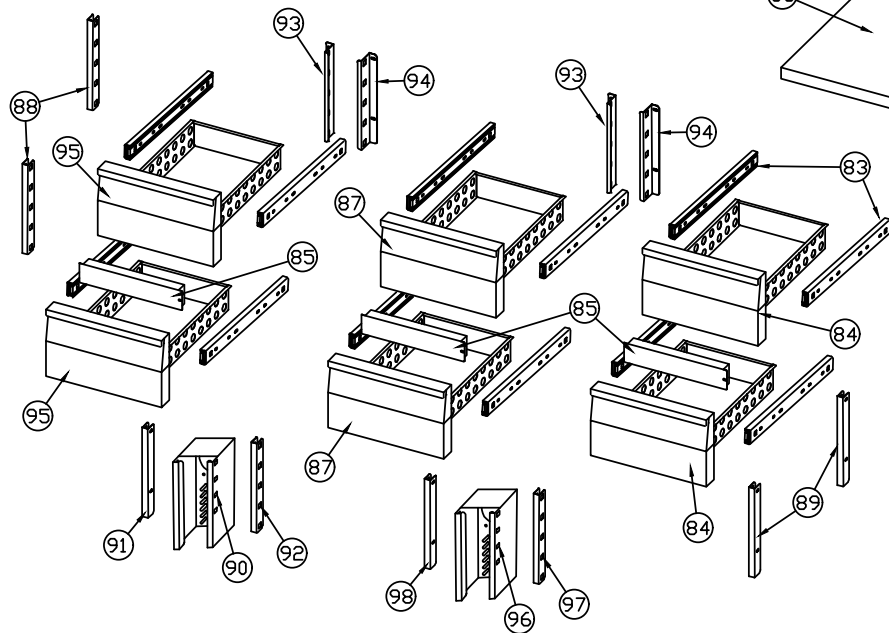
MODEL: CRV 93A (4AE0)



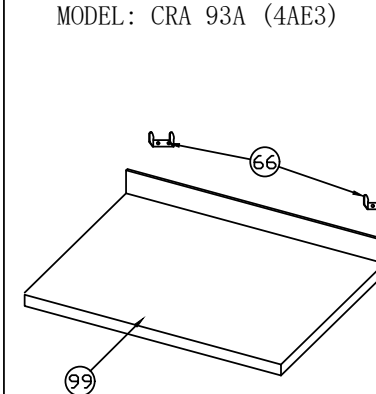
MODEL: CRZ 93A (4AE1)



MODEL: CRD 96A (4AE2)



MODEL: CRA 93A (4AE3)



MODEL: CRM 93A (4AE4)

