



USER INSTRUCTIONS



MULTIFUNCTION OVEN FC 380 **(*304.210)**

You should read these user instructions carefully before using the appliance



Table of contents

Security instructions	15-16
Contents of cardboard packaging	16
Conformity of use	16
Description of the oven	17-19
Way of functioning	19
Functioning and manipulation	19-21
Cleaning and maintenance	21-22
Technical characteristics	22
Norms and legal disposals	22
Elimination of the electric and electronic Waste	22-23
Guarantee	23
Cooking tables	24
Recipes	24-25
Exploded view and part list	26-27

MULTIFUNCTION OVEN FC 380

Congratulations for the acquisition of this upmarket appliance made in France. You chose an appliance which alloys the best technical qualities with a big user-friendliness. We wish you the biggest contentment

1. SECURITY INSTRUCTIONS

Please respect these instructions scrupulously to avoid any risk of fire, electric shock, scald or other wounds and damage. During the use of this appliance, fundamental circumstances of security must always be noticed, such as:

- Take into account the instructions and keep it systematically with the appliance.
- Install the appliance always in instructions respect. A 10 cm distance minimum with the partition or the wall is necessary.
- This machine is for indoor use. Do not use it outdoor.
- Protect the appliance from direct light of the sun, frost and humidity.
- Never leave the appliance within the reach of children or disabled persons without surveillance.
- Never move the appliance when it is working or when the surfaces of cooking are still hot.
- Check that the appliance is definitely off before connecting it up or disconnecting it.
- Do not touch the hot surfaces of the appliance. The temperature of the hot surfaces can be very important when the appliance is working. Always use handles and control knobs.
- Do not use the appliance for other functions than determined use.

- Do not leave the electrical cord in contact of hot surfaces.
- The appliance should not be used close to combustible materials.
- During use, look after not to obstruct neither hearings of aeration of the appliance nor of the built-in frame. Always ensure of the correct ventilation around the oven during use.
- To avoid any electric shock, never plunge the appliance, the cord or plug in water or quite other liquid.
- If the cord is harmed, it must be replaced by the producer, his after sale service or persons of similar skills to avoid any risk.
- Entrust repairs only to a skilled person.
- Use only spare parts of origin.
- At the end of cooking, before cleaning the appliance, do not forget to disconnect it.
- So as to quickly evacuate cooking condensation water, always leave the door open when cooling the oven off.

2. CONTENTS OF CARDBOARD PACKAGING

Device: a oven

Accessories: - 3 grids
 - a stainless steel drip tray
 - the present note

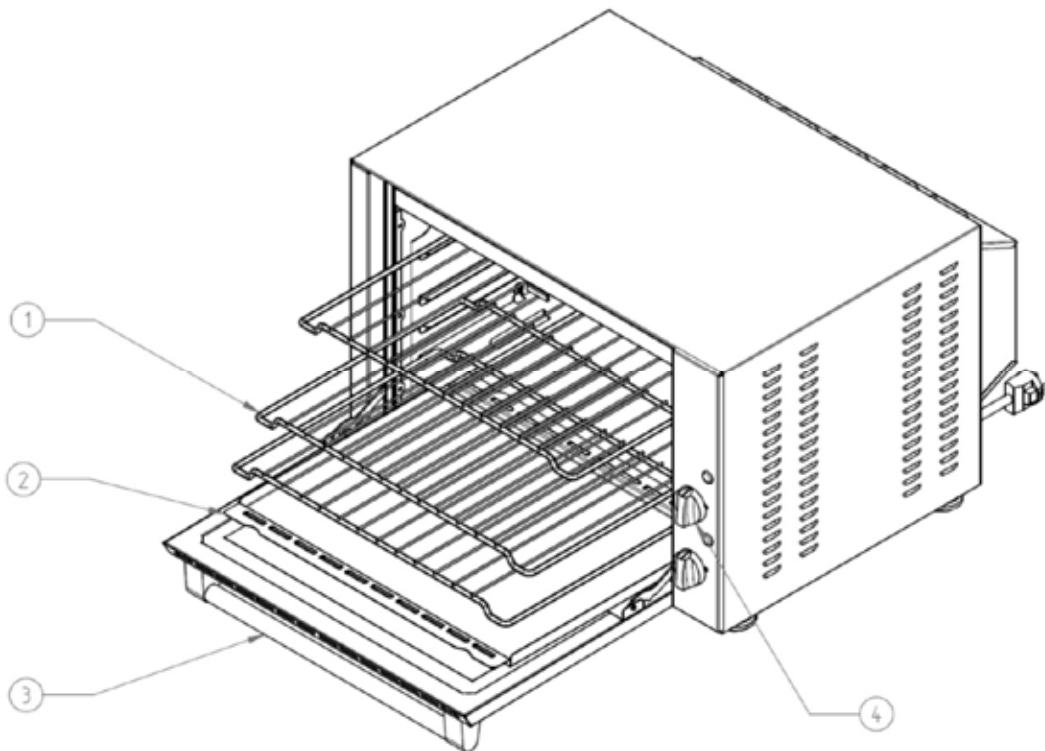
3. CONFORMITY OF USE

Use the multifunction oven to cook, reheat, defrost, every kind of meat plates, chickens, fishes, vegetable, pies, cakes....

4. DESCRIPTION OF THE OVEN

a) Global view

See exploded view of FC 380 at the end of the document.



1 Grid

3 Door handle

2 Stainless steel drip tray

4 Control panel and knobs

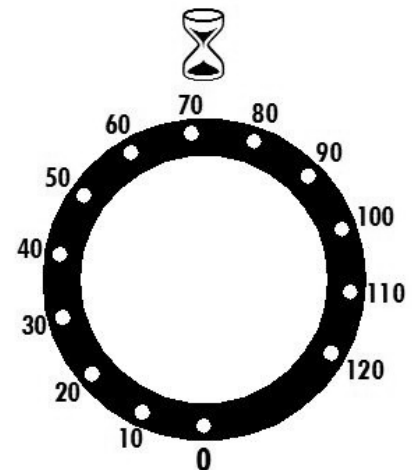
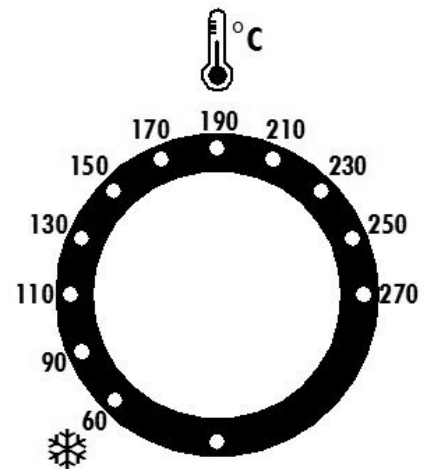
b) Control panel and knobs:

Thermostat: 30 to 270°C

Orange pilot light : Temperature rising
Once it is off, the machine reached the wished temperature and is ready for cooking.

Green pilot light : on/off:
It lights up when the oven is working. The oven does not work until the cooking time is not selected.

Timer : 120 minutes. On/off for convection function



Convection

- The heat comes from the rear heating element integrated to the ventilation system. It is uniformly distributed around the oven by the fan. It is precisely thermostat-regulated.
- The continuous hot air flow allows quick uniform cooking while preserving the flavour and appearance of the food.
- Several different dishes of the same kind can be cooked simultaneously.

c) **Accessories**

The grids

The oven is delivered with 3 reversible cooking grids of 310 x 410 mm enabling you to use the whole height of the oven.

Stainless steel drip tray

The oven is delivered with a stainless steel drip tray. Placed on the bottom level, it enables to catch the cooking juices and fat.

Scales

The oven is fitted with 2 stainless steel scales of 5 levels. They are completely removable to easy inside cleaning of the all stainless steel oven.

Interior lighting

An halogen lamp on the interior of the oven lights up as soon as the oven is switched on and lets you monitor the food you are cooking.

The dimensions of your oven let you use pie dishes up to 31 cm in diameter, as well as rectangular dishes of 31 x 41 cm.

For your safety, the door oven is equipped with a double glass. It allows to have low external temperature even if the inside temperature is high.

5. WAY OF FUNCTIONING

The air is heated by a standalone heating element and pulsed in by means of a fan; it is then uniformly distributed, thereby allowing homogenous, perfect and quick cooking and defrosting.

6. FUNCTIONING / MANIPULATION

a) Installation / assembly:

- Unpack carefully the device of its packaging.
- Place it on a plane and heatproof surface.
- Never place the device near a wall or near a partition makes of combustible materials even if it is very well isolated.
- A distance of minimum 10 cm with the partition or the wall is necessary.
- Remove the labels and protective film around the device. If needed you can use a solvent.

b) First starting:

First cleaning

During the first use, clean the grid, the enamelled drip tray and the spit in warm soapy water.

Warm your machine up for about 30min at 250°C. This may emit a slight smell for a few moments.

Put the ladders on the inner side walls of the oven.

Slide the grids on the level wished.

Connection of the device

- Check that the tension and the frequency of the electricity network suit to the values indicated on the descriptive plate.

- Check that neither the cord nor the plug are damaged. If necessary, it has to be replaced by the manufacturer, its after sale service or any qualified person to avoid any risk.
- Make sure that every control knob is positioned on 0.
- Unwind completely the electric power cable and connect it in a plug connected with the earth.
- The device is connected.

NB: in case of connection of the device in a plug without earth protection or directly on the electricity network, confide its connection to a qualified person .

c) Use of the oven :

Reminder:

The oven will not operate unless a cooking time has been selected.
The oven will automatically switch off when the timer reaches 0.

Putting on

- Turn the timer control to select the desired cooking time.
- Turn the temperature control to select the required temperature.
- For defrosting and keeping food warm turn the temperature control to * .
- Refer to the cooking tables for the times and temperatures.

Stopping the appliance

Place each control knob on 0.
The green pilot light switches off: the oven is off.
Disconnect the power cable.
Let the device cool.
Clean the appliance. (see 6. Cleaning and maintenance)

d) Troubleshooting guide

Your oven does not work

Have you connected it to a power outlet?
Have you checked the circuit breaker for your installation?
Is the timer on?
Is the green pilot light on?

Your oven gives off a lot of smoke: Your cooking temperature is probably too high.

Your oven gets dirty too quickly : Your cooking temperature is too high.

e) Breakdown / repair:

In case of breakdown or of damaged part, please call your after-sales service and confide any technical operation to qualified person.

When you contact the after-sales service of your distributor or your store, give him the complete reference of your device (commercial name, type and serial number). This information appears on the visible descriptive plate behind the device.

7 CLEANING AND MAINTENANCE

a) Assembly and disassembly of the scales

Lift up the scales and pull to release the 2 pins.



To replace the scales, place them on the 2 pins, press slightly and let slide down.



b) Cleaning

- Disconnect the device.
- Clean the external stainless steel walls with a wet sponge and soft and dry clothe
- Remove the grid, the dript tray and the scales.
- Clean them in warm soapy water. The scales can be washed in a dishwasher.
- The inside of your oven can now be easily cleaned with a wet sponge and warm soapy water. Rinse and dry with a soft clothe all the wall of the oven.
- Do not use any abrasive product for the cleaning of your oven.
- Never clean the device under a water jet, the infiltrations would risk to damage it in a irreparable way.
- Never immerse the device, the cord or the plug in the water or quite other liquid to avoid any electric shock.


8. TECHNICAL SPECIFICATIONS

Model	FC 380
Outside dimensions	550x550x355 mm
Inside dimensions	415x350x265 mm
Weight	21 Kgs
Power	2 400 W
Current	10.5 A
Voltage	220-240 V ~

Energy consumption

Convection position

Rising up to 270°C	0.60 kw/h
Maintenance 1 h at 270°C	0.90 kw/h

The equipotential connection marked by this symbol  must be linked with the equipotential conductive connection of your installation.

9. NORMS AND LEGALS DISPOSALS NORMES ET DISPOSITIONS LEGALES

The device is conform to : **EN 60335-1 ; EN 60335-2-36.**

10. ELIMINATION OF THE ELECTRIC AND ELECTRONIC WASTE

The device respects the directives:

2002/96/CE (DEEE) N°34270064800021
 2002/95/CE (ROHS)
 2006/95 CE
 2004/108 CE



Reach rule

Never put the device among household waste.

The device must be put down in a centre of recycling for the electric equipments.

The materials of the device are indeed reusable. By eliminating correctly the electric and electronic wastes, the recycling and quite other shape of re-use of worn equipments, you participate in a significant way in the environmental protection.

For any information about the collection of electric and electronic waste, please contact your distributor.

11. GUARANTEE

Conditions of guarantee

The guarantee applicable to any device is the commercial guarantee of the distributor or the retailer. Please contact the store where you bought your device to know the precise conditions.

The guarantee grants no right for damages.

The dispositions which follow are not exclusive of the profit of the legal guarantee planned by articles 1641 and following ones of the Civil code relative to the defects and the latent defects.

Exclusion clauses of the guarantee

Bad installation and bad maintenance, in particular if they do not respect current regulations or instructions appearing in this user guide.

Cannot benefit from the guarantee the repairs required as a result of false operations, of inappropriate use, of carelessness or of excess loads of the device, as well as those resulting from variations of the power supply, over tension or from defective installations.

The damage due to shocks, bad weather is not flatware by the guarantee. The material travels at the risks of the user; in case of delivery by carrier, the consignee has to have reservations towards the carrier before any delivery of the device.

The guarantee comes to an end in case of intervention, of repair, of modification by no qualified persons, or of use in inappropriate purposes.

12. COOKING TABLE

Convection cooking

Dish	Thermostat	Cooking time
Tarte	0 puis 210°C	25mn
Upside down apple tart	0 puis 230°C	25mn
Cake	230°C	30mn
Clafouti custard pie	0 puis 210°C	25mn
Preheating 2-3mn		
Meringue	60/90°C	25mn
Crème renversée	180/210°C	20mn
Biscuit/cookie	210/230°C	30mn
Fruit soufflé	230°C	12mn
Preheating 2-3mn		
Apple custard flan	230°C	25mn
Kugelhopf	210°C	35mn

Recipes

Mackerel Steam-baked in Foil

Setting : Convection

For 4 people: 4 big mackerels, 4 sheets of aluminium foil; 4 tablespoons of parsley or chervil, finely chopped; 4 dabs of butter; salt; pepper.

Cooking time: 10 to 15 minutes, depending on the size of the fish.

Light the bottom heating element 10 minutes ahead of time. Clean and gut fish. Stuff fish with chopped herbs, a little butter, salt and pepper. Lightly butter aluminium foil. Close foil around each mackerel so that it is completely airtight.

Set top heating element to thermostat setting 8. Put foiled fish onto bottom level of grill. Cook with door closed; do not turn over during cooking.

Serve with a good-quality bottled cider and a warm potato salad seasoned with cream and lemon.

Roast beef

Setting : Convection

One roast beef, 1 to 1.5 kg

Preheat oven to thermostat setting 7.

Put roast in a baking dish. Season with garlic, parsley, a dab of butter, salt and pepper. Place at lowest level. Cook for approximately 1 hr. 15 min.

Meringue

Setting: Convection

Four size 2 eggs (only keep the whites); 225 g of confectioners' sugar.

Preheat oven to thermostat setting 1 for 5 minutes.

Grease an aluminium dish. Draw a 20 cm circle in some wax or greaseproof paper. Place circle in dish. Grease paper. Beat egg whites until stiff. Gradually add sugar to it, until a thick mixture is obtained. Add rest of sugar. Spread mixture onto paper. Place dish in oven at mid-height. Cook until meringue is golden, crispy and slides on the paper. This should take about 1 hr. 30 min. or 2 hrs. of cooking. Cool thoroughly before using.

Sommaire

Consignes de sécurité	3 - 4
Contenu du carton	5
Conformité d'utilisation	5
Descriptif du four multifonction	5 - 7
Mode de fonctionnement	7
Fonctionnement et manipulation	7 - 9
Nettoyage et maintenance	9 - 10
Caractéristiques techniques	10
Normes et dispositions légales	10
Elimination des déchets électriques et électroniques	10-11
Garantie	11
Tableaux de cuisson	12
Recettes	12 - 13
Nomenclature et vue éclatée	26 -27

FOUR MULTIFONCTION FC 380

Félicitations pour l'acquisition de cet appareil de cuisson haut de gamme fabriqué en France! Vous avez choisi un appareil qui allie les meilleures qualités techniques à un grand confort d'utilisation. Nous vous souhaitons la plus grande satisfaction.

1. CONSIGNES DE SECURITE

Veillez respecter scrupuleusement ces consignes pour éviter tout risque d'incendie, de choc électrique, de brûlure ou autres blessures et dommages. Lors de l'utilisation de cet appareil, des précautions fondamentales de sécurité doivent toujours être observées, telles que :

- Tenir compte du mode d'emploi à conserver systématiquement avec l'appareil.
- Installer toujours l'appareil en respectant les consignes. Une distance de 10 cm minimum avec la cloison ou le mur est nécessaire.
- Cet appareil est destiné à une utilisation en intérieur, ne pas l'utiliser en plein air.
- Protéger l'appareil de la lumière directe du soleil et de l'humidité.
- Cet appareil n'est pas prévu pour être utilisé par des personnes (y compris les enfants) dont les capacités physiques, sensorielles ou mentales sont réduites, ou des personnes dénuées d'expérience ou de connaissance, sauf si elles ont pu bénéficier, par l'intermédiaire d'une personne responsable de leur sécurité, d'une surveillance ou d'instructions préalables concernant l'utilisation de l'appareil.
- Ne jamais déplacer l'appareil lorsqu'il est en fonctionnement ou lorsque le four est encore chaud.

- Vérifier que l'appareil est bien en position arrêt (0) avant de le brancher ou de le débrancher.
- La température des surfaces accessibles peut être très élevée lorsque l'appareil est en marche. Utiliser toujours la poignée et les boutons de commande du four.
- Ne pas utiliser l'appareil pour d'autres fonctions que l'utilisation déterminée.
- Ne pas laisser le cordon d'alimentation électrique pendre de tout plan de travail, ou au contact de surfaces chaudes.
- L'appareil ne doit pas être utilisé à proximité de matériaux combustibles.
- Durant l'utilisation, prendre soin de ne pas obstruer les ouïes de ventilation de l'appareil ni celles de sa platine d'encastrement (option). Toujours s'assurer d'une ventilation adéquate autour du four lors de son fonctionnement.
- Pour éviter tout choc électrique, ne jamais plonger l'appareil, le cordon d'alimentation ou la prise dans l'eau ou tout autre liquide.
- Confier les réparations uniquement à une personne qualifiée.
- Utiliser uniquement des pièces de rechange d'origine.
- En fin de cuisson, pour nettoyer l'appareil, ne pas oublier de l'éteindre et le débrancher.
- Afin d'évacuer rapidement les condensas de cuisson, laisser toujours refroidir le four avec la porte ouverte.

2. CONTENU DU CARTON D'EMBALLAGE

Appareil : Un four

Accessoires : 3 grilles réversibles, un plat inox lèche-frite, la présente notice

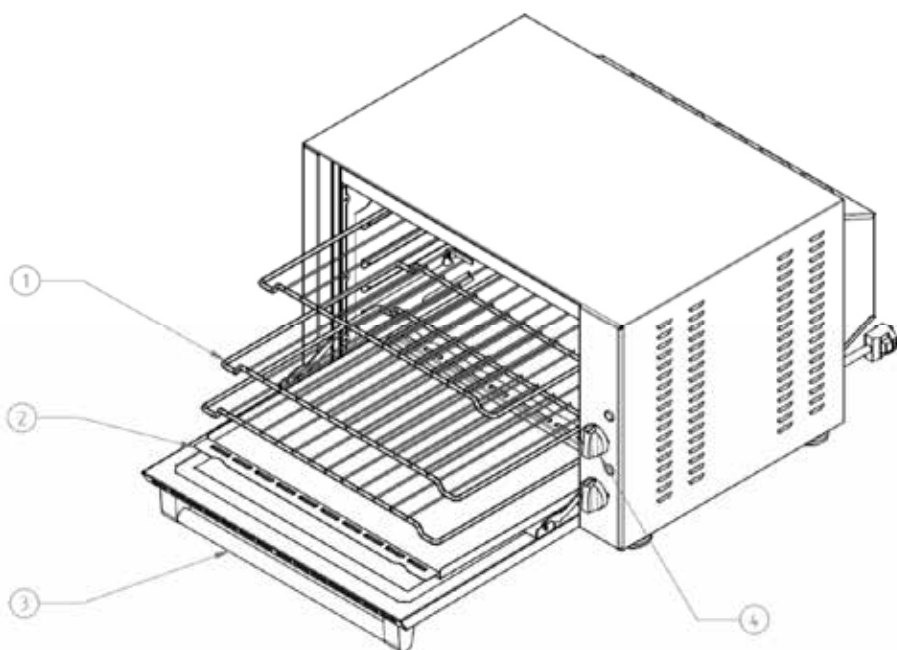
3. CONFORMITE D'UTILISATION

Utiliser le four multifonction pour cuire, réchauffer, décongeler, tout type de plats à viande, volaille, poisson, légumes, gratins, tartes, gâteaux etc.

4. DESCRIPTIF DU FOUR MULTIFONCTION

a) Vue d'ensemble

Cf. vue éclatée détaillée du FC 380 en fin de document.



1 Grilles réversibles

2 Plat

3 Poignée de porte

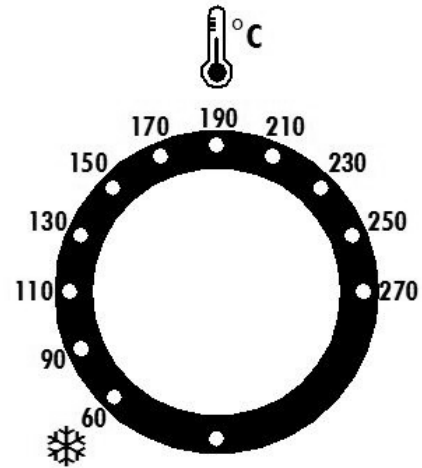
4 Bandeau et boutons de commande

b) Cadran et boutons de commande:

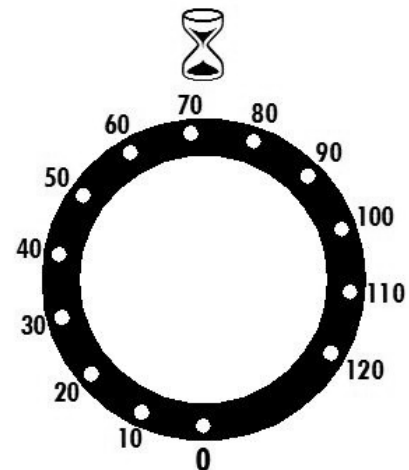
Thermostat: 30 à 270°C

Voyant Orange : Mise en température
Il s'allume à la sélection de la température et s'éteint dès que la température souhaitée est atteinte.

Voyant vert : Mise sous tension
Il s'allume lorsque le four est mis en marche.
Le four ne fonctionne pas tant que le temps de cuisson n'a pas été sélectionné.



Minuterie : 120 minutes marche/arrêt de la fonction chaleur tournante.



Chaleur tournante

- La chaleur provient de la résistance arrière intégrée au système de ventilation. Elle est distribuée uniformément dans l'enceinte du four grâce au ventilateur. Elle est régulée de façon très précise grâce au thermostat.
- Le flux continu d'air chaud permet d'obtenir une cuisson rapide et homogène tout en préservant les saveurs et la texture des aliments.
- Plusieurs plats d'une même famille de produits peuvent cuire simultanément.

c) **Les accessoires**

Les Grilles

Le four est livré avec 3 grilles de cuisson réversible de 310 x 410 mm vous permettant d'exploiter la hauteur du four en totalité.

Plat inox

Le four est livré avec un plat inox. Positionné sur le niveau le plus bas, il permet de recueillir les graisses ou miettes pendant la cuisson.

Echelles

Le four est équipé de 2 échelles inox de 5 niveaux. Elles sont totalement amovibles pour faciliter l'entretien de l'intérieur tout inox du four.

L'éclairage intérieur

Une lampe halogène positionnée à l'intérieure du four s'allume dès la mise en service du four et vous permettra de suivre parfaitement la cuisson de vos aliments.

Votre four, de par ses dimensions, peut recevoir des plats à tarte jusqu'à 31 cm de diamètre mais aussi des plats rectangulaire de 31 x 41 cm

Pour votre sécurité la porte de votre four est équipée d'une double vitre traitée. Celle-ci permet d'obtenir des températures extérieures faibles malgré une température intérieure très élevée.

5. MODE DE FONCTIONNEMENT

L'air est chauffé par une résistance circulaire et pulsé dans le four au moyen d'un ventilateur. Celui-ci répartit uniformément la chaleur et permet une cuisson parfaitement homogène ainsi qu'une décongélation rapide et parfaite.

6. FONCTIONNEMENT / MANIPULATION

a) Installation/Montage :

- Déballer soigneusement l'appareil de son carton.
- Placer le four sur une surface plane et résistante à la chaleur.
- Ne jamais placer l'appareil près d'un mur ou d'une cloison fait de matériaux combustibles même s'il est très bien isolé.
- Une distance de 10 cm minimum avec la cloison ou le mur est nécessaire.
- Retirer toute étiquette et tout film de protection autour de l'appareil. Pour retirer d'éventuels rubans adhésifs ou étiquettes, utiliser un solvant type acétone ou d'autres solvants.

b) Première mise en service :

Premier entretien

Lors de la 1^{ère} utilisation, laver les grilles et le plat dans de l'eau chaude savonneuse. Sécher ces ustensiles soigneusement.

Faire chauffer votre four pendant 30 min environ à 250°C. Ceci peut dégager une légère odeur pendant quelques instants.

Installer les échelles sur les parois intérieures et latérales du four.

Glisser les grilles sur les niveaux souhaités.

Branchement de l'appareil

- Contrôler que la tension et la fréquence du réseau électrique concordent avec les valeurs indiquées sur la plaque signalétique visible derrière le four.
- Vérifier toujours l'absence de dommage sur le câble ou la fiche d'alimentation électrique.
- S'assurer que chaque bouton de commande est bien positionné sur 0.
- Dérouler entièrement le câble d'alimentation électrique et le brancher dans une prise reliée à la terre.
- L'appareil est branché.

NB : En cas de branchement de l'appareil à une prise sans fil de protection ou directement au réseau électrique, confier le branchement de l'appareil à une personne qualifiée.

c) Utilisation de l'appareil :

Rappel :

Le four ne fonctionne pas tant qu'un temps de cuisson n'a pas été sélectionné.
Le four s'éteint automatiquement dès que la minuterie revient à 0.

Mise en marche

- Tourner la minuterie sur le temps de cuisson souhaité.
- Tourner le thermostat sur la température désirée.
- Pour la décongélation ou le maintien au chaud des aliments, positionner le thermostat sur * .
- Vérifier les temps et températures de cuisson adéquats dans les tableaux de cuisson.

Arrêt de l'appareil

Positionner chaque bouton de commande sur 0.
Le voyant vert est éteint : le four est arrêté.
Débrancher le câble d'alimentation électrique.
Laisser refroidir l'appareil.
Nettoyer l'appareil. (cf. 6. Nettoyage et maintenance)

d) Guide de dépannage

Votre four ne fonctionne pas :

- Avez vous bien branché la prise de courant ?
- Avez vous vérifié le disjoncteur de votre installation ?
- La minuterie est-elle actionnée ?
- Le voyant vert est-il allumé?

Votre four dégage beaucoup de fumée : Votre température de cuisson est probablement trop élevée.

Votre four se salit très rapidement : Votre température de cuisson est trop élevée.

e) Panne/Réparation :

En cas de panne ou de pièce endommagée, veuillez faire appel à votre service après vente et confier toute opération technique à une personne qualifiée.

Lorsque vous contactez le service entretien de votre Distributeur ou de votre magasin, donnez-lui la référence complète de votre appareil (désignation commerciale, type et numéro de série). Ces renseignements figurent sur la plaque signalétique visible à l'arrière de l'appareil.

7 NETTOYAGE ET MAINTENANCE

a) Montage et démontage des échelles

Soulever les échelles puis tirer pour dégager les 2 pions.



Pour remettre les échelles, poser les sur les 2 pions puis exercer une légère pression et laisser glisser vers le bas.



b) Procédure d'entretien

- Débrancher l'appareil.
- Nettoyer les parois inox extérieures de l'appareil avec une éponge humide et un chiffon doux et sec.
- Retirer les grilles, le plat inox et les échelles.
- Les nettoyer avec de l'eau chaude et savonneuse. Les échelles sont lavables en machine.
- L'intérieur inox peut être désormais nettoyé facilement avec une éponge humide et un peu de liquide vaisselle. Puis essuyer avec un chiffon doux et humide toutes les parois du four.
- Ne pas utiliser de produit abrasif pour l'entretien de votre four.
- Ne jamais nettoyer l'appareil sous un jet d'eau, les infiltrations risqueraient de l'endommager de façon irrémédiable.
- Ne jamais immerger l'appareil, le cordon ou la fiche dans l'eau ou tout autre liquide pour éviter tout choc électrique.

8. CARACTERISTIQUES TECHNIQUES

Modèle	FC 380
Dimensions externes	550x550x355 mm
Dimensions internes	415x350x265 mm
Poids	21 Kgs
Puissance	2 400 W
Ampère	10.5 A
Voltage	220-240 V ~

Consommation d'énergie

Position Chaleur tournante

Montée à 270°C	0.60 kw/h
Maintien 1 h à 270°C	0.90 kw/h

Les bornes équipotentielles repérées par le logo suivant à la liaison équipotentielle de votre installation électrique.



doivent être raccordées

9. NORMES ET DISPOSITIONS LEGALES

L'appareil est conforme aux normes suivantes : **EN 60335-1 ; EN 60335-2-36.**

10. ELIMINATION DES DECHETS ELECTRIQUES ET ELECTRONIQUES

L'appareil respecte les directives :

- 2002/96/CE (DEEE) N°34270064800021
- 2002/95/CE (ROHS)
- 2006/95 CE
- 2004/108 CE



Ne pas jeter l'appareil parmi les déchets ménagers. L'appareil doit être déposé dans un centre de recyclage pour les équipements électriques.

Les matériaux de l'appareil sont en effet réutilisables. En éliminant correctement les déchets électriques et électroniques, le recyclage et toute autre forme de réutilisation d'équipements usagés, vous participez de façon significative à la protection de l'environnement.

Pour toute information sur la collecte des déchets électriques et électroniques, veuillez contacter votre distributeur.

11. GARANTIE

Conditions de garantie

La garantie qui s'applique sur tout appareil est la garantie commerciale du distributeur ou du revendeur. Veuillez contacter le magasin où vous avez acheté votre appareil pour en connaître les conditions précises.

La garantie n'octroie aucun droit à des dommages et intérêts.

Les dispositions qui suivent ne sont pas exclusives du bénéfice de la garantie légale prévue par les articles 1641 et suivants du Code Civil relatifs aux défauts et vices cachés.

Clauses d'exclusion de la garantie

Mauvaise installation et mauvais entretien, notamment s'ils ne respectent pas les réglementations en vigueur ou les instructions figurant dans ce manuel d'utilisation.

Ne peuvent bénéficier de la garantie les réparations nécessitées par suite de fausses manœuvres, d'usage inapproprié, d'utilisation à des fins professionnelles, de négligences ou de surcharges de l'appareil, ainsi que celles résultant de variations de l'alimentation électrique, de surtensions ou d'installations défectueuses.

Les dégâts dus à des chocs, des intempéries ne sont pas couverts par la garantie. Le matériel voyage aux risques de l'utilisateur ; en cas de livraison par transporteur, le destinataire doit émettre des réserves vis-à-vis du transporteur avant toute livraison de l'appareil.

La garantie prend fin en cas d'intervention, de réparation, de modification par des personnes non qualifiées, ou d'utilisation à des fins inappropriées.

12. TABLEAU DE CUISSON

Cuisson Chaleur Tournante

Plats cuisinés	Thermostat	Temps de cuisson
Tarte	0 puis 210°C	25mn
Tarte tatin	0 puis 230°C	25mn
Cake	230°C	30mn
Clafoutis	0 puis 210°C	25mn
Préchauffage 2-3mn		
Meringue	60/90°C	25mn
Crème renversée	180/210°C	20mn
Biscuit	210/230°C	30mn
Soufflé au fruits	230°C	12mn
Préchauffage 2-3mn		
Flan aux pommes	230°C	25mn
Kugelhopf	210°C	35mn

Recettes

Maquereaux en papillotes

Réglage: Chaleur tournante

Pour 4 personnes: 4 beaux maquereaux, 4 feuilles de papier alu, 4 cuillerées à soupe de persil et cerfeuil hachés, 4 noisettes de beurre, sel, poivre.

Temps de cuisson : 10 à 15 minutes selon les poissons.

Allumer la sole 10 minutes avant. Mettre , à l'intérieur de chaque poisson nettoyé et vide, les herbes hachées, un peu de beurre, du sel et du poivre. Beurrez également très légèrement le papier alu, puis y enfermer très hermétiquement les maquereaux.

Allumer la voûte (thermostat 230°C). Poser les papillotes sur la grille, à l'étage inférieur, et laisser cuire, sans retourner et porte fermée. Servir avec un bon cidre bouché et une salade de pommes de terre tiède à la crème et au citron.

Roast beef

Réglage: Chaleur tournante

Un rôti de bœuf de 1 kg à 1.5 kg.

Mettre le rôti dans un plat. Assaisonner avec de l'ail, du persil, une noix de beurre, saler, poivrer.

Placer au niveau le plus bas. Cuire (thermostat 210°C) pendant 1 heure 1/4 environ.

Meringue

Réglage: Chaleur tournante

4 œufs taille 2 dont on ne conservera que le blanc.

225 g de sucre glace.

Préchauffer le four pendant 5 minutes (thermostat 60°C).

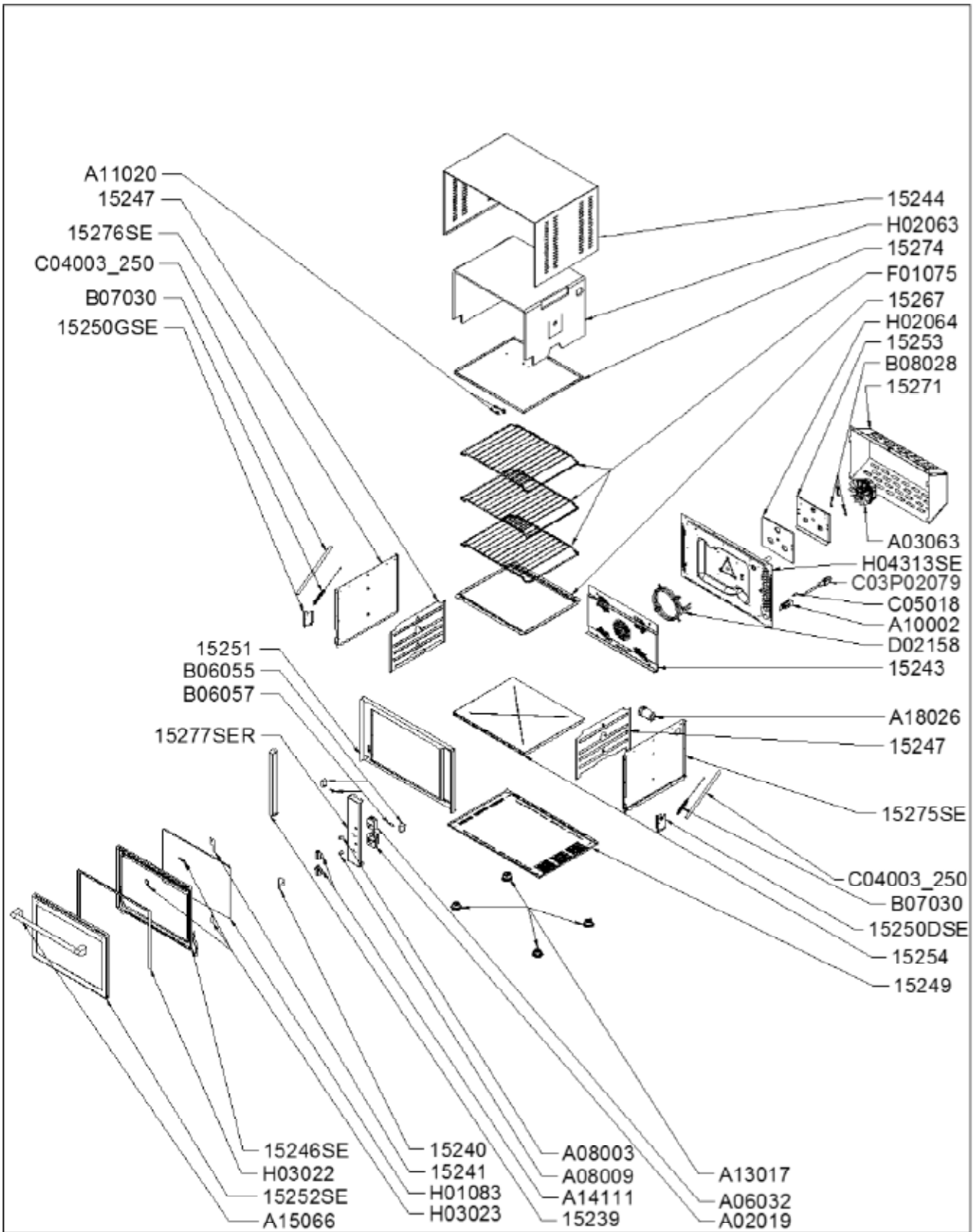
Graisser 1 plat en aluminium. Dessiner un cercle de 20 cm dans une feuille de papier sulfurisé et le placer dans le plat. Graisser le papier. Battre les blancs d'œufs jusqu'à ce qu'ils montent en neige. Y ajouter progressivement la moitié du sucre jusqu'à l'obtention d'un mélange pâteux. Mettre ensuite le reste du sucre. Reprendre la pâte sur la feuille de papier. Placer le plat dans le four à mi-hauteur. Cuire jusqu'à ce que la meringue devienne dorée, craquante et qu'elle glisse sur le papier, soit environ 1 h 30 à 2 h de cuisson. Laisser refroidir complètement avant utilisation.

CODE	QTE	PIECE	SPARE PART
15239	1	BANDEAU GAUCHE TQ 380/FC 280	LEFT PANEL TQ 380
15240	1	BLOCAGE GLACE DROIT TQ 380	RIGHT GLASS BLOCK TQ 380
15241	1	BLOCAGE GLACE GAUCHE TQ 380	LEFT GLASS BLOCK TQ 380
15243	1	CACHE TURBINE TQ 380/FC 380 TQ	FAN PROTECTION TQ 380/FC 380 TQ
15244	1	CEINTURE TQ 380 I / FC 380 TQ	CASING TQ 380 I / FC 380 TQ
15246SE	1	S/E CONTRE PORTE TQ 380/FC 380 TQ	INNER DOOR ASSEMBLY TQ 380/FC 380 TQ
15247	2	ECHELLE GAUCHE /DROITE TQ 380-FC 380 TQ	LEFT/RIGHT SCALE TQ 380 -FC 380 TQ
15249	1	FOND DE SOCLE TQ 380/FC 380 TQ	BOTTOM CASE TQ 380/FC 380 TQ
15250DSE	1	S/E GUIDE COMPAS PORTE DROIT TQ 380	RIGHT COMPASS DOOR GUIDE AND AXLE AND WHEEL
15250GSE	1	S/E GUIDE COMPAS PORTE GAUCHE TQ 380	LEFT COMPASS DOOR GUIDE AND AXLE AND WHEEL
15251	1	PLATINE TQ 380/FC 380 TQ	FRAME TQ 380/FC 380 TQ
15252SE	1	PORTE + GLACE EXTERIEURE TQ 380/FC 380TQ	OUTSIDE DOOR ASSEMBLY TQ 380/FC 380TQ
15253	1	PROTECTION MOTEUR TQ 380	MOTOR PROTECTION TQ 380
15254	1	SOCLE TQ 380/FC 380 TQ	PEDESTAL TQ 380/FC 380 TQ
15267	1	PLAT FC 380 TQ	TRAY FC 380 TQ
15271	1	FOND ARRIERE FC 380 TQ	BACK REAR FC 380 TQ
15274	1	VOUTE FC 380	TOP INSIDE CASING FC 380
15275SE	1	S/E FLASQUE DROITE FC 380	RIGHT SIDE ASSEMBLY FC 380
15276SE	1	S/E FLASQUE GAUCHE FC 280	LEFT SIDE ASSEMBLY FC 280
15277SER	1	S/E BANDEAU DROIT FC 380/FC 280 + SERIGRAHIE	RIGHT PANEL FC 380/FC 280 SCREEN PRINTED
A02019	1	MINUTERIE 120 mm	TIMER 120 mm
A03063	1	MOTEUR DE VENTILATION TQ 380 AXE LONG 220V-240V 50/60hz	VENTILATION MOTOR TQ 380
A08032	1	THERMOSTAT	THERMOSTAT
A08003	1	VOYANT ORANGE DIAM 12	ORANGE PILOT LIGHT DIAM 12
A08009	1	VOYANT VERT DIAM 12	GREEN PILOT LIGHT DIAM 12
A10002	1	SERRE CABLE	CORD CLOSER
A11020	2	ATTACHE RAPIDE	RAPID STRAP
A13017	4	PIED	FOOT
A14111	2	BOUTON ELECT Diam 40 PLAT 6 H	ELECTRIC KNOB Diam 40 6 H
A15066	1	POIGNEE FC 380 TQ	HANDLE FC 380 TQ
A18026	1	LAMPE FOUR	LAMP OVEN
B06055	2	SUPPORT AXE PORTE	DOOR AXLE HOLDER
B06057	2	AXE PORTE	DOOR AXLE
B07030	2	RESSORT PORTE FOUR	DOOR SPRING OVEN
B08028	3	RONDELLE SAV 17 FOUR	SLICE SAV 17 OVEN
C 03P02079	1	CORDON	CORD
C 04003_25	1	GAINE DE VERRE DIAM 12 FC 380 TQ	SHEATH DIAM 12 FC 380 TQ
C05018	1	BORNE EQUIPOTENTIEL	EQUIPOTENTIAL TERMINAL
D02158	1	RESISTANCE CIRCULAIRE 2400 W 230 V	ARMOURED HEATING ELEMENT 2400 W 230 V
F01075	3	GRILLE TQ 380/FC 380 TQ	GRID TQ 380/FC 380 TQ
H01083	1	VITRE INTERIEURE TQ 380/FC 380 TQ	INSIDE GLASS TQ 380/FC 380 TQ
H02063	1	ISOLANT FOUR TQ 380	INSULATION TQ 380
H02064	1	ISOLANT MOTEUR	MOTOR INSULATION
H03022	1	JOINT PORTE TQ 380/FC 380 TQ	SEAL TQ 380/FC 380 TQ
H03023	3	JOINT INTERIEUR PORTE TQ 380	INSIDE DOOR SEAL TQ 380
H04313SE	1	FOND DE CUVE FC 380 TQ	BACK INSIDE CASING FC 380 TQ

FC 380

Nomenclature

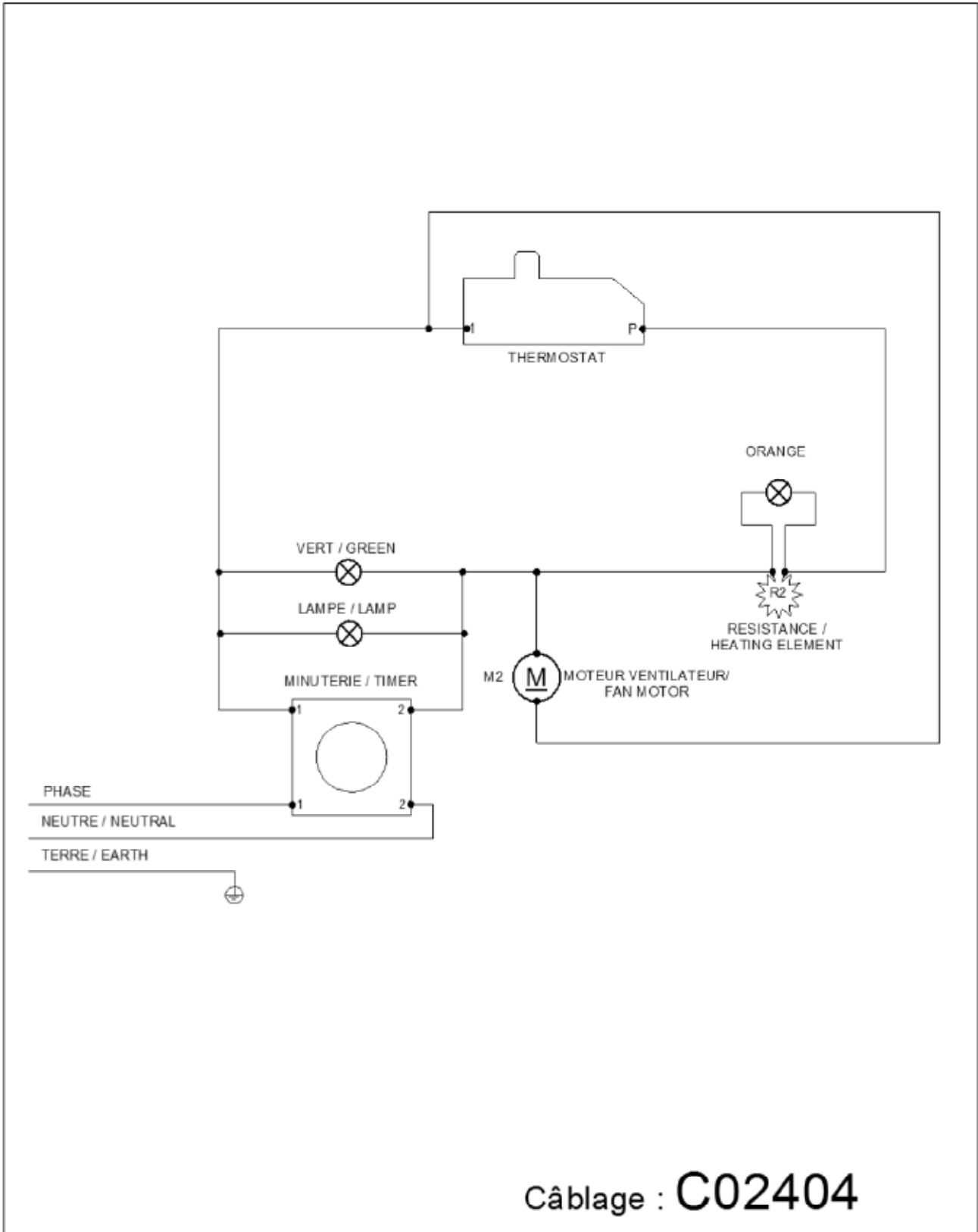
DT44	Date :	Dessiné par :	Approuvé par :	Date :	Indice
	02/12/2014	C.Gu	J.Godéré	04/03/2015	



FC 380

Vue éclatée

DT44	Date :	Dessiné par :	Approuvé par :	Date :	Indice
	02/12/2014	C.Gu	Grenon S.	04/03/2015	



FC 380				Schéma électrique	
DT44	Date : 02/12/2014	Dessiné par : C.Gu	Approuvé par : Grenon S.	Date : 02/12/2014	Indice A

G03331