



<b>UK</b>	<b>FRYERS</b> Installation-Use-Maintenance
<b>FR</b>	<b>FRITEUSES</b> Installation-Emploi-Entretien
<b>DE</b>	<b>FRITEUSE</b> Installation-Gebrauch-Wartung
<b>NL</b>	<b>FRITEUSES</b> Installatie-Gebruik-Onderhoud



*MOD.*

_60/30 FRG	_65/40 FRG	_70/40 FRG 13	_90/40 FRG 13
_60/60 FRG	_65/70 FRG	_70/70 FRG 13	_90/40 FRG 22
_60/30 FRE...	_65/41 FRE...	_70/40 FRE 10...	_90/80 FRG 13
_60/60 FRE...	_65/41 FRE/P...	_70/40 FRE/P 10...	_90/80 FRG 22
	_65/71 FRE...	_70/70 FRE 10...	_90/40 FRE 15
_60/30 FRE10-D	_65/71 FRE/P...	_70/70 FRE/P 10...	_90/80 FRE 15
_60/60 FRE10-D			
	_65/40 FRE10-D		
	_65/70 FRE10-D		

Doc.n°	252.444.00
Edition	00

## UK - INSTALLATION – USE - MAINTENANCE

### I. GENERAL PRESCRIPTIONS



READ THIS MANUAL CAREFULLY. IT PROVIDES IMPORTANT INFORMATION FOR SAFE INSTALLATION, USE AND MAINTENANCE OF THE APPLIANCE.



FAILURE TO COMPLY WITH WHAT IS PRESENTED BELOW MAY COMPROMISE THE SAFETY OF THE EQUIPMENT.



THE MANUFACTURER WILL NOT BE LIABLE FOR ANY DAMAGE OR INJURY RESULTING FROM FAILURE TO OBSERVING THE FOLLOWING RULES.



TRANSLATION OF THE ORIGINAL INSTRUCTIONS.



APPLIANCES NEED PRECAUTIONS FOR INSTALLATION, PLACING AND/OR FIXATION AND CONNECTION TO THE MAINS. SEE SECTION "INSTALLATION INSTRUCTIONS".



THE APPLIANCES NEED PRECAUTIONS FOR CLEANING. SEE THE SECTION "INSTRUCTION FOR CLEANING".



THE SYMBOL "HIGH VOLTAGE" IS PLACED ON A PANEL THAT GIVES ACCESS TO A PART WITH HIGH VOLTAGE.



THIS EQUIPMENT IS DESIGNED FOR COMMERCIAL SETTINGS, FOR EXAMPLE RESTAURANT KITCHENS, CANTEENS, HOSPITALS OR COMMERCIAL ENTERPRISES SUCH AS BAKERIES, BUTCHERIES ECT. BUT IT IS NOT DESIGN FOR MASS PRODUCTION OF FOOD.



THESE PIECES OF EQUIPMENT ARE DESIGNED FOR FOOD FRYING AND FOR PROFESSIONAL USE. OTHER USES ARE NOT APPROPRIATE.



DO NOT CLEAN THE EQUIPMENT WITH DIRECTS WATER JETS, HIGH PRESSURE OR STEAM CLEANER.



RESTORE THE OIL BATH WHENEVER IT FALLS BELOW THE MIN. LEVEL, MARKED BY THE SPECIAL REFERENCE NOTCH. (DANGER OF FIRE).



**FOR BETTER PERFORMANCE OF THE APPLIANCE, REGULARLY CHANGE THE OIL USED. OVERUSING AN OIL REDUCES ITS FLASHPOINT AND INCREASES ITS TENDENCY TO BOIL SUDDENLY.**



**MIND THE EFFECTS THAT MOIST FOOD OR THE BIG QUANTITY OF FOOD MIGHT HAVE ON THE SUDDEN BOILING OF OIL.**

Keep this manual in a safe place, known to all users, so that it can be consulted throughout the working life of the appliance.

This equipment is designed for cooking food. It is intended for industrial use. Any other use is to be considered improper

This appliance is not intended for use by people (including children) with limited physical, sensory or mental abilities or without experience and knowledge of it.

Unless they are supervised or instructed in its use by a person responsible for their safety.

Do not leave de appliance unattended in presence of children and ensure that the latter do not have acces to the appliance.

The appliance must be used by trained personnel. Do not leave the appliance unattended when operating.



**DO NOT STORE " AMMABLE MATERIALS IN CLOSE PROXIMITY TO THE APPLIANCE. FIRE HAZARD.**

The appliance must be installed in a well-ventilated room.

Inadequate ventilation causes asphyxia. Do not obstruct the ventilation system of the place where the appliance is installed. Do not obstruct the vents or ducts of this or other appliances.

In the event of an appliance fault or malfunction, shut the gas shut-off valve and/or switch the appliance off at the main switch installed upline.

Installation and conversion to a different type of gas must be carried out by qualified technicians authorized by the manufacturer, in compliance with current safety standards and the instructions in this manual.

Appliance maintenance and conversion to a different type of gas must be carried out by qualified technicians authorized by the manufacturer, in compliance with current safety standards and the instructions in this manual.

Clean the appliance following the instructions given in Chapter "INSTRUCTIONS FOR CLEANING".

## 1. DISPOSAL OF PACKING AND OF THE APPLIANCE

### PACKING

- The packing is made using environmentally friendly materials. The plastic recyclable components are:
- the transparent cover, the bags containing the instructions manual and nozzles (made of Polyethylene - PE).
- the straps (in Polypropylene - PP).

### APPLIANCE

- The appliance is manufactured 90% from recyclable metals (stainless steel, aluminium sheet, copper... ..).
- The appliance must be scrapped in compliance with current regulations governing such disposal.
- Make the appliance unusable before scrapping.
- It must be disposed of properly.



THE SYMBOL SHOWING A CROSSED-OUT WASTE CONTAINER ON THE UNIT OR PACKAGE INDICATES THAT, AT THE END OF ITS LIFE CYCLE, THE PRODUCT MUST BE COLLECTED SEPARATE FROM OTHER WASTE.

THE DIFFERENTIATED COLLECTION OF THIS EQUIPMENT IS ORGANISED AND MANAGED BY THE PRODUCER.

THE USER WHO INTENDS TO GET RID OF THIS EQUIPMENT SHALL CONTACT THE PRODUCER AND FOLLOW THE SYSTEM THAT THE LATTER HAS USED IN ORDER TO COLLECT THE EQUIPMENT SEPARATELY AT THE END OF ITS LIFE. PROPER SEPARATE COLLECTION HELPS PREVENT POSSIBLE NEGATIVE IMPACTS ON THE ENVIRONMENT AND HEALTH, AND FAVOURS THE

**REUSE AND/OR RECYCLING OF THE UNIT'S MATERIALS.**

**ABUSIVE DISPOSAL OF THE PRODUCT BY THE HOLDER WILL RESULT IN THE APPLICATION OF PENALTIES AS PER CURRENT STANDARDS.**

## 2. SAFETY DEVICES

### SAFETY THERMOSTAT

- The manufacturer will not be liable for any damage or injury resulting from failure to observing the following rules.
- The appliance is equipped with a manual reset safety thermostat that interrupts heating when the operating temperature exceeds the maximum permitted value.



**TO RESTORE APPLIANCE OPERATION, OPEN THE DOOR AND PRESS THE THERMOSTAT RESET BUTTON. THIS PROCEDURE MUST ONLY BE CARRIED OUT BY A QUALIFIED, AUTHORIZED TECHNICIAN.**

## II. INSTRUCTIONS FOR INSTALLATION

### 3. REMINDERS FOR THE INSTALLER



**READ THIS MANUAL CAREFULLY. IT PROVIDES IMPORTANT INFORMATION FOR SAFE INSTALLATION, USE AND MAINTENANCE OF THE APPLIANCE.**



**FAILURE TO COMPLY WITH WHAT IS PRESENTED BELOW MAY COMPROMISE THE SAFETY OF THE EQUIPMENT.**



**THE MANUFACTURER WILL NOT BE LIABLE FOR ANY DAMAGE OR INJURY RESULTING FROM FAILURE TO OBSERVING THE FOLLOWING RULES.**

- Identify the specific appliance model. The model number is detailed on the packing and on the
- appliance dataplate.
  - The appliance must be installed in a well-ventilated room.
  - Installation and conversion to a different type of gas must be carried out by qualified technicians authorized by the manufacturer, in compliance

with current safety standards and the instructions in this manual.

- Appliance maintenance and conversion to a different type of gas must be carried out by qualified technicians authorized by the manufacturer, in compliance with current safety standards and the instructions in this manual.
- Do not obstruct any air vents or drains present on the appliance.
- Do not tamper with appliance components.

#### 4. REFERENCE STANDARDS AND LAWS

- Install the appliance in accordance with the safety standards in force in the country.

#### 5. UNPACKING

- Check the state of the packing and in the event of damage, ask the delivery person to inspect the goods.
- Remove the packing.
- Remove the protective film from the outer panels. Use a suitable solvent to remove any residual adhesive from the panels.

#### 6. POSITIONING

The overall dimensions of the appliance and the position of connections are given on the installation diagram at the end of this manual.

- The appliance can be installed singly or in combination with other appliances in the same product range.
- The appliance is not suitable for integrated installation.
- Position the appliance at least 10 cm from adjacent walls.
- If the appliance is to be placed near walls, dividers, kitchen furniture, decorative elements etc. this must be made of non-combustible materials

Otherwise, they must be covered with suitable non-combustible heat insulating materials. Level the appliance by means of the height-adjustable feet

#### **APPLIANCE ASSEMBLY WITH BASE AND BRIDGE**

Follow the instructions provided with the type of

support utilized.

#### **FUMES EXHAUST SYSTEM**

Create a fumes exhaust system based on the " Type " of appliance. The " Type " is stated on the appliance dataplate.

#### **" A1 " TYPE APPLIANCE**

Position the "A1" type appliance below an extractor hood to ensure smoke and fumes generated by cooking are removed.

#### **" B21 " TYPE APPLIANCE**

Position the "B21" type appliance below an extractor hood.

#### **" B11 " TYPE APPLIANCE**

Fit the "B11" type appliance with a suitable flue, available from the appliance manufacturer. Follow the assembly instructions provided with the flue.

Connect the flue to a 150/155 mm diameter hose, heat resistant to 300°C.

Vent to the outside or into an efficient flue. The hose length must not exceed 3 metres.

#### **VENTILATION**

The rooms in which gas appliances are installed must be well ventilated in order to allow correct gas combustion and ventilation.

The air flow necessary for combustion is at least 2 m<sup>3</sup>/h for each kW of rated power.

#### 7. CONNECTIONS

The position and dimensions of connections are given in the installation diagram at the end of this manual.

#### **CONNECTION TO THE GAS SUPPLY**

- Check that the appliance is designed to operate with the type of gas supply present on site. Check the information given on the decals on the packing and appliance.
- Convert the appliance to the local gas type, if necessary. Follow the instructions at the next paragraph "Conversion to a different type of gas".

- On top appliances a rear connection is also available. Remove the plug present and screw it tightly onto the front connector.
- A rapid-action gas shut-off valve must be fitted upstream of the appliance in an easily accessible position.
- Do not use connection pipes having a diameter smaller than that of the appliance's gas connector.
- Once the appliance has been installed, check for gas leaks at the connection points.


### **ELECTRICAL CONNECTIONS**


- Check if the appliance is designed to operate at the voltage and frequency of the power supply present on site. Check the details given on the appliance dataplate and plaque near the terminal board.
- Install upstream of the equipment in an easily accessible place, an all-pole disconnecting device with a contact gap of allowing full disconnection under the conditions of overvoltage category III.
- A flexible rubber cable with insulation specifications not lower than type H05 RN-F must be used for connection.
- Connect the power supply cable to the terminal board as shown in the wiring diagram supplied with the appliance.
- Secure the power supply cable with the cable clamp.
- Protect the power supply cable on the outside of the appliance with a rigid plastic or metal pipe.
- If the power supply cable is damaged, it must be replaced by the manufacturer or his service centre or by a person with similar qualifications to prevent any risk.



**THE SYMBOL " HIGH VOLTAGE " IS PLACED ON A PANEL THAT GIVES ACCESS TO A PART WITH HIGH VOLTAGE.**

### **PROTECTIVE EARTH AND EARTH BONDING CONNECTIONS**

Connect the appliance to an efficient ground circuit. Connect the earth conductor to the terminal with the symbol  next to the main terminal board.

Connect the metal structure of the appliance to the equipotential node. Connect the conductor to the terminal with the symbol  on the outside part of the bottom.

### **CONNECTION TO THE WATER SUPPLY**

- The appliance must be connected to a potable water supply. The water inlet pressure must be between 150 kPa and 300 kPa. Use a pressure reducer if the inlet pressure is above the maximum permitted level.
- Install a mechanical filter and a shut-off valve upstream of the appliance in an easily accessible point.
- Make sure the water circuit is free of ferrous particles before connecting the filter and the appliance.
- Seal any unused connectors with a plug.
- Once the appliance has been installed, check for gas leaks at the connection points.

### **CONNECTION TO THE WATER DRAIN**

The water drainage system must be made using materials resistant to temperatures of 100 °C. The bottom of the appliance must not be subjected to steam produced by drainage of hot water. Install a siphoned floor drain with grating below the water drain cock of Boiling pans and in front of Bratt pans.



## **8. CONVERSION TO ANOTHER TYPE OF GAS**

Table Tab1 specifies:

- which gas can be used for the appliance.
- the nozzles and settings for each gas that can be used.
- For nozzles, the number indicated in table TAB1 is also stamped on the body of nozzles.
- To convert the appliance to the local gas type, follow the instructions given in TAB1 and carry out the steps below:
  - Replace the main burner nozzle (UM).
  - Adjust the main burner's air regulator to distance A.
  - Replace the pilot burner nozzle (UP).
  - Adjust the pilot burner air flow (if necessary).
  - Replace the gas valve minimum nozzle (Um).
  - Affix the adhesive tab indicating the new type of gas used.
- The nozzles and adhesive tabs are supplied with the appliance.

### **REPLACING THE NOZZLE AND THE MAIN BURNER PRIMARY AIR REGULATION**

- Slacken screw V.
- Remove nozzle UM (fitted to air regulator Z) and replace it with the one indicated in table TAB1.
- Retighten nozzle UM (fitted to air regulator Z).
- Adjust air regulator Z to distance A as shown in table TAB1.
- Retighten screw V fully.
- Reassemble all parts. For assembly, proceed in reverse order.

### REPLACING THE PILOT BURNER NOZZLE

- Remove the front panel.
- Open the door.
- Undo connector R.
- Remove nozzle UP and replace it with the one indicated in table TAB1.
- Retighten connector R. Reassemble all parts.
- Following, in reverse order, the sequence used for their removal.

## 9. COMMISSIONING

Following installation, conversion to a different type of gas or any maintenance operations, check appliance operation. In the event of any malfunction, consult the next Paragraph " Troubleshooting " .

### GAS APPLIANCES

- Switch on the appliance as directed in the instructions and reminders for use given in Chapter " INSTRUCTIONS FOR USE " and check:
- the gas supply pressure (see next Paragraph).
- the correct ignition of the burners and the effectiveness of the fumes removal system.

### CHECKING THE GAS SUPPLY PRESSURE

- To measure the gas supply pressure use a manometer with a minimum definition of 0,1 mbar.
- Remove the control panel.
- Remove the screw from on pressure test point PP and connect the manometer to the test point.
- Make the measurement with the appliance in operation.



**IMPORTANT! IF THE GAS SUPPLY PRESSURE IS NOT WITHIN THE LIMITS (MIN. - MAX) INDICATED IN TABLE TAB2,**

**CEASE OPERATION OF THE APPLIANCE AND CONTACT THE GAS UTILITY COMPANY.**

Disconnect the manometer and retighten the retaining screw on the pressure connection.

### ELECTRIC EQUIPMENT

Switch on the appliance as directed in the instructions and reminders for use given in Chapter " INSTRUCTIONS FOR USE " and check: the current values of each phase. the correct operation of the heating elements.

## III. INSTRUCTIONS FOR USE

### 10. REMINDERS FOR THE USER



**READ THIS MANUAL CAREFULLY. IT PROVIDES IMPORTANT INFORMATION FOR SAFE INSTALLATION, USE AND MAINTENANCE OF THE APPLIANCE. THE MANUFACTURER WILL NOT BE LIABLE FOR ANY DAMAGE OR INJURY RESULTING FROM FAILURE TO OBSERVING THE FOLLOWING RULES.**



For after-sales service, contact technical assistance centres authorized by the manufacturer and demand the use of original spare parts. Have the appliance serviced at least twice a year. The manufacturer recommends taking out a service contract.

The appliance is designed for professional use and must be operated by trained personnel.

The appliance is to be used for cooking food as specified in the prescriptions for use. Any other use is considered to be improper.

Do not allow the appliance to operate empty for prolonged periods. Only pre-heat the oven just before use.

Do not leave the appliance unattended while in operation.

In the event of an appliance fault or malfunction, shut the gas shut-off valve and/or switch the appliance off at the main switch installed upline.

Clean the appliance following the instructions given in Chapter " INSTRUCTIONS FOR CLEANING " .



**DO NOT STORE " AMMABLE MATERIALS IN CLOSE PROXIMITY TO THE APPLIANCE. FIRE HAZARD.**

Do not obstruct any air vents or drains present on the appliance.

Do not tamper with appliance components.

Keep this manual in a safe place, known to all users, so that it can be consulted throughout the working life of the appliance.

Installation and appliance maintenance must be carried out by qualified technicians authorized by the manufacturer, in compliance with current safety standards and the instructions in this manual.

Appliance maintenance and conversion to a different type of gas must be carried out by qualified technicians authorized by the manufacturer, in compliance with current safety standards and the instructions in this manual.

## 11. FRYER USE

This appliance must only be used for its expressly designed purpose; i. e. for frying foods in oil or solid fat. Any other use is to be considered improper.

Particularly voluminous and non-drained foods can cause splattering of hot oil.

Restore the oil bath whenever it falls below the min. level, marked by the special reference notch.

Before introducing oil in the tank, make sure it does not contain water.

Fill the well until the water is level with the maximum level indicated on the wall of the well.

Do not use the appliance with the water level above the maximum indicated level.

When using solid fat, melt it separately then pour it in the tank. Do not leave fat in the tank at the end of cooking.

Place the basket with food to be cooked, slowly in the boiling oil, making sure that the froth formed does not spill over the edge of the tank. If this occurs, stop dipping the basket for a few seconds. Do not activate the heating system when there is no oil or fat in the well.

Do not use the appliance empty or in conditions that compromise its optimum efficiency.

Restore the oil bath whenever it falls below the min. level, marked by the special reference notch. (danger of fire).

For better performance of the appliance, regularly change the oil used. Overusing an oil reduces its flashpoint and increases its tendency to boil suddenly.

The appliance is equipped with a manual reset safety thermostat that interrupts heating when the operating temperature exceeds the maximum permitted value.

Do not exceed the maximum limit of food load

indicated on the technical data plate.

### **TANK TOP VERSION FILLING AND EMPTYING**

#### **FILLING**

The top version equipments don't have a frontal drain located on the control panel.

Make sure the drain is closed, lever totally turned right.

Fill the well until the water is level with the maximum level indicated on the wall of the well.

Do not use the appliance with the water level above the maximum indicated level.

#### **EMPTYING**

Switch the burners off.

Emptying the tanks should be done at cold oil.

The container where hot foods are emptied must be large enough and of heat resistant material.

The 600 and 700 series equipments are provided with frontal drain and drainpipe with bayonet cap.

Turn the lever clockwise. The drain is fully open when the handle is totally turned left. If is necessary empty the tank more times.

### **FLOOR VERSION TANK FILLING AND EMPTYING**

#### **FILLING**

- Turn handle of the drain valve anticlockwise. The drain is completely closed only when the handle is in the horizontal position.
- Fill the well until the water is level with the maximum level indicated on the wall of the well. Do not use the appliance with the water level above the maximum indicated level.

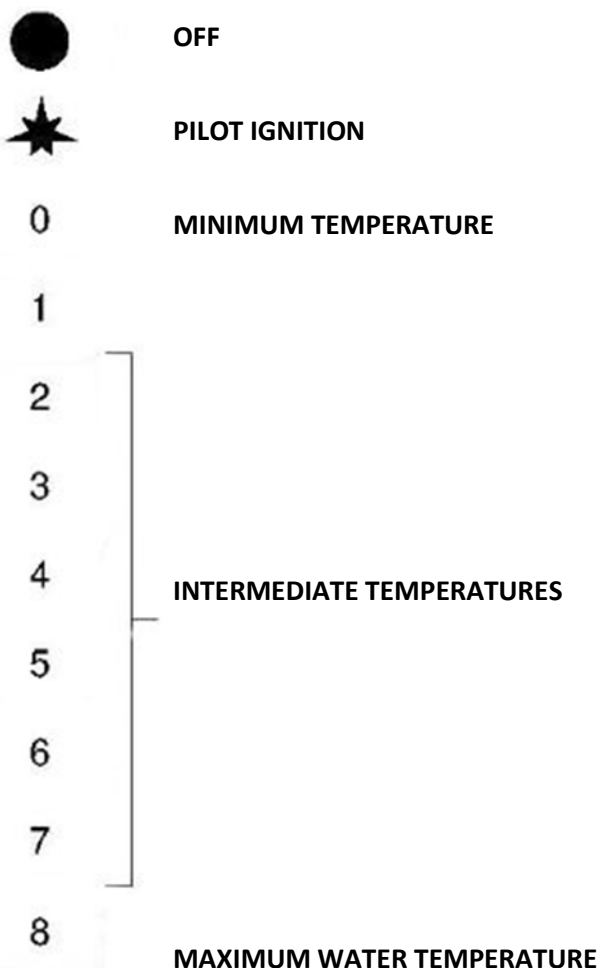
#### **EMPTYING**

- Switch the burners off.
- Emptying the tanks should be done at cold oil.
- The container where hot foods are emptied must be large enough and of heat resistant material.
- Turn the handle of the drain valve clockwise. The drain is completely open when the handle is in the vertical position. If you need to empty the container several times.

## GAS FRYERS

### BURNER IGNITION AND EXTINCTION

The gas valve control knob has the following positions:



### PILOT IGNITION

- Turn the knob to position " pilot on " .
- Press the push button " pilot on " right down and, holding it pressed, press the piezoelectric lighter push button at the same time. The pilot flame lights automatically.
- Check that the flame is lit through the holes on the appliance panel.
- Keep the valve push button pressed for 10-15 seconds to heat the thermocouple and then let it go.
- Repeat this operation if the burner goes out.

### MAIN BURNER IGNITION

- Turn the knob to the chosen temperature setting for cooking.

### TURNING OFF

- To switch the main burner off, turn the knob to position " pilot on " .
- To turn off the pilot push the button " off " , then release it.

### ELECTRIC FRYERS

### BURNER IGNITION AND EXTINCTION

The control knob has the following positions:



### SWITCHING ON

Turn the knob to the chosen temperature setting for cooking.

The green indicator light switches on. the green lamp indicate that the appliance is under voltage

The yellow indicator light switches on.

The yellow indicator light switches off when the oven reaches the set temperature.

### TURNING OFF

Turn the knob to position "0".

## 12. PROLONGED DISUSE

Before any prolonged disuse of the appliance, proceed as follows:

- Clean the appliance thoroughly.
- Rub stainless steel surfaces with a cloth soaked in vaseline oil to create a protective film.
- Close cocks or main switches ahead of the appliances.



Following prolonged disuse, proceed as follows:

- Inspect the appliance thoroughly before using it again.
- Allow electric appliances to operate at the lowest temperature for at least 60 minutes.

#### IV. INSTRUCTIONS FOR CLEANING

##### 13. REMINDERS FOR CLEANING



**READ THIS MANUAL CAREFULLY. IT PROVIDES IMPORTANT INFORMATION FOR SAFE INSTALLATION, USE AND MAINTENANCE OF THE APPLIANCE.**



**THE MANUFACTURER WILL NOT BE LIABLE FOR ANY DAMAGE OR INJURY RESULTING FROM FAILURE TO OBSERVING THE FOLLOWING RULES.**



**DISCONNECT THE APPLIANCE ELECTRIC SUPPLY, IF PRESENT, BEFORE CARRYING OUT ANY OPERATION.**

- Clean the satin finish stainless steel exterior surfaces, the cooking wells and the surface of the hotplates every day.
- At least twice a year, have an authorized technician clean the internal parts of the appliance.
- Do not use corrosive products to clean the floor beneath the appliance.
- Do not use direct or high pressure water jets to clean the appliance.

##### **SATIN FINISH STAINLESS STEEL SURFACES**

- Clean the surfaces with a cloth or sponge using water and proprietary non-abrasive detergents. Follow the direction of the satin finish lines. Rinse repeatedly and dry thoroughly.
- Do not use pan scourers or other iron items.
- Do not use chemical products containing chlorine.
- Do not use sharp objects which might scratch and damage the surfaces.

##### **THE COOKING WELLS**

- Clean the wells by bringing the water to the boil, with the addition of grease remover detergent if necessary.

- Remove any limescale deposits with a proprietary limescale remover.

#### V. INSTRUCTIONS FOR MAINTENANCE

##### 14. REMINDERS FOR THE MAINTENANCE TECHNICIAN



**THE MANUFACTURER WILL NOT BE LIABLE FOR ANY DAMAGE OR INJURY RESULTING FROM FAILURE TO OBSERVING THE FOLLOWING RULES.**

Identify the specific appliance model. The model number is detailed on the packing and on the appliance dataplate.

The appliance must be installed in a well-ventilated room.

Do not obstruct any air vents or drains present on the appliance.

Do not tamper with appliance components.

Appliance maintenance and conversion to a different type of gas must be carried out by qualified technicians authorized by the manufacturer, in compliance with current safety standards and the instructions in this manual.

##### 15. CONVERSION TO ANOTHER TYPE OF GAS

See Chapter “ Instructions for installation “.

##### 16. COMMISSIONING

See Chapter “ Instructions for installation “.

##### 17. TROUBLESHOOTING

##### **GAS FRYERS**

##### **THE PILOT BURNER DOES NOT LIGHT.**

Possible causes:

- Insufficient gas supply pressure.
- Blocked tubing or nozzle.
- Defective gas tap or valve.
- Igniter defective or not properly connected.
- Igniter or igniter wire defective.
- Safety thermostat tripped or faulty.

#### **PILOT BURNER GOES OUT DURING USE.**

Possible causes:

- Insufficient gas supply pressure.
- Defective gas tap or valve.
- Defective thermocouple or insufficient heating.
- Thermocouple incorrectly connected to gas tap or valve.
- Knob of gas tap or valve not pressed sufficiently.
- Safety thermostat tripped or faulty.

#### **THE MAIN BURNER DOES NOT LIGHT (EVEN THOUGH PILOT IS LIT).**

Possible causes:

- Insufficient gas supply pressure.
- Blocked tubing or nozzle.
- Defective gas tap or valve.
- Defective burner (gas outlet holes clogged).

#### **HEATING CANNOT BE ADJUSTED.**

Possible causes:

- Defective gas valve.
- Temperature thermostat defective.

#### **ELECTRIC FRYERS**

##### **THE APPLIANCE DOES NOT HEAT.**

Possible causes:

- Temperature thermostat defective.
- Heating elements defective.

##### **HEATING CANNOT BE ADJUSTED.**

Possible causes:

- Temperature thermostat defective.

## 18. REPLACING COMPONENTS

### **REMINDERS FOR REPLACING COMPONENTS**



**SHUT THE GAS SHUT-OFF VALVE AND/OR SWITCH THE APPLIANCE OFF AT THE MAIN SWITCH INSTALLED UPSTREAM.**



**AFTER REPLACING A GAS SYSTEM COMPONENT, CHECK FOR GAS LEAKS AT CONNECTION POINTS.**



**DISCONNECT THE APPLIANCE ELECTRIC SUPPLY, IF PRESENT, BEFORE CARRYING OUT ANY OPERATION.**



**AFTER REPLACING AN ELECTRICAL SYSTEM COMPONENT, CHECK IT IS CORRECTLY WIRED.**

#### **GAS FRYERS**

##### **REPLACING THE GAS VALVE AND SAFETY THERMOSTAT.**

- Empty the well completely.
- Open the door.
- Remove the control panel.
- Remove the bulb from its seat on the well.
- Remove and replace the component.
- Change the sensor/bulb sealing O-Ring in the well.
- Reassemble all parts. For assembly, proceed in reverse order.

##### **REPLACING THE NOZZLE AND THE MAIN BURNER PRIMARY AIR REGULATION**

- Slacken screw V.
- Remove nozzle UM (fitted to air regulator Z) and replace it with the one indicated in table TAB1.
- Retighten nozzle UM (fitted to air regulator Z).
- Adjust air regulator Z to distance A as shown in table TAB1.
- Retighten screw V fully.
- Reassemble all parts. For assembly, proceed in reverse order.

##### **REPLACING THE PILOT BURNER AND THERMOCOUPLE.**

- Open the door.
- Remove the control panel.

- Remove and replace the component.
- Reassemble all parts. For assembly, proceed in reverse order.

### **ELECTRIC FRYERS**

#### **REPLACING THE HEATING ELEMENT**

- raise the heating element in vertical position
- remove the lower protection panel
- disconnect the heating elements
- Remove and replace the component.
- Reassemble all parts. For assembly, proceed in reverse order.

#### **SUBSTITUTION OF THE LAMP**

- Remove the control panel.
- Remove and replace the component.
- Reassemble all parts. For assembly, proceed in reverse order.

#### **REPLACING THE WORKING THERMOSTAT.**

- Remove the control panel.
- Remove the bulb from its seat on the well.
- Remove and replace the component.
- Reassemble all parts. For assembly, proceed in reverse order.

## 19. CLEANING THE INTERIOR

- Check the condition of the inside of the appliance.
- Remove any built-up dirt.
- Check and clean the fumes exhaust system.

## 20. MAIN COMPONENTS

### **GAS FRYERS**

- Gas valve
- MAIN BURNER
- Pilot burner
- Thermocouple
- Igniter

- Piezoelectric ignition
- Safety thermostat

### **ELECTRIC FRYERS**

- Heating element
- Working thermostat
- Safety thermostat
- Indicator light

## FR - INSTALLATION – EMPLOI - ENTRETIEN

### I. AVERTISSEMENTS GÉNÉRAUX



LIRE ATTENTIVEMENT CE MANUEL. IL DONNE DES INFORMATIONS IMPORTANTES POUR L'INSTALLATION, L'UTILISATION ET L'ENTRETIEN DE L'APPAREIL EN TOUTE SÉCURITÉ.



LE DÉFAUT DE SE CONFORMER À CE QUI EST PRÉSENTÉ CI DESSOUS PEUT COMPROMETTRE LA SÉCURITÉ DE L'ÉQUIPEMENT.



LE FABRICANT DE L'APPAREIL DÉCLINE TOUTE RESPONSABILITÉ EN CAS DE DOMMAGES DÛS AU NON RESPECT DES CONSIGNES CI DESSOUS.



TRADUCTION DES INSTRUCTIONS D'ORIGINE.



LES ÉQUIPEMENTS ONT BESOIN DE QUELQUES PRÉCAUTIONS POUR L'INSTALLATION, LE POSITIONNEMENT ET/OU LE FIXAGE ET LE BRANCHEMENT ÉLECTRIQUE. VOIR SECTION "INSTRUCTIONS POUR L'INSTALLATION".



LES ÉQUIPEMENTS ONT BESOIN DE PRÉCAUTIONS POUR LE NETTOYAGE. VOIR SECTION "INSTRUCTION POUR LE NETTOYAGE".



LE SYMBOLE "HAUTE TENSION" EST PLACÉ SUR UN PANNEAU QUI DONNE ACCÈS À UNE PARTIE AVEC HAUTE VOLTAGE.



CET ÉQUIPEMENT EST DESTINÉ À L'USAGE DANS DES APPLICATIONS COMMERCIALES, COMME LES CUISINES DE RESTAURANTS, CANTINES, HÔPITAUX ET ENTREPRISES COMMERCIALES COMME POUR EXEMPLE BOULANGERIES, BOUCHERIES ETC.



CES ÉQUIPEMENTS SONT DESTINÉS EXCLUSIVEMENT À LA FRITURE DE NOURRITURES ET À L'USAGE PROFESSIONNEL. AUTRES EMPLOIS SONT CONSIDÉRÉS INAPPROPRIÉ.



NE PAS NETTOYER L'ÉQUIPEMENT AVEC DES JETS D'EAU DIRECTS, AVEC DE

L'HAUTE PRESSION OU AVEC NETTOYEURS VAPEUR



RÉTABLIR LE NIVEAU D'HUILE CHAQUE FOIS QU'IL DESCEND AUDESSOUS DU NIVEAU MINIMUM INDIQUÉ PAR L'ENCOCHE DE RÉFÉRENCE. (DANGER D'INCENDIE).



REPLACER RÉGULIÈREMENT L'HUILE UTILISÉE POUR UN RENDEMENT OPTIMAL DE L'APPAREIL. UNE HUILE UTILISÉE TROP LONGTEMPS DIMINUE LA TEMPÉRATURE D'INFLAMMABILITÉ ET AUGMENTE SA TENDANCE À BOUILLIR DE FAÇON IMPROMPTUE.



FAIRE ATTENTION AUX EFFETS QUE LA NOURRITURE EXCESSIVEMENT HUMIDE ET UNE CHARGE ÉLEVÉE PEUVENT PROVOQUER AU MOMENT DU BOUILLONNEMENT DE L'HUILE

Conserver ce manuel dans un endroit sûr et connu afin de pouvoir le consulter pendant toute la durée de vie utile de l'appareil.

Cet appareil est conçu pour la cuisson d'aliments. Il est destiné à un usage industriel. Toute autre utilisation est réputée impropre.

Cet appareil n'est pas approprié à l'emploi de la part de personnes (y compris les enfants) avec capacités physiques, sensorielles ou mentales, réduites ou sans expérience ni connaissance.

A moins qu'une personne responsable de leur sécurité ne les surveille ou les instruit au sujet de l'utilisation de l'appareil.

Eviter de laisser le dispositif sans surveillance en présence d'enfants et s'assurer qu'ils ne l'utilisent pas ou qu'ils ne jouent avec.

Le personnel devant utiliser l'appareil doit avoir suivi une formation spéciale. Surveiller l'appareil pendant son fonctionnement.



NE PAS STOCKER DE SUBSTANCES INFLAMMABLES À PROXIMITÉ DE L'APPAREIL. DANGER D'INCENDIE.

Installer l'appareil seulement dans des locaux suffisamment aérés.

Toujours installer l'appareil dans un local aéré. Une mauvaise aération peut être la cause d'asphyxies.

Ne pas

obstruer le système d'aération du local où cet appareil est installé. Ne pas obstruer les bouches d'aération et d'évacuation de cet appareil ou d'autres appareils.

En cas de panne ou de dysfonctionnement de l'appareil, fermer le robinet d'arrêt du gaz et/ou désactiver l'interrupteur général d'alimentation électrique installés en amont de l'appareil.

L'installation et la conversion à un autre type de gaz doivent être effectués par des installateurs qualifiés et agréés par le fabricant, conformément aux normes de sécurité en vigueur et aux consignes données dans ce manuel.

L'entretien et la conversion à un autre type de gaz de l'appareil doivent être effectués par des installateurs qualifiés et agréés par le fabricant, conformément aux normes de sécurité en vigueur et aux consignes données dans ce manuel.

Effectuer le nettoyage conformément aux instructions données dans le Chapitre "INSTRUCTIONS POUR LE NETTOYAGE".

## 1. ÉLIMINATION DE L'EMBALLAGE ET DE L'APPAREIL

### EMBALLAGE

- L'emballage est réalisé dans des matériaux compatibles avec l'environnement. Les éléments en matière plastique recyclables sont:
- la couverture transparente, les sachets du manuel d'instructions et des injecteurs (en polyéthylène - PE).
- les feuillets (en polypropylène - PP).

### APPAREIL

- L'appareil est réalisé à plus de % dans des matériaux métalliques recyclables (acier inox, tôle aluminée, cuivre, etc. ).
- L'appareil doit être mis au rebut conformément à la réglementation en vigueur.
- Le rendre inutilisable avant son élimination.
- Ne pas le jeter dans la nature.



LE SYMBOLE DE LA POUBELLE BARRÉE REPORTÉ SUR L'APPAREIL ET LA BOÎTE INDIQUE QUE LE PRODUIT À LA FIN DE SA PROPRE VIE UTILE DOIT ÊTRE RAMASSÉ SÉPARÉMENT DES AUTRES DÉCHETS.

LA COLLECTE DIFFÉRENCIÉE DE CET APPAREIL AYANT ATTEINT LA FIN DE SA VIE EST ORGANISÉE ET GÉRÉE PAR LE FABRICANT.

LE CLIENT SOUHAITANT SE DÉFAIRE DE CET APPAREIL DEVRA DONC CONTACTER LE FABRICANT ET SUIVRE LA PROCÉDURE QUE CE DERNIER A ADOPTÉE AFIN DE PERMETTRE LA COLLECTE SÉPARÉE DE L'APPAREIL ARRIVÉ EN FIN DE VIE. UNE COLLECTE ET UN TRI DES DÉCHETS CONTRIBUE À ÉVITER LES POSSIBLES EFFETS NÉGATIFS SUR L'ENVIRONNEMENT ET SUR LA SANTÉ ET FAVORISE LA RÉUTILISATION ET/OU LE RECYCLAGE DES MATÉRIAUX DONT EST COMPOSÉ L'APPAREIL. L'ÉLIMINATION ABUSIVE DU PRODUIT DE LA PART DU PROPRIÉTAIRE COMPORTE L'APPLICATION DES SANCTIONS ADMINISTRATIVES PRÉVUES PAR LES NORMES EN VIGUEUR.

## 2. DISPOSITIFS DE SÉCURITÉ

### THERMOSTAT DE SÉCURITÉ

- Le fabricant de l'appareil décline toute responsabilité en cas de dommages dûs au non respect des consignes ci dessous.
- Un thermostat de sécurité à rétablissement manuel qui coupe le chauffage lorsque la température de service dépasse celle maximum admise est monté dans l'appareil.



**POUR RÉTABLIR LE FONCTIONNEMENT DE L'APPAREIL, OUVRIR LA PORTE ET APPUYER SUR LE BOUTON DE RÉTABLISSEMENT DU THERMOSTAT. CETTE OPÉRATION PEUT ÊTRE EFFECTUÉE UNIQUEMENT PAR UN TECHNICIEN QUALIFIÉ ET AGRÉÉ.**

## II. INSTRUCTIONS POUR L'INSTALLATION

### 3. AVERTISSEMENTS POUR L'INSTALLATEUR



**LIRE ATTENTIVEMENT CE MANUEL. IL DONNE DES INFORMATIONS IMPORTANTES POUR**

## L'INSTALLATION, L'UTILISATION ET L'ENTRETIEN DE L'APPAREIL EN TOUTE SÉCURITÉ.



**LE DÉFAUT DE SE CONFORMER À CE QUI EST PRÉSENTÉ CI DESSOUS PEUT COMPROMETTRE LA SÉCURITÉ DE L'ÉQUIPEMENT.**



**LE FABRICANT DE L'APPAREIL DÉCLINE TOUTE RESPONSABILITÉ EN CAS DE DOMMAGES DÛS AU NON RESPECT DES CONSIGNES CI DESSOUS.**

Repérer le modèle d'appareil. Le modèle est indiqué sur l'emballage et la plaque signalétique de l'appareil.

- Installer l'appareil seulement dans des locaux suffisamment aérés.
- L'installation et la conversion à un autre type de gaz doivent être effectués par des installateurs qualifiés et agréés par le fabricant, conformément aux normes de sécurité en vigueur et aux consignes données dans ce manuel.
- L'entretien et la conversion à un autre type de gaz de l'appareil doivent être effectués par des installateurs qualifiés et agréés par le fabricant, conformément aux normes de sécurité en vigueur et aux consignes données dans ce manuel.
- Ne pas obstruer les orifices d'aération et d'évacuation de l'appareil.
- Ne pas manipuler les pièces de l'appareil.

## 4. NORMES ET TEXTES DE LOI DE RÉFÉRENCE

- Installer les appareils en conformité avec les normes de sécurité en vigueur dans le pays.

## 5. DÉBALLAGE

- Contrôler l'état de l'emballage et demander au transporteur d'inspecter la marchandise en cas de dommages évidents.
- Enlever l'emballage.
- Enlever la pellicule protégeant les panneaux extérieurs. Éliminer les éventuels résidus de colle avec un solvant adapté.

## 6. MISE EN PLACE

- Les dimensions de l'appareil et la position des raccords sont indiquées dans le schéma d'installation figurant à la fin de ce manuel.
- L'appareil peut être installé seul ou avec d'autres appareils de la même gamme.
- Cet appareil ne peut pas être encastré.
- Installer l'appareil à une distance de 10 cm minimum des murs.
- Si l'équipement doit être mis près de murs, séparations, éléments décoratives, etc. ceux-ci doivent être faits en matériaux incombustibles

Dans le cas contraire ils doivent être couverts avec matériaux thermo-isolants incombustibles ; Mettre l'appareil d'aplomb à l'aide des pieds réglables.

### **MONTAGE DE L'APPAREIL SUR UN SOCLE EN PONT**

Suivre les instructions données avec le type de support utilisé.

### **SYSTÈME D'ÉVACUATION DES FUMÉES**

Prévoir un système d'évacuation des fumées conformément au " Type " d'appareil. Le " Type " est indiqué sur la plaque signalétique de l'appareil.

### **APPAREIL DE TYPE " A1 "**

Mettre les appareils de type "A1" sous une hotte aspirante pour assurer l'évacuation des fumées et des vapeurs de cuisson.

### **APPAREIL DE TYPE " B21 "**

Installer l'appareil de type "B21" sous une hotte aspirante.

### **APPAREIL DE TYPE " B11 "**

Monter le conduit de cheminée à demander au fabricant sur l'appareil de type "B11". Suivre les instructions de montage jointes au conduit de cheminée.

Raccorder au conduit de cheminée un tuyau d'un diamètre de 150/155 mm, résistant à une température de 300°C.

Poursuivre vers l'extérieur ou dans un conduit de cheminée efficace. La longueur du tuyau ne doit pas dépasser 3 mètres.

### **AÉRATION DES LOCAUX**

Les locaux où sont installés les appareils à gaz doivent être bien aérés pendant le fonctionnement afin de permettre une combustion du gaz et une ventilation correcte.

En particulier, l'afflux d'air nécessaire à la combustion ne doit pas être inférieur à 2 m<sup>3</sup>/h pour chaque kW de débit nominal installé.

## 7. RACCORDEMENTS

La position et la dimension des raccordements sont précisées sur le schéma d'installation figurant à la fin de ce manuel.

### RACCORDEMENT À LA CONDUITE DE GAZ

- Vérifier si l'appareil est prévu pour le type de gaz qui l'alimentera. Contrôler les indications sur les talons figurant sur l'emballage et sur l'appareil.
- Si nécessaire, adapter l'appareil au type de gaz utilisé. Suivre les instructions du Paragraphe "Adaptation à un autre type de gaz".
- Sur les appareils hauts, un raccordement à l'arrière est disponible. Dévisser le bouchon et le visser de façon étanche sur le raccordement avant.
- Installer un robinet d'arrêt à fermeture rapide en amont de l'appareil, dans un endroit facilement accessible.
- Ne pas utiliser de tuyaux de raccordement d'un diamètre inférieur à celui du raccordement de gaz de l'appareil.
- Après le raccordement, vérifier qu'il n'y ait pas de fuites au niveau du raccordement.

### BRANCHEMENT ÉLECTRIQUE


- Vérifier si l'appareil est prévu pour fonctionner à la tension et à la fréquence auxquelles il sera alimenté. Contrôler la plaque signalétique placée sur l'appareil et placée à côté de la borne.
- Installé en amont de l'appareil dans un endroit facilement accessible, tous les pôles dispositif de déconnexion avec une distance d'ouverture des contacts qui permet une déconnexion complète dans les conditions de la catégorie de surtension III.
- Utiliser un cordon d'alimentation flexible avec gaine isolante en caoutchouc ayant des caractéristiques au moins égales au type H05 RN-F.
- Relier le cordon d'alimentation à la plaque à bornes selon les indications du schéma électrique remis avec l'appareil.
- Bloquer le cordon d'alimentation avec le presse-étoupe.


- Protéger le cordon d'alimentation à l'extérieur de l'appareil avec un conduit en métal ou en plastique rigide.
- Si le câble d'alimentation est endommagé, il doit être remplacé pour le fabricant ou pour son service d'assistance ou pour une personne avec qualification similaire, afin de prévenir tous risques.



**LE SYMBOLE "HAUTE TENSION" EST PLACÉ SUR UN PANNEAU QUI DONNE ACCÈS À UNE PARTIE AVEC HAUTE VOLTAGE.**

### MISE À LA TERRE ET NOUÉD EQUIPOTENTIEL

Brancher l'appareil sous tension à une prise de terre efficace. Relier le conducteur de terre à la borne portant le symbole  situé à côté de la plaque à bornes d'arrivée de la ligne.

Relier la structure métallique de l'appareil sous tension à un noeud équipotentiel. Relier le conducteur à la borne portant le symbole  situé sur la partie extérieure du fond.

### RACCORDEMENT AU RÉSEAU HYDRIQUE

- Alimenter l'appareil avec de l'eau potable. La pression d'alimentation de l'eau doit être de 150 kPa à 300 kPa. Utiliser un réducteur si la pression d'alimentation est supérieure à celle maximale indiquée.
- Installer un filtre mécanique et un robinet d'arrêt en amont de l'appareil, dans un endroit facilement accessible.
- Éliminer les éventuels dépôts ferreux des tuyaux de raccordement avant de raccorder le filtre et l'appareil.
- Fermer les raccords n'étant pas reliés avec un bouchon étanche.
- Après le raccordement, vérifier qu'il n'y ait pas de fuites au niveau du raccordement.

### RACCORDEMENT À L'ÉVACUATION DES EAUX USÉES

Les conduits d'évacuation doivent être réalisés dans des matériaux résistant à une température de 100 °C. La vapeur dégagée par l'évacuation d'eau chaude ne doit pas entrer en contact avec le fond de l'appareil.

Prévoir un puisard siphonné et grillagé sous le robinet d'évacuation des eaux des casseroles et en face des braisières.



## 8. ADAPTATION À UN AUTRE TYPE DE GAZ

Le tableau Tab1 indique:

- les gaz pouvant être utilisés pour le fonctionnement de l'appareil.
- les injecteurs et les réglages pour chaque gaz pouvant être utilisé.
- Pour les injecteurs, le nombre indiqué dans le tableau TAB1 est estampillé sur le corps de l'injecteur.
- Pour adapter l'appareil au type de gaz qui l'alimentera, suivre les instructions du tableau TAB1 et effectuer les opérations ci dessous:
- Remplacer l'injecteur du brûleur principal (UM).
- Placer l'aérateur du brûleur principal à la distance A.
- Remplacer l'injecteur de la veilleuse (UP).
- Régler l'air de la veilleuse (si nécessaire).
- Remplacer la veilleuse du minimum du robinet de gaz (Um).
- Apposer la plaquette adhésive indiquant le nouveau type de gaz utilisé sur l'appareil.
- Les injecteurs et les plaquettes adhésives sont livrés avec l'appareil.

### **REMPACEMENT DE LA BUSE ET LE RÉGLAGE DE L'AIR PRIMAIRE DU BRÛLEUR PRINCIPAL,**

- Desserrer la vis V.
- Démontez l'injecteur UM (assemblé avec l'aérateur Z) et le remplacer par celui indiqué dans le tableau TAB1.
- Revisser à fond l'injecteur UM (assemblé avec l'aérateur Z).
- Placer l'aérateur Z à la distance A indiquée dans le tableau TAB1.
- Revisser à fond la vis V.
- Remonter toutes les pièces. Effectuer dans l'ordre inverse les opérations de démontage.

### **REMPACEMENT DE L'INJECTEUR DE LA VEILLEUSE**

- Démontez le panneau avant.
- Ouvrez la porte.
- Dévisser le raccord R.
- Démontez l'injecteur UP et le remplacer par celui indiqué dans le tableau TAB1.
- Revisser à fond le raccord R. Remonter toutes les pièces.
- Après, dans l'ordre inverse, la séquence utilisée

pour leur élimination.

## 9. MISE EN SERVICE

Après l'installation, l'adaptation à un autre type de gaz ou des interventions d'entretien, vérifier le fonctionnement de l'appareil. En cas de dysfonctionnements, consulter le paragraphe " Résolution des dysfonctionnements " .

### **APPAREIL À GAZ**

- Mettre l'appareil en marche conformément aux instructions d'utilisation figurant au chapitre " INSTRUCTIONS POUR L'UTILISATION " et vérifier:
- la pression d'alimentation du gaz (voir le paragraphe suivant).
- la régularité d'allumage des brûleurs et l'efficacité de l'installation d'évacuation des fumées.

### **VÉRIFICATION DE LA PRESSION D'ALIMENTATION DU GAZ**

- Utiliser un manomètre d'une précision égale ou supérieure à 0,1 mbar.
- Démontez le panneau de commandes.
- Enlever la vis d'étanchéité de la prise de pression PP et relier le manomètre.
- Effectuer la mesure avec l'appareil en marche.



**ATTENTION! SI LA PRESSION D'ALIMENTATION DU GAZ NE RENTRE PAS DANS LES VALEURS LIMITES (MIN. - MAX) INDIQUÉES DANS LE TABLEAU TAB2, INTERROMPRE LE FONCTIONNEMENT DE L'APPAREIL ET CONTACTER LA SOCIÉTÉ DE DISTRIBUTION DE GAZ.**

Détacher le manomètre et revisser à fond la vis d'étanchéité sur la prise de pression.

### **EQUIPEMENTS ELECTRIQUES**

Mettre l'appareil en marche conformément aux instructions d'utilisation figurant au chapitre " INSTRUCTIONS POUR L'UTILISATION " et vérifier: les valeurs du courant de chaque phase. la régularité d'allumage des résistances de chauffage.



### III. INSTRUCTIONS POUR L'UTILISATION

#### 10. AVERTISSEMENTS POUR L'UTILISATEUR



**LIRE ATTENTIVEMENT CE MANUEL. IL DONNE DES INFORMATIONS IMPORTANTES POUR L'INSTALLATION, L'UTILISATION ET L'ENTRETIEN DE L'APPAREIL EN TOUTE SÉCURITÉ. LE FABRICANT DE L'APPAREIL DÉCLINE TOUTE RESPONSABILITÉ EN CAS DE DOMMAGES DÛS AU NON RESPECT DES CONSIGNES CI DESSOUS.**



Pour l'assistance, s'adresser uniquement aux centres techniques agréés par le fabricant et exiger des pièces détachées originales.

Faire contrôler l'appareil au moins deux fois par an. Il convient de stipuler un contrat d'entretien.

Cet appareil est destiné à un usage professionnel et doit donc être utilisé par du personnel formé à cet effet.

L'appareil est destiné à la cuisson d'aliments comme indiqué dans les avertissements. Toute autre utilisation est impropre.

Éviter de faire marcher l'appareil à vide pendant de longues périodes. Préchauffer l'appareil juste avant de l'utiliser.

Surveiller l'appareil pendant son fonctionnement.

En cas de panne ou de dysfonctionnement de l'appareil, fermer le robinet d'arrêt du gaz et/ou désactiver l'interrupteur général d'alimentation électrique installés en amont de l'appareil.

Effectuer le nettoyage conformément aux instructions données dans le Chapitre "INSTRUCTIONS POUR LE NETTOYAGE".



**NE PAS STOCKER DE SUBSTANCES INFLAMMABLES À PROXIMITÉ DE L'APPAREIL. DANGER D'INCENDIE.**

Ne pas obstruer les orifices d'aération et d'évacuation de l'appareil.

Ne pas manipuler les pièces de l'appareil.

Conserver ce manuel dans un endroit sûr et connu afin de pouvoir le consulter pendant toute la durée de vie utile de l'appareil.

L'installation l'entretien de l'appareil doivent être effectués par des installateurs qualifiés et agréés par le fabricant, conformément aux normes de sécurité en vigueur et aux consignes données dans ce manuel.

L'entretien et la conversion à un autre type de gaz de l'appareil doivent être effectués par des installateurs qualifiés et agréés par le fabricant, conformément aux normes de sécurité en vigueur et aux consignes données dans ce manuel.

#### 11. UTILISATION DE LA FRITEUSE

Cet appareil devra être destiné seulement et uniquement à l'usage pour lequel il a été expressément conçu, à savoir la friture d'aliments dans de l'huile ou de la graisse solide. Toute autre utilisation est considérée comme impropre. Les aliments particulièrement volumineux et n'ayant pas été égouttés peuvent provoquer des jets d'huile chaude.

Rétablir le niveau d'huile chaque fois qu'il descend audessous du niveau minimum indiqué par l'encoche de référence.

Avant de verser de l'huile dans la cuve, s'assurer qu'il n'y a pas d'eau à l'intérieur.

Remplir la cuve jusqu'au repère maximum se trouvant sur la paroi de la cuve. Ne pas utiliser l'appareil avec un niveau d'eau supérieur au repère maximum.

En cas d'utilisation de graisse solide, celle-ci devra être préalablement fondue séparément et versée ensuite dans la cuve. Ne pas laisser de graisse dans la cuve après la cuisson.

Plonger lentement le panier contenant les aliments à frire dans l'huile bouillante en veillant à ce que la mousse qui se forme ne déborde pas de la cuve. Le cas échéant, cesser de plonger le panier pendant quelques secondes.

Ne pas faire chauffer sans huile dans la cuve.

Éviter d'utiliser l'appareil vide de façon prolongée ou dans des conditions susceptibles de nuire à son rendement.

Rétablir le niveau d'huile chaque fois qu'il descend audessous du niveau minimum indiqué par l'encoche de référence. (danger d'incendie).

Remplacer régulièrement l'huile utilisée pour un rendement optimal de l'appareil. Une huile utilisée trop longtemps diminue la température d'inflammabilité et augmente sa tendance à bouillir de façon imprévisible.

Un thermostat de sécurité à rétablissement manuel qui coupe le chauffage lorsque la température de service dépasse celle maximum admise est monté dans l'appareil.

Respecter le limite maximale de chargement de la nourriture indiqué dans la fiche technique.

#### REPLISSAGE ET VIDANGE CUVE ÉQUIPEMENT

## VERSION TOP

avez besoin de vider le réservoir à plusieurs reprises.

### REPLISSAGE

Les équipements version top sont doté de déchargement frontale positionné sur le panel de control.

S'assurer que le déchargement soit fermé, levier tourné a droite.

Remplir la cuve jusqu'au repère maximum se trouvant sur la paroi de la cuve. Ne pas utiliser l'appareil avec un niveau d'eau supérieur au repère maximum.

### VIDANGE

Éteindre les brûleurs.

Vidange des réservoirs doit être fait à l'huile froide.

Prévoir un récipient apte à contenir les aliments chauds.

Les équipements de la série 600 et 650 ont le déchargement frontale et sont dotés de tuyau d'écoulement avec culot à baïonnette.

Tourner le levier dans le sens des aiguilles d'une montre. Le déchargement sera totalement ouvert quand le poignée sera tournée totalement a gauche. Si est nécessaire vider la cuve plusieurs fois.

### REPLISSAGE ET VIDANGE DE LA CUVE EQUIPEMENT AU SOL.

#### REPLISSAGE

- Tourner la poignée de la valve de purge dans le sens inverse des aiguilles d'une montre. Le système d'évacuation est complètement fermé seulement lorsque la poignée est en position horizontale.
- Remplir la cuve jusqu'au repère maximum se trouvant sur la paroi de la cuve. Ne pas utiliser l'appareil avec un niveau d'eau supérieur au repère maximum.

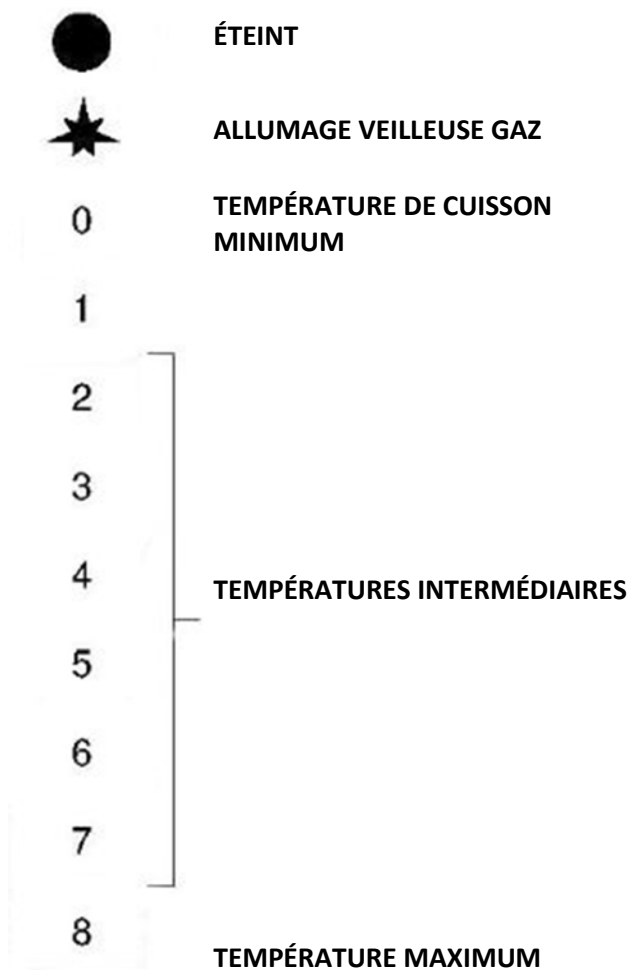
#### VIDANGE

- Éteindre les brûleurs.
- Vidange des réservoirs doit être fait à l'huile froide.
- Prévoir un récipient apte à contenir les aliments chauds.
- Tourner la poignée de la valve dans le sens inverse des aiguilles d'une montre. Le système d'évacuation est complètement ouvert seulement lorsque la poignée est en position verticale. Si vous

### FRITEUSES Á GAZ

#### ALLUMAGE ET EXTINCTION DES BRULEURS

La manette de commande de la valve de gaz a les positions d'utilisation suivantes:



#### ALLUMAGE VEILLEUSE GAZ

- Tourner la manette de commande dans la position "Allumage veilleuse gaz".
- Appuyer à fond sur le bouton " allumage veilleuse gaz " et tout en le maintenant enfoncé, pousser sur le bouton de l'allumeur piézo-électrique. La flamme veilleuse s'allumera automatiquement.
- Vérifier l'allumage à travers la fente sur le tableau de commande de l' appareillage.
- Maintenir enfoncé le bouton de la soupape pendant 10-15 secondes afin de permettre le

- chauffage du thermocouple, et le relâcher.
- Si la veilleuse s'éteint, répéter l'opération.

### ALLUMAGE DU BRULEUR PRINCIPAL

- Tourner la manette dans la position correspondant à la température de cuisson choisie.

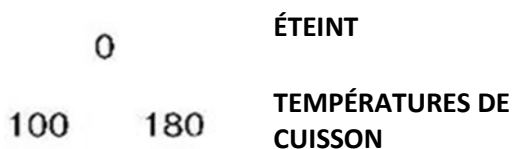
### ARRÊT

- Pour éteindre le brûleur principal, tourner la manette en position " Allumage veilleuse gaz " .
- Pour éteindre la veilleuse presser à fond le bouton " éteint " , après relâchez-le.

### FRITEUSES ÉLECTRIQUES

#### ALLUMAGE ET EXTINCTION DES BRULEURS

La manette de commande du sélecteur a les positions d'utilisation suivantes:



#### ALLUMAGE

Tourner la manette dans la position correspondant à la température de cuisson choisie.

Le voyant vert s'allume.

Le témoin verte indique que l'équipement est sous tension

Le voyant jaune s'allume.

L'extinction du voyant jaune indique que la température choisie est atteinte.

#### ARRÊT

Tourner la manette de commande dans la position "0".

## 12. PÉRIODES D'INACTIVITÉ

Avant une période d'inactivité prévue, procéder comme suit:

- Nettoyer soigneusement l'appareil.
- Passer un chiffon imbibé d'un peu d'huile de vaseline sur toutes les surfaces de façon à étaler un film de protection.
- Fermer les robinets ou interrupteurs généraux en amont des appareils.

Après une période d'inactivité prolongée, procéder comme suit:

- Contrôler l'appareil avant de le réutiliser.
- Faire fonctionner les appareils électriques à la température minimum pendant au moins 60 minutes.

## IV. INSTRUCTIONS POUR LE NETTOYAGE

### 13. AVERTISSEMENTS POUR LE NETTOYAGE



**LIRE ATTENTIVEMENT CE MANUEL. IL DONNE DES INFORMATIONS IMPORTANTES POUR L'INSTALLATION, L'UTILISATION ET L'ENTRETIEN DE L'APPAREIL EN TOUTE SÉCURITÉ.**



**LE FABRICANT DE L'APPAREIL DÉCLINE TOUTE RESPONSABILITÉ EN CAS DE DOMMAGES DÛS AU NON RESPECT DES CONSIGNES CI DESSOUS.**



**COUPER L'ALIMENTATION ÉLECTRIQUE DE L'APPAREIL, SI SOUS TENSION, AVANT TOUTE OPÉRATION.**

- Nettoyer tous les jours les surfaces extérieures en acier inox poli, la surface des cuves de cuisson, la surface des plaques de cuisson.
- Faire nettoyer les pièces internes de l'appareil au moins deux fois par an par un technicien agréé.
- Ne pas utiliser de produits corrosifs pour nettoyer le sol sous l'appareil.
- Ne pas laver l'appareil avec des jets d'eau directs ou à haute pression.

#### SURFACES POLIES EN ACIER INOXYDABLE

- Nettoyer les surfaces avec un chiffon ou une éponge en utilisant de l'eau et des produits nettoyants non abrasifs. Passer le chiffon dans le sens du polissage. Rincer souvent et sécher ensuite soigneusement.
- Ne pas utiliser de tampons à récurer ni d'autres

objets en fer.

- Ne pas utiliser de produits chimiques contenant du chlore.
- Ne pas utiliser d'objets pointus pouvant rayer la surface.

#### **CUVES DE CUISSON**

- Nettoyer les cuves en portant l'eau à ébullition et en ajoutant éventuellement des produits dégraissants.
- Enlever les éventuels dépôts de calcaire avec des produits adaptés.

### **v. INSTRUCTIONS POUR L'ENTRETIEN**

#### **14. AVERTISSEMENTS POUR LE TECHNICIEN D'ENTRETIEN**



**LE FABRICANT DE L'APPAREIL DÉCLINE TOUTE RESPONSABILITÉ EN CAS DE DOMMAGES DÛS AU NON RESPECT DES CONSIGNES CI DESSOUS.**

Repérer le modèle d'appareil. Le modèle est indiqué sur l'emballage et la plaque signalétique de l'appareil.

Installer l'appareil seulement dans des locaux suffisamment aérés.

Ne pas obstruer les orifices d'aération et d'évacuation de l'appareil.

Ne pas manipuler les pièces de l'appareil.

L'entretien et la conversion à un autre type de gaz de l'appareil doivent être effectués par des installateurs qualifiés et agréés par le fabricant, conformément aux normes de sécurité en vigueur et aux consignes données dans ce manuel.

#### **15. ADAPTATION À UN AUTRE TYPE DE GAZ**

Voir le chapitre " Instructions pour l'installation ".

#### **16. MISE EN SERVICE**

Voir le chapitre " Instructions pour l'installation ".

### **17. RÉOLUTION DES DYSFONCTIONNEMENTS**

#### **FRITEUSES À GAZ**

##### **LA VEILLEUSE NE S'ALLUME PAS.**

Causes possibles:

- La pression d'alimentation du gaz est insuffisante.
- La conduite ou l'injecteur est obstrué (e).
- Le robinet de gaz ou la valve de gaz est en panne.
- La bougie d'allumage est mal reliée ou défectueuse.
- L'allumeur ou le câble de la bougie est en panne.
- Thermostat de sécurité s'étant déclenché ou défectueux.

##### **LA VEILLEUSE NE RESTE PAS ALLUMÉE OU S'ÉTEINT PENDANT L'UTILISATION.**

Causes possibles:

- La pression d'alimentation du gaz est insuffisante.
- Le robinet de gaz ou la valve de gaz est en panne.
- Le thermocouple est défectueux ou n'est pas suffisamment chauffé.
- Le thermocouple est mal relié au robinet ou à la valve de gaz.
- La manette du robinet ou de la valve de gaz n'est pas suffisamment pressée.
- Thermostat de sécurité s'étant déclenché ou défectueux.

##### **LE BRÛLEUR PRINCIPAL NE S'ALLUME PAS (MÊME SI LA VEILLEUSE EST ALLUMÉE).**

Causes possibles:

- La pression d'alimentation du gaz est insuffisante.
- La conduite ou l'injecteur est obstrué (e).
- Le robinet de gaz ou la valve de gaz est en

panne.

- Le brûleur est défectueux (orifices de sortie du gaz bouchés).

### **LE CHAUFFAGE NE SE RÈGLE PAS.**

Causes possibles:

- Le robinet de gaz est en panne.
- Le thermostat de réglage de la température est défectueux.

### **FRITEUSES ÉLECTRIQUES**

#### **L'APPAREIL NE CHAUFFE PAS.**

Causes possibles:

- Le thermostat de réglage de la température est défectueux.
- Les résistances sont défectueuses.

#### **LE CHAUFFAGE NE SE RÈGLE PAS.**

Causes possibles:

- Le thermostat de réglage de la température est défectueux.

## 18. REMPLACEMENT DE PIÈCES

### **AVERTISSEMENTS POUR LE REMPLACEMENT DES PIÈCES**



**FERMER LE ROBINET D'ARRÊT DU GAZ ET/OU DÉSACTIVER L'INTERRUPTEUR GÉNÉRAL D'ALIMENTATION ÉLECTRIQUE INSTALLÉS EN AMONT DE L'APPAREIL.**



**APRÈS LE REMPLACEMENT D'UNE PIÈCE DU CIRCUIT DE GAZ, VÉRIFIER L'ABSENCE DE FUITES AUX POINTS DE RACCORDEMENT AU CIRCUIT.**



**COUPER L'ALIMENTATION ÉLECTRIQUE DE L'APPAREIL, SI SOUS TENSION, AVANT TOUTE OPÉRATION.**



**APRÈS LE REMPLACEMENT D'UN COMPOSANT DU CIRCUIT ÉLECTRIQUE, VÉRIFIER QU'IL EST CORRECTEMENT RELIÉ AU CÂBLAGE.**

### **FRITEUSES Á GAZ**

#### **REPLACEMENT DE LA VALVE À GAZ ET DU THERMOSAT DE SÉCURITÉ.**

- Vider complètement la cuve.
- Ouvrez la porte.
- Démonter le panneau de commandes.
- Sortir la boule de son logement fixé à la cuve.
- Retirer et remplacer le composant.
- Replacer le joint d'étanchéité de la sonde/bulbe dans la cuve.
- Remonter toutes les pièces. Effectuer dans l'ordre inverse les opérations de démontage.

#### **REMPACEMENT DE LA BUSE ET LE RÉGLAGE DE L'AIR PRIMAIRE DU BRÛLEUR PRINCIPAL,**

- Desserrer la vis V.
- Démonter l'injecteur UM (assemblé avec l'aérateur Z) et le remplacer par celui indiqué dans le tableau TAB1.
- Revisser à fond l'injecteur UM (assemblé avec l'aérateur Z).
- Placer l'aérateur Z à la distance A indiquée dans le tableau TAB1.
- Revisser à fond la vis V.
- Remonter toutes les pièces. Effectuer dans l'ordre inverse les opérations de démontage.

#### **REMPACEMENT DE LA VEILLEUSE ET DU THERMOCOUPLE.**

- Ouvrez la porte.
- Démonter le panneau de commandes.
- Retirer et remplacer le composant.
- Remonter toutes les pièces. Effectuer dans l'ordre inverse les opérations de démontage.

### **FRITEUSES ÉLECTRIQUES**

#### **REMPACEMENT DE LA RÉSISTANCE**

- Lever la tige chauffante en position verticale
- Lever le panneau de protection inférieur
- Déconnecter la tige chauffante
- Retirer et remplacer le composant.
- Remonter toutes les pièces. Effectuer dans l'ordre inverse les opérations de démontage.

#### **SOSTITUTION DE LA LAMPE**

- Démonter le panneau de commandes.
- Retirer et remplacer le composant.
- Remonter toutes les pièces. Effectuer dans l'ordre inverse les opérations de démontage.

#### **REPLACEMENT DU THERMOSTAT DE TRAVAIL.**

- Démonter le panneau de commandes.
- Sortir la boule de son logement fixé à la cuve.
- Retirer et remplacer le composant.
- Remonter toutes les pièces. Effectuer dans l'ordre inverse les opérations de démontage.

### 19. NETTOYAGE DES PIÈCES INTERNES

- Contrôler l'état des pièces se trouvant à l'intérieur de l'appareil.
- Enlever la saleté s'étant éventuellement déposée.
- Contrôler et nettoyer le système d'évacuation des fumées.

### 20. PIÈCES PRINCIPALES

#### **FRITEUSES Á GAZ**

- Valve de gaz
- BRÛLEUR PRINCIPAL
- Veilleuse
- Thermocouple
- Bougie d'allumage
- Allumeur piézoélectrique
- Thermostat de sécurité

#### **FRITEUSES ÉLECTRIQUES**

- Résistance
- Thermostat de travail
- Thermostat de sécurité
- Voyant

## DE - INSTALLATION – GEBRAUCH - WARTUNG

### I. ALLGEMEINE HINWEISE



LESEN SIE DIESE ANLEITUNG AUFMERKSAM DURCH. SIE ENTHÄLT WICHTIGE HINWEISE ZUR INSTALLATIONS, GEBRAUCHS-UND WARTUNGSSICHERHEIT DES GERÄTS. NICHTBEACHTUNG WAS IST UNTEN DARGESTELLT ERFÜLLEN KANN ZUR BEEINTRÄCHTIGUNG DER SICHERHEIT DER GERÄTE.



DER GERÄTEHERSTELLER IST NICHT HAFTBAR FÜR EVENTUELLE SCHÄDEN, DIE DURCH MISSACHTUNG DER NACHSTEHENDEN PFLICHTEN VERURSACHT WERDEN.



ÜBERSETZUNG DER URSPRÜNGLICHEN ANWEISUNGEN.



BEI DER INSTALLIERUNG, LAGERUNG UND/ODER BEFESTIGUNG, SCHALTUNG AN DEN STROMNETZ DER GERÄTE BITTE DIE SICHERHAITSMAßNAHMEN BEACHTEN. BITTE DEN KAPITEL "MONTAGEANLEITUNG" LESEN



BEI DER REINIGUNG DER GERÄTE BEACHTEN SIE DIE SICHERHEITSMAßNAHMEN FÜR REINIGUNG. BITTE DEN KAPITEL "REINIGUNGSANLEITUNG" LESEN.



DAS SYMBOL "GEFÄHRLICHE SPANNUNG" BEDEUTET, DASS DIESE TEILE SIND VON GEFÄHRLICHER SPANNUNG BETROFFEN



DIESES GERÄT SOLL FÜR GESCHÄFTLICHE ANWENDUNGEN EINGESETZT WERDEN, BEISPIELSWEISE KÜCHEN VON RESTAURANTS, KANTINEN, KRANKENHÄUSER UND HANDELSUNTERNEHMEN, WIE BÄCKEREIEN, METZGEREIEN USW., ABER NICHT FÜR DIE MASSENHERSTELLUNG VON UNUNTERBROCHENER LEBENSMITTELN BESTIMMT.



DIESES GERÄT WIRD NUR FÜR DIE FRITTIERTEN LEBENSMITTELN HERSTELLT UND WIRD FÜR EINEN PROFESSIONELLEN EINSATZ GEDACHT. JEDE ANDERE VERWENDUNG IST ALS UNSACHGEMÄß. DAS GERÄT MIT KEINEM DIREKTEM WASSERSTRAHL, HOCHDRUCK -ODER DAMPFREINIGER REINIGEN.



ÖL NACHFÜLLEN, SOBALD DER ÖLSTAND UNTER DIE MINDEST KERBE SINKT (BRANDGEFAHR).



UM EINEN BESSEREN ERTRAG ZU GEWÄHRLEISTEN, SOLLTE DAS ÖL REGELMÄßIG GEWECHSELT WERDEN. DURCH ZU HÄUFIGES ERHITZEN UND WIEDERVERWENDEN DES ÖLS SINKT DIE TEMPERATUR, BEI DER ES SICH ENTZÜNDET UND DIE TENDENZ, PLÖTZLICH AUFZUKOCHEN, NIMMT ZU. ACHTEN SIE AUF DIE WIRKUNG, DIE DAS NASSE ESSEN UND EINE GROSSE MENGE VON ESSEN AUF DEM PLÖTZLICHEN AUFRUHR DES ÖLS HABEN KÖNNEN



Bewahren Sie diese Anleitung an einem sicheren und bekannten Ort auf, damit sie während der Nutzungsdauer des Geräts eingesehen werden kann.

Dieses Geräte wurde für das Kochen von Speisen entwickelt. Es ist für den industriellen Gebrauch bestimmt. Jeder andere Gebrauch ist bestimmungsfremd.

Dieses Gerät darf nicht durch Personen (Kinder eingeschlossen) benutzt werden, die körperlich behindert, in ihrer Wahrnehmungsfähigkeit oder ihren geistigen Kräften eingeschränkt sind oder denen Erfahrung und Kenntnisse fehlen.

Außer wenn sie durch eine für ihre Sicherheit verantwortliche Person überwacht oder in den Gebrauch des Gerätes eingewiesen werden.

Vermeiden Sie es, das Gerät in Anwesenheit von Kindern unbeaufsichtigt zu lassen und stellen Sie sicher, dass es nicht von ihnen benutzt wird oder sie mit ihm spielen.

Das Bedienungspersonal des Gerätes muss geschult werden. Das Gerät muss während des Betriebes überwacht werden.



**BEWAHREN SIE KEINE ENTZÜNDBAREN STOFFE IN NÄHE DES GERÄTS AUF. BRANDGEFAHR.**

Installieren Sie das Gerät nur in gut belüfteten Räumen.

Eine unzureichende Belüftung führt zu Erstickung. Das Belüftungssystem des Raumes, in dem das Gerät installiert wird, nicht verdecken. Die Belüftungs- oder Auslassöffnungen dieses oder anderer Geräte nicht verdecken.

Schließen Sie bei Defekten oder Betriebsstörungen den Gasabsperrhahn und/oder unterbrechen Sie die Stromversorgung am Hauptschalter, die beide dem Gerät vorgeschaltet sind.

Installation und Umstellung auf einen anderen Gasbetrieb sind durch qualifiziertes und vom Hersteller autorisiertes Personal entsprechend den einschlägigen Sicherheitsbestimmungen und diesen Anleitungen vorzunehmen.

Wartung und Umstellung auf einen anderen Gasbetrieb des Gerätes sind durch qualifiziertes und vom Hersteller autorisiertes Personal entsprechend den einschlägigen Sicherheitsbestimmungen und diesen Anleitungen vorzunehmen.

Beachten Sie bei der Reinigung die Anweisungen im Kapitel "REINIGUNGSANWEISUNGEN".

## 1. ENTSORGUNG DER VERPACKUNG UND DES GERÄTS

### VERPACKUNG

- Die Verpackung ist aus umweltverträglichen Materialien gefertigt. Die recyclebaren Kunststoffkomponenten sind:
- Die transparente Hülle, die Beutel mit den Gebrauchsanleitungen und den Düsen (aus Polyethylen - PE).
- Die Umreifungsbänder (aus Polypropylen - PP).

### GERÄTE

- Zu mehr als 90% seines Gewichtes besteht das Gerät aus recyclebaren Metallwerkstoffen

(Edelstahl, aluminisiertes Blech, Kupfer.. .).

- Das Gerät ist entsprechend den einschlägigen Vorschriften zu entsorgen.
- Vor der Entsorgung unbrauchbar machen.
- Es darf nicht in die Umwelt gelangen.



**DAS SYMBOL DER DURCHGESTRICHE- NEN MÜLLTonne AUF DEM GERÄT ODER SEINER VERPACKUNG BEDEUTET, DASS DAS PRODUKT AM ENDE SEINER NUTZBARKEIT GETRENNT VON DEN ANDEREN ABFÄLLEN ENTSORGT WERDEN MUSS.**

**DIE GETRENNTE SAMMLUNG DIESES GERÄTS NACH ENDE SEINER NUTZUNGSDAUER WIRD VOM HERSTELLER ORGANISIERT UND VERWALTET. DER BENUTZER, DER SICH VON DIESEM GERÄT BEFREIEN WILL, MUSS SICH DAHER MIT DEM HERSTELLER IN VERBINDUNG SETZEN UND DAS SYSTEM BEFOLGEN, DAS DER HERSTELLER FÜR DIE GETRENNTE SAMMLUNG DES GERÄTS NACH ENDE SEINER NUTZUNGSDAUER EINGEFÜHRT HAT. DIE GEEIGNETE GETRENNTE SAMMLUNG TRÄGT ZUR VERMEIDUNG NEGATIVER AUSWIRKUNGEN AUF UMWELT UND GESUNDHEIT BEI UND UNTERSTÜTZT DIE WIEDERVERWENDUNG UND/ODER DAS RECYCLING DES MATERIALS AUS DEM DAS GERÄT ZUSAMMENGESETZT IST. DIE VERWAHRLOSUNG DES PRODUKTS DURCH DEN EIGENTÜMER FÜHRT ZUR ANWENDUNG DER VON DER GESETZLICHEN BESTIMMUNG VORGESEHENEN VERWALTUNGSSTRAFEN.**

## 2. SICHERHEITS VORRICHTUNGEN

### SICHERHEITSTHERMOSTAT

- Der Gerätehersteller ist nicht haftbar für eventuelle Schäden, die durch Missachtung der nachstehenden Pflichten verursacht werden.
- Das Gerät verfügt über einen von Hand rückstellbaren Sicherheitsthermostat, der die Beheizung unterbricht, wenn die Betriebstemperatur die zulässige Höchsttemperatur überschreitet.



**ZUR WIEDERHERSTELLUNG DES GERÄTEBETRIEBS, ÖFFNEN SIE DIE TÜR UND DIE RÜCKSETZTASTE DES THERMOSTATS. DIESER EINGRIFF IST AUSSCHLIEßLICH EINEM QUALIFIZIERTEN UND AUTORISIERTEN TECHNIKER VORBEHALTEN.**



## II. INSTALLATIONSANLEITUNGEN

### 3. HINWEISE FÜR DEN INSTALLATIONSTECHNIKER



**LESEN SIE DIESE ANLEITUNG AUFMERKSAM DURCH. SIE ENTHÄLT WICHTIGE HINWEISE ZUR INSTALLATIONS-, GEBRAUCHS-UND WARTUNGSSICHERHEIT DES GERÄTS. NICHTBEACHTUNG WAS IST UNTEN DARGESTELLT ERFÜLLEN KANN ZUR BEEINTRÄCHTIGUNG DER SICHERHEIT DER GERÄTE.**



**DER GERÄTEHERSTELLER IST NICHT HAFTBAR FÜR EVENTUELLE SCHÄDEN, DIE DURCH MISSACHTUNG DER NACHSTEHENDEN PFLICHTEN VERURSACHT WERDEN.**



- Gerätemodell feststellen. Das Modell ist an der Verpackung und auf dem Schild der Gerätedaten
- vermerkt.
  - Installieren Sie das Gerät nur in gut belüfteten
  - Räumen.
  - Installation und Umstellung auf einen anderen Gasbetrieb und sind durch qualifiziertes und vom Hersteller autorisiertes Personal entsprechend den einschlägigen Sicherheitsbestimmungen und diesen Anleitungen vorzunehmen.
  - Wartung und Umstellung auf einen anderen Gasbetrieb des Geräts sind durch qualifiziertes und vom Hersteller autorisiertes Personal entsprechend den einschlägigen Sicherheitsbestimmungen und diesen Anleitungen vorzunehmen.
  - Verdecken Sie die am Gerät vorhandenen Belüftungsschlitze und Abfl ussöffnungen nicht.
  - Nehmen Sie keine unerlaubten Änderungen an den Gerätekomponenten vor.

### 4. BEZUGSNORMEN UND -GESETZE

- Installieren Sie das Gerät in Übereinstimmung mit den geltenden Sicherheitsnormen im Land.

### 5. AUSPACKEN

- Überprüfen Sie die Verpackung auf Schäden und fordern Sie ggf. den Spediteur zu einer Kontrolle der Ware auf.

- Entfernen Sie die Verpackung.
- Ziehen Sie die Schutzfolie von den Außenwänden ab. Entfernen Sie eventuelle Klebstoffreste mit geeigneten Lösungsmitteln.

### 6. GERÄTEAUFSTELLUNG

- Die Außenmaße des Geräts und die Position der Anschlüsse sind dem Installationsschema am Ende
- dieser Anleitungen zu entnehmen.
  - Das Gerät kann einzeln oder zusammen mit anderen Geräten derselben Baureihe installiert werden.
  - Das Gerät eignet sich nicht für den Einbau.
  - Halten Sie einen Mindestabstand von 10 cm von den angrenzenden Wänden ein.
  - Falls das Gerät in der Nähe von Wänden, Teilern, Möbelstücken, schmückenden Elementen, etc., müssen diese Elemente aus unentzündbarem Stoff hergestellt sind.
- Anderenfalls müssen sie mit passendem unentzündbaren wärmeisolierenden Stoff verkleidet sein.
- Nivellieren Sie das Gerät mithilfe der höhenverstellbaren Füße

#### **GERÄTEMONTAGE AUF SOCKEL, ALS BRÜCKENELEMENT**

Befolgen Sie die zusammen mit dem jeweiligen Halterungselement gelieferten Anleitungen.

#### **WRASENABZUGSSYSTEM**

Legen Sie den Wrasenabzug je nach " Gerätetyp " an. Der " Typ " steht auf dem Schild der Gerätedaten.

#### **GERÄTETYP " A1 "**

Stellen Sie den Gerätetyp "A1" unter einer Dunstabzugshaube auf, um den Abzug von beim Garen erzeugtem Dunst und Schwaden zu gewährleisten.

#### **GERÄTETYP " B21 "**

Stellen Sie den Gerätetyp "B21" unter einer Dunstabzugshaube auf.

#### **GERÄTETYP " B11 "**

Montieren Sie über dem Gerätetyp "B11" den passenden Rau-chabzug, der beim Gerätehersteller anzufordern ist. Befolgen Sie die dem Rauchabzug beiliegenden Anleitungen.

Schließen Sie ein bis zu 300°C hitzebeständiges Rohr mit 150/155 mm Durchmesser an den Rauchabzug an.

Führen Sie es nach außen oder in einen garantiert funktio-nierenden Schornstein ab. Das Rohr darf nicht länger als 3 Meter sein.

## RAUMLÜFTUNG

Die Räume, wo die gasbetriebenen Geräte installiert sind, müssen gut belüftet sein, um eine richtige Verbrennung und Belüftung des Gases zu erlauben. Insbesondere die Luftzufuhr, die für die Verbrennung nötig ist, muss mindestens 2 m<sup>3</sup>/St. pro installierten Kw nominaler Leistung sein.

## 7. ANSCHLÜSSE

Position und Abmessungen der Anschlüsse sind dem Installationsschema am Ende dieser Anleitungen zu entnehmen.

### ANSCHLUSS AN DIE GASLEITUNG

- Prüfen Sie, ob das Gerät auf die Gasart eingestellt ist, mit der es effektiv betrieben werden soll. Kontrollieren Sie dazu die Angaben auf den an der Verpackung und am Gerät befestigten Etiketten.
- Falls erforderlich, passen Sie das Gerät an die verwendete Gasart an. Gehen Sie nach den Anweisungen im folgenden Abschnitt "Umstellung auf einen anderen Gasbetrieb" vor.
- Für die Aufbaugeräte ist außerdem ein rückseitiger Anschluss verfügbar. Entfernen Sie den Verschluss und verschrauben Sie ihn hermetisch am frontseitigen Anschluss.
- Installieren Sie an einer leicht zugänglichen Stelle vor dem Gerät einen Schnellabsperrhahn.
- Verwenden Sie keine Anschlussrohre mit geringerem Durchmesser als dem des Gasanschlusses des Geräts.
- Stellen Sie nach dem Anschluss sicher, dass keine Undichtigkeiten an den Verbindungsstellen vorliegen.



### ANSCHLUSS AN DAS STROMNETZ

- Prüfen Sie, ob das Gerät auf die Spannung und die Frequenz eingestellt ist, mit der es effektiv betrieben wird. Kontrollieren Sie dazu das Schild der Gerätedaten und des Klemmbrettes.
- Vor dem Gerät in einem leicht zugänglichen Ort, eine allpolige Trennvorrichtung mit einem Kontaktabstand Distanz, die für die vollständige Trennung erlaubt unter den Bedingungen der Überspannungskategorie III installiert.
- Verwenden Sie ein flexibles Versorgungskabel mit einem Schutzmantel aus Gummi, das mindestens dem Typ H05 RN-F entsprechen muss.
- Schließen Sie das Versorgungskabel an die Klemmenleiste entsprechend dem mit dem Gerät gelieferten Schaltplan an.
- Klemmen Sie das Versorgungskabel mit der Kabelschelle fest.
- Schützen Sie den geräteexternen Abschnitt des Versorgungskabels mit einem Metallrohr oder einem steifen Kunststoffschlauch.
- Falls das Stromkabel beschädigt ist, muss es vom Hersteller oder von Service Techniker oder von einer qualifizierter Person eingewechselt werden, um alle Risiken vorzubeugen



**DAS SYMBOL "GEFÄHRLICHE SPANNUNG" BEDEUTET, DASS DIESE TEILE SIND VON GEFÄHRLICHER SPANNUNG BETROFFEN**

### VERBINDUNG ZUR ERDE UND EINEM KNOTEN POTENTIALAUSGLEICH

Schließen Sie das Elektrogerät an eine funktionstüchtige Erdung an. Verbinden Sie den Erdleiter mit der durch das Symbol  markierten Klemme neben der Eingangsklemmenleiste. Verbinden Sie die Metallkonstruktion des Elektrogeräts mit einem Potenzialausgleich. Verbinden Sie den Leiter mit der durch das Symbol  markierten Klemme an der Außenseite des Gerätebodens.

### ANSCHLUSS AN DIE WASSERLEITUNG

- Das Gerät ist mit Trinkwasser zu versorgen. Der Wasserdruck muss zwischen 150 kPa und 300 kPa betragen. Verwenden Sie einen Druckminderer, falls der Versorgungsdruck höher als der angegebene Höchstdruck sein sollte.
- Schalten Sie dem Gerät einen mechanischen Filter und einen Absperrhahn an einer leicht zugänglichen Stelle vor.
- Reinigen Sie vor dem Anschluss des Filters und des Geräts die Anschlussrohre, um etwaige Eisenschlacken zu entfernen.

- Verschließen Sie die unbenutzten Anschlüsse mit einem hermetischen Verschluss.
- Stellen Sie nach dem Anschluss sicher, dass keine Undichtigkeiten an den Verbindungsstellen vorliegen.

### **ANSCHLUSS AN DIE WASSERABFLÜSSE**

Die Abflussleitungen müssen aus bis zu 100 °C hitzebeständigen Materialien gefertigt sein. Der Geräteboden darf nicht dem vom Warmwasserablauf erzeugten Schwaden ausgesetzt werden.

Legen Sie deshalb unter dem Abflusshahn der Töpfe und gegenüber den Kippbratpfannen einen Bodenablaufschaft mit Gitter und Siphon an.



## **8. UMSTELLUNG AUF EINE ANDERE GASART**

In der Tabelle TAB1 sind angegeben:

- welche Gasarten für den Gerätebetrieb in Frage kommen.
- die Düsen und die Einstellungen für jede der verwendbaren Gasarten.
- Die in Tabelle TAB1 für die Düsen angegebene Nummer ist am Düsenkorpus eingepreßt.
- Zur Anpassung des Geräts an die Gasart, mit der es effektiv betrieben wird, die Anweisungen von Tabelle TAB1 befolgen und die nachstehenden Eingriffe vornehmen:
- Die Düse des Hauptbrenners ersetzen (UM).
- Den Luftregler des Hauptbrenners im Abstand A anbringen.
- Die Düse des Zündbrenners ersetzen (UP).
- Die Luftregelung des Zündbrenners vornehmen (falls erforderlich).
- Die Düse der Kleinststellung des Gasschaltnebels ersetzen (Um).
- Versehen Sie das Gerät mit dem auf den neuen Gasbetrieb hinweisenden Aufkleber.
- Düsen und Aufkleber sind im Lieferumfang des Geräts einbezogen.

### **ERSETZEN DER DÜSE UND DER HAUPTBRENNER REGULIERUNG DER PRIMÄRLUFT**

- Lockern Sie die Schraube V.
- Bauen Sie die Düse UM (in einem Bausatz mit dem Luftregler Z) aus und ersetzen Sie sie durch die mit der in Tabelle TAB1 angegebene Düse.

- Die Düse UM (in einem Bausatz mit dem Luftregler Z) wieder fest verschrauben.
- Bringen Sie den Luftregler Z auf den in der Tabelle TAB1 angegebenen Abstand A.
- Die Schraube V wieder fest verschrauben.
- Sämtliche Teile wieder einbauen. In umgekehrter Reihenfolge wie beim Ausbau vorgehen.

### **ERSATZ DER ZUNDBRENNERDÜSE**

- Nehmen Sie die Frontblende ab.
- Öffnen Sie die Tür.
- Schrauben Sie das Anschlussstück R aus.
- Bauen Sie die Düse UP aus und ersetzen Sie sie durch die in der Tabelle TAB1 angegebene Düse.
- Das Anschlussstück R wieder fest verschrauben. Sämtliche Teile wieder einbauen.
- Nach, in umgekehrter Reihenfolge, die Reihenfolge für ihre Aufhebung eingesetzt.

## **9. INBETRIEBNAHME**

Überprüfen Sie nach der Installation, der Anpassung an eine andere Gasart oder nach Wartungseingriffen den Gerätebetrieb. Liegen Betriebsstörungen an, können Sie im nachfolgenden Abschnitt "Abhilfe bei Betriebsstörungen" nachschlagen.

### **GASGERÄTE**

- Setzen Sie das Gerät entsprechend den Gebrauchsanleitungen und -hinweisen im Kapitel "GEBRAUCHSANLEITUNGEN" in Betrieb und kontrollieren Sie:
- den Gasversorgungsdruck (siehe nachstehenden Abschnitt).
- das vorschriftsmäßige Einschalten der Brenner und die Funktionstüchtigkeit der Wrasenabzugsanlage.

### **PRÜFUNG DES GASVERSORGUNGSDRUCKS**

- Verwenden Sie einen Druckmesser mit 0,1mbar Mindestauflösung.
- Bedienfeld entfernen.
- Entfernen Sie die Halteschraube vom Druckanschluss und schließen Sie den Druckmesser an.
- Nehmen Sie die Messung bei Gerätebetrieb vor.



**ACHTUNG! SOLLTE DER GASVERSORGUNGSDRUCK AUßERHALB DES BEREICHS DER GRENZWERTE (MIN. -**

**MAX. ) VON TABELLE TAB2 LIEGEN, MÜSSEN SIE DEN GERÄTEBETRIEB UNTERBRECHEN UND MIT DEM GASWERK RÜCKSPRACHE NEHMEN.**

Trennen Sie den Druckmesser und verschrauben Sie die Halteschraube wieder fest am Druckanschluss.

### GERÄTE ELECTRIC

Setzen Sie das Gerät entsprechend den Gebrauchsanleitungen und -hinweisen im Kapitel "GEBRAUCHSANLEITUNGEN" in Betrieb und kontrollieren Sie:

die Stromwerte jeder Phase.

das vorschriftsmäßige Einschalten der Heizelemente.

## III. BEDIENUNGSANWEISUNGEN

### 10. HINWEISE FÜR DEN BENUTZER



**LESEN SIE DIESE ANLEITUNG AUFMERKSAM DURCH. SIE ENTHÄLT WICHTIGE HINWEISE ZUR INSTALLATIONS, GEBRAUCHS-UND WARTUNGSSICHERHEIT DES GERÄTS. DER GERÄTEHERSTELLER IST NICHT HAFTBAR FÜR EVENTUELLE SCHÄDEN, DIE DURCH MISSACHTUNG DER NACHSTEHENDEN PFLICHTEN VERURSACHT WERDEN.**



Fordern Sie Kundendienstleistungen nur bei den vom Hersteller autorisierten Servicecentern an und verlangen Sie Originalersatzteile.

Das Gerät sollte zumindest zwei Mal jährlich gewartet werden. Wir raten zum Abschluss eines Wartungsvertrags.

Das Gerät ist für den gewerblichen Gebrauch durch geschultes Personal bestimmt.

Das Gerät dient zum Garen von Lebensmitteln gemäß den Gebrauchshinweisen. Jeder davon abweichende Gebrauch gilt als zweckwidrig.

Vermeiden Sie, das Gerät über längere Zeit hin leer zu betreiben. Heizen Sie das Gerät erst unmittelbar vor dem Gebrauch vor.

Überwachen Sie das Gerät während des Betriebs.

Schließen Sie bei Defekten oder Betriebsstörungen den Gasabsperrhahn und/oder unterbrechen Sie die Stromversorgung am Hauptschalter, die beide dem Gerät vorgeschaltet sind.

Beachten Sie bei der Reinigung die Anweisungen im Kapitel "REINIGUNGSANWEISUNGEN".



**BEWAHREN SIE KEINE ENTZÜNDBAREN STOFFE IN NÄHE DES GERÄTS AUF. BRANDGEFAHR.**

Verdecken Sie die am Gerät vorhandenen Belüftungsschlitze und Abflusöffnungen nicht.

Nehmen Sie keine unerlaubten Änderungen an den Gerätekomponenten vor.

Bewahren Sie diese Anleitung an einem sicheren und bekannten Ort auf, damit sie während der Nutzungsdauer des Geräts eingesehen werden kann.

Installation und Wartung des Geräts sind durch qualifiziertes und vom Hersteller autorisiertes Personal entsprechend den einschlägigen Sicherheitsbestimmungen und diesen Anleitungen vorzunehmen.

Wartung und Umstellung auf einen anderen Gasbetrieb des Geräts sind durch qualifiziertes und vom Hersteller autorisiertes Personal entsprechend den einschlägigen Sicherheitsbestimmungen und diesen Anleitungen vorzunehmen.

### 11. GEBRAUCH DER FRITTEUSE

Das Gerät darf ausschließlich für den Zweck benutzt werden, für den es eigens konzipiert wurde; d. h. zum Frittieren von Speisen in Öl oder Fett. Jeder andere Gebrauch gilt als bestimmungsfremd.

Besonders große und nicht abgetropfte Speisen können heiße Ölspritzer verursachen.

Öl nachfüllen, sobald der Ölstand unter die Kerbe für minimalen Ölstand sinkt.

Bevor das Becken mit Öl gefüllt wird, sicherstellen, dass es kein Wasser enthält.

Füllen Sie das Becken bis zur Markierung des Höchstfüllstands an der Beckenwand. Benutzen Sie das Gerät nicht, wenn der Höchstfüllstand überschritten wird.

Festes Fett muss zuvor in einem anderen Gefäß geschmolzen werden und darf erst in flüssigem Zustand in die Frittierwanne gegeben werden. Fett nach Abschluss des Frittierens nicht in der Wanne belassen.

Den Korb mit dem Frittiergut langsam und vorsichtig ins siedende Öl tauchen, damit der sich bildende Schaum nicht über den Wannrand überläuft. Falls Schaum austritt, den Korb vorübergehend anheben und einige Sekunden warten.

Schalten Sie die Beheizung nicht ein, solange kein Öl im Frittierbecken ist.

Das Gerät nicht über längere Zeit ohne zu kochen in Betrieb nehmen und nicht unter Bedingungen verwenden, die den optimalen Betrieb beeinträchtigen.

Öl nachfüllen, sobald der Ölstand unter die Mindest Kerbe sinkt (Brandgefahr).

Um einen besseren Ertrag zu gewährleisten, sollte das Öl regelmäßig gewechselt werden. Durch zu häufiges Erhitzen und Wiederverwenden des Öls sinkt die Temperatur, bei der es sich entzündet und die Tendenz, plötzlich aufzukochen, nimmt zu.

Das Gerät verfügt über einen von Hand rückstellbaren Sicherheitsthermostat, der die Beheizung unterbricht, wenn die Betriebstemperatur die zulässige Höchsttemperatur überschreitet.

Beachten Sie die maximale Belastung von Essen, die in der Tabelle der technischen Daten geschrieben ist

### **BEFÜLLUNG UND ENTFÜLLUNG DES TANKS VON TOP GERÄTE**

#### **FÜLLEN**

Die Top Geräte sind mit einem vorderen Abfluss ausgestattet der sich auf dem Bedienfeld befindet. Stellen Sie sicher, dass der Abfluss geschlossen ist (Hebel auf der rechten Seite).

Füllen Sie das Becken bis zur Markierung des Höchstfüllstands an der Beckenwand. Benutzen Sie das Gerät nicht wenn der Höchstfüllstand überschritten wird.

#### **ENTLEEREN**

Schalten Sie die Brenner aus.

Leeren des Tanks sollte bei kaltem Öl gemacht werden.

Einen ausreichend bemessenen und aus temperaturbeständigem Material bestehenden Auffangbehälter verwenden

Die Geräte der Serie 600 und 650 haben vornen Abfluss und sind daher mit Abfluss-Schlauch mit Bajonett ausgestattet.

Bewegen Sie den Hebel im Uhrzeigersinn. Der Abfluss ist komplett geöffnet, wenn der Griff auf der linken Seite ist. Falls erforderlich, leere Container mehrmals.

### **BEFÜLLUNG UND ENTFÜLLUNG DES TANKS VON GERÄTE**

#### **FÜLLEN**

- Drehen Sie den Griff des Ablaufventils gegen den Uhrzeigersinn. Der Ablauf ist nur bei Griff in waagerechter Stellung vollständig geschlossen.

- Füllen Sie das Becken bis zur Markierung des Höchstfüllstands an der Beckenwand. Benutzen Sie das Gerät nicht wenn der Höchstfüllstand überschritten wird.

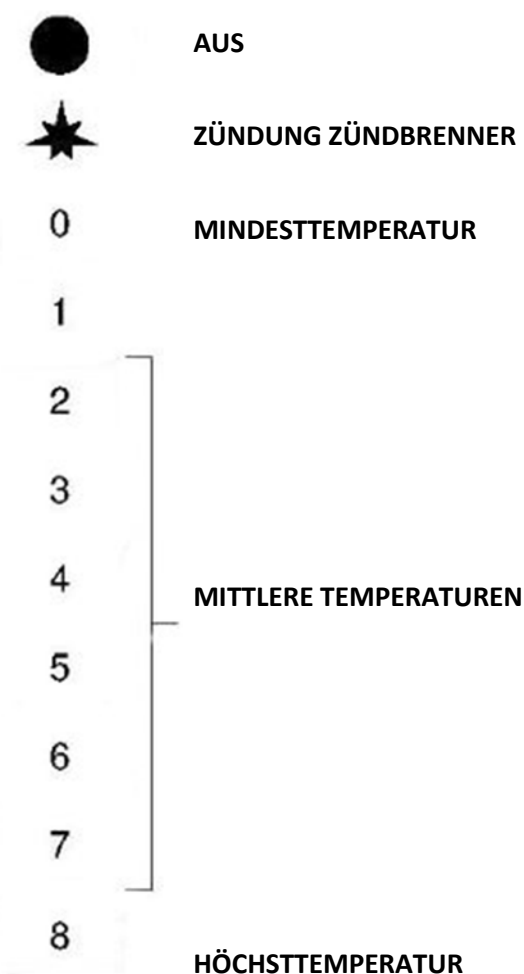
#### **ENTLEEREN**

- Schalten Sie die Brenner aus.
- Leeren des Tanks sollte bei kaltem Öl gemacht werden.
- Einen ausreichend bemessenen und aus temperaturbeständigem Material bestehenden Auffangbehälter verwenden
- Drehen Sie den Griff des Ablaufventils im Uhrzeigersinn. Der Ablauf ist bei Griff in senkrechter Stellung vollständig geöffnet. Wenn Sie brauchen, um den Behälter leeren mehrmals.

#### **GASFRITEUSEN**

##### **EIN- UND AUSSCHALTEN DER BRENNER**

Der Schaltknebel des Gasventils hat folgende Betriebsstellungen:



### ZÜNDUNG ZÜNDBRENNER

- Drehen Sie den Knebel des Wahlschalters auf "Zündung Zündbrenner".
- Den Druckknopf ganz hineindrücken und gleichzeitig den " Zündung Zündbrenner " Piezozünder drücken. Der Zündbrenner zündet automatisch.
- Dieser Vorgang kann durch die Schlitze auf der Bedienblende des Geräts überprüft werden.
- Den Druckknopf des Ventils für 10-15 Sekunden gedrückt halten, um das Thermoelement zu erwärmen, dann loslassen.
- Sollte der Zündbrenner erlöschen, den Vorgang wiederholen.

### EINSCHALTEN DES HAUPTBRENNERS

- Drehen Sie den Bedienknebel auf die der gewählten Gartemperatur entsprechenden Position.

### AUSSCHALTEN

- Zum Ausschalten des Hauptbrenners den Knebel auf " Zündung Zündbrenner " drehen.
- Um den Pilot auszuschalten, drücken Sie den Knopf " ausgeschaltet " , dann lasse Sie ihn frei.

### ELEKTROFRITEUSEN

### EIN- UND AUSSCHALTEN DER BRENNER

Der Knebel des Wahlschalters hat folgende Betriebsstellungen:

0	AUS
100    180	GARTEMPERATUR

### EINSCHALTEN

Drehen Sie den Bedienknebel auf die der gewählten Gartemperatur entsprechenden Position.

Die grüne Kontrolllampe leuchtet auf.

Die grüne Lampe zeigt an, dass das Gerät unter Spannung ist

Die gelbe Kontrolllampe leuchtet auf.

Das Erlöschen der gelben Kontrolllampe zeigt an, dass die gewählte Temperaturstufe erreicht wurde.

### AUSSCHALTEN

Drehen Sie den Knebel des Wahlschalters auf "0".

## 12. STILLSTANDZEITEN

Gehen Sie vor einer geplanten Stillstandzeit des Geräts wie folgt vor:

- Reinigen Sie das Gerät gründlich.
- Wischen Sie sämtliche Edelstahlflächen mit einem kurz zuvor in Vaselineöl getränkten Tuch ab, um einen Schutzfilm aufzubringen.
- Schließen Sie die dem Gerät vorgeschalteten Haupthähne oder -schalter.

Gehen Sie nach einer längeren Stillstandzeit des Geräts wie folgt vor:

- Kontrollieren Sie das Gerät, bevor Sie es wieder in Betrieb nehmen.
- Setzen Sie die Elektrogeräte bei Mindesttemperatur für wenigstens 60 Minuten in Betrieb.

## IV. REINIGUNGSANLEITUNGEN

### 13. REINIGUNGSHINWEISE



**LESEN SIE DIESE ANLEITUNG AUFMERKSAM DURCH. SIE ENTHÄLT WICHTIGE HINWEISE ZUR INSTALLATIONS, GEBRAUCHS-UND WARTUNGSSICHERHEIT DES GERÄTS. DER GERÄTEHERSTELLER IST NICHT HAFTBAR FÜR EVENTUELLE SCHÄDEN, DIE DURCH MISSACHTUNG DER NACHSTEHENDEN PFLICHTEN VERURSACHT WERDEN.**



**VOR DURCHFÜHRUNG JEDES EINGRIFFS MUSS DIE EVENTUELL VORHANDENE STROMZUFUHR ZUM GERÄT GETRENNT WERDEN.**

- Reinigen Sie täglich die Außenflächen aus mattiertem Edelstahl, die Flächen der Garbecken und der Kochplatten.
- Beauftragen Sie einen autorisierten Techniker mindestens zwei Mal im Jahr mit der Reinigung des Geräteinneren.

- Verwenden Sie keine korrosiven Produkte, um den Boden unter dem Gerät zu reinigen.
- Waschen Sie das Gerät nicht mit Spritzwasser oder Hochdruckwasserstrahlen.

### **MATTIERTE EDELSTAHLFLÄCHEN**

- Reinigen Sie die Flächen mit einem Tuch oder Schwamm und verwenden Sie dazu Wasser und handelsübliche Reiniger ohne Scheuermittel. Wischen Sie mit dem Tuch im Verlauf der Mattierung. Mehrmals nachspülen und anschließend sorgfältig abtrocknen.
- Keine Kratzschwämme oder andere Metallgegenstände verwenden.
- Verwenden Sie keine chemischen Produkte, die Chlor enthalten.
- Verwenden Sie keine spitzen Gegenstände, die die Flächen einritzen und beschädigen können.

### **GARBECKEN**

- Bringen Sie zur Reinigung der Becken das Wasser zum Kochen und fügen Sie nach Bedarf entfettende Produkte zu.
- Entfernen Sie mögliche Kalksteinablagerungen mit den entsprechenden Produkten.

## **v. WARTUNGSANLEITUNGEN**

### 14. HINWEISE FÜR DEN WARTUNGSTECHNIKER



**DER GERÄTEHERSTELLER IST NICHT HAFTBAR FÜR EVENTUELLE SCHÄDEN, DIE DURCH MISSACHTUNG DER NACHSTEHENDEN PFLICHTEN VERURSACHT WERDEN.**

Gerätemodell feststellen. Das Modell ist an der Verpackung und auf dem Schild der Gerätedaten vermerkt.

Installieren Sie das Gerät nur in gut belüfteten Räumen.

Verdecken Sie die am Gerät vorhandenen Belüftungsschlitze und Abflusöffnungen nicht. Nehmen Sie keine unerlaubten Änderungen an den Gerätekomponenten vor.

Wartung und Umstellung auf einen anderen Gasbetrieb des Geräts sind durch qualifiziertes und vom Hersteller autorisiertes Personal entsprechend den einschlägigen Sicherheitsbestimmungen und diesen Anleitungen vorzunehmen.

### 15. UMSTELLUNG AUF EINE ANDERE GASART

Siehe Kapitel "Installationsanleitungen".

### 16. INBETRIEBNAHME

Siehe Kapitel "Installationsanleitungen".

### 17. ABHILFE BEI BETRIEBSSTÖRUNGEN

#### **GASFRITEUSEN**

#### **DER ZÜNDBRENNER SCHALTET SICH NICHT EIN.**

Mögliche Ursachen:

- Unzureichender Gasversorgungsdruck.
- Die Leitung oder die Düse sind verstopft.
- Der Gashahn oder das Gasventil sind defekt.
- Die Zündkerze ist falsch angeschlossen oder defekt.
- Der Zünder oder das Zündkerzenkabel sind defekt.
- Auslösung oder Defekt des Sicherheitsthermostaten.

#### **DER ZÜNDBRENNER BLEBT NICHT EINGESCHALTET ODER ERLISCHT WÄHREND DES GEBRAUCHS.**

Mögliche Ursachen:

- Unzureichender Gasversorgungsdruck.
- Der Gashahn oder das Gasventil sind defekt.
- Das Thermoelement ist defekt oder wird nicht genügend erhitzt.
- Das Thermoelement ist nicht korrekt an den Gasschaltknebel oder das Gasventil angeschlossen.
- Der Bedienknebel des Gashahns oder des Gasventils wird nicht genügend gedrückt.

- Auslösung oder Defekt des Sicherheitsthermostaten.

**DER HAUPTBRENNER SCHALTET SICH (AUCH BEIM EINGESCHALTETEM ZÜNDBRENNER) NICHT EIN.**

Mögliche Ursachen:

- Unzureichender Gasversorgungsdruck.
- Die Leitung oder die Düse sind verstopft.
- Der Gashahn oder das Gasventil sind defekt.
- Der Brenner ist defekt (Gasaustrittsöffnungen verstopft).

**DIE HEIZLEISTUNG LÄSST SIE SICH NICHT REGULIEREN.**

Mögliche Ursachen:

- Der Gashahn ist defekt.
- Der Thermostat des Temperaturreglers ist defekt.

**ELEKTROFRITEUSEN**

**DAS GERÄT HEIZ NICHT.**

Mögliche Ursachen:

- Der Thermostat des Temperaturreglers ist defekt.
- Die Heizelemente sind defekt.

**DIE HEIZLEISTUNG LÄSST SIE SICH NICHT REGULIEREN.**

Mögliche Ursachen:

- Der Thermostat des Temperaturreglers ist defekt.

## 18. ERSATZ VON BAUTEILEN

**HINWEISE FÜR DEN ERSATZ VON BAUTEILEN**



**DEN GASABSPERRHAHN UND/ODER UNTERBRECHEN SIE DIE STROMVERSORGUNG AM HAUPTSCHALTER, DIE BEIDE DEM GERÄT VORGESCHALTET SIND.**



**STELLEN SIE NACH DEM ERSATZ EINER KOMPONENTE DES GASKREISES SICHER, DASS AN IHREN ANSCHLUSSSTELLEN AN DEN KREIS KEINE UNDICHTIGKEITEN VORLIEGEN.**



**VOR DURCHFÜHRUNG JEDES EINGRIFFS MUSS DIE EVENTUELL VORHANDENE STROMZUFUHR ZUM GERÄT GETRENNT WERDEN.**



**STELLEN SIE NACH DEM ERSATZ EINER KOMPONENTE DES STROMKREISES IHREN KORREKTEN ANSCHLUSS AN DIE VERKABELUNG SICHER.**

**GASFRITEUSEN**

**ERSATZ DES GASVENTILS UND DES SICHERHEITSTHERMOSTATS.**

- Entleeren Sie das Becken vollständig.
- Öffnen Sie die Tür.
- Bedienfeld entfernen.
- Nehmen Sie die Kugel aus ihrem Sitz am Becken.
- Entfernen und ersetzen Sie die Komponente.
- Den O-Ring des Fühlers/der Kugel im Becken ersetzen.
- Sämtliche Teile wieder einbauen. In umgekehrter Reihenfolge wie beim Ausbau vorgehen.

**ERSETZEN DER DÜSE UND DER HAUPTBRENNER REGULIERUNG DER PRIMÄRLUFT**

- Lockern Sie die Schraube V.
- Bauen Sie die Düse UM (in einem Bausatz mit dem Luftregler Z) aus und ersetzen Sie sie durch die mit der in Tabelle TAB1 angegebenen Düse.
- Die Düse UM (in einem Bausatz mit dem Luftregler Z) wieder fest verschrauben.
- Bringen Sie den Luftregler Z auf den in der Tabelle TAB1 angegebenen Abstand A.
- Die Schraube V wieder fest verschrauben.
- Sämtliche Teile wieder einbauen. In umgekehrter Reihenfolge wie beim Ausbau vorgehen.

**ERSATZ DES ZÜNDBRENNERS UND DES THERMOELEMENTS.**

- Öffnen Sie die Tür.
- Bedienfeld entfernen.
- Entfernen und ersetzen Sie die Komponente.
- Sämtliche Teile wieder einbauen. In umgekehrter Reihenfolge wie beim Ausbau vorgehen.



## **ELEKTROFRITEUSEN**

### **ERSATZ DES HEIZELEMENTS**

- Aufziehen Sie die Widerstände in vertikaler Stellung
- Entfernen Sie die schützende Fliese
- Trennen Sie die Widerstände
- Entfernen und ersetzen Sie die Komponente.
- Sämtliche Teile wieder einbauen. In umgekehrter Reihenfolge wie beim Ausbau vorgehen.

### **ERSATZEN DER LAMPE.**

- Bedienfeld entfernen.
- Entfernen und ersetzen Sie die Komponente.
- Sämtliche Teile wieder einbauen. In umgekehrter Reihenfolge wie beim Ausbau vorgehen.

### **ERSATZ DES BETRIEBS.**

- Bedienfeld entfernen.
- Nehmen Sie die Kugel aus ihrem Sitz am Becken.
- Entfernen und ersetzen Sie die Komponente.
- Sämtliche Teile wieder einbauen. In umgekehrter Reihenfolge wie beim Ausbau vorgehen.

## **19. REINIGUNG DER INNEREN GERÄTETEILE**

- Kontrollieren Sie den Zustand der inneren Geräteteile.
- Entfernen Sie die Rückstände etwaiger Unreinheiten.
- Prüfen und reinigen Sie das Wrasenabzugssystem.

## **20. HAUPTKOMPONENTEN**

### **GASFRITEUSEN**

- Gasventil
- HAUPTBRENNER
- Zündbrenner
- Thermoelement
- Zündkerze
- Piezozünder
- Sicherheitsthermostat

## **ELEKTROFRITEUSEN**

- Heizelement
- Betriebsthermostat
- Sicherheitsthermostat
- Kontrolllampe

## NL - INSTALLATIE - GEBRUIK - ONDERHOUD

### I. ALGEMENE MEDEDELINGEN



LEES DEZE HANDLEIDING AANDACHTIG DOOR. HET GEEFT BELANGRIJKE INFORMATIE OVER DE VEILIGHEID TIJDENS DE INSTALLATIE, HET GEBRUIK EN HET ONDERHOUD VAN DE APPARATUUR.



DE NIET-NALEVING VAN HET BOVENSTAANDE KAN DE VEILIGHEID VAN DE APPARATUUR BENADELEN.



DE FABRIKANT AANVAARDT GEEN AANSPRAKELIJKHEID VOOR SCHADE WEGENS DE NIET-NALEVING VAN DE ONDERSTAANDE PLICHTEN.



DE ORIGINELE TAAL WAARIN HET DOCUMENT IS OPGESTELD, IS HET ITALIAANS. IN HET GEVAL VAN ONDUIDELIJKHEDEN OF TWIJFEL KUNT U HET ORIGINEEL BIJ DE FABRIKANT AANVRAGEN.



VOOR DE INSTALLATIE, PLAATSING EN/OF BEVESTIGING EN AANSLUITING OP HET ELEKTRICITEITSNET VAN DE APPARATEN ZIJN BEPAALDE MAATREGELEN VEREIST. ZIE HET DEEL "AANWIJZINGEN VOOR DE INSTALLATIE".



VOOR DE REINIGING VAN DE APPARATEN ZIJN BEPAALDE MAATREGELEN VEREIST. ZIE HET DEEL "AANWIJZINGEN VOOR DE REINIGING".



OP DE PANELEN DIE TOEGANG BIEDEN TOT DELEN ONDER SPANNING IS HET SYMBOOL "HOOGSPANNING" AANGEBRACHT.



DEZE APPARATUUR IS BESTEMD VOOR COMMERCIËLE TOEPASSINGEN, BIJV. IN DE KEUKENS VAN RESTAURANTS, KANTINES, ZIEKENHUIZEN EN BEDRIJVEN ZOALS BAKKERIJEN, SLAGERS, ENZ.. HET IS NIET BESTEMD VOOR DE CONTINUE MASSAPRODUCTIE VAN VOEDSEL.



DEZE APPARATUUR IS ENKEL BESTEMD VOOR HET FRITUREN VAN VOEDSEL EN IS BESTEMD VOOR PROFESSIONEEL GEBRUIK. ELK ANDER GEBRUIK IS

#### ONEIGENLIJK.



REINIG DE APPARATUUR NIET MET DIRECTE WATERSTRALEN OF HOGEDRUK-OF STOOMREINIGERS.



VUL HET OLIEBAD ELKE KEER DAT HET PEIL ONDER DE MARKERING VAN HET MINIMUM DAALT BIJ. (BRANDGEVAAR).



VOOR EEN BETER RENDEMENT VAN DE APPARATUUR REGELMATIG DE GEBRUIKTE OLIE VERVANGEN. VAN OVERMATIG GEBRUIKTE OLIE NEEMT DE ONTVLAMMINGSTEMPERATUUR AF. BOVENDIEN HEEFT HET SNELLER DE NEIGING OM PLOTSELING AAN DE KOOK TE RAKEN.



PAS GOED OP HET PLOTSELING OVERKOKEN VAN DE OLIE BIJ GEBRUIK VAN TE VOCHTIG VOEDSEL OF TE VEEL VOEDSEL IN EENS.

Deze handleiding op een veilige en bekende plaats bewaren zodat ze gedurende de levensduur van de apparatuur kan worden geraadpleegd.

Deze apparatuur is ontworpen voor de bereiding van voedsel. Ze is bestemd voor een industrieel gebruik. Elk ander gebruik is oneigenlijk.

Deze apparatuur mag niet worden gebruikt door personen (met inbegrip van kinderen) met geringe lichamelijke, sensorische of geestelijke capaciteiten of die geen ervaring en kennis hebben.

Tenzij een verantwoordelijke voor hun veiligheid ze controleert of informeert over het gebruik van de apparatuur.

Laat het apparaat niet onbewaakt achter als kinderen aanwezig zijn en verzeker u ervan dat ze het apparaat niet gebruiken of ermee spelen.

Het personeel dat de apparatuur gebruikt moet worden getraind. Controleer de apparatuur tijdens het gebruik.



HOUD ONTVLAMBARE MATERIALEN BUITEN BEREIK VAN DE APPARATUUR. BRANDGEVAAR.

Installeer de apparatuur uitsluitend in voldoende geventileerde ruimten.

Door onvoldoende ventilatie ontstaat verstikkingsgevaar. Sluit het ventilatiesysteem niet af van de omgeving waarin de apparatuur is geïnstalleerd. Sluit de ventilatieopeningen van deze apparatuur en van andere apparatuur niet af.

Sluit de gaskraan en/of deactiveer de hoofdschakelaar van de elektrische voeding voor de apparatuur in het geval van een storing of defect aan de apparatuur.

De installatie en het ombouwen naar een ander gastype van de apparatuur dienen te worden verricht door gekwalificeerd en door de fabrikant erkend personeel, conform de toepasselijke veiligheidsnormen en de aanwijzingen van deze handleiding.

De onderhoud en het ombouwen naar een ander gastype van de apparatuur dienen te worden verricht door gekwalificeerd en door de fabrikant erkend personeel, conform de toepasselijke veiligheidsnormen en de aanwijzingen van deze handleiding.

Verricht de reiniging volgens de aanwijzingen van de paragraaf "AANWIJZINGEN VOOR DE REINIGING".

## 1. VERWIJDERING VERPAKKING EN APPARATUUR

### VERPAKKING

- De verpakking is gemaakt van milieuvriendelijke materialen. De recyclebare plastic componenten zijn:
- het transparante deksel, de zakjes van de handleiding en de verstuivers (van polyethyleen - PE).
- strips (polypropyleen - PP).

### APPARATUUR

- Meer dan 90% van het gewicht van de apparatuur bestaat uit recyclebare metalen (roestvrij staal, aluminium plaatstaal, koper.... ).
- De apparatuur moet conform de toepasselijke normen worden verwijderd.
- Maak haar onbruikbaar alvorens haar te verwijderen.
- Niet in het milieu werpen.



HET SYMBOOL VAN DE DOORGEKRUISTE AFVALBAK OP DE APPARATUUR OF OP DE VERPAKKING GEEFT AAN DAT HET PRODUCT AAN HET EINDE VAN DE NUTTIGE LEVENSDUUR GESCHIEDEN MOET WORDEN INGEZAMELD.

DE GESCHIEDEN INZAMELING VAN AFGEDANKTE APPARATUUR WORDT DOOR DE FABRIKANT GEORGANISEERD EN BEHEERD.

DE GEBRUIKER DIE DEZE APPARATUUR WIL AFDANKEN, MOET CONTACT OPNEMEN MET DE FABRIKANT EN DIENS SYSTEEM TOEPASSEN ZODAT DE APPARATUUR AAN HET EINDE VAN DE LEVENSDUUR GESCHIEDEN KAN WORDEN INGEZAMELD.

EEN CORRECTE GESCHIEDEN INZAMELING DRAAGT BIJ AAN HET VOORKOMEN VAN NEGATIEVE UITWERKINGEN OP HET MILIEU EN DE GEZONDHEID. HET BEVORDERT HET HERGEBRUIK EN/OF DE RECYCLING VAN DE MATERIALEN VAN DE APPARATUUR.

DE ILLEGALE VERWIJDERING VAN HET PRODUCT DOOR DE EIGENAAR ZAL VOLGENS DE TOEPASSELIJKE NORMEN WORDEN BESTRAFT.

## 2. VEILIGHEIDSINRICHTINGEN

### VEILIGHEIDSTHERMOSTAAT

- De fabrikant aanvaardt geen aansprakelijkheid voor schade wegens de niet-naleving van de onderstaande plichten.
- De apparatuur is voorzien van een handmatig herstelbare veiligheidsthermostaat die de verwarming onderbreekt als de bedrijfstemperatuur de toelaatbare maximum temperatuur overschrijdt.



HERSTEL DE FUNCTIONERING VAN DE APPARATUUR DOOR DE DEUR TE OPENEN EN OP DE HERSTELKNOP VAN DE THERMOSTAAT TE DRUKKEN. UITSLUITEND EEN GEKwalificeerd EN ERKEND TECHNICUS MAG DEZE HANDELING VERRICHTEN.

## II. AANWIJZINGEN VOOR DE INSTALLATIE

### 3. MEDEDELINGEN VOOR DE INSTALLATEUR



**LEES DEZE HANDLEIDING AANDACHTIG DOOR. HET GEEFT BELANGRIJKE INFORMATIE OVER DE VEILIGHEID TIJDENS DE INSTALLATIE, HET GEBRUIK EN HET ONDERHOUD VAN DE APPARATUUR.**



**DE NIET-NALEVING VAN HET BOVENSTAANDE KAN DE VEILIGHEID VAN DE APPARATUUR BENADELEN.**



**DE FABRIKANT AANVAARDT GEEN AANSPRAKELIJKHEID VOOR SCHADE WEGENS DE NIET-NALEVING VAN DE ONDERSTAANDE PLICHTEN.**

Het model van de apparatuur identificeren. Op de verpakking en op het typeplaatje van de

- apparatuur is het model aangegeven.
- Installeer de apparatuur uitsluitend in voldoende geventileerde ruimten.
- De installatie en het ombouwen naar een ander gastype van de apparatuur dienen te worden verricht door gekwalificeerd en door de fabrikant erkend personeel, conform de toepasselijke veiligheidsnormen en de aanwijzingen van deze handleiding.
- De onderhoud en het ombouwen naar een ander gastype van de apparatuur dienen te worden verricht door gekwalificeerd en door de fabrikant erkend personeel, conform de toepasselijke veiligheidsnormen en de aanwijzingen van deze handleiding.
- Sluit de ventilatieopeningen en de afvoeropeningen van de apparatuur niet af.
- Maak de componenten van de apparatuur niet onklaar.

#### 4. REFERENTIENORMEN EN -WETTEN

- Installeer de apparatuur conform de veiligheidsnormen die in het land van kracht zijn.

#### 5. UITPAKKEN

- Controleer de staat van de verpakking. Laat de goederen door de expediteur controleren als duidelijke schade zichtbaar is.
- Verwijder de verpakking.
- Verwijder de beschermfolie van de externe panelen. Verwijder eventuele lijmresten met een geschikt oplosmiddel.

#### 6. PLAATSING

Het installatieschema voorin deze handleiding bevat de buitenafmeting van de apparatuur en de positie van de aansluitingen.

- De apparatuur kan apart of samen met andere apparatuur uit hetzelfde assortiment worden geïnstalleerd.
- De apparatuur kan niet worden ingebouwd.
- Plaats de apparatuur altijd minstens 10 cm bij omringende wanden vandaan.
- De wanden, scheidingswanden, keukenkasten, sierelementen enz. waar het apparaat in de buurt wordt geplaatst, moeten van onbrandbare materialen zijn gemaakt.

Als het tegendeel waar is moeten ze worden bekleed met passend onbrandbaar, thermisch isolerend materiaal.

Plaats de apparatuur waterpas met behulp van de stelplaatjes.

#### **MONTAGE VAN DE APPARATUUR OP HET ONDERSTEL EN OP EEN BRUG**

Volg de aanwijzingen die met her gebruikte type steun worden geleverd.

#### **ROOKAFVOERSYSTEEM**

Leg de rookafvoer aan volgens het " type" apparatuur. Op het typeplaatje is het type apparatuur aangegeven.

#### **APPARATUUR TYPE "A1"**

Plaats de apparatuur type " A1 " onder een afzuigkap om het afzuigen van de rook en de dampen te waarborgen.

#### **APPARATUUR TYPE "B21"**

Plaats de apparatuur type "B21" onder een afzuigkap.

#### **APPARATUUR TYPE "B11"**

Monteer de geschikte schoorsteen op de apparatuur type " B11 ". Vraag dit aan bij de fabrikant van de apparatuur. Volg de montageaanwijzingen die samen met de schoorsteen worden geleverd.

Sluit een buis, bestendig tegen een temperatuur van 300°C, met een diameter van 150/155 mm aan

op de schoorsteen.

Voer hem naar buiten of naar een schoorsteen waarvan de efficiëntie is vastgesteld. De buis mag niet langer zijn dan 3 meter.

### **VENTILATIE VAN DE RUIMTE**

De installatieruimten van de gastoestellen dienen goed geventileerd te worden om een verbranding van het gas en een correcte ventilatie te waarborgen.

De luchtstroom die voor de verbranding nodig is, dient minstens 2 m<sup>3</sup>/h te bedragen voor elke nominale kW vermogen die is geïnstalleerd.

## **7. AANSLUITINGEN**

Het installatieschema achterin deze handleiding bevat de positie en de afmeting van de aansluitingen.

### **AANSLUITING OP GASLEIDING**

- Verifieer of de apparatuur kan functioneren met het gastype waarvan het wordt voorzien. Controleer de gegevens van de etiketten op de verpakking en de apparatuur.
- Pas de apparatuur aan het gebruikte gastype aan. Volg de aanwijzingen van de volgende paragraaf "Aanpassing op een ander gastype".
- Op apparatuur top is tevens een aansluiting achter verkrijgbaar. Draai de dop los en draai hem op de aansluiting voor vast.
- Installeer op een goed bereikbare plaats voor de apparatuur een kraan met een snelsluiser.
- Gebruik geen leidingen met een diameter die kleiner is dan de diameter van de gasaansluiting van de apparatuur.
- Verifieer na de aansluiting of de aansluitpunten niet lekken.

### **AANSLUITING OP ELEKTRICITEITSNET**

- Verifieer of de apparatuur kan functioneren met de spanning en de frequentie van de voeding. Controleer de gegevens van het typeplaatje van de apparatuur en het plaatje dat in de buurt van het klemmenbord is aangebracht.
- Installeer op een goed bereikbare plaats voor de apparatuur een omnipolaire afscheider met een opening tussen de contacten die een volledige afkoppeling volgens de voorwaarden van de overspanningscategorie III mogelijk maakt.


- Gebruik een flexibele voedingskabel met rubberen isolatie en eigenschappen die op zijn minst gelijk zijn aan het type H05 RN-F.
- Sluit de voedingskabel aan op het klemmenbord volgens de aanwijzingen van het schakelschema dat samen met de apparatuur is geleverd.
- Zet de voedingskabel vast met de wartel.
- Bescherm de voedingskabel buiten de apparatuur met een metalen of stugge plastic buis.
- Laat de beschadigde voedingskabel door de fabrikant, diens servicecentrum of door een soortgelijk gekwalificeerd personeel vervangen om risico's te vermijden.




**OP DE PANELEN DIE TOEGANG BIEDEN TOT DELEN ONDER SPANNING IS HET SYMBOOL "HOOGSPANNING" AANGEBRACHT.**

### **AANSLUITING OP DE AARDE EN OP EQUIPOTENTIAAL PUNT**

Sluit de elektrisch gevoede apparatuur aan op een functionerende aarding. Sluit de aardgeleider aan

op de aansluitklem met het symbool  dat is aangegeven naast de aansluitklem voor de inkomende lijn.

Sluit de metalen structuur van de elektrisch gevoede apparatuur aan op een equipotentiaal punt. Sluit de geleider aan op de aansluitklem met het symbool  dat aan de buitenkant van de bodem is aangegeven.

### **AANSLUITING OP WATERNET**

- Voorzie de apparatuur van drinkwater. De toevoerdruk van het water moet 150 - 300 kPa bedragen. Gebruik een drukreductor als de toevoerdruk hoger is dan de gegeven maximale druk.
- Installeer op een goed bereikbare plaats voor de apparatuur een mechanisch filter en een kraan.
- Verwijder eventueel ijzerhoudend afval uit de leidingen alvorens het filter en de apparatuur aan te sluiten.
- De niet-aangesloten aansluitingen met een waterdichte dop afsluiten.
- Verifieer na de aansluiting of de aansluitpunten niet lekken.

### **AANSLUITING OP WATERAFVOER**

De afvoerleidingen moeten gemaakt zijn van hittebestendig materiaal tot 100°C. De bodem van de apparatuur mag niet worden geraakt door de stoom die afkomstig is van de warm waterafvoer.

Breng een put met rooster aan in de vloer en een sifon onder de afvoer kraan van de pannen en voor de braadpannen.



## 8. AANPASSING OP EEN ANDER GASTYPE

Tabel TAB1 geeft:

- de gastypen die ze voor de functionering van de apparatuur kunnen gebruiken.
- de verstuivers en de regelingen voor de verschillende bruikbare gastypen.
- Het nummer van de verstuivers gegeven in tabel Tab1 is op de verstuiver aangebracht.
- Volg de aanwijzingen van de tabel TAB1 en verricht de onderstaande aanwijzingen om de apparatuur aan het gewenste gastype aan te passen:
- Vervang de verstuiver van de hoofdbrander (UM).
- Plaats de beluchter van de hoofdbrander op afstand A.
- Vervang de verstuiver van de waakvlam (UP).
- Regel de lucht van de waakvlam (wanneer nodig).
- Vervang de minimum verstuiver van de gaskraan (Um).
- Breng de sticker met het nieuwe gastype aan op de apparatuur.
- De verstuivers en de stickers worden samen met de apparatuur geleverd.

### **VERVANGING VAN DE VERSTUIVER VAN DE HOOFDBRANDER EN DE REGELING VAN DE PRIMAIRE LUCHT**

- Draai de schroef V los.
- Demonteer de verstuiver UM (en de beluchter Z) en vervang hem door de verstuiver beschreven in tabel TAB1.
- Draai de verstuiver UM (geassembleerd met de beluchter Z) helemaal aan.
- Plaats de beluchter Z op de afstand A gegeven in de tabel TAB1.
- Draai de schroef V helemaal aan.
- Hermonteer alle delen. Verricht de demontageprocedure in omgekeerde volgorde.

### **VERVANGING VAN DE VERSTUIVER VAN DE WAAKVLAMBRANDER**

- Demonteer het voorpaneel.
- Open de deur.

- Draai de verbinding R los.
- Demonteer de verstuiver UP en vervang hem door de verstuiver beschreven in tabel TAB1.
- Draai de aansluiting R helemaal aan. Hermonteer alle onderdelen.
- Verricht de demontageprocedure in omgekeerde volgorde.

## 9. INBEDRIJFSTELLING

Verifieer de functionering van de apparatuur na de installatie, de aanpassing op een ander gastype of onderhoud. Raadpleeg in het geval van storingen de volgende paragraaf "Storingen oplossen".

### **GASAPPARATUUR**

- Stel de apparatuur in werking volgens de gebruiksaanwijzingen en waarschuwingen beschreven in het hoofdstuk "GEBRUIKSAANWIJZINGEN" en verifieer:
- de gastoevoerdruk (zie de volgende paragraaf).
- de normale ontsteking van de branders en de doeltreffendheid van de rookafvoerinstallatie.

### **VERIFICATIE VAN DE GAS TOEVOERDRUK**

- Gebruik een drukregelaar met een resolutie van minstens 0,1 mbar.
- Demonteer het bedieningspaneel.
- Verwijder de schroef van de drukaansluiting PP en sluit de drukmeter aan.
- Verricht de meting bij werkende apparatuur.



**OPGELET! ALS DE GAS TOEVOERDRUK NIET BINNEN DE LIMIEWAARDEN (MIN. - MAX. ) BESCHREVEN IN DE TABEL TAB2 LIGT, ONDERBREEK DE FUNCTIONERING VAN DE APPARATUUR EN NEEM CONTACT OP MET HET GASBEDRIJF.**

Koppel de drukmeter af en draai de schroef op de drukaansluiting helemaal aan.

### **ELEKTRISCHE APPARATUUR**

Stel de apparatuur in werking volgens de gebruiksaanwijzingen en waarschuwingen beschreven in het hoofdstuk "GEBRUIKSAANWIJZINGEN" en verifieer: de stroomwaarden van elke fase. de normale ontsteking van de verwarmingsweerstand.

### III. GEBRUIKSAANWIJZINGEN

#### 10. MEDEDELINGEN VOOR DE GEBRUIKER



**LEES DEZE HANDLEIDING AANDACHTIG DOOR. HET GEEFT BELANGRIJKE INFORMATIE OVER DE VEILIGHEID TIJDENS DE INSTALLATIE, HET GEBRUIK EN HET ONDERHOUD VAN DE APPARATUUR.**



**DE FABRIKANT AANVAARDT GEEN AANSPRAKELIJKHEID VOOR SCHADE WEGENS DE NIET-NALEVING VAN DE ONDERSTAANDE PLICHTEN.**

Wend u voor assistentie uitsluitend tot erkende servicecentra en vraag om originele reserveonderdelen.

Onderhoud de apparatuur minstens twee keer per jaar. Het wordt aanbevolen een onderhoudscontract af te sluiten.

De apparatuur is bestemd voor professioneel gebruik en moet door getraind personeel worden gebruikt.

Gebruik de apparatuur voor de bereiding van voedsel zoals is beschreven in de gebruiksaanwijzingen. Elk ander gebruik is oneigenlijk.

Laat de apparatuur nooit lange tijd leeg functioneren. Warm het apparaat voor het gebruik op.

Controleer de apparatuur tijdens de werking.

Sluit de gaskraan en/of deactiveer de hoofdschakelaar van de elektrische voeding voor de apparatuur in het geval van een storing of defect aan de apparatuur.

Verricht de reiniging volgens de aanwijzingen van de paragraaf "AANWIJZINGEN VOOR DE REINIGING".



**HOUD ONTVLAMBARE MATERIALEN BUITEN BEREIK VAN DE APPARATUUR. BRANDGEVAAR.**

Sluit de ventilatieopeningen en de afvoeropeningen van de apparatuur niet af.

Maak de componenten van de apparatuur niet onklaar.

Deze handleiding op een veilige en bekende plaats bewaren zodat ze gedurende de levensduur van de apparatuur kan worden geraadpleegd.

De installatie en het onderhoud van de apparatuur dienen te worden verricht door gekwalificeerd en door de fabrikant erkend personeel, conform de toepasselijke veiligheidsnormen en de aanwijzingen van deze handleiding.

De onderhoud en het ombouwen naar een ander gastype van de apparatuur dienen te worden verricht door gekwalificeerd en door de fabrikant erkend personeel, conform de toepasselijke veiligheidsnormen en de aanwijzingen van deze handleiding.

#### 11. GEBRUIK VAN DE FRITEUSE

Deze apparatuur is uitsluitend bestemd voor het gebruik waarvoor ze is ontworpen, d.w.z. het frituren van voedsel in olie of gestold vet. Elk ander gebruik is oneigenlijk.

Door buitengewoon groot en niet-uitgelekt voedsel kan de warme olie gaan spetteren.

Vul het oliebad elke keer dat het peil onder de markering van het minimum daalt bij.

Verzeker u ervan dat het reservoir geen olie bevat alvorens de olie erin te gieten.

Vul het reservoir tot de markering van het maximum peil op de achterwand van het reservoir is bereikt. Gebruik geen apparatuur met een waterpeil dat hoger is dan de markering van het maximum peil.

Laat het vet eerst smelten en giet het vet vervolgens in het reservoir als gestold vet wordt gebruikt. Verwijder na de bereiding het vet uit het reservoir.

Laat de mand met voedsel langzaam in de kokende olie zakken. Let er daarbij op dat het schuim niet over de rand loopt. Haal de mand onmiddellijk een enkele seconde uit het vet als dit het geval is.

Activeer de verwarming niet als in het reservoir geen olie aanwezig is.

Laat de apparatuur nooit lange tijd leeg functioneren en voorkom situaties die het optimale rendement kunnen benadelen.

Vul het oliebad elke keer dat het peil onder de markering van het minimum daalt bij. (brandgevaar).

Voor een beter rendement van de apparatuur regelmatig de gebruikte olie vervangen. Van overmatig gebruikte olie neemt de ontvlammings temperatuur af. Bovendien heeft het sneller de neiging om plotseling aan de kook te raken.

De apparatuur is voorzien van een handmatig herstelbare veiligheidsthermostaat die de verwarming onderbreekt als de bedrijfstemperatuur de toelaatbare maximum temperatuur overschrijdt.

Houd u aan de maximale hoeveelheid voedsel die in de tabel met technische gegevens is gegeven.

## VULLEN EN LEGEN VAN HET RESERVOIR APPARATUUR TOP

### VULLEN

de apparatuur top is voorzien van een afvoer aan de voorkant op het bedieningspaneel.

verzeker u ervan dat de afvoer is gesloten, hendel naar rechts gedraaid.

Vul het reservoir tot de markering van het maximum peil op de achterwand van het reservoir is bereikt. Gebruik geen apparatuur met een waterpeil dat hoger is dan de markering van het maximum peil.

### LEGEN

Schakel de branders uit.

Leeg het reservoir als de olie is afgekoeld.

De houder waar de inhoud van het reservoir in wordt opgevangen moet geschikt zijn voor heet voedsel.

De apparatuur van de series 600 en 650 hebben een afvoer aan de voorkant en zijn daarom voorzien van een afvoerleiding met bajonetkoppeling.

draai de hendel rechtsonder. De afvoer is volledig geopend als het handvat helemaal naar links is gedraaid. Leeg de houder in meerdere keren als dit nodig is.

## VULLEN EN LEGEN VAN HET RESERVOIR STAANDE APPARATUUR

### VULLEN

- Draai het handvat van de afvoerkraan linksom. De afvoer is volledig gesloten als het handvat in de horizontale stand is geplaatst.
- Vul het reservoir tot de markering van het maximum peil op de achterwand van het reservoir is bereikt. Gebruik geen apparatuur met een waterpeil dat hoger is dan de markering van het maximum peil.

### LEGEN

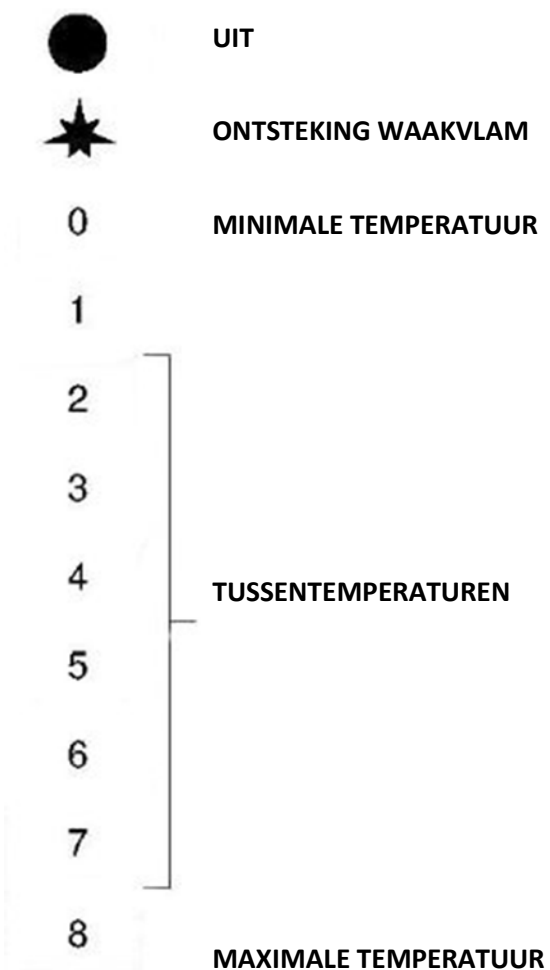
- Schakel de branders uit.
- Leeg het reservoir als de olie is afgekoeld.
- De houder waar de inhoud van het reservoir in wordt opgevangen moet geschikt zijn voor heet voedsel.

- Draai het handvat van de afvoerkraan rechtsonder. De afvoer is volledig geopend als het handvat in de verticale stand is geplaatst. Leeg de houder in meerdere keren als dit nodig is.

## FRITEUSES GAS

### ONTSTEKING EN UITDOVING BRANDERS

De knop van het gasventiel heeft de volgende standen:



### ONTSTEKING WAAKVLAM

- Draai de knop op de stand "ontsteking waakvlam"
- Druk de knop "ontsteking waakvlam" in en druk tegelijkertijd op de knop van de piëzo-elektrische ontsteker. De waakvlam gaat automatisch aan.
- Verifieer de ontsteking door de sleuf in het instrumentenpaneel van de apparatuur.
- Houd de knop van het ventiel 10-15 seconden ingedrukt zodat het thermokoppel kan opwarmen.



Laat de knop vervolgens los.

- Herhaal de handeling als de waakvlam uit gaat.

### **ONTSTEKING HOOFDBRANDER**

- Draai de knop op de stand behorende bij de gekozen bereidingstemperatuur.

### **UITSCHAKELING**

- Schakel de hoofdbrander uit door de knop "ontsteking waakvlam" te draaien.
- Schakel de waakvlam uit door de knop "uit" helemaal in te drukken en daarna los te laten.

### **FRITEUSES ELEKTRISCH**

### **ONTSTEKING EN UITDOIVING BRANDERS**

De knop van de keuzeschakelaar heeft de volgende standen:

0	UIT
100	180
	<b>BEREIDINGSTEMPERatuur</b>

### **ONTSTEKING**

Draai de knop op de stand behorende bij de gekozen bereidingstemperatuur.

Het groene lampje gaat branden.

Het groene lampje geeft aan dat het apparaat onder spanning is geplaatst.

Het gele lampje gaat branden.

Het gele lampje gaat uit om aan te geven dat de gekozen temperatuur is bereikt.

### **UITSCHAKELING**

Draai de knop op stand "0".

## **12. INUTILITEITSPERIODE**

Verricht de volgende procedure voor een voorziene, lange inactiviteit van de apparatuur:

- Maak de apparatuur nauwgezet schoon.
- Een lap bevochtigd met vaselineolie over de roestvrijstalen oppervlakken halen zodat ze door een beschermend laagje worden bedekt.
- Sluit de kranen of hoofdschakelaars voor de apparatuur.

Verricht de volgende procedure na een lange inactiviteit van de apparatuur:

- Controleer de apparatuur alvorens ze opnieuw te gebruiken.
- Laat de elektrische apparatuur minstens 60 minuten lang op minimale temperatuur werken.

## **IV. AANWIJZINGEN VOOR DE REINIGING**

### **13. MEDEDELINGEN VOOR DE REINIGING**



**LEES DEZE HANDLEIDING AANDACHTIG DOOR. HET GEEFT BELANGRIJKE INFORMATIE OVER DE VEILIGHEID TIJDENS DE INSTALLATIE, HET GEBRUIK EN HET ONDERHOUD VAN DE APPARATUUR.**



**DE FABRIKANT AANVAARDT GEEN AANSPRAKELIJKHEID VOOR SCHADE WEGENS DE NIET-NALEVIING VAN DE ONDERSTAANDE PLICHTEN.**



**HAAL DE ELEKTRISCHE VOEDING VAN DE APPARATUUR LOS, INDIEN AANWEZIG, ALVORENS EEN HANDELING TE VERRICHTEN.**

- Reinig dagelijks de externe, gesatineerde oppervlakken van roestvrij staal, het oppervlak van de reservoirs en het oppervlak van de platen.
- Laat de interne onderdelen van de apparatuur minstens twee keer per jaar door een erkend technicus reinigen.
- Maak de vloer onder de apparatuur niet schoon met bijtende producten.
- Reinig de apparatuur niet met directe waterstralen of hogedrukreinigers.

### **GESATINEERDE ROESTVRIJSTALEN OPPERVAKKEN**

- Maak de oppervlakken schoon met een doek of een lap bevochtigd met water en normale, niet-schurende reinigingsmiddelen. Wrijf met de doek

in de richting van de satining. Spoel regelmatig af en maak vervolgens zorgvuldig droog.

- Gebruik geen metalen schuursponsjes of andere ijzeren voorwerpen.
- Gebruik geen chemische producten die chloor bevatten.
- Gebruik geen scherpe voorwerpen die krassen in de oppervlakken kunnen achterlaten.

#### **BEREIDINGSRESERVOIRS**

- Maak de reservoirs schoon door water met eventueel ontvettingsmiddelen aan de kook te brengen.
- Verwijder eventuele kalkresten met behulp van geschikte producten.

## **v. ONDERHOUDSAANWIJZINGEN**

### 14. MEDEDELINGEN VOOR HET ONDERHOUDSPERSONEEL



**DE FABRIKANT AANVAARDT GEEN  
AANSPRAKELIJKHEID VOOR SCHADE  
WEGENS DE NIET-NALEVING VAN DE  
ONDERSTAANDE PLICHTEN.**

Het model van de apparatuur identificeren. Op de verpakking en op het typeplaatje van de apparatuur is het model aangegeven. Installeer de apparatuur uitsluitend in voldoende geventileerde ruimten. Sluit de ventilatieopeningen en de afvoeropeningen van de apparatuur niet af. Maak de componenten van de apparatuur niet onklaar.

De onderhoud en het ombouwen naar een ander gastype van de apparatuur dienen te worden verricht door gekwalificeerd en door de fabrikant erkend personeel, conform de toepasselijke veiligheidsnormen en de aanwijzingen van deze handleiding.

### 15. AANPASSING OP EEN ANDER GASTYPE

Zie het hoofdstuk " Installatieaanwijzingen ".

## 16. INBEDRIJFSTELLING

Zie het hoofdstuk " Installatieaanwijzingen ".

## 17. STORINGEN OPLOSSEN

### **FRITEUSES GAS**

#### **DE WAAKVLAMBRANDER GAAT NIET AAN.**

Mogelijke oorzaken:

- De gastoevoerdruk is te laag.
- De leiding of de verstuiver is verstopt.
- De gaskraan of het gasventiel is kapot.
- De ontstekingsbougie is verkeerd aangesloten of is defect.
- De ontsteker of de bougiekabel is defect.
- Veiligheidsthermostaat heeft ingegrepen of is defect.

#### **DE WAAKVLAMBRANDER BLIJFT NIET BRANDEN OF GAAT UIT TIJDENS HET GEBRUIK.**

Mogelijke oorzaken:

- De gastoevoerdruk is te laag.
- De gaskraan of het gasventiel is kapot.
- Het thermokoppel is defect of wordt onvoldoende opgewarmd.
- Het thermokoppel is verkeerd op de kraan of het gasventiel aangesloten.
- De knop van de gaskraan of het gasventiel wordt niet voldoende ingedrukt.
- Veiligheidsthermostaat heeft ingegrepen of is defect.

#### **DE HOOFDBRANDER GAAT NIET AAN (OOK AL BRANDT DE WAAKVLAM).**

Mogelijke oorzaken:

- De gastoevoerdruk is te laag.
- De leiding of de verstuiver is verstopt.
- De gaskraan of het gasventiel is kapot.
- De brander is defect (gas uitvoeropeningen verstopt).

#### **DE VERWARMING KAN NIET WORDEN GEREGELD.**

Mogelijke oorzaken:

- het gasventiel is kapot.
- De thermostaat voor de regeling van de temperatuur is defect.

### **FRITEUSES ELEKTRISCH**

#### **DE APPARATUUR WARMT NIET OP.**

Mogelijke oorzaken:

- De thermostaat voor de regeling van de temperatuur is defect.
- De weerstanden zijn defect.

#### **DE VERWARMING KAN NIET WORDEN GEREGELD.**

Mogelijke oorzaken:

- De thermostaat voor de regeling van de temperatuur is defect.

## 18. VERVANGING VAN DE COMPONENTEN

### **MEDEDELINGEN VOOR DE VERVANGING VAN COMPONENTEN**



**SLUIT DE GASKRAAN EN/OF DEACTIVEER DE HOOFDSCHAKELAAR VAN DE ELEKTRISCHE VOEDING VOOR HET APPARAAT AF.**



**VERIFIEER NA DE VERVANGING VAN EEN ELEMENT VAN HET GASCIRCUIT OF DE AANSLUITPUNTEN OP HET CIRCUIT NIET LEKKEN.**



**HAAL DE ELEKTRISCHE VOEDING VAN DE APPARATUUR LOS, INDIEN AANWEZIG, ALVORENS EEN HANDELING TE VERRICHTEN.**



**VERIFIEER NA DE VERVANGING VAN EEN COMPONENT VAN HET ELEKTRISCHE CIRCUIT OF HET CORRECT OP DE BEDRADING IS AANGESLOTEN.**

### **FRITEUSES GAS**

#### **VERVANGING VAN HET GASVENTIEL EN DE VEILIGHEIDSTHERMOSTAAT.**

- Leeg het reservoir helemaal.

- Open de deur.
- Demonteer het bedieningspaneel.
- Verwijder de bol van zijn plaats bevestigd aan het reservoir.
- Demonteer en vervang het component.
- Vervang de o-ring van de sonde/bol in het reservoir.
- Hermonteer alle delen. Verricht de demontageprocedure in omgekeerde volgorde.

#### **VERVANGING VAN DE VERSTUIVER VAN DE HOOFDBRANDER EN DE REGELING VAN DE PRIMAIRE LUCHT**

- Draai de schroef V los.
- Demonteer de verstuiver UM (en de beluchter Z) en vervang hem door de verstuiver beschreven in tabel TAB1.
- Draai de verstuiver UM (geassembleerd met de beluchter Z) helemaal aan.
- Plaats de beluchter Z op de afstand A gegeven in de tabel TAB1.
- Draai de schroef V helemaal aan.
- Hermonteer alle delen. Verricht de demontageprocedure in omgekeerde volgorde.

#### **VERVANGING VAN DE WAAKVLAMBRANDER EN HET THERMOKOPPEL.**

- Open de deur.
- Demonteer het bedieningspaneel.
- Demonteer en vervang het component.
- Hermonteer alle delen. Verricht de demontageprocedure in omgekeerde volgorde.

### **FRITEUSES ELEKTRISCH**

#### **VERVANGING VAN DE WEERSTAND**

- Breng de weerstanden in verticale stand omhoog.
- Verwijder de afscherming onder.
- Koppel de weerstanden af.
- Demonteer en vervang het component.
- Hermonteer alle delen. Verricht de demontageprocedure in omgekeerde volgorde.

#### **VERVANGING VAN DE LAMP**

- Demonteer het bedieningspaneel.

- Demonteer en vervang het component.
- Hermonteer alle delen. Verricht de demontageprocedure in omgekeerde volgorde.

#### **VERVANGING VAN DE BEDRIJFSTHERMOSTAAT.**

- Demonteer het bedieningspaneel.
- Verwijder de bol van zijn plaats bevestigd aan het reservoir.
- Demonteer en vervang het component.
- Hermonteer alle delen. Verricht de demontageprocedure in omgekeerde volgorde.

### 19. REINIGING VAN DE INTERNE ONDERDELEN

- Controleer de staat van de inwendige onderdelen van de apparatuur.
- Verwijder eventueel vuil.
- Controleer en reinig het rookafvoersysteem.

### 20. HOOFDCOMPONENTEN

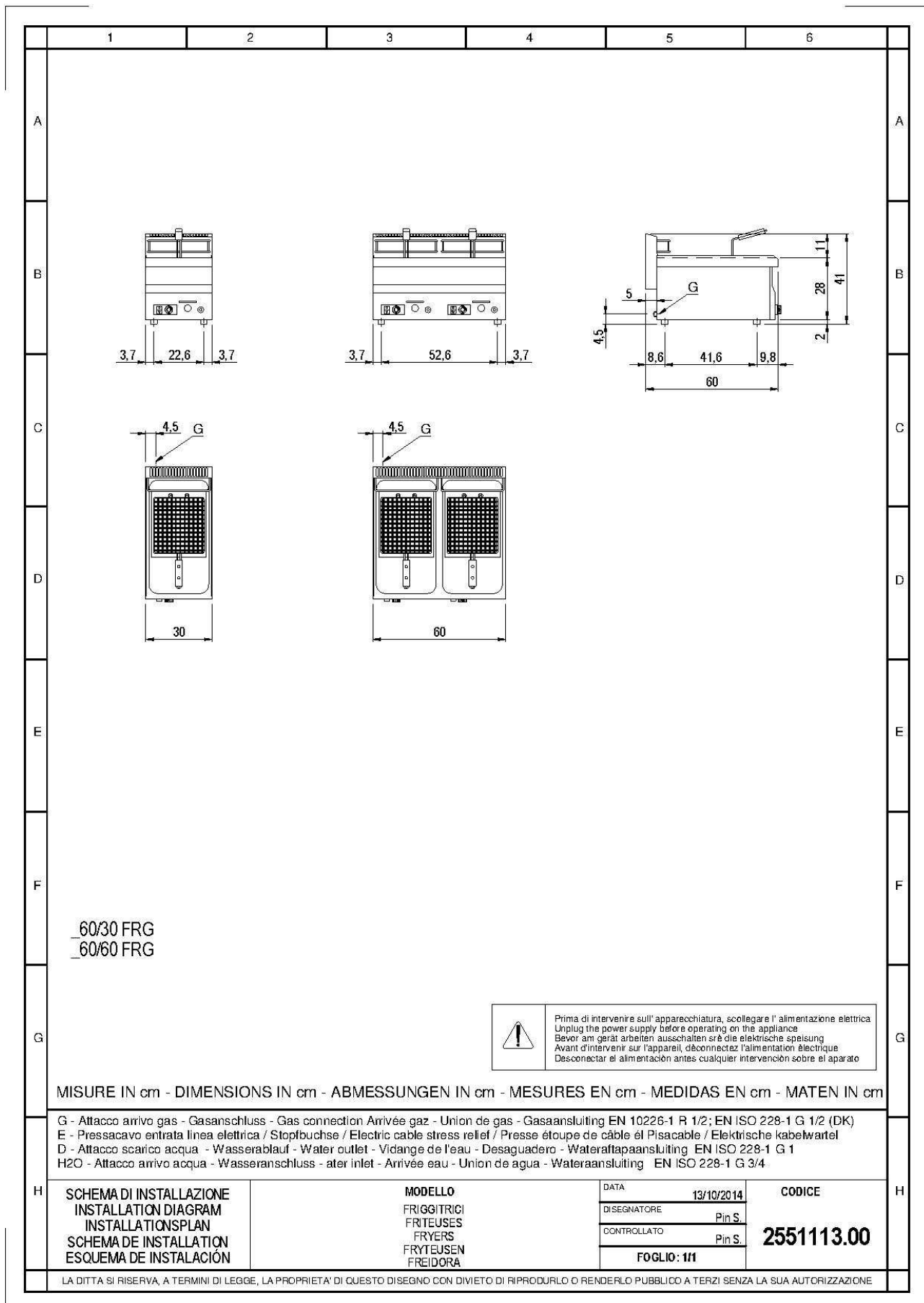
#### **FRITEUSES GAS**

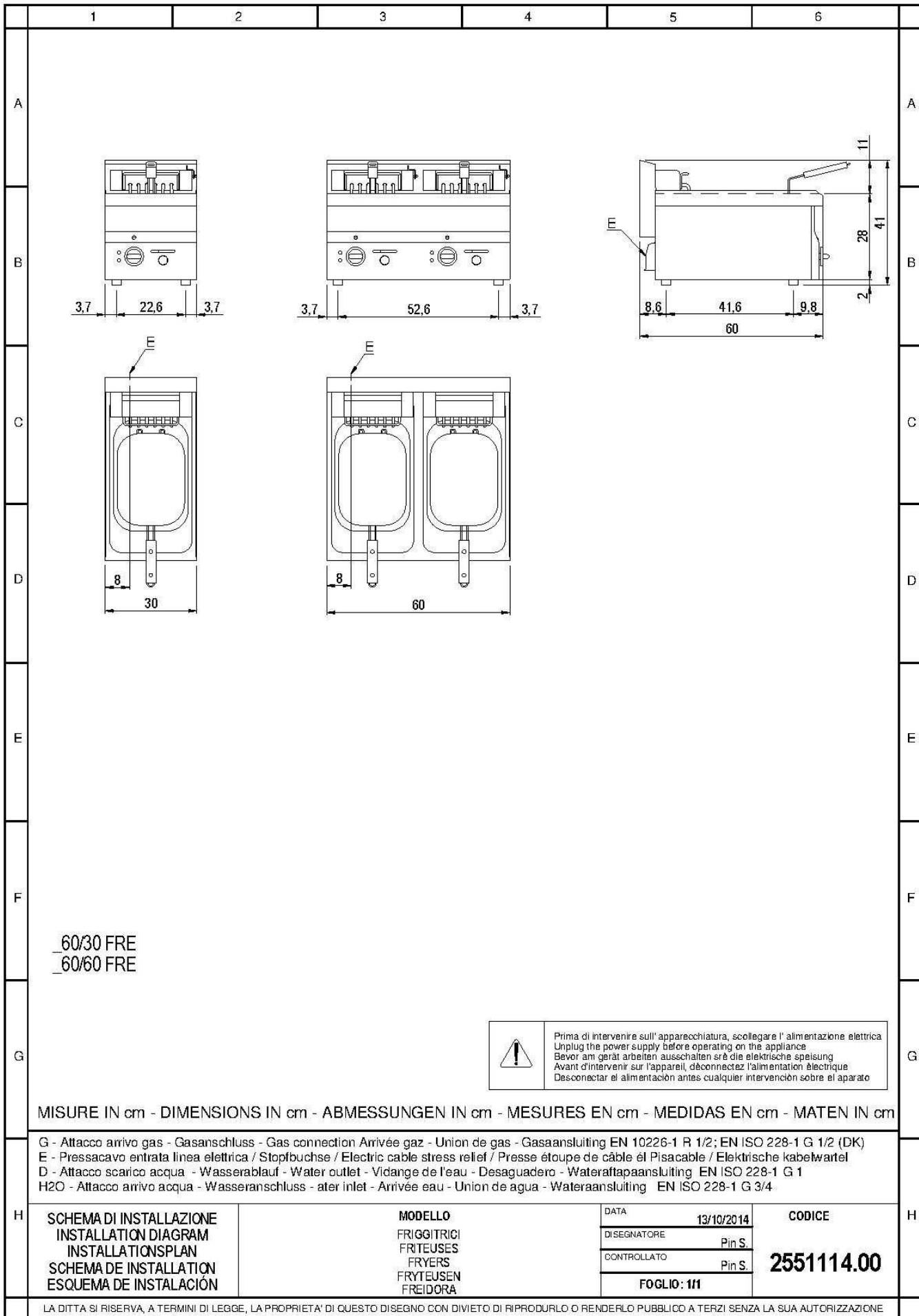
- Gasventiel
- HOOFDBRANDER
- Waakvlambrander
- Thermokoppel
- Ontstekingsbougie
- Piëzo-elektrische ontsteker
- Veiligheidsthermostaat

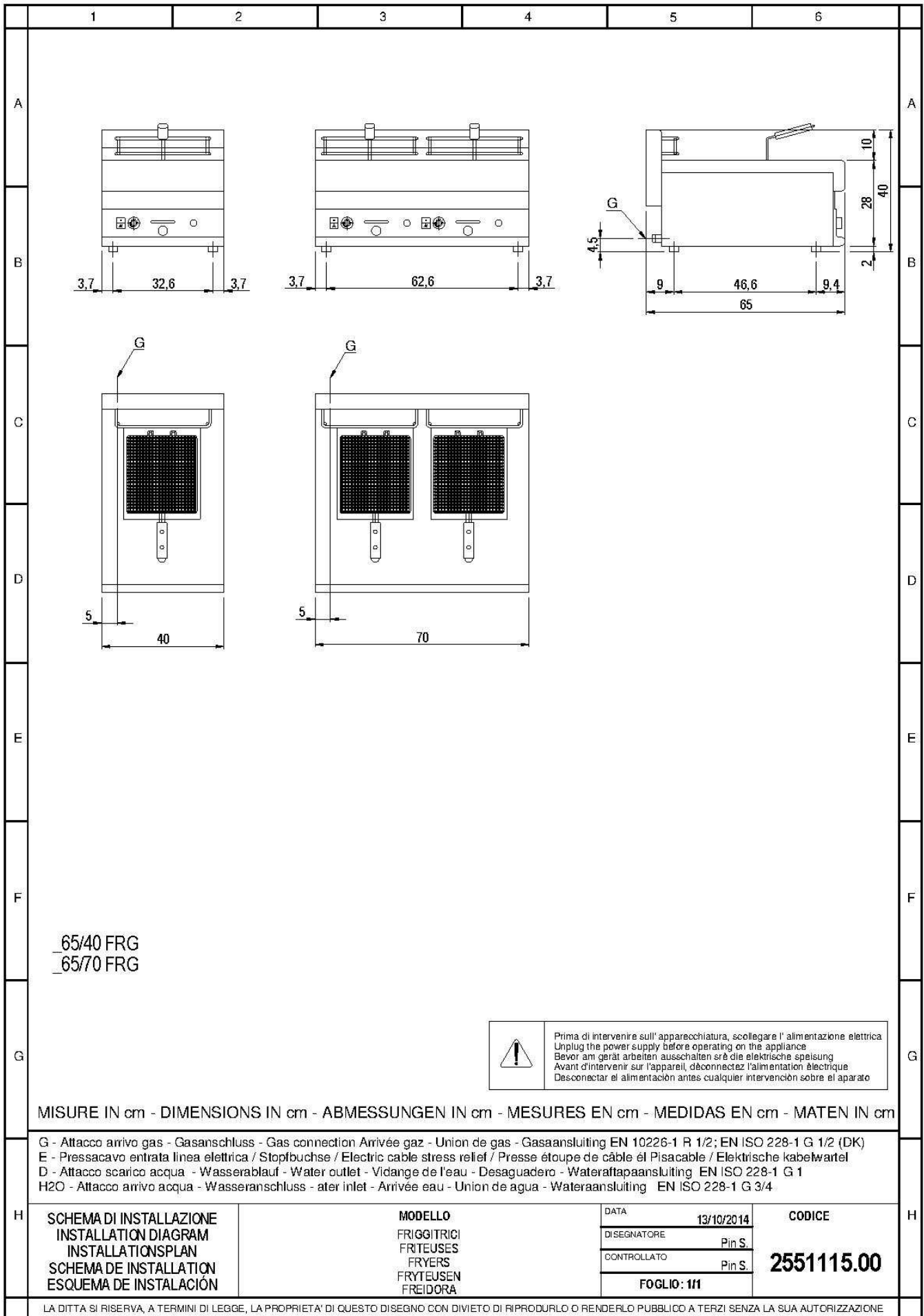
#### **FRITEUSES ELEKTRISCH**

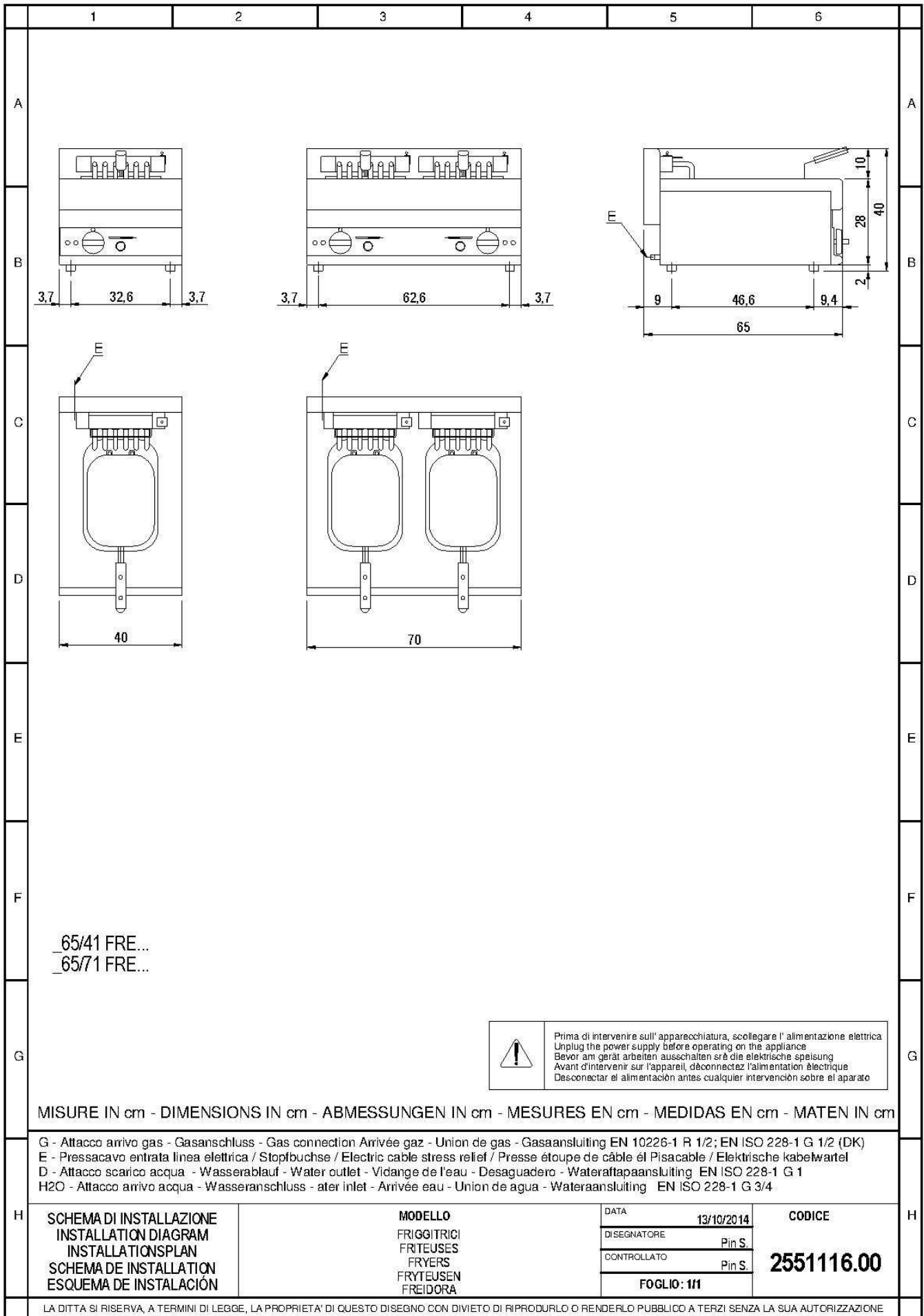
- Weerstand
- Bedrijfthermostaat
- Veiligheidsthermostaat
- Lampje

**VI. SCHEMI DI INSTALLAZIONE – INSTALLATIONS PLAN - INSTALLATION DIAGRAM – SCHEMA D'INSTALLATION – ESQUEMA DE INSTALACION - INSTALLATIESCHEMA'S**

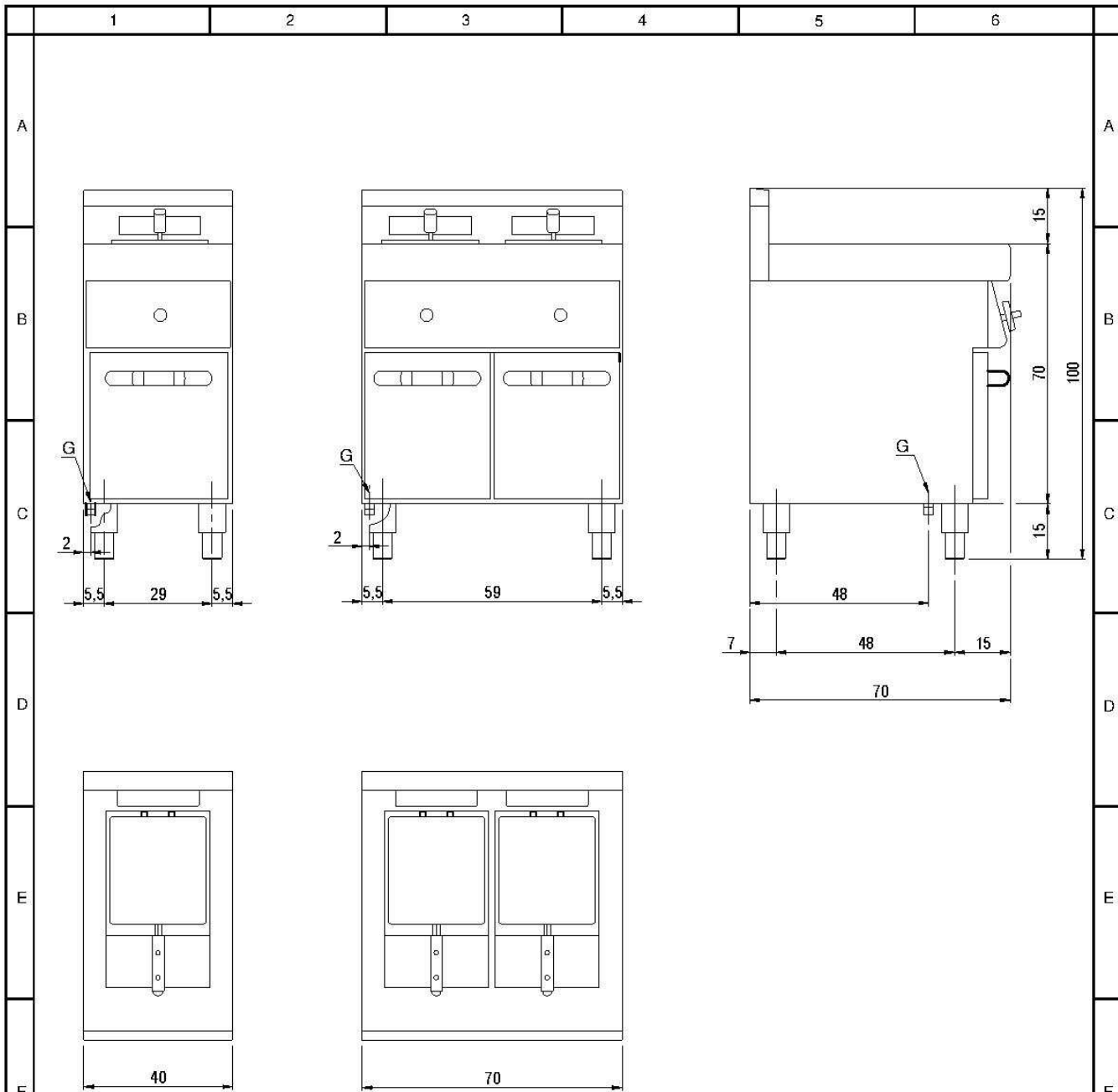












70/40 FRG 13...  
70/70 FRG 13...

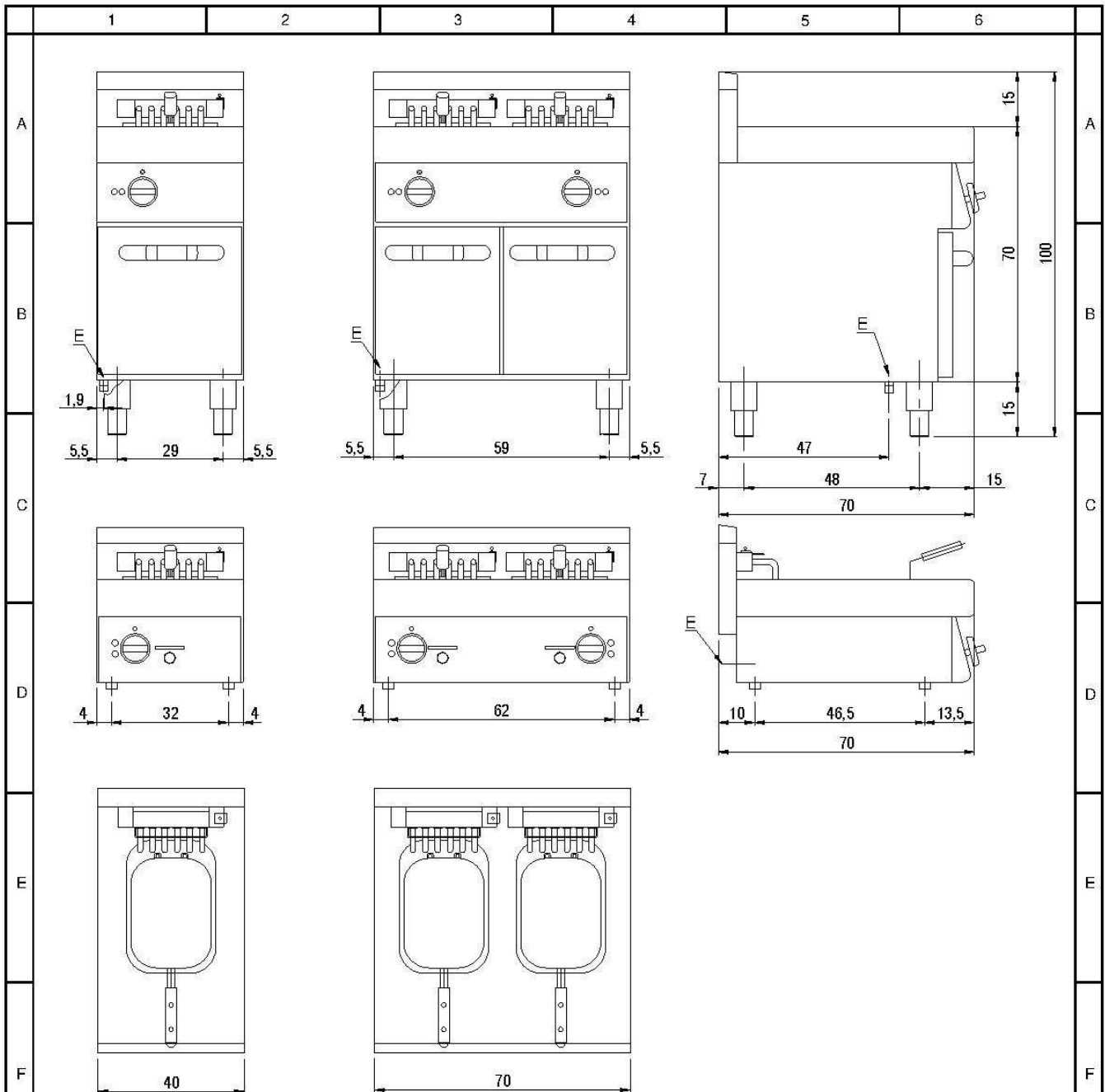
Prima di intervenire sull'apparecchiatura, scollegare l'alimentazione elettrica  
Unplug the power supply before operating on the appliance  
Bevor am gerät arbeiten ausschalten srß die elektrische speisung  
Avant d'intervenir sur l'appareil, dßconnectez l'alimentation Electrique  
Desconectar el alimentacion antes cualquier intervencion sobre el aparato

MISURE IN cm - DIMENSIONS IN cm - ABMESSUNGEN IN cm - MESURES EN cm - MEDIDAS EN cm - MATEN IN cm

G - Attacco arrivo gas - Gasanschluss - Gas connection Arrivée gaz - Union de gas - Gasaansluiting EN 10226-1 R 1/2; EN ISO 228-1 G 1/2 (DK)  
E - Pressacavo entrata linea elettrica / Stopfbuchse / Electric cable stress relief / Presse étoupe de câble el Pisacable / Elektrische kabelwartel  
D - Attacco scarico acqua - Wasserablauf - Water outlet - Vidange de l'eau - Desaguadero - Wateraftapaansluiting EN ISO 228-1 G 1  
H2O - Attacco arrivo acqua - Wasseranschluss - ater inlet - Arrivée eau - Union de agua - Wateraansluiting EN ISO 228-1 G 3/4

H	SCHEMA DI INSTALLAZIONE INSTALLATION DIAGRAM INSTALLATIONSPLAN SCHEMA DE INSTALLATION ESQUEMA DE INSTALACIÓN	MODELLO FRIGGITRICI FRITEUSES FRYERS FRYTEUSEN FREIDORA	DATA	13/10/2014	CODICE
			DISEGNATORE	Pin S.	
			CONTROLLATO	Pin S.	2551117.00
			FOGLIO: 111		

LA DITTA SI RISERVA, A TERMINI DI LEGGE, LA PROPRIETA' DI QUESTO DISEGNO CON DIVIETO DI RIPRODURLO O RENDERLO PUBBLICO A TERZI SENZA LA SUA AUTORIZZAZIONE



70/40 FRE 10...-T  
70/70 FRE 10...-T

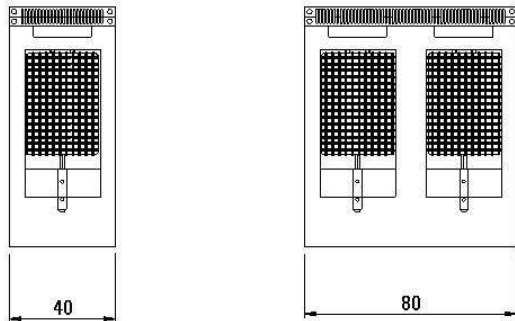
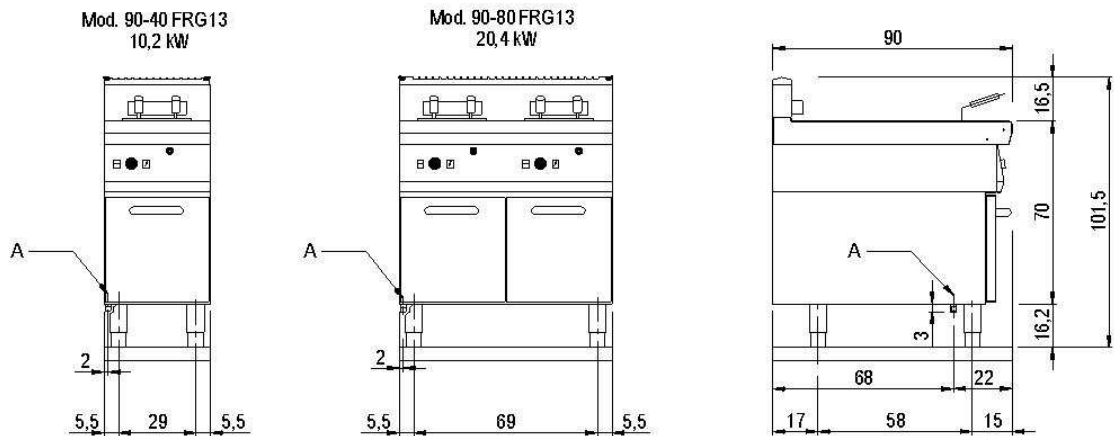
Prima di intervenire sull'apparecchiatura, scollegare l'alimentazione elettrica  
Unplug the power supply before operating on the appliance  
Bevor am gerät arbeiten ausschalten sr die elektrische speisung  
Avant d'intervenir sur l'appareil, dconnectez l'alimentation électrique  
Desconectar el alimentacion antes cualquier intervencion sobre el aparato

MISURE IN cm - DIMENSIONS IN cm - ABMESSUNGEN IN cm - MESURES EN cm - MEDIDAS EN cm - MATEN IN cm

G - Attacco arrivo gas - Gasanschluss - Gas connection Arrivée gaz - Union de gas - Gasaansluiting EN 10226-1 R 1/2; EN ISO 228-1 G 1/2 (DK)  
E - Pressacavo entrata linea elettrica / Stopfbuchse / Electric cable stress relief / Presse étoupe de câble el Pisacable / Elektrische kabelwartel  
D - Attacco scarico acqua - Wasserablauf - Water outlet - Vidange de l'eau - Desaguadero - Wateraftapaansluiting EN ISO 228-1 G 1  
H2O - Attacco arrivo acqua - Wasseranschluss - ater inlet - Arrivée eau - Union de agua - Wateraansluiting EN ISO 228-1 G 3/4

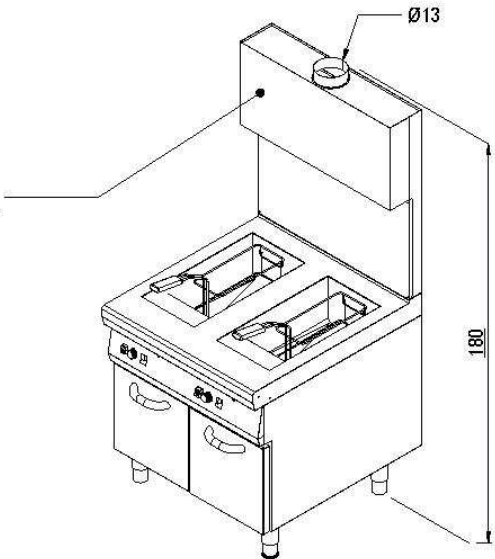
H	SCHEMA DI INSTALLAZIONE INSTALLATION DIAGRAM INSTALLATIONSPLAN SCHEMA DE INSTALLATION ESQUEMA DE INSTALACIÓN	MODELLO FRIGGITRICI FRITEUSES FRYERS FRYEUSEN FREIDORA	DATA	13/10/2014	CODICE
			DI SEGNA TORE	Pin S.	
			CONTROLLATO	Pin S.	2551118.00
			FOGLIO: 111		

LA DITTA SI RISERVA, A TERMINI DI LEGGE, LA PROPRIETA' DI QUESTO DISEGNO CON DIVIETO DI RIPRODURLO O RENDERLO PUBBLICO A TERZI SENZA LA SUA AUTORIZZAZIONE



CAMINO ANTIVENTO  
PER APPARECCHI DI TIPO "B11"

DRAUGHT DIVERTER  
FOR APPLIANCES TYPE "B11"



A= Attacco gas / Arrivee gaz / Gasanschluss / Gas inlet  
EN 10226-1 R 1/2  
EN ISO228-1 G 1/2 (DK)

Mod. 90-40 FRG13

Tipo di apparecchi "A1"

Appareilles du type "A1" - Aparatos de tipo "A1" - Geräte-Typ "A1" - Type of appliances "A1"

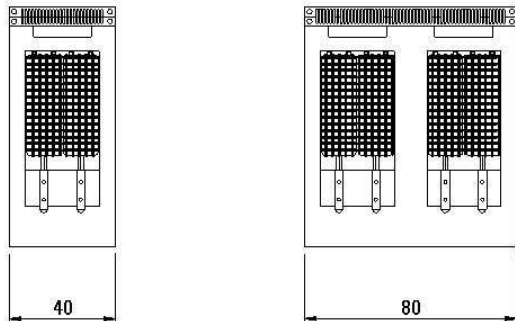
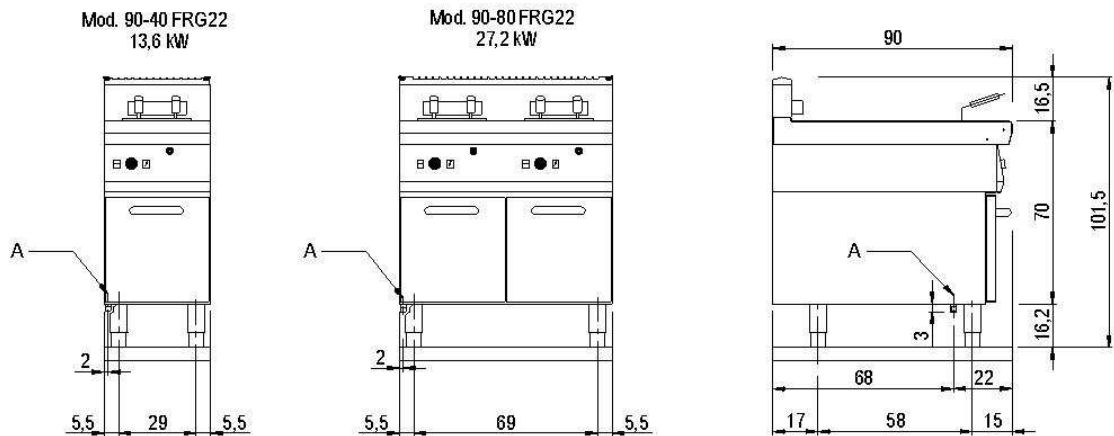
Mod. 90-80 FRG13

Tipo di apparecchi "A1/B11"

Appareilles du type "A1/B11" - Aparatos de tipo "A1/B11" - Geräte-Typ "A1/B11" - Type of appliances "A1/B11"

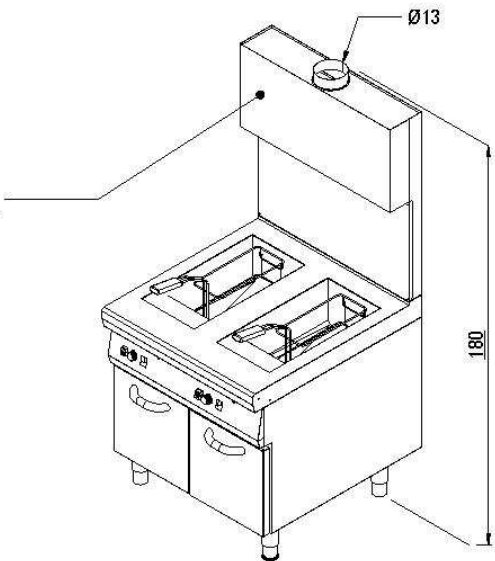
SCHEMA DI INSTALLAZIONE SCHEMA DE INSTALLATION INSTALLATION DIAGRAM INSTALLATIONSPLAN ESQUEMA DE INSTALACION	<b>MODELLO</b> FRIGGITRICI GAS FRITEUSES GAZ GAS FRYERS GAS FRYTEUSEN GAS COCINAS	data: _____ 15/10/2012	<b>CODICE</b>  <b>255.118.02</b>
		nome: _____ P.L.	
		ultima mod.: _____ /	
		FOGLIO: 1/1	

LA DITTA SI RISERVA, A TERMINI DI LEGGE, LA PROPRIETA' DI QUESTO DISEGNO CON DIVIETO DI RIPRODURLO O RENDERLO PUBBLICO A TERZI SENZA LA SUA AUTORIZZAZIONE



CAMINO ANTIVENTO  
PER APPARECCHI DI TIPO "B11"

DRAUGHT DIVERTER  
FOR APPLIANCES TYPE "B11"



A= Attacco gas / Arrivee gaz / Gasanschluss / Gas inlet  
EN 10226-1 R 1/2  
EN ISO228-1 G 1/2 (DK)

Mod. 90-40 FRG22

Tipo di apparecchi "A1"

Appareilles du type "A1" - Aparatos de tipo "A1" - Geräte-Typ "A1" - Type of appliances "A1"

Mod. 90-80 FRG22

Tipo di apparecchi "A1/B11"

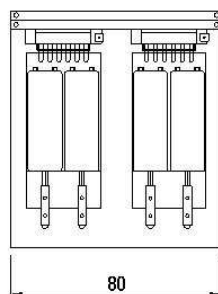
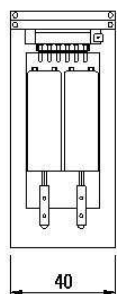
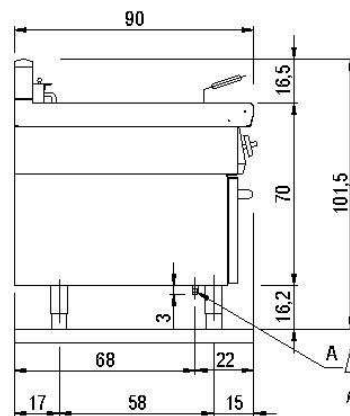
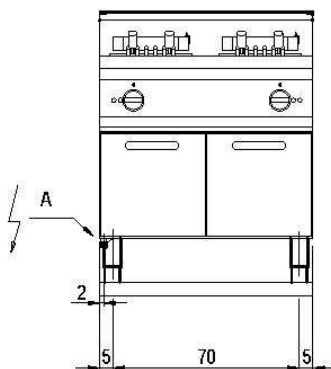
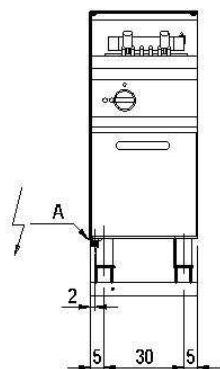
Appareilles du type "A1/B11" - Aparatos de tipo "A1/B11" - Geräte-Typ "A1/B11" - Type of appliances "A1/B11"

SCHEMA DI INSTALLAZIONE SCHEMA DE INSTALLATION INSTALLATION DIAGRAM INSTALLATIONSPLAN ESQUEMA DE INSTALACION	<b>MODELLO</b> FRIGGITRICI GAS FRITEUSES GAZ GAS FRYERS GAS FRYTEUSEN GAS COCINAS	data: _____ 15/10/2012	<b>CODICE</b>  <b>255.123.02</b>
		nome: _____ P.L.	
		ultima mod.: _____ /	
		FOGLIO: 1/1	

LA DITTA SI RISERVA, A TERMINI DI LEGGE, LA PROPRIETA' DI QUESTO DISEGNO CON DIVIETO DI RIPRODURLO O RENDERLO PUBBLICO A TERZI SENZA LA SUA AUTORIZZAZIONE

Mod. 90/40 FRE 15  
kW 10,2

Mod. 90/80 FRE 15  
kW 20,4

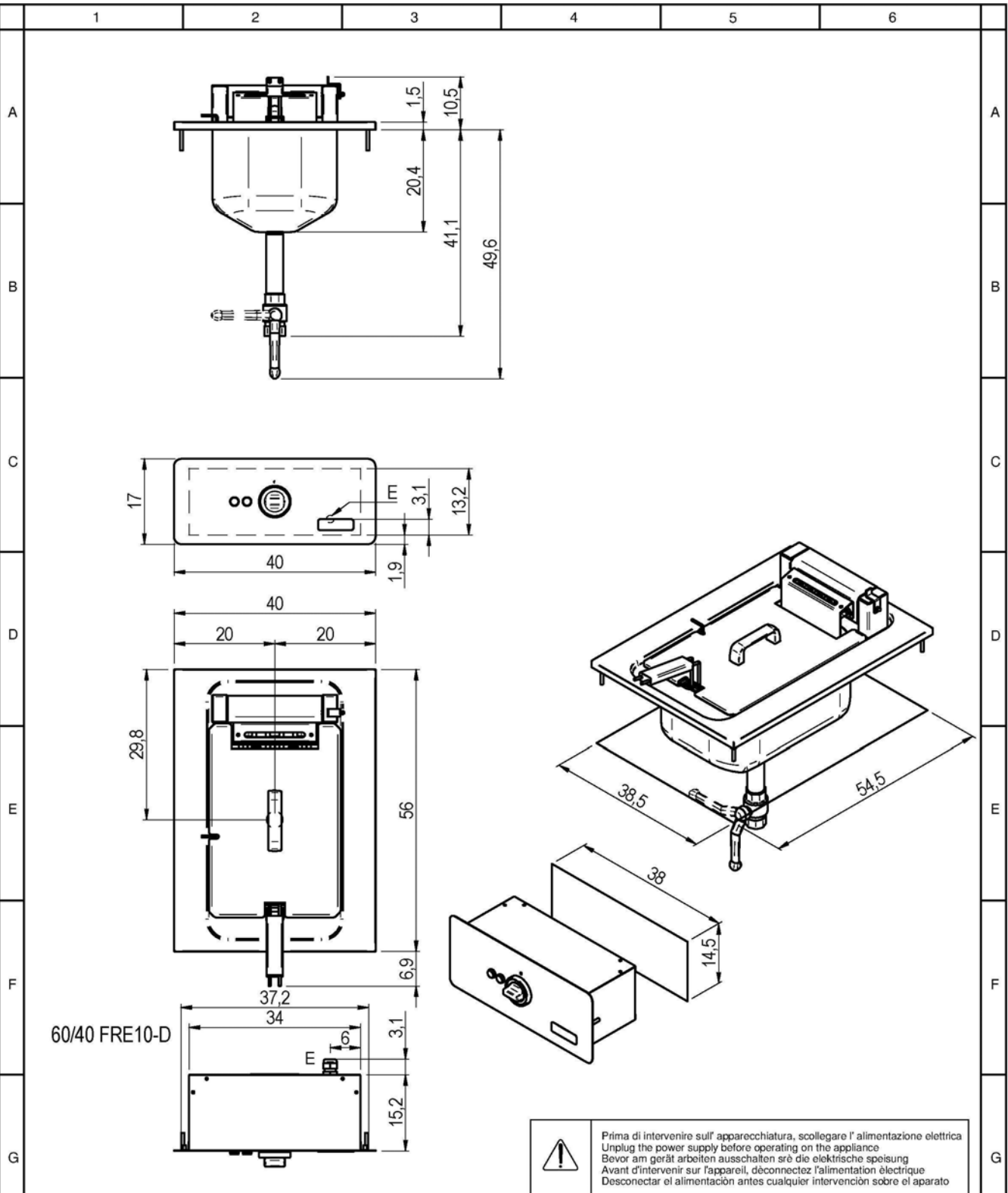


A= ENTRATA ALIMENTAZIONE ELETTRICA  
 ARRIVÉE ALIMENTATION ELECTRIQUE  
 ELEKTROANSCHLUSS  
 ELECTRIC ENERGY CONNECTION

} VAC 400+3N

SCHEMA DI INSTALLAZIONE SCHEMA DE INSTALLATION INSTALLATION DIAGRAM INSTALLATIONSPLAN ESQUEMA DE INSTALACION	<b>MODELLO</b> FRIGGITRICE ELET. FRITEUSEN ELECT. ELECTRIC FRYERS. ELEKTRISCHE FRITEUSEN FREDORAS ELECTRICA	data: _____ 05/08/2007	<b>CODICE</b>  <b>255.129.01</b>
		nome: _____ D. Duso	
		ultima mod.: _____ /	
		<b>FOGLIO: 1/1</b>	

LA DITTA SI RISERVA, A TERMINI DI LEGGE, LA PROPRIETA' DI QUESTO DISEGNO CON DIVIETO DI RIPRODURLO O RENDERLO PUBBLICO A TERZI SENZA LA SUA AUTORIZZAZIONE



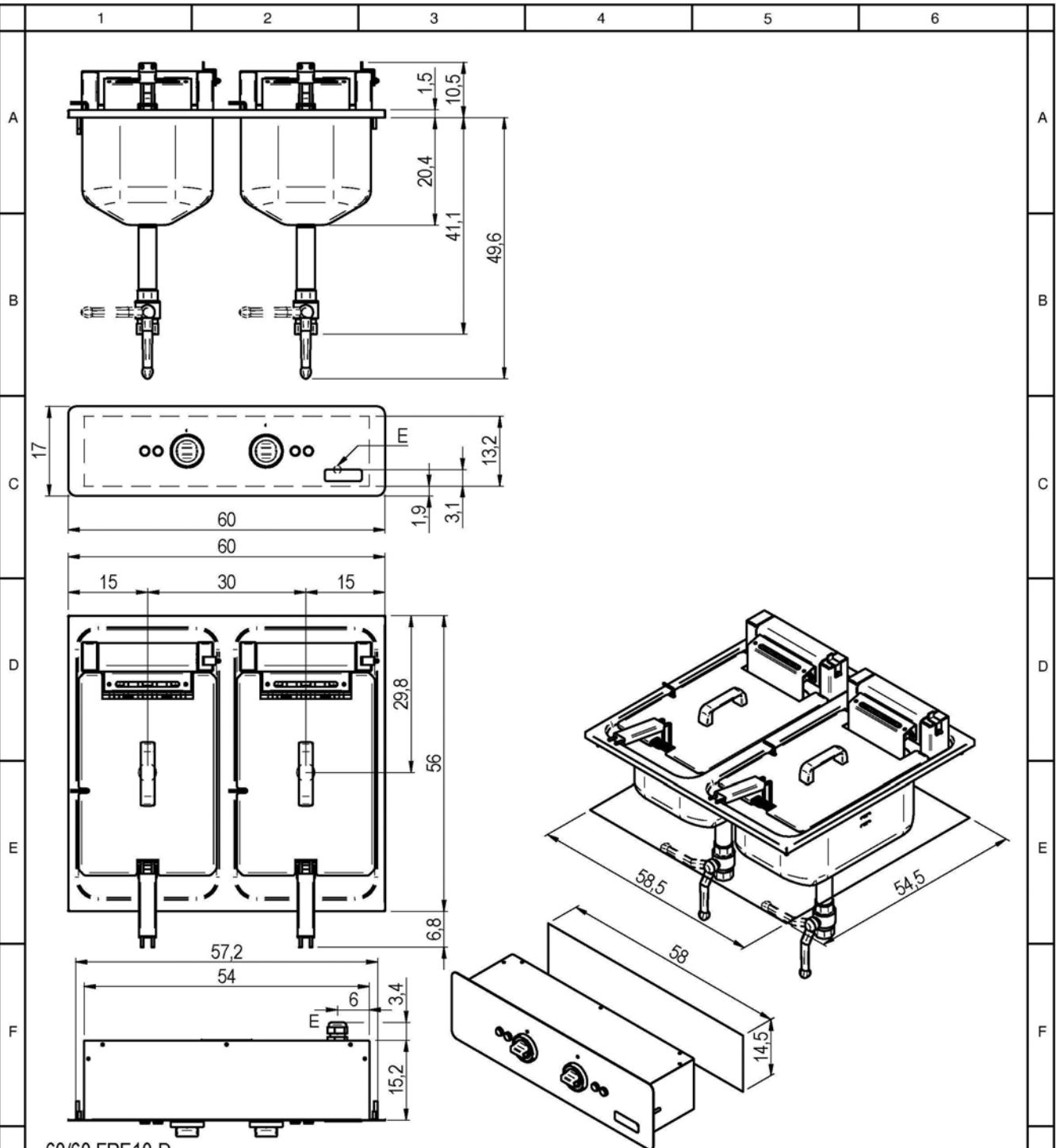
Prima di intervenire sull'apparecchiatura, scollegare l'alimentazione elettrica  
 Unplug the power supply before operating on the appliance  
 Bevor am gerät arbeiten ausschalten srè die elektrishe speisung  
 Avant d'intervenir sur l'appareil, déconnectez l'alimentation électrique  
 Desconectar el alimentación antes cualquier intervención sobre el aparato

MISURE IN cm - DIMENSIONS IN cm - ABMESSUNGEN IN cm - MESURES EN cm - MEDIDAS EN cm - MATEN IN cm

G - Attacco arrivo gas - Gasanschluss - Gas connection Arrivée gaz - Union de gas - Gasaansluiting EN 10226-1 R 1/2; EN ISO 228-1 G 1/2 (DK)  
 E - Pressacavo entrata linea elettrica / Stopfbuchse / Electric cable stress relief / Presse étoupe de câble él Pisacable / Elektrische kabelwartel  
 D - Attacco scarico acqua - Wasserablauf - Water outlet - Vidange de l'eau - Desaguadero - Wateraftapaansluiting EN ISO 228-1 G 1  
 H2O - Attacco arrivo acqua - Wasseranschluss - ater inlet - Arrivée eau - Union de agua - Wateraansluiting EN ISO 228-1 G 3/4

H	SCHEMA DI INSTALLAZIONE INSTALLATION DIAGRAM INSTALLATIONSPLAN SCHEMA DE INSTALLATION ESQUEMA DE INSTALACIÓN	MODELLO FRIGGITRICI DROP IN FRYERS DROP IN FRITEUSE DROP IN FRITEUSES DROP IN FREIDORAS DROP IN	DATA	18/12/2014	CODICE
			DISEGNATORE	Possamai F.	
			CONTROLLATO	Possamai F.	2551098.00
			FOGLIO: 1/1		

LA DITTA SI RISERVA, A TERMINI DI LEGGE, LA PROPRIETA' DI QUESTO DISEGNO CON DIVIETO DI RIPRODURLO O RENDERLO PUBBLICO A TERZI SENZA LA SUA AUTORIZZAZIONE



60/60 FRE10-D

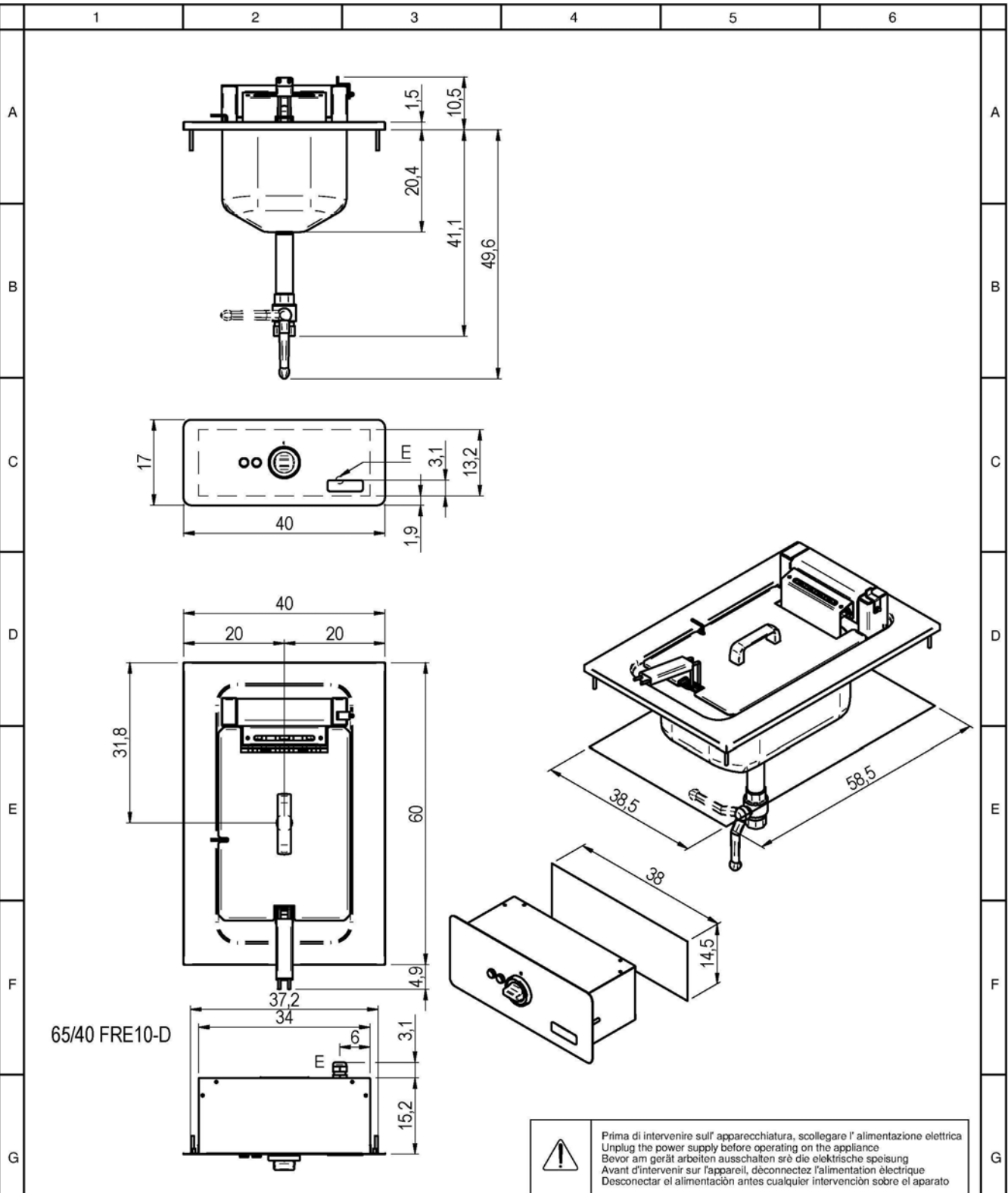
Prima di intervenire sull'apparecchiatura, scollegare l'alimentazione elettrica  
 Unplug the power supply before operating on the appliance  
 Bevor am gerät arbeiten ausschalten srè die elektrishe speisung  
 Avant d'intervenir sur l'appareil, déconnectez l'alimentation électrique  
 Desconectar el alimentación antes cualquier intervención sobre el aparato

MISURE IN cm - DIMENSIONS IN cm - ABMESSUNGEN IN cm - MESURES EN cm - MEDIDAS EN cm - MATEN IN cm

G - Attacco arrivo gas - Gasanschluss - Gas connection Arrivée gaz - Union de gas - Gasaansluiting EN 10226-1 R 1/2; EN ISO 228-1 G 1/2 (DK)  
 E - Pressacavo entrata linea elettrica / Stopfbuchse / Electric cable stress relief / Presse étoupe de câble él Pisacable / Elektrische kabelwartel  
 D - Attacco scarico acqua - Wasserablauf - Water outlet - Vidange de l'eau - Desaguadero - Wateraftapaansluiting EN ISO 228-1 G 1  
 H2O - Attacco arrivo acqua - Wasseranschluss - ater inlet - Arrivée eau - Union de agua - Wateraansluiting EN ISO 228-1 G 3/4

H	SCHEMA DI INSTALLAZIONE INSTALLATION DIAGRAM INSTALLATIONSPLAN SCHEMA DE INSTALLATION ESQUEMA DE INSTALACIÓN	MODELLO FRIGGITRICI DROP IN FRYERS DROP IN FRITEUSE DROP IN FRITEUSES DROP IN FREIDORAS DROP IN	DATA	18/12/2014	CODICE
			DISEGNATORE	Possamal F.	
			CONTROLLATO	Possamal F.	2551099.00
			FOGLIO: 1/1		

LA DITTA SI SERVA, A TERMINI DI LEGGE, LA PROPRIETA' DI QUESTO DISEGNO CON DIVIETO DI RIPRODURLO O RENDERLO PUBBLICO A TERZI SENZA LA SUA AUTORIZZAZIONE



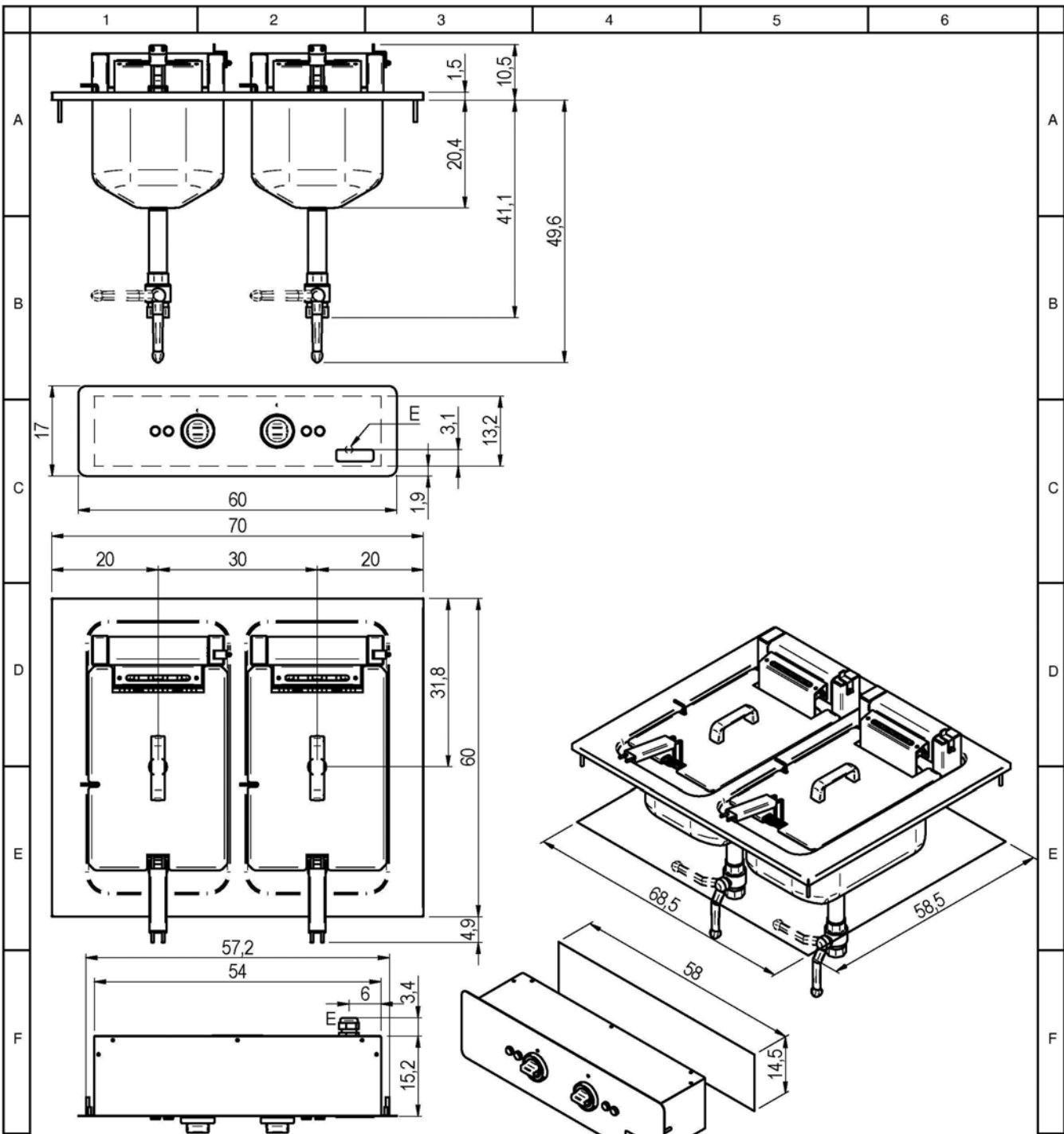
MISURE IN cm - DIMENSIONS IN cm - ABMESSUNGEN IN cm - MESURES EN cm - MEDIDAS EN cm - MATEN IN cm

G - Attacco arrivo gas - Gasanschluss - Gas connection Arrivée gaz - Union de gas - Gasaansluiting EN 10226-1 R 1/2; EN ISO 228-1 G 1/2 (DK)  
 E - Pressacavo entrata linea elettrica / Stopfbuchse / Electric cable stress relief / Presse étoupe de câble él Pisacable / Elektrische kabelwartel  
 D - Attacco scarico acqua - Wasserablauf - Water outlet - Vidange de l'eau - Desaguadero - Wateraftapaansluiting EN ISO 228-1 G 1  
 H2O - Attacco arrivo acqua - Wasseranschluss - ater inlet - Arrivée eau - Union de agua - Wateraansluiting EN ISO 228-1 G 3/4

H	SCHEMA DI INSTALLAZIONE INSTALLATION DIAGRAM INSTALLATIONSPLAN SCHEMA DE INSTALLATION ESQUEMA DE INSTALACIÓN	MODELLO FRIGGITRICI DROP IN FRYERS DROP IN FRITEUSE DROP IN FRITEUSES DROP IN FREIDORAS DROP IN	DATA	18/12/2014	CODICE
			DISEGNATORE	Possamai F.	
			CONTROLLATO	Possamai F.	
			FOGLIO: 1/1		

LA DITTA SI SERVA, A TERMINI DI LEGGE, LA PROPRIETA' DI QUESTO DISEGNO CON DIVIETO DI RIPRODURLO O RENDERLO PUBBLICO A TERZI SENZA LA SUA AUTORIZZAZIONE





65/70 FRE10-D

Prima di intervenire sull'apparecchiatura, scollegare l'alimentazione elettrica  
 Unplug the power supply before operating on the appliance  
 Bevor am gerät arbeiten ausschalten srè die elektrishe speisung  
 Avant d'intervenir sur l'appareil, déconnectez l'alimentation électrique  
 Desconectar el alimentación antes cualquier intervención sobre el aparato

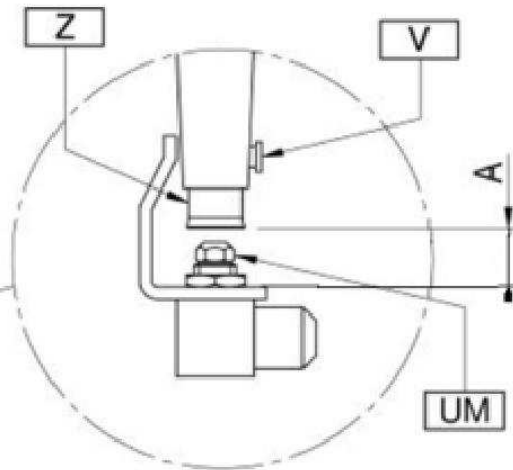
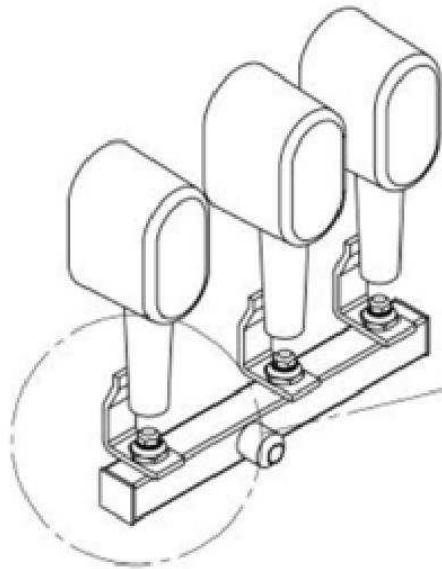
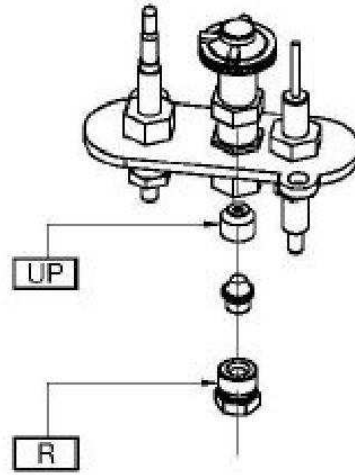
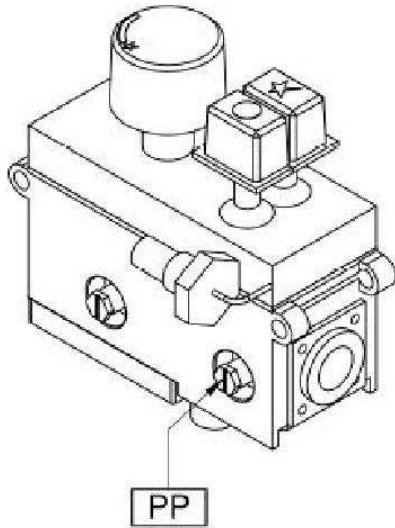
MISURE IN cm - DIMENSIONS IN cm - ABMESSUNGEN IN cm - MESURES EN cm - MEDIDAS EN cm - MATEN IN cm

G - Attacco arrivo gas - Gasanschluss - Gas connection Arrivée gaz - Union de gas - Gasaansluiting EN 10226-1 R 1/2; EN ISO 228-1 G 1/2 (DK)  
 E - Pressacavo entrata linea elettrica / Stopfbuchse / Electric cable stress relief / Presse étoupe de câble él Pisacable / Elektrische kabelwartel  
 D - Attacco scarico acqua - Wasserablauf - Water outlet - Vidange de l'eau - Desaguadero - Wateraftapaansluiting EN ISO 228-1 G 1  
 H2O - Attacco arrivo acqua - Wasseranschluss - ater inlet - Arrivée eau - Union de agua - Wateraansluiting EN ISO 228-1 G 3/4

H	SCHEMA DI INSTALLAZIONE INSTALLATION DIAGRAM INSTALLATIONSPLAN SCHEMA DE INSTALLATION ESQUEMA DE INSTALACIÓN	MODELLO FRIGGITRICI DROP IN FRYERS DROP IN FRITEUSE DROP IN FRITEUSES DROP IN FREIDORAS DROP IN	DATA	18/12/2014	CODICE
			DISEGNATORE	Possamai F.	
			CONTROLLATO	Possamai F.	2551101.00
			FOGLIO: 1/1		

LA DITTA SI SERVA, A TERMINI DI LEGGE, LA PROPRIETA' DI QUESTO DISEGNO CON DIVIETO DI RIPRODURLO O RENDERLO PUBBLICO A TERZI SENZA LA SUA AUTORIZZAZIONE

VII. FIGURE – ABB. – FIG. FIGURE-FIG.-IMAGE-ABB.-CIFRAS-AFBEELDINGEN



**VIII. TAB1 - DATI TECNICI - TECHNICAL DATA - TECHNISCHE DATEN - CARACTERISTIQUES TECHNIQUES - DATOS TECNICOS - TECHNISCHE GEGEVENS Ugelli e regolazioni - Nozzles and settings - Buses et les paramètres - Dusen und Einstellungen - Boquillas y los ajustes - Verstuivers en regelingen**

TAB1						
Gas Gaz	Pa (mbar)	UM UP A Um	_60/30 FRG	_65/40 FRG	700/900 FRG 13L	_90/40 FRG 22
			_60/60 FRG	_65/70 FRG		_90/80 FRG 22
G20 G20/G25	20 20/25	UM	140L	140L	141	145
		UP	51	51	51	51
		A (mm)	-	-	-	-
		Um	-	-	-	-
G25	20	UM	155L	155L	155	160
		UP	51	51	51	51
		A (mm)	-	-	-	-
		Um	-	-	-	-
G25	25	UM	145L	145L	145	150
		UP	51	51	51	51
		A (mm)	-	-	-	-
		Um	-	-	-	-
G20	25	UM	-	-	-	-
		UP	-	-	-	-
		A (mm)	-	-	-	-
		Um	-	-	-	-
G25.1	25	UM	-	-	-	-
		UP	-	-	-	-
		A (mm)	-	-	-	-
		Um	-	-	-	-
G30/G31	28-30/37 28-30	UM	95	95	95	100
		UP	30	30	30	30
		A (mm)	-	-	-	-
		Um	-	-	-	-
G30/G31	37	UM	-	-	-	-
		UP	-	-	-	-
		A (mm)	-	-	-	-
		Um	-	-	-	-
G30/G31	50	UM	82	82	82	85
		UP	25	25	30	30
		A (mm)	-	-	-	-
		Um	-	-	-	-
G110	8	UM	-	-	-	-
		UP	-	-	-	-
		A (mm)	-	-	-	-
		Um	-	-	-	-
G120	8	UM	-	-	-	-
		UP	-	-	-	-
		A (mm)	-	-	-	-
		Um	-	-	-	-

**Pa** : Pressione di allacciamento - Anschlussdruck - Supply pressure - Pression de raccordement - Pressión de conexión - Aansluitdruck  
**UM** : Ugello MAX - Duse MAX - MAX nozzle - Buse MAX - Boquilla MAX. - Sproeier MAX  
**Um** : Ugello MIN - Duse MIN - MIN nozzle - Buse MIN - Boquilla MIN - Sproeier MIN  
**UP** : Pilota - Zündbrenner - Pilot - Veilleuse gaz - Piloto - Waakvlam  
**A** : Apertura Aereatore - Öffnen Luftring - Aerator Opening - Ouverture Aérateur - Abertura del aereador - Opening beluchter  
**REG** : Regolato - Eingestellt - Regulated - Règle - Regulado - Geregeld

**IX. TAB2 - DATI TECNICI - TECHNICAL DATA - TECHNISCHE DATEN - CARACTERISTIQUES TECHNIQUES - DATOS TECNICOS - TECHNISCHE GEVEGENS** Categoria e pressioni - Categories and pressures - Catégories et pressions - Kategorien e Druck - Las categorías y las presiones - Categorieën en druk

Paese Land Country Pays Pais	Categoria Kategorie Category Catégorie Categoria Categorie	Gas-Gaz	Pressione di allacciamento Anschlussdruck Supply pressure Pression de raccordment Pression de connexion Aansluitdruk (mbar)		
			Nom. Neen. Norm. Normal	Min.	Max
LU-PL	I2E	G20	20	17	25
NO	I2H	G20	20	17	25
NL	I2L	G25	25	20	30
LU	I3+	G30/G31	28-30/37	20/25	35/45
NO-NL-CY-MT	I3B/P	G30/G31	28-30	25	35
PL	I3B/P	G30/G31	37	25	45
BE-FR	II2E+3+	G20/G31	20/25	17	25/30
		G30/G31	28-30/37	20/25	35/45
DE	II2ELL3B/P	G20	20	17	25
		G25	20	18	25
		G30/G31	50	42.5	57.5
ES-GB-GR-IE-IT-PT-SK	II2H3+	G20	20	17	25
		G30/G31	28-30/37	20/25	35/45
FI-BG-EE-LV-LT-CZ-SI-TR-HR-RO	II2H3B/P	G20	20	17	25
		G30/G31	28-30	25	35
AT-CH	II2H3B/P	G20	20	17	25
		G30/G31	50	42.5	57.5
HU	II2HS3B/P	G20	25	18	33
		G25.1	25	18	33
		G30/G31	28-30	25	35
HU	II2HS3B/P	G20	25	18	33
		G25.1	25	18	33
		G30/G31	50	42.5	57.5
SE	III1ab2H3B/P	G20	20	17	25
		G30/G31	28-30	25	35
		G110	8	6	15
		G120	8	6	15
DK	III1a2H3B/P	G20	20	17	25
		G30/G31	28-30	25	35
		G110	8	6	15
IT-CH	II1a2H	G20	20	17	25
		G110	8	6	15

**X. TAB3 - DATI TECNICI - TECHNICAL DATA - TECHNISCHE DATEN - CARACTERISTIQUES TECHNIQUES - DATOS TECNICOS - TECHNISCHE GEVEGENS** Dati tecnici apparecchiature gas - Technical data of gas appliances - Caractéristiques techniques des appareils à gaz - Technische Daten gasgerate - Datos técnicos de los equipos de gas - Technische gegevens gasapparatuur

TAB3														
Modelli Modelle Models Modelos Modellen	Larghezza Breite Width Largeur Anchura Breedte	ΣQn	Σqn G110 (8)	Σqn G120 (8)	Consumo gas complessivo - Gesamtgasverbrauch Total gas consumption Consommation totale de gaz - Consumo total de gas - Totaal gasverbruik									
					G20 (20)	G25 (25)	G25 (20)	G20 (25)	G25.1 (25)	G110 (8)	G120 (8)	G30 (29)	G30 (37)	G30 (50)
					mm	kW	kW	kW	m3/h	m3/h	m3/h	m3/h	m3/h	m3/h
_60/30 FRG	300	6.8	-	-	0.72	0.84	0.84	0.72	-	-	-	0.54	0.54	0.54
_60/60 FRG	600	13.6	-	-	1.44	1.67	1.67	1.44	-	-	-	1.07	1.07	1.07
_65/40 FRG	400	6.3	-	-	0.67	0.78	0.78	0.67	-	-	-	0.50	0.50	0.50
_65/70 FRG	700	12.6	-	-	1.33	1.55	1.55	1.33	-	-	-	0.99	0.99	0.99
_70/40 FRG 13	400	10.2	-	-	1.08	1.26	1.26	1.08	-	-	-	0.80	0.80	0.80
_70/70 FRG 13	700	20.4	-	-	2.16	2.51	2.51	2.16	-	-	-	1.61	1.61	1.61
_90/40 FRG 13	400	10.2	-	-	1.08	1.26	1.26	1.08	-	-	-	0.80	0.80	0.80
_90/80 FRG 13	800	20.4	-	-	2.16	2.51	2.51	2.16	-	-	-	1.61	1.61	1.61
_90/40 FRG 22	400	13.6	-	-	1.44	1.67	1.67	1.44	-	-	-	1.07	1.07	1.07
_90/80 FRG 22	800	27.2	-	-	2.88	3.35	3.35	2.88	-	-	-	2.15	2.15	2.15

**XI. TAB4 - DATI TECNICI - TECHNICAL DATA - TECHNISCHE DATEN - CARACTERISTIQUES TECHNIQUES - DATOS TECNICOS- TECHNISCHE GEGEVENS** Dati tecnici apparecchiature elettriche - Dati tecnici aTechnical data of electric appliances - Caractéristiques techniques des appareils électriques - Technische Daten Elektrogeräte - Datos técnicos de los equipos eléctricos - Technische gegevens elektrische apparatuur

TAB4						
Modelli Modelle Models Modeles Modelos Modellen	Larghezza Breite Width Largeur Anchura Breedte	Tensione di alimentazione Netzspannung Power supply voltage Tension d'alimentation Tension de alimentacion Voedingsspanning	Fasi Phasen Phases Fases Fasen	Frequenza Frequenz Frequency Fréquence Frecuencia Frequentie	Potenza totale massima Max. gesamtleistung Max. total power Puissance totale maximum Potencia maxima total Max totaal vermogen	Sezione cavo alimentazione Querschnitt netzkabel Power supply cable section Section du cable de alimentation Seccion del cable de alimentacion Doorsnede elektrisch snoer
	mm	V	Nr. No. Nbre N. A ant.	Hz	kW	-
_60/30 FRE...	300	380-415	3N	50-60	7.5	5G1.5
		220-240	1N	50-60	7.5	3G6
_60/60 FRE...	600	380-415	3N	50-60	15	5G2.5
		220-240	1N	50-60	15	3G6(x2)
_60/40 FRE10-D	400	380-415	3N	50-60	7.5	5G1.5
_60/60 FRE10-D	600	380-415	3N	50-60	15	5G2.5
_65/41 FRE...	400	380-415	3N	50-60	7.5	5G1.5
_65/41 FRE/P...	400	380-415	3N	50-60	9	5G1.5
_65/71 FRE...	700	380-415	3N	50-60	15	5G2.5
_65/71 FRE/P...	700	380-415	3N	50-60	18	5G4
_65/40 FRE10-D	400	380-415	3N	50-60	7.5	5G1.5
		220-240	3	50-60	7.5	4G2.5
_65/70 FRE10-D	700	380-415	3N	50-60	15	5G2.5
_70/40 FRE10...	400	380-415	3N	50-60	7.5	5G1.5
_70/40 FRE/P 10...	400	380-415	3N	50-60	9	5G1.5
_70/70 FRE10...	700	380-415	3N	50-60	15	5G2.5
_70/70 FRE/P 10...	700	380-415	3N	50-60	18	5G4
_90/40 FRE15	400	380-415	3N	50-60	10.2	5G1.5
_90/80 FRE15	800	380-415	3N	50-60	20.4	5G4