



UK	GRILL / GAS LAVA STONE GRILL Installation-Use-Maintenance
FR	GRILLOIR / GRILL À PIERRE DE LAVE GAZ Installation-Emploi-Entretien
DE	GRILLGERÄTE / GAS-LAVASTEINGRILL Installation-Gebrauch-Wartung
NL	GRILL / GASGRILL LAVASTEN Installatie-Gebruik-Onderhoud



MOD.

_60/30 GRL _60/60 GRL	_65/40 GRG _65/70 GRG _65/40 GRL _65/70 GRL	_70/40 GRG... _70/70 GRG... _70/40 GRL... _70/70 GRL... _70/40 GRACQE _70/70 GRACQE	_90/40 GRL _90/80 GRL _90/40 GRACQE _90/80 GRACQE
--------------------------	--	--	--

Doc.n°	252.445.00
Edition	00

UK - INSTALLATION – USE - MAINTENANCE

I. GENERAL PRESCRIPTIONS



READ THIS MANUAL CAREFULLY. IT PROVIDES IMPORTANT INFORMATION FOR SAFE INSTALLATION, USE AND MAINTENANCE OF THE APPLIANCE. FAILURE TO COMPLY WITH WHAT IS PRESENTED BELOW MAY COMPROMISE THE SAFETY OF THE EQUIPMENT.



THE MANUFACTURER WILL NOT BE LIABLE FOR ANY DAMAGE OR INJURY RESULTING FROM FAILURE TO OBSERVING THE FOLLOWING RULES.



TRANSLATION OF THE ORIGINAL INSTRUCTIONS.



APPLIANCES NEED PRECAUTIONS FOR INSTALLATION, PLACING AND/OR FIXATION AND CONNECTION TO THE MAINS. SEE SECTION "INSTALLATION INSTRUCTIONS".



THE APPLIANCES NEED PRECAUTIONS FOR CLEANING. SEE THE SECTION "INSTRUCTION FOR CLEANING".



THE SYMBOL "HIGH VOLTAGE" IS PLACED ON A PANEL THAT GIVES ACCESS TO A PART WITH HIGH VOLTAGE.

Keep this manual in a safe place, known to all users, so that it can be consulted throughout the working life of the appliance.

This equipment is designed for cooking food. It is intended for industrial use. Any other use is to be considered improper

This appliance is not intended for use by people (including children) with limited physical, sensory or mental abilities or without experience and knowledge of it.

Unless they are supervised or instructed in its use by a person responsible for their safety.

Do not leave the appliance unattended in presence of children and ensure that the latter do not have access to the appliance.

The appliance must be used by trained personnel. Do not leave the appliance unattended when operating.



DO NOT STORE "FLAMMABLE MATERIALS IN CLOSE PROXIMITY TO THE APPLIANCE. FIRE HAZARD."

The appliance must be installed in a well-ventilated room.

Inadequate ventilation causes asphyxia. Do not obstruct the ventilation system of the place where the appliance is installed. Do not obstruct the vents or ducts of this or other appliances.

In the event of an appliance fault or malfunction, shut the gas shut-off valve and/or switch the appliance off at the main switch installed upline.

Installation and conversion to a different type of gas must be carried out by qualified technicians authorized by the manufacturer, in compliance with current safety standards and the instructions in this manual.

Appliance maintenance and conversion to a different type of gas must be carried out by qualified technicians authorized by the manufacturer, in compliance with current safety standards and the instructions in this manual.

Clean the appliance following the instructions given in Chapter "INSTRUCTIONS FOR CLEANING".

1. DISPOSAL OF PACKING AND OF THE APPLIANCE

PACKING

The packing is made using environmentally friendly materials. The plastic recyclable components are:

- the transparent cover, the bags containing the instructions manual and nozzles (made of

Polyethylene - PE).

- the straps (in Polypropylene - PP).

APPLIANCE

- The appliance is manufactured 90% from recyclable metals (stainless steel, aluminium sheet, copper.. ..).
- The appliance must be scrapped in compliance with current regulations governing such disposal.
- Make the appliance unusable before scrapping.
- It must be disposed of properly.



THE SYMBOL SHOWING A CROSSED-OUT WASTE CONTAINER ON THE UNIT OR PACKAGE INDICATES THAT, AT THE END OF ITS LIFE CYCLE, THE PRODUCT MUST BE COLLECTED SEPARATE FROM OTHER WASTE.

THE DIFFERENTIATED COLLECTION OF THIS EQUIPMENT IS ORGANISED AND MANAGED BY THE PRODUCER.

THE USER WHO INTENDS TO GET RID OF THIS EQUIPMENT SHALL CONTACT THE PRODUCER AND FOLLOW THE SYSTEM THAT THE LATTER HAS USED IN ORDER TO COLLECT THE EQUIPMENT SEPARATELY AT THE END OF ITS LIFE.

PROPER SEPARATE COLLECTION HELPS PREVENT POSSIBLE NEGATIVE IMPACTS ON THE ENVIRONMENT AND HEALTH, AND FAVOURS THE REUSE AND/OR RECYCLING OF THE UNIT'S MATERIALS.

ABUSIVE DISPOSAL OF THE PRODUCT BY THE HOLDER WILL RESULT IN THE APPLICATION OF PENALTIES AS PER CURRENT STANDARDS.

II. INSTRUCTIONS FOR INSTALLATION

2. REMINDERS FOR THE INSTALLER



READ THIS MANUAL CAREFULLY. IT PROVIDES IMPORTANT INFORMATION FOR SAFE INSTALLATION, USE AND MAINTENANCE OF THE APPLIANCE. FAILURE TO COMPLY WITH WHAT IS PRESENTED BELOW MAY COMPROMISE THE SAFETY OF THE EQUIPMENT.



THE MANUFACTURER WILL NOT BE LIABLE FOR ANY DAMAGE OR INJURY RESULTING FROM FAILURE TO OBSERVING THE FOLLOWING RULES.

Identify the specific appliance model. The model number is detailed on the packing and on the appliance dataplate.

The appliance must be installed in a well-ventilated room.

Installation and conversion to a different type of gas must be carried out by qualified technicians authorized by the manufacturer, in compliance with current safety standards and the instructions in this manual.

Appliance maintenance and conversion to a different type of gas must be carried out by qualified technicians authorized by the manufacturer, in compliance with current safety standards and the instructions in this manual.

Do not obstruct any air vents or drains present on the appliance.

Do not tamper with appliance components.

3. REFERENCE STANDARDS AND LAWS

- Install the appliance in accordance with the safety standards in force in the country.

4. UNPACKING

- Check the state of the packing and in the event of damage, ask the delivery person to inspect the goods.
- Remove the packing.
- Remove the protective film from the outer panels. Use a suitable solvent to remove any residual adhesive from the panels.

5. POSITIONING

The overall dimensions of the appliance and the position of connections are given on the installation diagram at the end of this manual.

The appliance can be installed singly or in combination with other appliances in the same product range.

The appliance is not suitable for integrated installation.

Position the appliance at least 10 cm from adjacent walls.

If the appliance is to be placed near walls, dividers, kitchen furniture, decorative elements etc. this must be made of non-combustible materials. Otherwise, they must be covered with suitable non-combustible heat insulating materials. Level the appliance by means of the height-adjustable feet.

APPLIANCE ASSEMBLY WITH BASE AND BRIDGE

Follow the instructions provided with the type of support utilized.

FUMES EXHAUST SYSTEM

Create a fumes exhaust system based on the "Type" of appliance. The "Type" is stated on the appliance dataplate.

" A1 " TYPE APPLIANCE

Position the "A1" type appliance below an extractor hood to ensure smoke and fumes generated by cooking are removed.

" B21 " TYPE APPLIANCE

Position the "B21" type appliance below an extractor hood.

" B11 " TYPE APPLIANCE

Fit the "B11" type appliance with a suitable flue, available from the appliance manufacturer. Follow the assembly instructions provided with the flue.

Connect the flue to a 150/155 mm diameter hose, heat resistant to 300°C.

Vent to the outside or into an efficient flue. The hose length must not exceed 3 metres.

6. CONNECTIONS

The position and dimensions of connections are given in the installation diagram at the end of this manual.

CONNECTION TO THE GAS SUPPLY

- Check that the appliance is designed to operate with the type of gas supply present on site. Check the information given on the decals on the packing

and appliance.

- Convert the appliance to the local gas type, if necessary. Follow the instructions at the next paragraph "Conversion to a different type of gas".
- On top appliances a rear connection is also available. Remove the plug present and screw it tightly onto the front connector.
- A rapid-action gas shut-off valve must be fitted upstream of the appliance in an easily accessible position.
- Do not use connection pipes having a diameter smaller than that of the appliance's gas connector.
- Once the appliance has been installed, check for gas leaks at the connection points.

ELECTRICAL CONNECTIONS

Check if the appliance is designed to operate at the voltage and frequency of the power supply present on site. Check the details given on the appliance dataplate and plaque near the terminal board.

Install upstream of the equipment in an easily accessible place, an all-pole disconnecting device with a contact gap of allowing full disconnection under the conditions of overvoltage category III.

A flexible rubber cable with insulation specifications not lower than type H05 RN-F must be used for connection.

Connect the power supply cable to the terminal board as shown in the wiring diagram supplied with the appliance.

Secure the power supply cable with the cable clamp.



Protect the power supply cable on the outside of the appliance with a rigid plastic or metal pipe.

If the power supply cable is damaged, it must be replaced by the manufacturer or his service centre or by a person with similar qualifications to prevent any risk.



THE SYMBOL " HIGH VOLTAGE " IS PLACED ON A PANEL THAT GIVES ACCESS TO A PART WITH HIGH VOLTAGE.

PROTECTIVE EARTH AND EARTH BONDING CONNECTIONS

- Connect the appliance to an efficient ground circuit. Connect the earth conductor to the terminal with the symbol  next to the main terminal board.
- Connect the metal structure of the appliance to the equipotential node. Connect the conductor to the terminal with the symbol  on the outside part of the bottom.

CONNECTION TO THE WATER SUPPLY

- The appliance must be connected to a potable water supply. The water inlet pressure must be between 150 kPa and 300 kPa. Use a pressure reducer if the inlet pressure is above the maximum permitted level.
- Install a mechanical filter and a shut-off valve upstream of the appliance in an easily accessible point.
- Make sure the water circuit is free of ferrous particles before connecting the filter and the appliance.
- Seal any unused connectors with a plug.
- Once the appliance has been installed, check for gas leaks at the connection points.

CONNECTION TO THE WATER DRAIN

The water drainage system must be made using materials resistant to temperatures of 100 °C. The bottom of the appliance must not be subjected to steam produced by drainage of hot water. Install a siphoned floor drain with grating below the water drain cock of Boiling pans and in front of Bratt pans.



7. CONVERSION TO ANOTHER TYPE OF GAS

Table Tab1 specifies:

which gas can be used for the appliance.
the nozzles and settings for each gas that can be used.

For nozzles, the number indicated in table TAB1 is also stamped on the body of nozzles.

To convert the appliance to the local gas type, follow the instructions given in TAB1 and carry out the steps below:

- Replace the main burner nozzle (UM).
- Adjust the main burner's air regulator to distance A.
- Replace the pilot burner nozzle (UP).
- Adjust the pilot burner air flow (if necessary).
- Replace the gas valve minimum nozzle (Um).
- Affix the adhesive tab indicating the new type of gas used.
- The nozzles and adhesive tabs are supplied with the appliance.

REPLACING THE NOZZLE AND THE MAIN BURNER PRIMARY AIR REGULATION

- Remove the control panel.
- Remove nozzle UM and replace it with the one indicated in table TAB1.
- Retighten nozzle UM.
- Slacken screw V and position the air regulator at distance A as indicated in table TAB1.
- Retighten screw V fully.
- Reassemble all parts. For assembly, proceed in reverse order.

REPLACING THE MINIMUM ADJUSTMENT SCREW

- Remove the control panel.
- Remove nozzle UM and replace it with the one indicated in table TAB1.
- Retighten nozzle UM.
- Reassemble all parts. For assembly, proceed in reverse order.

REPLACING THE PILOT BURNER NOZZLE

- Remove the control panel.
- Undo connector R.
- Remove nozzle UP and replace it with the one indicated in table TAB1.
- Retighten connector R. Reassemble all parts.
- Following, in reverse order, the sequence used for their removal.

8. COMMISSIONING

Following installation, conversion to a different type of gas or any maintenance operations, check appliance operation. In the event of any malfunction, consult the next Paragraph " Troubleshooting " .

GAS APPLIANCES

Switch on the appliance as directed in the instructions and reminders for use given in Chapter " INSTRUCTIONS FOR USE " and check:
the gas supply pressure (see next Paragraph).
the correct ignition of the burners and the effectiveness of the fumes removal system.

CHECKING THE GAS SUPPLY PRESSURE

To measure the gas supply pressure use a manometer with a minimum definition of 0,1 mbar. Remove the control panel.

Remove the screw from on pressure test point PP and connect the manometer to the test point.

Make the measurement with the appliance in operation.



IMPORTANT! IF THE GAS SUPPLY PRESSURE IS NOT WITHIN THE LIMITS (MIN. - MAX) INDICATED IN TABLE TAB2, CEASE OPERATION OF THE APPLIANCE AND CONTACT THE GAS UTILITY COMPANY.

Disconnect the manometer and retighten the retaining screw on the pressure connection.

ELECTRIC EQUIPMENT

Switch on the appliance as directed in the instructions and reminders for use given in Chapter " INSTRUCTIONS FOR USE " and check:

the current values of each phase.

the correct operation of the heating elements.

III. INSTRUCTIONS FOR USE

9. REMINDERS FOR THE USER



READ THIS MANUAL CAREFULLY. IT PROVIDES IMPORTANT INFORMATION FOR SAFE INSTALLATION, USE AND MAINTENANCE OF THE APPLIANCE. THE MANUFACTURER WILL NOT BE LIABLE FOR ANY DAMAGE OR INJURY RESULTING FROM FAILURE TO OBSERVING THE FOLLOWING RULES.



For after-sales service, contact technical assistance centres authorized by the manufacturer and demand the use of original spare parts.

Have the appliance serviced at least twice a year. The manufacturer recommends taking out a service contract.

The appliance is designed for professional use and must be operated by trained personnel.

The appliance is to be used for cooking food as specified in the prescriptions for use. Any other use is considered to be improper.

Do not allow the appliance to operate empty for prolonged periods. Only pre-heat the oven just before use.

Do not leave the appliance unattended while in operation.

In the event of an appliance fault or malfunction, shut the gas shut-off valve and/or switch the appliance off at the main switch installed upline.

Clean the appliance following the instructions given in Chapter " INSTRUCTIONS FOR CLEANING".



DO NOT STORE " AMMABLE MATERIALS IN CLOSE PROXIMITY TO THE APPLIANCE. FIRE HAZARD.

Do not obstruct any air vents or drains present on the appliance.

Do not tamper with appliance components.

Keep this manual in a safe place, known to all users, so that it can be consulted throughout the working life of the appliance.

Installation and appliance maintenance must be carried out by qualified technicians authorized by the manufacturer, in compliance with current safety standards and the instructions in this manual.

Appliance maintenance and conversion to a different type of gas must be carried out by qualified technicians authorized by the manufacturer, in compliance with current safety standards and the instructions in this manual.

10. POSITIONING THE CAST IRON GRILLES

The cooking grille is reversible, sloping for meat and horizontal for fish and vegetables.

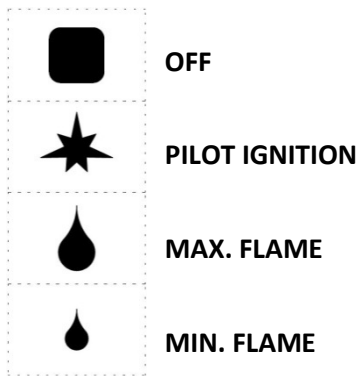
11. USING THE GAS GRILL

The appliance is designed for cooking foods placed on the grilles provided.

The grill must not be used to heat pans or saucepans.

BURNER IGNITION AND EXTINGUISHING

The gas tap control knob has the following positions:



PILOT IGNITION

- Press and turn knob to "pilot on".
- Press the knob down fully and light the pilot using the piezoelectric igniter.
- Hold the knob down for about 20 seconds before releasing it. If the pilot flame goes out, repeat the operation.

MAIN BURNER IGNITION

- To light the main burner, turn the knob from "pilot on" to "max. flame".
Next, depending on cooking requirements, turn the knob to any position between " max. flame " and " min. flame " .

TURNING OFF

- To switch the main burner off, turn the knob to position " pilot on " .
- To switch off the pilot flame, press and turn the knob to position " Off " .

USING THE GREASE COLLECTION TRAY

- Pour 2-3 cm of water into the grease collection tray to facilitate cleaning and obtain optimum cooking results.

GREASE COLLECTION TRAY

Any grease from cooking which drips into the grill and passes through the brazier is collected in the grease collection tray. Periodically empty and clean this tray.

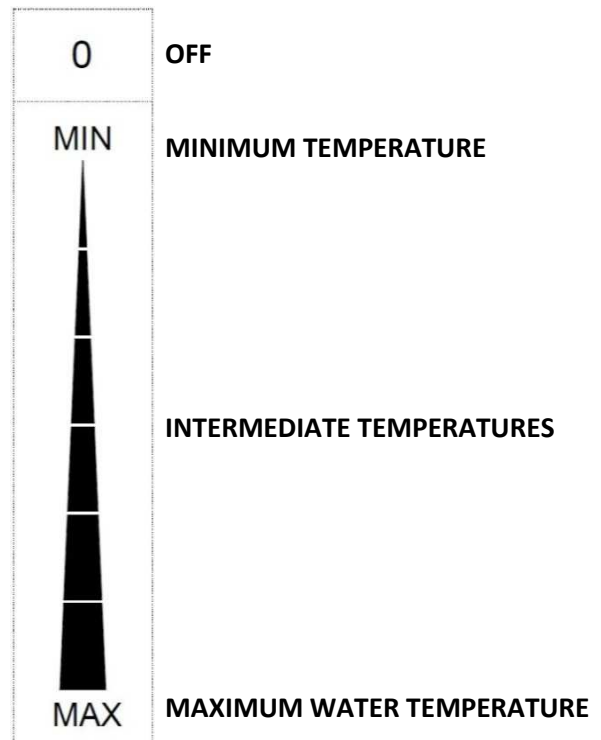
12. USING THE ELECTRIC GRILL

The appliance is designed for cooking foods placed on the grilles provided.

The grill must not be used to heat pans or saucepans.

SWITCHING ON AND OFF

The thermostat control knob has the following positions:



SWITCHING ON

- Turn the thermostat knob to the chosen temperature setting for cooking.
- The yellow indicator light switches on.
- The yellow indicator light switches off when the oven reaches the set temperature.

TURNING OFF

Turn the thermostat knob to position " 0 " .

The yellow indicator light switches off.

USING THE GREASE COLLECTION TRAY

Pour 2-3 cm of water into the grease collection tray to facilitate cleaning and obtain optimum cooking results.

GREASE COLLECTION TRAY

Any grease from cooking which drips into the grill and passes through the brazier is collected in the grease collection tray. Periodically empty and clean this tray.

13. USING THE GAS LAVA STONE GRILL

The appliance is designed for cooking foods placed on the grilles provided.

The grill must not be used to heat pans or saucepans.

LOADING THE LAVA STONE

The appliances come complete with 2 packs of lava stone for each brazier (cooking zone).

Each pack weighs 4 kg.

The lava stones have a min. diameter of 25mm, a max. diameter of 30mm and a max. length of 50mm, with a +/- 5% tolerance.

Distribute the contents of one pack evenly between the braziers. Do not under any circumstances use more lava stone than recommended.

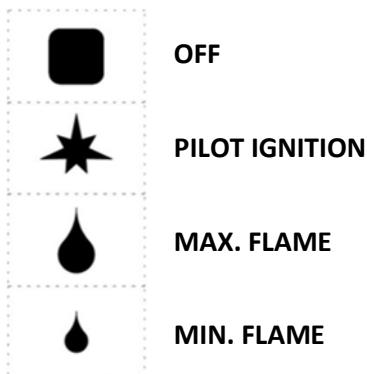
The second pack must only be used to top up the lava stone originally loaded as the latter is gradually consumed.

GREASE COLLECTION TRAY

Any grease from cooking which drips into the grill and passes through the brazier is collected in the grease collection tray. Periodically empty and clean this tray.

BURNER IGNITION AND EXTINCTION

The gas tap control knob has the following positions:



PILOT IGNITION

- Press and turn knob to "pilot on".
- Press the knob down fully and light the pilot using the piezoelectric igniter.
- Hold the knob down for about 20 seconds before releasing it. If the pilot flame goes out, repeat the operation.

MAIN BURNER IGNITION

- To light the main burner, turn the knob from "pilot on" to "max. flame".
- Next, depending on cooking requirements, turn the knob to any position between " max. flame " and " min. flame " .

TURNING OFF

- To switch the main burner off, turn the knob to position " pilot on " .
- To switch off the pilot flame, press and turn the knob to position " Off " .

14. PROLONGED DISUSE

Before any prolonged disuse of the appliance, proceed as follows:

- Clean the appliance thoroughly.
- Rub stainless steel surfaces with a cloth soaked in vaseline oil to create a protective film.
- Close cocks or main switches ahead of the appliances.

Following prolonged disuse, proceed as follows:

- Inspect the appliance thoroughly before using it again.
- Allow electric appliances to operate at the lowest temperature for at least 60 minutes.

IV. INSTRUCTIONS FOR CLEANING

15. REMINDERS FOR CLEANING



READ THIS MANUAL CAREFULLY. IT PROVIDES IMPORTANT INFORMATION FOR SAFE INSTALLATION, USE AND MAINTENANCE OF THE APPLIANCE.



THE MANUFACTURER WILL NOT BE LIABLE FOR ANY DAMAGE OR INJURY RESULTING FROM FAILURE TO OBSERVING THE FOLLOWING RULES. DISCONNECT THE APPLIANCE ELECTRIC SUPPLY, IF PRESENT, BEFORE CARRYING OUT ANY OPERATION.



- Clean the satin finish stainless steel exterior surfaces, the cooking wells and the surface of the hotplates every day.
- At least twice a year, have an authorized technician clean the internal parts of the appliance.
- Do not use corrosive products to clean the floor beneath the appliance.
- Do not use direct or high pressure water jets to clean the appliance.

SATIN FINISH STAINLESS STEEL SURFACES

- Clean the surfaces with a cloth or sponge using water and proprietary non-abrasive detergents. Follow the direction of the satin finish lines. Rinse repeatedly and dry thoroughly.
- Do not use pan scourers or other iron items.
- Do not use chemical products containing chlorine.
- Do not use sharp objects which might scratch and damage the surfaces.

COLLECTION TRAYS

- Clean the surface, removing grease, oil, food residue etc.. .

GAS GRILL

Cleanind the burner and brazier grille



IMPORTANT: BEFORE CARRYING OUT ANY CLEANING OPERATIONS, MAKE SURE THE GRILLES ARE COLD.

- Lift up and remove the cooking grille and the splashguard.
- Remove the tiles.
- Proceed to clean the burner around the flame zone and along the flame protector apertures, removing all traces of dust and burnt-on residue whilst taking care not to enlarge the flame apertures.
- Using a scraper, clean the fins of the combustion chamber that convey cooking juices into the

collection drawer and then wipe with a damp cloth.

- Take care not to damage the pilot ignition unit.
- Refit the tile, taking care to insert the front pins in their seats.

GAS LAVA STONE GRILL



IMPORTANT: BEFORE CARRYING OUT ANY CLEANING OPERATIONS, MAKE SURE THE GRILLES ARE COLD.

- Lift up and remove the cooking grille and the brazier containing the lava stone.
- Proceed to clean the burner around the flame zone and along the flame protector apertures, removing all traces of dust and burnt-on residue whilst taking care not to enlarge the flame apertures.

ELECTRIC GRILL



IMPORTANT: BEFORE CARRYING OUT ANY CLEANING OPERATIONS, MAKE SURE THE HEATING ELEMENTS ARE COLD.

- Disconnect the appliance from the power supply.
- Remove the grille and splashguard.
- Clean the inside of the grill with a scraper.



IMPORTANT: DO NOT CLEAN THE ELEMENTS AND DO NOT USE WATER INSIDE THE GRILL SINCE THE APPLIANCE CONTAINS ELECTRICAL COMPONENTS.

v. INSTRUCTIONS FOR MAINTENANCE

16. REMINDERS FOR THE MAINTENANCE TECHNICIAN



THE MANUFACTURER WILL NOT BE LIABLE FOR ANY DAMAGE OR INJURY RESULTING FROM FAILURE TO OBSERVING THE FOLLOWING RULES.

Identify the specific appliance model. The model number is detailed on the packing and on the

appliance dataplate.

The appliance must be installed in a well-ventilated room.

Do not obstruct any air vents or drains present on the appliance.

Do not tamper with appliance components.

Appliance maintenance and conversion to a different type of gas must be carried out by qualified technicians authorized by the manufacturer, in compliance with current safety standards and the instructions in this manual.

17. CONVERSION TO ANOTHER TYPE OF GAS

See Chapter “Instructions for installation”.

18. COMMISSIONING

See Chapter “Instructions for installation”.

19. TROUBLESHOOTING

GAS GRILL

THE PILOT BURNER DOES NOT LIGHT.

Possible causes:

- Insufficient gas supply pressure.
- Blocked tubing or nozzle.
- Defective gas tap or valve.
- Igniter defective or not properly connected.
- Igniter or igniter wire defective.

PILOT BURNER GOES OUT DURING USE.

Possible causes:

- Insufficient gas supply pressure.
- Defective gas tap or valve.
- Defective thermocouple or insufficient heating.
- Thermocouple incorrectly connected to gas tap or valve.
- Knob of gas tap or valve not pressed sufficiently.

THE MAIN BURNER DOES NOT LIGHT (EVEN

THOUGH PILOT IS LIT).

Possible causes:

- Defective burner (gas outlet holes clogged).

ELECTRIC GRILL

THE APPLIANCE DOES NOT HEAT.

Possible causes:

- Temperature thermostat defective.
- Heating elements defective.

HEATING CANNOT BE ADJUSTED.

Possible causes:

- Temperature thermostat defective.

GAS LAVA STONE GRILL

THE PILOT BURNER DOES NOT LIGHT.

Possible causes:

- Insufficient gas supply pressure.
- Blocked tubing or nozzle.
- Defective gas tap or valve.
- Igniter defective or not properly connected.
- Igniter or igniter wire defective.

PILOT BURNER GOES OUT DURING USE.

Possible causes:

- Insufficient gas supply pressure.
- Defective gas tap or valve.
- Defective thermocouple or insufficient heating.
- Thermocouple incorrectly connected to gas tap or valve.
- Knob of gas tap or valve not pressed sufficiently.

THE MAIN BURNER DOES NOT LIGHT (EVEN THOUGH PILOT IS LIT).

Possible causes:

- Defective burner (gas outlet holes clogged).

20. REPLACING COMPONENTS

REMINDERS FOR REPLACING COMPONENTS



SHUT THE GAS SHUT-OFF VALVE AND/OR SWITCH THE APPLIANCE OFF AT THE MAIN SWITCH INSTALLED UPSTREAM.



DISCONNECT THE APPLIANCE ELECTRIC SUPPLY, IF PRESENT, BEFORE CARRYING OUT ANY OPERATION.



AFTER REPLACING A GAS SYSTEM COMPONENT, CHECK FOR GAS LEAKS AT CONNECTION POINTS.



AFTER REPLACING AN ELECTRICAL SYSTEM COMPONENT, CHECK IT IS CORRECTLY WIRED.

GAS GRILL

REPLACING THE GAS TAP.

- Remove the control knob.
- Remove the bottom front panel.
- Remove and replace the component.
- Reassemble all parts. For assembly, proceed in reverse order.

REPLACING THE BURNER, THE PILOT BURNER AND THE THERMOCOUPLE.

- Remove the grease collection drawer.
- Remove the control panel.
- Remove and replace the component.
- Reassemble all parts. For assembly, proceed in reverse order.

REPLACING THE MAIN BURNER.

- Remove the grease collection drawer.
- Remove the control knob.
- Remove the bottom front panel.
- Remove the control panel.
- Remove the splashguard, the grilles, the tiles, the front tile support and the burner guard.
- Remove and replace the component.
- Reassemble all parts. For assembly, proceed in reverse order.

ELECTRIC GRILL

REPLACING THE KNOB AND INDICATOR LIGHT

- Remove the grease collection drawer.

- Remove the control knob.
- Remove the bottom front panel.
- Remove and replace the component.
- Reassemble all parts. For assembly, proceed in reverse order.

REPLACING THE ELEMENT.

- Remove the grease collection drawer.
- Remove the control panel.
- Remove the splashguard and the grille.
- Remove the box and the cover of the element terminals by unscrewing the self-tapping screws from the top of the appliance.
- Remove the component from above and replace it.
- Reassemble all parts. For assembly, proceed in reverse order.

REPLACING THE WORKING THERMOSTAT.

- Remove the grease collection drawer.
- Remove the control knob.
- Remove the bottom control panel.
- Remove and replace the component.
- Reassemble all parts. For assembly, proceed in reverse order.

GAS LAVA STONE GRILL

REPLACING THE GAS TAP.

- Remove the control panel.
- Remove and replace the component.
- Reassemble all parts. For assembly, proceed in reverse order.

REPLACING THE PILOT BURNER AND THERMOCOUPLE.

- Remove the control panel.
- Remove the grilles, lava stone and support brazier.
- Remove and replace the component.
- Reassemble all parts. For assembly, proceed in reverse order.

REPLACING THE MAIN BURNER.

- Remove the control panel.
- Remove the grilles, lava stone and support brazier.
- Remove and replace the component.

- Reassemble all parts. For assembly, proceed in reverse order.

21. CLEANING THE INTERIOR

Check the condition of the inside of the appliance.

Remove any built-up dirt.

Check and clean the fumes exhaust system.

22. MAIN COMPONENTS

GAS GRILL

- Gas Cock
- Main Burner
- Pilot burner
- Thermocouple
- Igniter
- Piezoelectric ignition

ELECTRIC GRILL

- Working thermostat
- Heating element
- Indicator light

GAS LAVA STONE GRILL

- Main Burner
- Pilot burner
- Thermocouple
- Igniter
- Piezoelectric ignition
- Gas Cock
- Brazier
- Volcanic lava stone

FR - INSTALLATION – EMPLOI - ENTRETIEN

I. AVERTISSEMENTS GÉNÉRAUX



LIRE ATTENTIVEMENT CE MANUEL. IL DONNE DES INFORMATIONS IMPORTANTES POUR L'INSTALLATION, L'UTILISATION ET L'ENTRETIEN DE L'APPAREIL EN TOUTE SÉCURITÉ. LE DÉFAUT DE SE CONFORMER À CE QUI EST PRÉSENTÉ CI DESSOUS PEUT COMPROMETTRE LA SÉCURITÉ DE L'ÉQUIPEMENT.



LE FABRICANT DE L'APPAREIL DÉCLINE TOUTE RESPONSABILITÉ EN CAS DE DOMMAGES DÛS AU NON RESPECT DES CONSIGNES CI DESSOUS.



TRADUCTION DES INSTRUCTIONS D'ORIGINE.



LES ÉQUIPEMENTS ONT BESOIN DE QUELQUES PRÉCAUTIONS POUR L'INSTALLATION, LE POSITIONNEMENT ET/OU LE FIXAGE ET LE BRANCHEMENT ÉLECTRIQUE. VOIR SECTION "INSTRUCTIONS POUR L'INSTALLATION".



LES ÉQUIPEMENTS ONT BESOIN DE PRÉCAUTIONS POUR LE NETTOYAGE. VOIR SECTION "INSTRUCTION POUR LE NETTOYAGE".



LE SYMBOLE "HAUTE TENSION" EST PLACÉ SUR UN PANNEAU QUI DONNE ACCÈS À UNE PARTIE AVEC HAUTE VOLTAGE.

Conserver ce manuel dans un endroit sûr et connu afin de pouvoir le consulter pendant toute la durée de vie utile de l'appareil.

Cet appareil est conçu pour la cuisson d'aliments. Il est destiné à un usage industriel. Toute autre utilisation est réputée impropre.

Cet appareil n'est pas approprié à l'emploi de la part de personnes (y compris les enfants) avec capacités physiques,

sensorielles ou mentales, réduites ou sans expérience ni connaissance.

A moins qu'une personne responsable de leur sécurité ne les surveille ou les instruit au sujet de l'utilisation de l'appareil.

Eviter de laisser le dispositif sans surveillance en présence d'enfants et s'assurer qu'ils ne l'utilisent pas ou qu'ils ne jouent avec.

Le personnel devant utiliser l'appareil doit avoir suivi une formation spéciale. Surveiller l'appareil pendant son fonctionnement.



NE PAS STOCKER DE SUBSTANCES INFLAMMABLES À PROXIMITÉ DE L'APPAREIL. DANGER D'INCENDIE.

Installer l'appareil seulement dans des locaux suffisamment aérés.

Toujours installer l'appareil dans un local aéré. Une mauvaise aération peut être la cause d'asphyxies. Ne pas obstruer le système d'aération du local où cet appareil est installé. Ne pas obstruer les bouches d'aération et d'évacuation de cet appareil ou d'autres appareils.

En cas de panne ou de dysfonctionnement de l'appareil, fermer le robinet d'arrêt du gaz et/ou désactiver l'interrupteur général d'alimentation électrique installés en amont de l'appareil.

L'installation et la conversion à un autre type de gaz doivent être effectués par des installateurs qualifiés et agréés par le fabricant, conformément aux normes de sécurité en vigueur et aux consignes données dans ce manuel.

L'entretien et la conversion à un autre type de gaz de l'appareil doivent être effectués par des installateurs qualifiés et agréés par le fabricant, conformément aux normes de sécurité en vigueur et aux consignes données dans ce manuel.

Effectuer le nettoyage conformément aux instructions données dans le Chapitre "INSTRUCTIONS POUR LE NETTOYAGE".

1. ÉLIMINATION DE L'EMBALLAGE ET DE L'APPAREIL

EMBALLAGE

L'emballage est réalisé dans des matériaux compatibles avec l'environnement. Les éléments en matière plastique recyclables sont:

- la couverture transparente, les sachets du manuel d'instructions et des injecteurs (en polyéthylène - PE).
- les feuillets (en polypropylène - PP).

APPAREIL

- L'appareil est réalisé à plus de 90% dans des matériaux métalliques recyclables (acier inox, tôle aluminée, cuivre, etc.).
- L'appareil doit être mis au rebut conformément à la réglementation en vigueur.
- Le rendre inutilisable avant son élimination.
- Ne pas le jeter dans la nature.



LE SYMBOLE DE LA POUBELLE BARRÉE REPORTÉ SUR L'APPAREIL ET LA BOÎTE INDIQUE QUE LE PRODUIT À LA FIN DE SA PROPRE VIE UTILE DOIT ÊTRE RAMASSÉ SÉPARÉMENT DES AUTRES DÉCHETS.

LA COLLECTE DIFFÉRENTIÉE DE CET APPAREIL AYANT ATTEINT LA FIN DE SA VIE EST ORGANISÉE ET GÉRÉE PAR LE FABRICANT.

LE CLIENT SOUHAITANT SE DÉFAIRE DE CET APPAREIL DEVRA DONC CONTACTER LE FABRICANT ET SUIVRE LA PROCÉDURE QUE CE DERNIER A ADOPTÉE AFIN DE PERMETTRE LA COLLECTE SÉPARÉE DE L'APPAREIL ARRIVÉ EN FIN DE VIE. UNE COLLECTE ET UN TRI DES DÉCHETS CONTRIBUE À ÉVITER LES POSSIBLES EFFETS NÉGATIFS SUR L'ENVIRONNEMENT ET SUR LA SANTÉ ET FAVORISE LA RÉUTILISATION ET/OU LE RECYCLAGE DES MATÉRIAUX DONT EST COMPOSÉ L'APPAREIL. L'ÉLIMINATION ABUSIVE DU PRODUIT DE LA PART DU PROPRIÉTAIRE COMPORTE L'APPLICATION DES SANCTIONS ADMINISTRATIVES PRÉVUES PAR LES NORMES EN VIGUEUR.

II. INSTRUCTIONS POUR L'INSTALLATION

2. AVERTISSEMENTS POUR L'INSTALLATEUR



LIRE ATTENTIVEMENT CE MANUEL. IL DONNE DES INFORMATIONS IMPORTANTES POUR L'INSTALLATION, L'UTILISATION ET L'ENTRETIEN DE L'APPAREIL EN TOUTE SÉCURITÉ. LE DÉFAUT DE SE CONFORMER À CE QUI EST PRÉSENTÉ CI DESSOUS PEUT COMPROMETTRE LA SÉCURITÉ DE L'ÉQUIPEMENT. LE FABRICANT DE L'APPAREIL DÉCLINE TOUTE RESPONSABILITÉ EN CAS DE DOMMAGES DÛS AU NON RESPECT DES CONSIGNES CI DESSOUS.



Repérer le modèle d'appareil. Le modèle est indiqué sur l'emballage et la plaque signalétique de l'appareil.

Installer l'appareil seulement dans des locaux suffisamment aérés.

L'installation et la conversion à un autre type de gaz doivent être effectués par des installateurs qualifiés et agréés par le fabricant, conformément aux normes de sécurité en vigueur et aux consignes données dans ce manuel.

L'entretien et la conversion à un autre type de gaz de l'appareil doivent être effectués par des installateurs qualifiés et agréés par le fabricant, conformément aux normes de sécurité en vigueur et aux consignes données dans ce manuel.

Ne pas obstruer les orifices d'aération et d'évacuation de l'appareil.

Ne pas manipuler les pièces de l'appareil.

3. NORMES ET TEXTES DE LOI DE RÉFÉRENCE

- Installer les appareils en conformité avec les normes de sécurité en vigueur dans le pays.

4. DÉBALLAGE

- Contrôler l'état de l'emballage et demander au transporteur d'inspecter la marchandise en cas de dommages évidents.
- Enlever l'emballage.
- Enlever la pellicule protégeant les panneaux extérieurs. Éliminer les éventuels résidus de colle avec un solvant adapté.

5. MISE EN PLACE

Les dimensions de l'appareil et la position des raccordements sont indiquées dans le schéma d'installation figurant à la fin de ce manuel.

L'appareil peut être installé seul ou avec d'autres appareils de la même gamme.

Cet appareil ne peut pas être encastré.

Installer l'appareil à une distance de 10 cm minimum des murs.

Si l'équipement doit être mis près de murs, séparations, éléments décoratives, etc. ceux-ci doivent être faits en matériaux incombustibles

Dans le cas contraire ils doivent être couverts avec matériaux thermo-isolants incombustibles ;

Mettre l'appareil d'aplomb à l'aide des pieds réglables.

MONTAGE DE L'APPAREIL SUR UN SOCLE EN PONT

Suivre les instructions données avec le type de support utilisé.

SYSTÈME D'ÉVACUATION DES FUMÉES

Prévoir un système d'évacuation des fumées conformément au " Type " d'appareil. Le " Type " est indiqué sur la plaque signalétique de l'appareil.

APPAREIL DE TYPE " A1 "

Mettre les appareils de type "A1" sous une hotte aspirante pour assurer l'évacuation des fumées et des vapeurs de cuisson.

APPAREIL DE TYPE " B21 "

Installer l'appareil de type "B21" sous une hotte aspirante.

APPAREIL DE TYPE " B11 "

Monter le conduit de cheminée à demander au fabricant sur l'appareil de type "B11". Suivre les instructions de montage jointes au conduit de cheminée.

Raccorder au conduit de cheminée un tuyau d'un diamètre de 150/155 mm, résistant à une température de 300°C.

Poursuivre vers l'extérieur ou dans un conduit de cheminée effi cace. La longueur du tuyau ne doit

pas dépasser 3 mètres.

6. RACCORDEMENTS

La position et la dimension des raccordements sont précisées sur le schéma d'installation figurant à la fin de ce manuel.

RACCORDEMENT À LA CONDUITE DE GAZ

- Vérifier si l'appareil est prévu pour le type de gaz qui l'alimentera. Contrôler les indications sur les talons figurant sur l'emballage et sur l'appareil.
- Si nécessaire, adapter l'appareil au type de gaz utilisé. Suivre les instructions du Paragraphe "Adaptation à un autre type de gaz".
- Sur les appareils hauts, un raccordement à l'arrière est disponible. Dévisser le bouchon et le visser de façon étanche sur le raccordement avant.
- Installer un robinet d'arrêt à fermeture rapide en amont de l'appareil, dans un endroit facilement accessible.
- Ne pas utiliser de tuyaux de raccordement d'un diamètre inférieur à celui du raccordement de gaz de l'appareil.
- Après le raccordement, vérifier qu'il n'y ait pas de fuites au niveau du raccordement.

BRANCHEMENT ÉLECTRIQUE

Vérifier si l'appareil est prévu pour fonctionner à la tension et à la fréquence auxquelles il sera alimenté. Contrôler la plaque signalétique placée sur l'appareil et placée à côté de la borne.

Installé en amont de l'appareil dans un endroit facilement accessible, tous les pôles dispositif de déconnexion avec une distance d'ouverture des contacts qui permet une déconnexion complète dans les conditions de la catégorie de surtension III. Utiliser un cordon d'alimentation flexible avec gaine isolante en caoutchouc ayant des caractéristiques au moins égales au type H05 RN-F.

Relier le cordon d'alimentation à la plaque à bornes selon les indications du schéma électrique remis avec l'appareil.

Bloquer le cordon d'alimentation avec le presse-étoupe.

Protéger le cordon d'alimentation à l'extérieur de l'appareil avec un conduit en métal ou en plastique rigide.

Si le câble d'alimentation est endommagé, il doit être remplacé pour le fabricant ou pour son service d'assistance ou pour une personne avec

qualification similaire, afin de prévenir tous risques.



LE SYMBOLE "HAUTE TENSION" EST PLACÉ SUR UN PANNEAU QUI DONNE ACCÈS À UNE PARTIE AVEC HAUTE VOLTAGE.

MISE À LA TERRE ET NOUÉD EQUIPOTENTIEL

- Brancher l'appareil sous tension à une prise de terre efficace. Relier le conducteur de terre à la borne portant le symbole ⊕ situé à côté de la plaque à bornes d'arrivée de la ligne.
- Relier la structure métallique de l'appareil sous tension à un noeud équipotentiel. Relier le conducteur à la borne portant le symbole ∇ situé sur la partie extérieure du fond.

RACCORDEMENT AU RÉSEAU HYDRIQUE

- Alimenter l'appareil avec de l'eau potable. La pression d'alimentation de l'eau doit être de 150 kPa à 300 kPa. Utiliser un réducteur si la pression d'alimentation est supérieure à celle maximale indiquée.
- Installer un filtre mécanique et un robinet d'arrêt en amont de l'appareil, dans un endroit facilement accessible.
- Éliminer les éventuels dépôts ferreux des tuyaux de raccordement avant de raccorder le filtre et l'appareil.
- Fermer les raccords n'étant pas reliés avec un bouchon étanche.
- Après le raccordement, vérifier qu'il n'y ait pas de fuites au niveau du raccordement.

RACCORDEMENT À L'ÉVACUATION DES EAUX USÉES

Les conduits d'évacuation doivent être réalisés dans des matériaux résistant à une température de 100 °C. La vapeur dégagée par l'évacuation d'eau chaude ne doit pas entrer en contact avec le fond de l'appareil.

Prévoir un puisard siphonné et grillagé sous le robinet d'évacuation des eaux des casseroles et en face des braisières.



7. ADAPTATION À UN AUTRE TYPE DE GAZ

Le tableau Tab1 indique:

les gaz pouvant être utilisés pour le fonctionnement de l'appareil.

les injecteurs et les réglages pour chaque gaz pouvant être utilisé.

Pour les injecteurs, le nombre indiqué dans le tableau TAB1 est estampillé sur le corps de l'injecteur.

Pour adapter l'appareil au type de gaz qui l'alimentera, suivre les instructions du tableau TAB1 et effectuer les opérations ci dessous:

Remplacer l'injecteur du brûleur principal (UM).

Placer l'aérateur du brûleur principal à la distance A.

Remplacer l'injecteur de la veilleuse (UP).

Régler l'air de la veilleuse (si nécessaire).

Remplacer la veilleuse du minimum du robinet de gaz (Um).

Apposer la plaquette adhésive indiquant le nouveau type de gaz utilisé sur l'appareil.

Les injecteurs et les plaquettes adhésives sont livrés avec l'appareil.

REPLACEMENT DE LA BUSE ET LE RÉGLAGE DE L'AIR PRIMAIRE DU BRÛLEUR PRINCIPAL,

Démonter le panneau de commandes.

Démonter l'injecteur UM et le remplacer par celui indiqué dans le tableau TAB1.

Revisser à fond l'injecteur UM.

Desserrer la vis V et placer l'aérateur à la distance A indiquée dans le tableau TAB1.

Revisser à fond la vis V.

Remonter toutes les pièces. Effectuer dans l'ordre inverse les opérations de démontage.

REPLACEMENT DE LA VIS DU MINIMUM

Démonter le panneau de commandes.

Démonter l'injecteur UM et le remplacer par celui indiqué dans le tableau TAB1.

Revisser à fond l'injecteur UM.

Remonter toutes les pièces. Effectuer dans l'ordre inverse les opérations de démontage.

REPLACEMENT DE L'INJECTEUR DE LA VEILLEUSE

Démonter le panneau de commandes.

Dévisser le raccord R.

Démonter l'injecteur UP et le remplacer par celui indiqué dans le tableau TAB1.

Revisser à fond le raccord R. Remonter toutes les pièces.

Après, dans l'ordre inverse, la séquence utilisée pour leur élimination.

8. MISE EN SERVICE

Après l'installation, l'adaptation à un autre type de gaz ou des interventions d'entretien, vérifier le fonctionnement de l'appareil. En cas de dysfonctionnements, consulter le paragraphe " Résolution des dysfonctionnements " .

APPAREIL À GAZ

Mettre l'appareil en marche conformément aux instructions d'utilisation figurant au chapitre " INSTRUCTIONS POUR L'UTILISATION " et vérifier: la pression d'alimentation du gaz (voir le paragraphe suivant).

la régularité d'allumage des brûleurs et l'efficacité de l'installation d'évacuation des fumées.

VÉRIFICATION DE LA PRESSION D'ALIMENTATION DU GAZ

Utiliser un manomètre d'une précision égale ou supérieure à 0,1 mbar.

Démonter le panneau de commandes.

Enlever la vis d'étanchéité de la prise de pression PP et relier le manomètre.

Effectuer la mesure avec l'appareil en marche.



ATTENTION! SI LA PRESSION D'ALIMENTATION DU GAZ NE RENTRE PAS DANS LES VALEURS LIMITES (MIN. - MAX) INDIQUÉES DANS LE TABLEAU TAB2, INTERROMPRE LE FONCTIONNEMENT DE L'APPAREIL ET CON-TACTER LA SOCIÉTÉ DE DISTRIBUTION DE GAZ.

Détacher le manomètre et revisser à fond la vis d'étanchéité sur la prise de pression.

EQUIPEMENTS ELECTRIQUES

Mettre l'appareil en marche conformément aux instructions d'utilisation figurant au chapitre " INSTRUCTIONS POUR L'UTILISATION " et vérifier:

les valeurs du courant de chaque phase.

la régularité d'allumage des résistances de chauffage.

III. INSTRUCTIONS POUR L'UTILISATION

9. AVERTISSEMENTS POUR L'UTILISATEUR



LIRE ATTENTIVEMENT CE MANUEL. IL DONNE DES INFORMATIONS IMPORTANTES POUR L'INSTALLATION, L'UTILISATION ET L'ENTRETIEN DE L'APPAREIL EN TOUTE SÉCURITÉ. LE FABRICANT DE L'APPAREIL DÉCLINE TOUTE RESPONSABILITÉ EN CAS DE DOMMAGES DÛS AU NON RESPECT DES CONSIGNES CI DESSOUS.



Pour l'assistance, s'adresser uniquement aux centres techniques agréés par le fabricant et exiger des pièces détachées originales.

Faire contrôler l'appareil au moins deux fois par an. Il convient de stipuler un contrat d'entretien.

Cet appareil est destiné à un usage professionnel et doit donc être utilisé par du personnel formé à cet effet.

L'appareil est destiné à la cuisson d'aliments comme indiqué dans les avertissements. Toute autre utilisation est impropre.

Éviter de faire marcher l'appareil à vide pendant de longues périodes. Préchauffer l'appareil juste avant de l'utiliser.

Surveiller l'appareil pendant son fonctionnement.

En cas de panne ou de dysfonctionnement de l'appareil, fermer le robinet d'arrêt du gaz et/ou désactiver l'interrupteur général d'alimentation électrique installés en amont de l'appareil.

Effectuer le nettoyage conformément aux instructions données dans le Chapitre " INSTRUCTIONS POUR LE NETTOYAGE " .



NE PAS STOCKER DE SUBSTANCES INFLAMMABLES À PROXIMITÉ DE L'APPAREIL. DANGER D'INCENDIE.

Ne pas obstruer les orifices d'aération et d'évacuation de l'appareil.

Ne pas manipuler les pièces de l'appareil.

Conserver ce manuel dans un endroit sûr et connu afin de pouvoir le consulter pendant toute la durée de vie utile de l'appareil.

L'installation l'entretien de l'appareil doivent être effectués par des installateurs qualifiés et agréés par le fabricant, conformément aux normes de sécurité en vigueur et aux consignes données dans ce manuel.

L'entretien et la conversion à un autre type de gaz de l'appareil doivent être effectués par des installateurs qualifiés et agréés par le fabricant, conformément aux normes de sécurité en vigueur et aux consignes données dans ce manuel.

10. POSITIONNEMENT DES GRILLES EN FONTE

La grille de cuisson est réversible, inclinée pour les viandes et horizontale pour le poisson et les légumes.

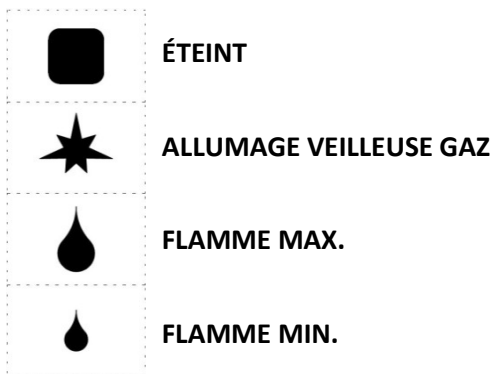
11. UTILISATION DU GRILL AU GAZ

Cet appareil est destiné à la cuisson d'aliments disposés sur les grilles fournies avec l'appareil.

Le grill ne doit pas être utilisé pour chauffer des casseroles ou des poêles.

ALLUMAGE ET EXTINCTION DES BRULEURS

La manette de commande du robinet de gaz a les positions d'utilisation suivantes:



ALLUMAGE DE LA VEILLEUSE

- Appuyer sur la manette et la tourner dans la position "allumage veilleuse gaz".
- Appuyer à fond sur la manette et allumer la veilleuse en appuyant sur le bouton de l'allumeur piézoélectrique.
- Appuyer encore sur la manette pendant 20 secondes environ et la relâcher. Répéter l'opération si la veilleuse s'éteint.

ALLUMAGE DU BRULEUR PRINCIPAL

- Pour allumer le brûleur principal, tourner la manette de la position "allumage veilleuse gaz" en

position "flamme maximum".

Tourner ensuite la manette, selon les besoins de cuisson, dans n'importe quelle position comprise entre " flamme max. " et " flamme minimum " .

ARRÊT

- Pour éteindre le brûleur principal, tourner la manette en position " Allumage veilleuse gaz " .
- Pour éteindre la veilleuse, appuyer sur la manette et la tourner en position " Éteint " .

UTILISATION DE LA LÈCHEFRITE

- Il est conseillé de verser 2-3 cm d'eau dans les lèchefrites pour faciliter le nettoyage et obtenir une meilleure cuisson.

Tiroir de récolte des graisses

Les graisses de cuisson qui tombent du grill de cuisson et passent à travers le brasier s'accumulent dans un tiroir spécial. Vider et nettoyer régulièrement ce tiroir.

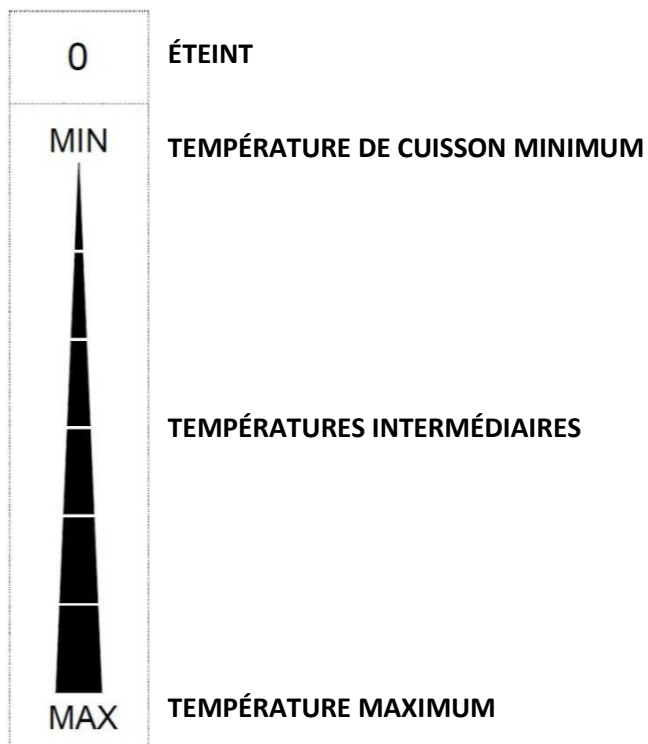
12. UTILISATION DU GRILL ÉLECTRIQUE

Cet appareil est destiné à la cuisson d'aliments disposés sur les grilles fournies avec l'appareil.

Le grill ne doit pas être utilisé pour chauffer des casseroles ou des poêles.

ALLUMAGE ET EXTINCTION DU CHAUFFAGE

La manette de commande du thermostat a les positions d'utilisation suivantes:



ALLUMAGE

- Tourner la manette du thermostat dans la position correspondant à la température de cuisson choisie.
- Le voyant jaune s'allume.
- L'extinction du voyant jaune indique que la température choisie est atteinte.

ARRÊT

Tourner la manette du thermostat dans la position " 0 " .

Le voyant jaune s'éteint.

UTILISATION DE LA LÈCHEFRITE

Il est conseillé de verser 2-3 cm d'eau dans les lèchefrites pour faciliter le nettoyage et obtenir une meilleure cuisson.

TIROIR DE RÉCOLTE DES GRAISSES

Les graisses de cuisson qui tombent du grill de cuisson et passent à travers le brasier s'accumulent dans un tiroir spécial. Vider et nettoyer régulièrement ce tiroir.

13. UTILISATION DU GRILL À PIERRE DE LAVE AU GAZ

Cet appareil est destiné à la cuisson d'aliments disposés sur les grilles fournies avec l'appareil.

Le grill ne doit pas être utilisé pour chauffer des casseroles ou des poêles.

REPLISSAGE DE LA LAVE

Les appareils sont livrés avec 2 sacs de pierre de lave pour chaque brasier (zone de cuisson).

Chaque sac pèse 4 kg.

Taille de la lave : diamètre minimum 25 mm, diamètre maximum 30 mm, longueur maximum 50 mm avec tolérance de +/- 5%.

Verser le contenu d'un seul sac de façon uniforme sur chaque brasier. Ne jamais dépasser la quantité prescrite.

Le deuxième sac sera utilisé pour compenser progressivement la lave utilisée.

TIROIR DE RÉCOLTE DES GRAISSES

Les graisses de cuisson qui tombent du grill de cuisson et passent à travers le brasier s'accumulent dans un tiroir spécial. Vider et nettoyer régulièrement ce tiroir.

ALLUMAGE ET EXTINCTION DES BRULEURS

La manette de commande du robinet de gaz a les positions d'utilisation suivantes:



ALLUMAGE DE LA VEILLEUSE

- Appuyer sur la manette et la tourner dans la position "allumage veilleuse gaz".

- Appuyer à fond sur la manette et allumer la veilleuse en appuyant sur le bouton de l'allumeur piézoélectrique.
- Appuyer encore sur la manette pendant 20 secondes environ et la relâcher. Répéter l'opération si la veilleuse s'éteint.

ALLUMAGE DU BRULEUR PRINCIPAL

- Pour allumer le brûleur principal, tourner la manette de la position "allumage veilleuse gaz" en position "flamme maximum".
- Tourner ensuite la manette, selon les besoins de cuisson, dans n'importe quelle position comprise entre " flamme max. " et " flamme minimum " .

ARRÊT

- Pour éteindre le brûleur principal, tourner la manette en position " Allumage veilleuse gaz " .
- Pour éteindre la veilleuse, appuyer sur la manette et la tourner en position " Éteint " .

14. PÉRIODES D'INACTIVITÉ

Avant une période d'inactivité prévue, procéder comme suit:

- Nettoyer soigneusement l'appareil.
- Passer un chiffon imbibé d'un peu d'huile de vaseline sur toutes les surfaces de façon à étaler un film de protection.
- Fermer les robinets ou interrupteurs généraux en amont des appareils.

Après une période d'inactivité prolongée, procéder comme suit:

- Contrôler l'appareil avant de le réutiliser.
- Faire fonctionner les appareils électriques à la température minimum pendant au moins 60 minutes.

IV. INSTRUCTIONS POUR LE NETTOYAGE

15. AVERTISSEMENTS POUR LE NETTOYAGE



LIRE ATTENTIVEMENT CE MANUEL. IL DONNE DES INFORMATIONS IMPORTANTES POUR L'INSTALLATION, L'UTILISATION ET L'ENTRETIEN DE L'APPAREIL EN TOUTE SÉCURITÉ. LE FABRICANT DE L'APPAREIL DÉCLINE TOUTE RESPONSABILITÉ EN CAS DE DOMMAGES DÛS AU NON RESPECT DES CONSIGNES CI DESSOUS. COUPER L'ALIMENTATION ÉLECTRIQUE DE L'APPAREIL, SI SOUS TENSION, AVANT TOUTE OPÉRATION.



- Nettoyer tous les jours les surfaces extérieures en acier inox poli, la surface des cuves de cuisson, la surface des plaques de cuisson.
- Faire nettoyer les pièces internes de l'appareil au moins deux fois par an par un technicien agréé.
- Ne pas utiliser de produits corrosifs pour nettoyer le sol sous l'appareil.
- Ne pas laver l'appareil avec des jets d'eau directs ou à haute pression.

SURFACES POLIES EN ACIER INOXYDABLE

- Nettoyer les surfaces avec un chiffon ou une éponge en utilisant de l'eau et des produits nettoyants non abrasifs. Passer le chiffon dans le sens du polissage. Rincer souvent et sécher ensuite soigneusement.
- Ne pas utiliser de tampons à récurer ni d'autres objets en fer.
- Ne pas utiliser de produits chimiques contenant du chlore.
- Ne pas utiliser d'objets pointus pouvant rayer la surface.

LÈCHFRITES

- Nettoyer la surface en éliminant toute trace de graisse, d'huile, de résidus alimentaires, etc.. .

GRILL AU GAZ

Nettoyage du brûleur et de la grille du foyer



ATTENTION : AVANT D'EFFECTUER LES OPÉRATIONS DE NETTOYAGE, S'ASSURER QUE LES GRILLES ONT REFROIDI.

- Enlever la grille de cuisson et le dispositif de protection contre les éclaboussures en les soulevant.
- Démontez les éléments radiants en les soulevant légèrement par l'arrière et en les sortant des goujons du guide avant.
- Nettoyer le brûleur dans la zone de la flamme et le long des fentes de la protection de flamme, en éliminant toute trace de poussière et de dépôts en tous genres, en veillant à ne pas élargir les orifices de sortie de la flamme.
- Nettoyer les ailettes de la chambre de combustion qui acheminent les sauces dans la lèchefrite avec un racloir et essuyer ensuite avec un chiffon humide.
- Faire attention à ne pas endommager le groupe d'allumage de la veilleuse.
- Remonter l'élément radiant en s'assurant que les goujons avant s'insèrent dans leurs sièges.

GRILL À PIERRE DE LAVE GAZ



ATTENTION : AVANT D'EFFECTUER LES OPÉRATIONS DE NETTOYAGE, S'ASSURER QUE LES GRILLES ONT REFROIDI.

- Enlever la grille de cuisson et le brasier contenant la pierre de lave.
- Nettoyer le brûleur dans la zone de la flamme et le long des fentes de la protection de flamme, en éliminant toute trace de poussière et de dépôts en tous genres, en veillant à ne pas élargir les orifices de sortie de la flamme.

GRILL ÉLECTRIQUE



ATTENTION : AVANT D'EFFECTUER LES OPÉRATIONS DE NETTOYAGE, S'ASSURER QUE LES RÉSISTANCES ONT REFROIDI.

- Couper l'alimentation électrique.
- Enlever la grille et le dispositif de protection contre les éclaboussures.
- Nettoyer l'intérieur du grill avec un racloir.



ATTENTION : ÉVITER DE NETTOYER LES RÉSISTANCES ET NE PAS UTILISER D'EAU À L'INTÉRIEUR DU GRILL À CAUSE DE LA PRÉSENCE DE COMPOSANTS ÉLECTRIQUES.

V. INSTRUCTIONS POUR L'ENTRETIEN

16. AVERTISSEMENTS POUR LE TECHNICIEN D'ENTRETIEN



LE FABRICANT DE L'APPAREIL DÉCLINE TOUTE RESPONSABILITÉ EN CAS DE DOMMAGES DÛS AU NON RESPECT DES CONSIGNES CI DESSOUS.

Repérer le modèle d'appareil. Le modèle est indiqué sur l'emballage et la plaque signalétique de l'appareil.

Installer l'appareil seulement dans des locaux suffisamment aérés.

Ne pas obstruer les orifices d'aération et d'évacuation de l'appareil.

Ne pas manipuler les pièces de l'appareil.

L'entretien et la conversion à un autre type de gaz de l'appareil doivent être effectués par des installateurs qualifiés et agréés par le fabricant, conformément aux normes de sécurité en vigueur et aux consignes données dans ce manuel.

17. ADAPTATION À UN AUTRE TYPE DE GAZ

Voir le chapitre "Instructions pour l'installation".

18. MISE EN SERVICE

Voir le chapitre "Instructions pour l'installation".

19. RÉOLUTION DES DYSFONCTIONNEMENTS

GRILL AU GAZ

LA VEILLEUSE NE S'ALLUME PAS.

Causes possibles:

- La pression d'alimentation du gaz est insuffisante.
- La conduite ou l'injecteur est obstrué (e).
- Le robinet de gaz ou la valve de gaz est en panne.
- La bougie d'allumage est mal reliée ou défectueuse.
- L'allumeur ou le câble de la bougie est en panne.

LA VEILLEUSE NE RESTE PAS ALLUMÉE OU S'ÉTEINT PENDANT L'UTILISATION.

Causes possibles:

- La pression d'alimentation du gaz est insuffisante.
- Le robinet de gaz ou la valve de gaz est en panne.
- Le thermocouple est défectueux ou n'est pas suffisamment chauffé.
- Le thermocouple est mal relié au robinet ou à la valve de gaz.
- La manette du robinet ou de la valve de gaz n'est pas suffisamment pressée.

LE BRÛLEUR PRINCIPAL NE S'ALLUME PAS (MÊME SI LA VEILLEUSE EST ALLUMÉE).

Causes possibles:

- Le brûleur est défectueux (orifices de sortie du gaz bouchés).

GRILL ÉLECTRIQUE

L'APPAREIL NE CHAUFFE PAS.

Causes possibles:

- Le thermostat de réglage de la température est défectueux.
- Les résistances sont défectueuses.

LE CHAUFFAGE NE SE RÈGLE PAS.

Causes possibles:

- Le thermostat de réglage de la température est défectueux.

GRILL À PIERRE DE LAVE GAZ

LA VEILLEUSE NE S'ALLUME PAS.

Causes possibles:

- La pression d'alimentation du gaz est insuffisante.
- La conduite ou l'injecteur est obstrué (e).
- Le robinet de gaz ou la valve de gaz est en panne.
- La bougie d'allumage est mal reliée ou défectueuse.
- L'allumeur ou le câble de la bougie est en panne.

LA VEILLEUSE NE RESTE PAS ALLUMÉE OU S'ÉTEINT PENDANT L'UTILISATION.

Causes possibles:

- La pression d'alimentation du gaz est insuffisante.

- Le robinet de gaz ou la valve de gaz est en panne.
- Le thermocouple est défectueux ou n'est pas suffisamment chauffé.
- Le thermocouple est mal relié au robinet ou à la valve de gaz.
- La manette du robinet ou de la valve de gaz n'est pas suffisamment pressée.

LE BRÛLEUR PRINCIPAL NE S'ALLUME PAS (MÊME SI LA VEILLEUSE EST ALLUMÉE).

Causes possibles:

- Le brûleur est défectueux (orifices de sortie du gaz bouchés).

20. REMPLACEMENT DE PIÈCES

AVERTISSEMENTS POUR LE REMPLACEMENT DES PIÈCES



FERMER LE ROBINET D'ARRÊT DU GAZ ET/OU DÉSACTIVER L'INTERRUPTEUR GÉNÉRAL D'ALIMENTATION ÉLECTRIQUE INSTALLÉS EN AMONT DE L'APPAREIL.



COUPER L'ALIMENTATION ÉLECTRIQUE DE L'APPAREIL, SI SOUS TENSION, AVANT TOUTE OPÉRATION.



APRÈS LE REMPLACEMENT D'UNE PIÈCE DU CIRCUIT DE GAZ, VÉRIFIER L'ABSENCE DE FUITES AUX POINTS DE RACCORDEMENT AU CIRCUIT.



APRÈS LE REMPLACEMENT D'UN COMPOSANT DU CIRCUIT ÉLECTRIQUE, VÉRIFIER QU'IL EST CORRECTEMENT RELIÉ AU CÂBLAGE.

GRILL AU GAZ

REEMPLACEMENT DU ROBINET DE GAZ.

- Sortir la manette.
- Démonter la façade.
- Retirer et remplacer le composant.
- Remonter toutes les pièces. Effectuer dans l'ordre inverse les opérations de démontage.

REEMPLACEMENT DU BRÛLEUR PRINCIPAL, DE LA VEILLEUSE ET DE LA THERMOCOUPLE

- Enlever la lèchefrite.

- Démonter le panneau de commandes.
- Retirer et remplacer le composant.
- Remonter toutes les pièces. Effectuer dans l'ordre inverse les opérations de démontage.

REPLACEMENT DU BRÛLEUR PRINCIPAL.

- Enlever la lèchefrite.
- Sortir la manette.
- Démonter la façade inférieure.
- Démonter le panneau de commandes.
- Démonter le dispositif de protection contre les éclaboussures, les grilles, les éléments radiants, le support avant des éléments radiants et la protection des brûleurs.
- Retirer et remplacer le composant.
- Remonter toutes les pièces. Effectuer dans l'ordre inverse les opérations de démontage.

GRILL ÉLECTRIQUE

REPLACEMENT DU SÉLECTEUR ET DU VOYANT

- Enlever la lèchefrite.
- Sortir la manette.
- Démonter la façade inférieure.
- Retirer et remplacer le composant.
- Remonter toutes les pièces. Effectuer dans l'ordre inverse les opérations de démontage.

REPLACEMENT DES RÉSISTANCES.

- Enlever la lèchefrite.
- Démonter le panneau de commandes.
- Enlever le dispositif de protection contre les éclaboussures et la grille.
- Démonter le boîtier et la protection des terminaisons des résistances en dévissant les vis autotaraudeuses de la partie supérieure du plan.
- Remplacer le composant en le sortant de la partie supérieure.
- Remonter toutes les pièces. Effectuer dans l'ordre inverse les opérations de démontage.

REPLACEMENT DU THERMOSTAT DE TRAVAIL.

- Enlever la lèchefrite.
- Sortir la manette.
- Enlever le panneau inférieur du bandeau de commandes.
- Retirer et remplacer le composant.

- Remonter toutes les pièces. Effectuer dans l'ordre inverse les opérations de démontage.

GRILL À PIERRE DE LAVE GAZ

REPLACEMENT DU ROBINET DE GAZ.

- Démonter le panneau de commandes.
- Retirer et remplacer le composant.
- Remonter toutes les pièces. Effectuer dans l'ordre inverse les opérations de démontage.

REPLACEMENT DE LA VEILLEUSE ET DU THERMOCOUPLE.

- Démonter le panneau de commandes.
- Démonter les grills, la lave, le brasier de support.
- Retirer et remplacer le composant.
- Remonter toutes les pièces. Effectuer dans l'ordre inverse les opérations de démontage.

REPLACEMENT DU BRÛLEUR PRINCIPAL.

- Démonter le panneau de commandes.
- Démonter les grills, la lave, le brasier de support.
- Retirer et remplacer le composant.
- Remonter toutes les pièces. Effectuer dans l'ordre inverse les opérations de démontage.

21. NETTOYAGE DES PIÈCES INTERNES

Contrôler l'état des pièces se trouvant à l'intérieur de l'appareil.

Enlever la saleté s'étant éventuellement déposée. Contrôler et nettoyer le système d'évacuation des fumées.

22. PIÈCES PRINCIPALES

GRILL AU GAZ

- Robinet De Gaz
- Brûleur Principal
- Veilleuse
- Thermocouple
- Bougie d'allumage
- Allumeur piézoélectrique

GRILL ÉLECTRIQUE

- Thermostat de travail
- Résistance
- Voyant

GRILL À PIERRE DE LAVE GAZ

- Brûleur Principal
- Veilleuse
- Thermocouple
- Bougie d'allumage
- Allumeur piézoélectrique
- Robinet De Gaz
- Brasier
- Lave volcanique

DE - INSTALLATION – GEBRAUCH - WARTUNG

I. ALLGEMEINE HINWEISE



LESEN SIE DIESE ANLEITUNG AUFMERKSAM DURCH. SIE ENTHÄLT WICHTIGE HINWEISE ZUR INSTALLATIONS, GEBRAUCHS-UND WARTUNGSSICHERHEIT DES GERÄTS. NICHTBEACHTUNG WAS IST UNTEN DARGESTELLT ERFÜLLEN KANN ZUR BEEINTRÄCHTIGUNG DER SICHERHEIT DER GERÄTE.



DER GERÄTEHERSTELLER IST NICHT HAFTBAR FÜR EVENTUELLE SCHÄDEN, DIE DURCH MISSACHTUNG DER NACHSTEHENDEN PFLICHTEN VERURSACHT WERDEN.



ÜBERSETZUNG DER URSPRÜNGLICHEN ANWEISUNGEN.



BEI DER INSTALLIERUNG, LAGERUNG UND/ODER BEFESTIGUNG, SCHALTUNG AN DEN STROMNETZ DER GERÄTE BITTE DIE SICHERHAITSMAßNAHMEN BEACHTEN. BITTE DEN KAPITEL "MONTAGEANLEITUNG" LESEN



BEI DER REINIGUNG DER GERÄTE BEACHTEN SIE DIE SICHERHEITSMAßNAHMEN FÜR REINIGUNG. BITTE DEN KAPITEL "REINIGUNGSANLEITUNG" LESEN.



DAS SYMBOL "GEFÄHRLICHE SPANNUNG" BEDEUTET, DASS DIESE TEILEN SIND VON GEFÄHRLICHER SPANNUNG BETROFFEN



Bewahren Sie diese Anleitung an einem sicheren und bekannten Ort auf, damit sie während der Nutzungsdauer des Geräts eingesehen werden kann.

Dieses Geräte wurde für das Kochen von Speisen entwickelt. Es ist für den industriellen Gebrauch bestimmt. Jeder andere Gebrauch ist bestimmungsfremd.

Dieses Gerät darf nicht durch Personen (Kinder eingeschlossen) benutzt werden, die körperlich behindert, in ihrer Wahrnehmungsfähigkeit oder ihren geistigen Kräften eingeschränkt sind oder denen Erfahrung und Kenntnisse fehlen.

Außer wenn sie durch eine für ihre Sicherheit verantwortliche Person überwacht oder in den Gebrauch des Gerätes eingewiesen werden.

Vermeiden Sie es, das Gerät in Anwesenheit von Kindern unbeaufsichtigt zu lassen und stellen Sie sicher, dass es nicht von ihnen benutzt wird oder sie mit ihm spielen.

Das Bedienungspersonal des Gerätes muss geschult werden. Das Gerät muss während des Betriebes überwacht werden.



BEWAHREN SIE KEINE ENTAMMBAREN STOFFE IN NÄHE DES GERÄTS AUF. BRANDGEFAHR.

Installieren Sie das Gerät nur in gut belüfteten Räumen.

Eine unzureichende Belüftung führt zu Erstickung. Das Belüftungssystem des Raumes, in dem das Gerät installiert wird, nicht verdecken. Die Belüftungs- oder Auslassöffnungen dieses oder anderer Geräte nicht verdecken.

Schließen Sie bei Defekten oder Betriebsstörungen den Gasabsperrhahn und/oder unterbrechen Sie die Stromversorgung am Hauptschalter, die beide dem Gerät vorgeschaltet sind.

Installation und Umstellung auf einen anderen Gasbetrieb und sind durch qualifiziertes und vom Hersteller autorisiertes Personal entsprechend den einschlägigen Sicherheitsbestimmungen und diesen Anleitungen vorzunehmen.

Wartung und Umstellung auf einen anderen Gasbetrieb des Geräts sind durch qualifiziertes und vom Hersteller autorisiertes Personal entsprechend den einschlägigen Sicherheitsbestimmungen und diesen Anleitungen vorzunehmen.

Beachten Sie bei der Reinigung die Anweisungen im Kapitel "REINIGUNGSANWEISUNGEN".

1. ENTSORGUNG DER VERPACKUNG UND DES GERÄTS

VERPACKUNG

Die Verpackung ist aus umweltverträglichen Materialien gefertigt. Die recyclebaren Kunststoffkomponenten sind:

- Die transparente Hülle, die Beutel mit den Gebrauchsanleitungen und den Düsen (aus Polyethylen - PE).
- Die Umreifungsbänder (aus Polypropylen - PP).

GERÄTE

- Zu mehr als 90% seines Gewichtes besteht das Gerät aus recyclebaren Metallwerkstoffen (Edelstahl, aluminisiertes Blech, Kupfer..).
- Das Gerät ist entsprechend den einschlägigen Vorschriften zu entsorgen.
- Vor der Entsorgung unbrauchbar machen.
- Es darf nicht in die Umwelt gelangen.



DAS SYMBOL DER DURCHGESTRICHE- NEN MÜLLTonne AUF DEM GERÄT ODER SEINER VERPACKUNG BEDEUTET, DASS DAS PRODUKT AM ENDE SEINER NUTZBARKEIT GETRENNT VON DEN ANDEREN ABFÄLLEN ENTSORGT WERDEN MUSS .

DIE GETRENNTE SAMMLUNG DIESES GERÄTS NACH ENDE SEINER NUTZUNGSDAUER WIRD VOM HERSTELLER ORGANISIERT UND VERWALTET. DER BENUTZER, DER SICH VON DIESEM GERÄT BEFREIEN WILL, MUSS SICH DAHER MIT DEM HERSTELLER IN VERBINDUNG SETZEN UND DAS SYSTEM BEFOLGEN, DAS DER HERSTELLER FÜR DIE GETRENNTE SAMMLUNG DES GERÄTS NACH ENDE SEINER NUTZUNGSDAUER EINGEFÜHRT HAT. DIE GEEIGNETE GETRENNTE SAMMLUNG TRÄGT ZUR VERMEIDUNG NEGATIVER AUSWIRKUNGEN AUF UMWELT UND GESUNDHEIT BEI UND UNTERSTÜTZT DIE WIEDERVERWENDUNG UND/ODER DAS RECYCLING DES MATERIALS AUS DEM DAS GERÄT ZUSAMMENGESETZT IST. DIE VERWAHRLOSUNG DES PRODUKTS DURCH DEN EIGENTÜMER FÜHRT ZUR ANWENDUNG DER VON DER GESETZLICHEN BESTIMMUNG

VORGESEHENEN VERWALTUNGSSTRAFEN.

II. INSTALLATIONSANLEITUNGEN

2. HINWEISE FÜR DEN INSTALLATIONSTECHNIKER



LESEN SIE DIESE ANLEITUNG AUFMERKSAM DURCH. SIE ENTHÄLT WICHTIGE HINWEISE ZUR INSTALLATIONS, GEBRAUCHS-UND WARTUNGSSICHERHEIT DES GERÄTS. NICHTBEACHTUNG WAS IST UNTEN DARGESTELLT ERFÜLLEN KANN ZUR BEEINTRÄCHTIGUNG DER SICHERHEIT DER GERÄTE. DER GERÄTEHERSTELLER IST NICHT HAFTBAR FÜR EVENTUELLE SCHÄDEN, DIE DURCH MISSACHTUNG DER NACHSTEHENDEN PFLICHTEN VERURSACHT WERDEN.



Gerätemodell feststellen. Das Modell ist an der Verpackung und auf dem Schild der Gerätedaten vermerkt.

Installieren Sie das Gerät nur in gut belüfteten Räumen.

Installation und Umstellung auf einen anderen Gasbetrieb sind durch qualifiziertes und vom Hersteller autorisiertes Personal entsprechend den einschlägigen Sicherheitsbestimmungen und diesen Anleitungen vorzunehmen.

Wartung und Umstellung auf einen anderen Gasbetrieb des Geräts sind durch qualifiziertes und vom Hersteller autorisiertes Personal entsprechend den einschlägigen Sicherheitsbestimmungen und diesen Anleitungen vorzunehmen.

Verdecken Sie die am Gerät vorhandenen Belüftungsschlitze und Abfl ussöffnungen nicht.

Nehmen Sie keine unerlaubten Änderungen an den Gerätekomponenten vor.

3. BEZUGSNORMEN UND -GESETZE

- Installieren Sie das Gerät in Übereinstimmung mit den geltenden Sicherheitsnormen im Land.

4. AUSPACKEN

- Überprüfen Sie die Verpackung auf Schäden und fordern Sie ggf. den Spediteur zu einer Kontrolle der

Ware auf.

- Entfernen Sie die Verpackung.
- Ziehen Sie die Schutzfolie von den Außenwänden ab. Entfernen Sie eventuelle Klebstoffreste mit geeigneten Lösungsmitteln.

5. GERÄTEAUFSTELLUNG

Die Außenmaße des Geräts und die Position der Anschlüsse sind dem Installationsschema am Ende dieser Anleitungen zu entnehmen.

Das Gerät kann einzeln oder zusammen mit anderen Geräten derselben Baureihe installiert werden.

Das Gerät eignet sich nicht für den Einbau.

Halten Sie einen Mindestabstand von 10 cm von den angrenzenden Wänden ein.

Falls das Gerät in der Nähe von Wänden, Teilern, Möbelstücken, schmückenden Elementen, etc., müssen diese Elemente aus unentzündbarem Stoff hergestellt sind.

Anderenfalls müssen sie mit passendem unentzündbarem wärmeisolierenden Stoff verkleidet sein.

Nivellieren Sie das Gerät mithilfe der höhenverstellbaren Füße

GERÄTEMONTAGE AUF SOCKEL, ALS BRÜCKENELEMENT

Befolgen Sie die zusammen mit dem jeweiligen Halterungselement gelieferten Anleitungen.

WRASENABZUGSSYSTEM

Legen Sie den Wrasenabzug je nach "Gerätetyp" an. Der "Typ" steht auf dem Schild der Gerätedaten.

GERÄTETYP " A1 "

Stellen Sie den Gerätetyp "A1" unter einer Dunstabzugshaube auf, um den Abzug von beim Garen erzeugtem Dunst und Schwaden zu gewährleisten.

GERÄTETYP " B21 "

Stellen Sie den Gerätetyp "B21" unter einer Dunstabzugshaube auf.

GERÄTETYP " B11 "

Montieren Sie über dem Gerätetyp "B11" den passenden Rau-chabzug, der beim Gerätehersteller anzufordern ist. Befolgen Sie die dem Rauchabzug beiliegenden Anleitungen.

Schließen Sie ein bis zu 300°C hitzebeständiges Rohr mit 150/155 mm Durchmesser an den Rauchabzug an.

Führen Sie es nach außen oder in einen garantiert funktionierenden Schornstein ab. Das Rohr darf nicht länger als 3 Meter sein.

6. ANSCHLÜSSE

Position und Abmessungen der Anschlüsse sind dem Installationsschema am Ende dieser Anleitungen zu entnehmen.

ANSCHLUSS AN DIE GASLEITUNG

- Prüfen Sie, ob das Gerät auf die Gasart eingestellt ist, mit der es effektiv betrieben werden soll. Kontrollieren Sie dazu die Angaben auf den an der Verpackung und am Gerät befestigten Etiketten.
- Falls erforderlich, passen Sie das Gerät an die verwendete Gasart an. Gehen Sie nach den Anweisungen im folgenden Abschnitt "Umstellung auf einen anderen Gasbetrieb" vor.
- Für die Aufbaugeräte ist außerdem ein rückseitiger Anschluss verfügbar. Entfernen Sie den Verschluss und verschrauben Sie ihn hermetisch am frontseitigen Anschluss.
- Installieren Sie an einer leicht zugänglichen Stelle vor dem Gerät einen Schnellabsperrhahn.
- Verwenden Sie keine Anschlussrohre mit geringerem Durchmesser als dem des Gasanschlusses des Geräts.
- Stellen Sie nach dem Anschluss sicher, dass keine Undichtigkeiten an den Verbindungsstellen vorliegen.

ANSCHLUSS AN DAS STROMNETZ

Prüfen Sie, ob das Gerät auf die Spannung und die Frequenz eingestellt ist, mit der es effektiv betrieben wird. Kontrollieren Sie dazu das Schild der Gerätedaten und des Klemmbrettes.

Vor dem Gerät in einem leicht zugänglichen Ort, eine allpolige Trennvorrichtung mit einem Kontaktabstand Distanz, die für die vollständige Trennung erlaubt unter den Bedingungen der Überspannungskategorie III installiert.

Verwenden Sie ein flexibles Versorgungskabel mit einem Schutzmantel aus Gummi, das mindestens dem Typ H05 RN-F entsprechen muss.

Schließen Sie das Versorgungskabel an die Klemmenleiste entsprechend dem mit dem Gerät gelieferten Schaltplan an.

Klemmen Sie das Versorgungskabel mit der Kabelschelle fest.



Schützen Sie den geräteexternen Abschnitt des Versorgungskabels mit einem Metallrohr oder einem steifen Kunststoffschlauch.

Falls das Stromkabel beschädigt ist, muss es vom Hersteller oder von Service Techniker oder von einer qualifizierter Person eingewechselt werden, um alle Risiken vorzubeugen



DAS SYMBOL "GEFÄHRLICHE SPANNUNG" BEDEUTET, DASS DIESE TEILEN SIND VON GEFÄHRLICHER SPANNUNG BETROFFEN

VERBINDUNG ZUR ERDE UND EINEM KNOTEN POTENTIALAUSGLEICH

- Schließen Sie das Elektrogerät an eine funktionstüchtige Erdung an. Verbinden Sie den Erdleiter mit der durch das Symbol  markierten Klemme neben der Eingangsklemmenleiste.
- Verbinden Sie die Metallkonstruktion des Elektrogeräts mit einem Potenzialausgleich. Verbinden Sie den Leiter mit der durch das Symbol  markierten Klemme an der Außenseite des Gerätebodens.

ANSCHLUSS AN DIE WASSERLEITUNG

- Das Gerät ist mit Trinkwasser zu versorgen. Der Wasserdruck muss zwischen 150 kPa und 300 kPa betragen. Verwenden Sie einen Druckminderer, falls der Versorgungsdruck höher als der angegebene Höchstdruck sein sollte.
- Schalten Sie dem Gerät einen mechanischen Filter und einen Absperrhahn an einer leicht zugänglichen Stelle vor.
- Reinigen Sie vor dem Anschluss des Filters und des Geräts die Anschlussrohre, um etwaige Eisenschlacken zu entfernen.
- Verschließen Sie die unbenutzten Anschlüsse mit einem hermetischen Verschluss.
- Stellen Sie nach dem Anschluss sicher, dass keine Undichtigkeiten an den Verbindungsstellen vorliegen.

ANSCHLUSS AN DIE WASSERABFLÜSSE

Die Abflussleitungen müssen aus bis zu 100 °C hitzebeständigen Materialien gefertigt sein. Der Geräteboden darf nicht dem vom Warmwasserablauf erzeugten Schwaden ausgesetzt werden.

Legen Sie deshalb unter dem Abflusshahn der Töpfe und gegenüber den Kippbratpfannen einen Bodenablaufschaft mit Gitter und Siphon an.



7. UMSTELLUNG AUF EINE ANDERE GASART

In der Tabelle TAB1 sind angegeben:

welche Gasarten für den Gerätebetrieb in Frage kommen.

die Düsen und die Einstellungen für jede der verwendbaren Gasarten.

Die in Tabelle TAB1 für die Düsen angegebene Nummer ist am Düsenkorpus eingepreßt.

Zur Anpassung des Geräts an die Gasart, mit der es effektiv betrieben wird, die Anweisungen von Tabelle TAB1 befolgen und die nachstehenden Eingriffe vornehmen:

Die Düse des Hauptbrenners ersetzen (UM).

Den Luftregler des Hauptbrenners im Abstand A anbringen.

Die Düse des Zündbrenners ersetzen (UP).

Die Luftregelung des Zündbrenners vornehmen (falls erforderlich).

Die Düse der Kleinststellung des Gasschaltnebels ersetzen (Um).

Versehen Sie das Gerät mit dem auf den neuen Gasbetrieb hinweisenden Aufkleber.

Düsen und Aufkleber sind im Lieferumfang des Geräts einbezogen.

ERSETZEN DER DÜSE UND DER HAUPTBRENNER REGULIERUNG DER PRIMÄRLUFT

Bedienfeld entfernen.

Bauen Sie die Düse UM aus und ersetzen Sie sie durch die mit der in Tabelle TAB1 angegebenen Düse.

Die Düse UM wieder fest verschrauben.

Lockern Sie die Schraube V und bringen Sie den Luftregler auf den in Tabelle T angegebenen Abstand A.

Die Schraube V wieder fest verschrauben.

Sämtliche Teile wieder einbauen. In umgekehrter Reihenfolge wie beim Ausbau vorgehen.

ERSATZ DER KLEINSTELLSCHRAUBE

Bedienfeld entfernen.

Bauen Sie die Düse UM aus und ersetzen Sie sie durch die mit der in Tabelle TAB1 angegebenen Düse.

Die Düse UM wieder fest verschrauben.

Sämtliche Teile wieder einbauen. In umgekehrter Reihenfolge wie beim Ausbau vorgehen.

ERSATZ DER ZUNDBRENNERDÜSE

Bedienfeld entfernen.

Schrauben Sie das Anschlussstück R aus.

Bauen Sie die Düse UP aus und ersetzen Sie sie durch die in der Tabelle TAB1 angegebene Düse.

Das Anschlussstück R wieder fest verschrauben.

Sämtliche Teile wieder einbauen.

Nach, in umgekehrter Reihenfolge, die Reihenfolge für ihre Aufhebung eingesetzt.

8. INBETRIEBNAHME

Überprüfen Sie nach der Installation, der Anpassung an eine andere Gasart oder nach Wartungseingriffen den Gerätebetrieb. Liegen Betriebsstörungen an, können Sie im nachfolgenden Abschnitt "Abhilfe bei Betriebsstörungen" nachschlagen.

GASGERÄTE

Setzen Sie das Gerät entsprechend den Gebrauchsanleitungen und -hinweisen im Kapitel "GEBRAUCHSANLEITUNGEN" in Betrieb und kontrollieren Sie:

den Gasversorgungsdruck (siehe nachstehenden Abschnitt).

das vorschriftsmäßige Einschalten der Brenner und die Funktionstüchtigkeit der Wrasenabzugsanlage.

PRÜFUNG DES GASVERSORGUNGSDRUCKS

Verwenden Sie einen Druckmesser mit 0,1mbar Mindestauflösung.

Bedienfeld entfernen.

Entfernen Sie die Halteschraube vom Druckanschluss und schließen Sie den Druckmesser an.

Nehmen Sie die Messung bei Gerätebetrieb vor.



ACHTUNG! SOLLTE DER GASVERSORGUNGSDRUCK AUßERHALB DES BEREICHS DER GRENZWERTE (MIN. - MAX.) VON TABELLE TAB2 LIEGEN, MÜSSEN SIE DEN GERÄTEBETRIEB UNTERBRECHEN UND MIT DEM GASWERK RÜCKSPRACHE NEHMEN.

Trennen Sie den Druckmesser und verschrauben Sie die Halteschraube wieder fest am Druckanschluss.

GERÄTE ELECTRIC

Setzen Sie das Gerät entsprechend den Gebrauchsanleitungen und -hinweisen im Kapitel "GEBRAUCHSANLEITUNGEN" in Betrieb und kontrollieren Sie:

die Stromwerte jeder Phase.

das vorschriftsmäßige Einschalten der Heizelemente.

III. BEDIENUNGSANWEISUNGEN

9. HINWEISE FÜR DEN BENUTZER



LESEN SIE DIESE ANLEITUNG AUFMERKSAM DURCH. SIE ENTHÄLT WICHTIGE HINWEISE ZUR INSTALLATIONS, GEBRAUCHS-UND WARTUNGSSICHERHEIT DES GERÄTS. DER GERÄTEHERSTELLER IST NICHT HAFTBAR FÜR EVENTUELLE SCHÄDEN, DIE DURCH MISSACHTUNG DER NACHSTEHENDEN PFLICHTEN VERURSACHT WERDEN.



Fordern Sie Kundendienstleistungen nur bei den vom Hersteller autorisierten Servicecentern an und verlangen Sie Originalersatzteile.

Das Gerät sollte zumindest zwei Mal jährlich gewartet werden. Wir raten zum Abschluss eines Wartungsvertrags.

Das Gerät ist für den gewerblichen Gebrauch durch geschultes Personal bestimmt.

Das Gerät dient zum Garen von Lebensmitteln gemäß den Gebrauchshinweisen. Jeder davon abweichende Gebrauch gilt als zweckwidrig.

Vermeiden Sie, das Gerät über längere Zeit hin leer zu betreiben. Heizen Sie das Gerät erst unmittelbar vor dem Gebrauch vor.

Überwachen Sie das Gerät während des Betriebs.

Schließen Sie bei Defekten oder Betriebsstörungen den Gasabsperrhahn und/oder unterbrechen Sie die Stromversorgung am Hauptschalter, die beide dem Gerät vorgeschaltet sind.

Beachten Sie bei der Reinigung die Anweisungen im Kapitel "REINIGUNGSANWEISUNGEN".



BEWAHREN SIE KEINE ENTZÜNDBAREN STOFFE IN NÄHE DES GERÄTS AUF. BRANDGEFAHR.

Verdecken Sie die am Gerät vorhandenen Belüftungsschlitze und Abflusöffnungen nicht.

Nehmen Sie keine unerlaubten Änderungen an den Gerätekomponenten vor.

Bewahren Sie diese Anleitung an einem sicheren und bekannten Ort auf, damit sie während der Nutzungsdauer des Geräts eingesehen werden kann.

Installation und Wartung des Geräts sind durch qualifiziertes und vom Hersteller autorisiertes Personal entsprechend den einschlägigen Sicherheitsbestimmungen und diesen Anleitungen vorzunehmen.

Wartung und Umstellung auf einen anderen Gasbetrieb des Geräts sind durch qualifiziertes und vom Hersteller autorisiertes Personal entsprechend den einschlägigen Sicherheitsbestimmungen und diesen Anleitungen vorzunehmen.

10. POSITIONIERUNG DER GUSSROSTE

Der Grillrost wird für Fleisch schräggestellt und für Fisch und Gemüse in horizontaler Stellung benutzt.

11. GEBRAUCH DES GASGRILLS

Das Gerät ist zum Garen von Lebensmitteln auf den mitgelieferten Einschubrosten bestimmt.

Den Grill nicht zum Erhitzen von Töpfen oder Pfannen verwenden.

EIN- UND AUSSCHALTEN DER BRENNER

Der Hebel des Gashahns hat folgende Betriebsstellungen:



EINSCHALTEN DES ZÜNDBRENNERS

- Den Bedienknopf eindrücken und auf „Zündung Zündbrenner“ drehen.
- Den Knebel ganz eindrücken und den Zündbrenner mit der Taste des Piezozünders einschalten.
- Halten Sie den Bedienknebel für ca. 20 Sekunden gedrückt und lassen Sie ihn dann los. Erlischt die Zündflamme, den Vorgang wiederholen.

EINSCHALTEN DES HAUPTBRENNERS

- Zur Zündung des Hauptbrenners den Bedienknopf von „Zündung Zündbrenner“ auf „max. Flamme“ drehen. Drehen Sie dann je nach Garbedarf den Bedienknebel in eine beliebige Position zwischen " max. Flamme " und " min. Flamme " .

AUSSCHALTEN

- Zum Ausschalten des Hauptbrenners den Knebel auf " Zündung Zündbrenner " drehen.
- Zum Ausschalten des Zündbrenners den Knebel drücken und auf " Aus " drehen.

GEBRAUCH DER ÖLAUFFANGWANNE

- Für bessere Grillergebnisse und um die Reinigung zu erleichtern, wird empfohlen, 2-3 cm Wasser in die Ölauffangwannen zu geben.

FETTAUFFANGSCHUBLADE

Das beim Grillen entstehende Fett tropft durch den Grillrost und den Lavasteinrost in eine Fettauffangschublade. Die Fettauffangschublade muss regelmäßig geleert und gereinigt werden

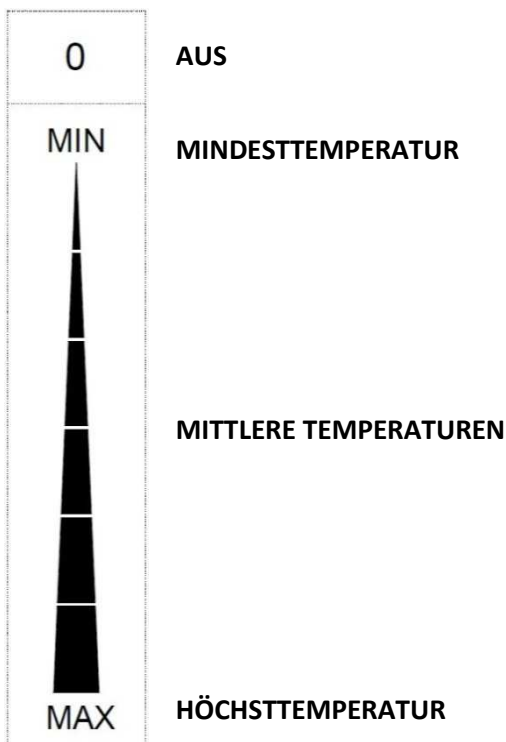
12. GEBRAUCH DES ELEKTROGRILLS

Das Gerät ist zum Garen von Lebensmitteln auf den mitgelieferten Einschubrosten bestimmt.

Den Grill nicht zum Erhitzen von Töpfen oder Pfannen verwenden.

EIN- UND AUSSCHALTEN DER BEHEIZUNG

Der Schaltknebel des Thermostats hat folgende Betriebsstellungen:



EINSCHALTEN

- Drehen Sie den Knebel des Thermostats auf die der gewählten Gartemperatur entsprechende Position.
- Die gelbe Kontrolllampe leuchtet auf.
- Das Erlöschen der gelben Kontrolllampe zeigt an, dass die gewählte Temperaturstufe erreicht wurde.

AUSSCHALTEN

Drehen Sie den Bedienknebel des Thermostats auf "0".

Die gelbe Kontrolllampe erlischt.

GEBRAUCH DER ÖLAUFFANGWANNE

Für bessere Grillergebnisse und um die Reinigung zu erleichtern, wird empfohlen, 2-3 cm Wasser in die Ölauffangwannen zu geben.

FETTAUFFANGSCHUBLADE

Das beim Grillen entstehende Fett tropft durch den Grillrost und den Lavasteinrost in eine Fettauffangschublade. Die Fettauffangschublade muss regelmäßig geleert und gereinigt werden.

13. GEBRAUCH DES GAS-LAVASTEINGRILLS

Das Gerät ist zum Garen von Lebensmitteln auf den mitgelieferten Einschubrosten bestimmt.

Den Grill nicht zum Erhitzen von Töpfen oder Pfannen verwenden.

EINFÜLLEN DER LAVASTEINE

Die Geräte sind mit 2 Lavastein-Packungen pro Rost (Heizzone) ausgestattet.

Jede Packung hat ein Gewicht von 4 kg.

Die Lavasteine haben einen Durchmesser von mindestens 25mm und maximal 30mm bei einer Länge von maximal 50mm, die Toleranz beträgt +/- 5%.

Den Inhalt einer Packung gleichmäßig auf jedem Lavasteinrost verteilen. Auf keinen Fall die angegebenen Mengen überschreiten.

Die zweite Packung darf ausschließlich dazu verwendet werden, die verbrauchten Lavasteine der ersten Packung nach und nach aufzufüllen.

FETTAUFFANGSCHUBLADE

Das beim Grillen entstehende Fett tropft durch den Grillrost und den Lavasteinrost in eine Fettauffangschublade. Die Fettauffangschublade muss regelmäßig geleert und gereinigt werden.

EIN- UND AUSSCHALTEN DER BRENNER

Der Hebel des Gashahns hat folgende Betriebsstellungen:



EINSCHALTEN DES ZÜNDBRENNERS

- Den Bedienknopf eindrücken und auf „Zündung Zündbrenner“ drehen.
- Den Knebel ganz eindrücken und den Zündbrenner mit der Taste des Piezozünders einschalten.
- Halten Sie den Bedienknebel für ca. 20 Sekunden gedrückt und lassen Sie ihn dann los. Erlischt die Zündflamme, den Vorgang wiederholen.

EINSCHALTEN DES HAUPTBRENNERS

- Zur Zündung des Hauptbrenners den Bedienknopf von „Zündung Zündbrenner“ auf „max. Flamme“ drehen.
- Drehen Sie dann je nach Garbedarf den Bedienknebel in eine beliebige Position zwischen " max. Flamme " und " min. Flamme " .

AUSSCHALTEN

- Zum Ausschalten des Hauptbrenners den Knebel auf " Zündung Zündbrenner " drehen.
- Zum Ausschalten des Zündbrenners den Knebel drücken und auf " Aus " drehen.

14. STILLSTANDZEITEN

Gehen Sie vor einer geplanten Stillstandzeit des Geräts wie folgt vor:

- Reinigen Sie das Gerät gründlich.
- Wischen Sie sämtliche Edelstahlflächen mit einem kurz zuvor in Vaselineöl getränkten Tuch ab, um einen Schutzfilm aufzubringen.
- Schließen Sie die dem Gerät vorgeschalteten Haupthähne oder -schalter.

Gehen Sie nach einer längeren Stillstandzeit des Geräts wie folgt vor:

- Kontrollieren Sie das Gerät, bevor Sie es wieder in Betrieb nehmen.
- Setzen Sie die Elektrogeräte bei Mindesttemperatur für wenigstens 60 Minuten in Betrieb.

IV. REINIGUNGSANLEITUNGEN

15. REINIGUNGSHINWEISE



LESEN SIE DIESE ANLEITUNG AUFMERKSAM DURCH. SIE ENTHÄLT WICHTIGE HINWEISE ZUR INSTALLATIONS, GEBRAUCHS-UND WARTUNGSSICHERHEIT DES GERÄTS. DER GERÄTEHERSTELLER IST NICHT HAFTBAR FÜR EVENTUELLE SCHÄDEN, DIE DURCH MISSACHTUNG DER NACHSTEHENDEN PFLICHTEN VERURSACHT WERDEN. VOR DURCHFÜHRUNG JEDES EINGRIFFS MUSS DIE EVENTUELL VORHANDENE STROMZUFUHR ZUM GERÄT GETRENNT WERDEN.



- Reinigen Sie täglich die Außenflächen aus mattiertem Edelstahl, die Flächen der Garbecken und der Kochplatten.
- Beauftragen Sie einen autorisierten Techniker mindestens zwei Mal im Jahr mit der Reinigung des Geräteinneren.
- Verwenden Sie keine korrosiven Produkte, um den Boden unter dem Gerät zu reinigen.
- Waschen Sie das Gerät nicht mit Spritzwasser oder Hochdruckwasserstrahlen.

MATTIERTE EDELSTAHLFLÄCHEN

- Reinigen Sie die Flächen mit einem Tuch oder Schwamm und verwenden Sie dazu Wasser und handelsübliche Reiniger ohne Scheuermittel. Wischen Sie mit dem Tuch im Verlauf der Mattierung. Mehrmals nachspülen und anschließend sorgfältig abtrocknen.
- Keine Kratzschwämme oder andere Metallgegenstände verwenden.
- Verwenden Sie keine chemischen Produkte, die Chlor enthalten.
- Verwenden Sie keine spitzen Gegenstände, die die Flächen einritzen und beschädigen können.

ÖLAUFFANGWANNEN

- Reinigen Sie die Flächen, von Fett, Öl, Speiseresten usw.. .

GASGRILL

Reinigung des Brenners und des Feuerrosts



ACHTUNG: VOR DURCHFÜHRUNG DER REINIGUNGSARBEITEN SICHERSTELLEN, DASS DIE DIE GRILLROSTE ABGEKÜHLT SIND.

- Den Grillrost und den Spritzschutz abnehmen.
- Zum Ausbauen der Heizelemente diese von hinten etwas anheben und aus den vorderen Führungzapfen ziehen.
- Den Brenner im Bereich der Flamme und entlang der Schlitze des Flammenschutzes reinigen. Jeden Rückstand von Staub und Verkrustungen entfernen und darauf achten, die Flammenaustrittsöffnungen nicht zu vergrößern.
- Die Lamellen der Brennkammer, die den Bratensaft in die Ölauffangwanne leiten, mit einem Abschaber reinigen und mit einem feuchten Tuch nachwischen.
- Darauf achten, die Zündeinheit des Zündbrenners nicht zu beschädigen.
- Das Heizelement wieder einbauen. Dabei darauf achten, dass die vorderen Zapfen in ihren Sitzen einrasten.

GAS-LAVASTEINGRILL



ACHTUNG: VOR DURCHFÜHRUNG DER REINIGUNGSARBEITEN SICHERSTELLEN, DASS DIE DIE GRILLROSTE ABGEKÜHLT SIND.

- Den Grillrost und den Rost mit den Lavasteinen abnehmen.
- Den Brenner im Bereich der Flamme und entlang der Schlitze des Flammenschutzes reinigen. Jeden Rückstand von Staub und Verkrustungen entfernen und darauf achten, die Flammenaustrittsöffnungen nicht zu vergrößern.

ELEKTROGRILL



ACHTUNG: VOR DURCHFÜHRUNG DER REINIGUNGSARBEITEN SICHERSTELLEN, DASS DIE HEIZELEMENTE ABGEKÜHLT SIND.

- Stromzufuhr unterbrechen.
- Den Grillrost und den Spritzschutz abnehmen.
- Den Grill innen mit einem Abschaber säubern.



ACHTUNG: DIE HEIZELEMENTE NICHT REINIGEN UND IM INNERN DES GRILLS KEIN WASSER VERWENDEN, DA ELEKTRISCHE BAUTEILE VORHANDEN SIND.

v. WARTUNGSANLEITUNGEN

16. HINWEISE FÜR DEN WARTUNGSTECHNIKER



DER GERÄTEHERSTELLER IST NICHT HAFTBAR FÜR EVENTUELLE SCHÄDEN, DIE DURCH MISSACHTUNG DER NACHSTEHENDEN PFLICHTEN VERURSACHT WERDEN.

Gerätemodell feststellen. Das Modell ist an der Verpackung und auf dem Schild der Gerätedaten vermerkt.

Installieren Sie das Gerät nur in gut belüfteten Räumen.

Verdecken Sie die am Gerät vorhandenen Belüftungsschlitze und Abfl ussöffnungen nicht.

Nehmen Sie keine unerlaubten Änderungen an den Gerätekomponenten vor.

Wartung und Umstellung auf einen anderen Gasbetrieb des Geräts sind durch qualifiziertes und vom Hersteller autorisiertes Personal entsprechend den einschlägigen Sicherheitsbestimmungen und diesen Anleitungen vorzunehmen.

17. UMSTELLUNG AUF EINE ANDERE GASART

Siehe Kapitel "Installationsanleitungen".

18. INBETRIEBNAHME

Siehe Kapitel "Installationsanleitungen".

19. ABHILFE BEI BETRIEBSSTÖRUNGEN

GASGRILL

DER ZÜNDBRENNER SCHALTET SICH NICHT EIN.

Mögliche Ursachen:

- Unzureichender Gasversorgungsdruck.
- Die Leitung oder die Düse sind verstopft.
- Der Gashahn oder das Gasventil sind defekt.
- Die Zündkerze ist falsch angeschlossen oder defekt.
- Der Zünder oder das Zündkerzenkabel sind defekt.

DER ZÜNDBRENNER BLEBT NICHT EINGESCHALTET ODER ERLISCHT WÄHREND DES GEBRAUCHS.

Mögliche Ursachen:

- Unzureichender Gasversorgungsdruck.
- Der Gashahn oder das Gasventil sind defekt.
- Das Thermoelement ist defekt oder wird nicht genügend erhitzt.
- Das Thermoelement ist nicht korrekt an den Gasschaltknebel oder das Gasventil angeschlossen.
- Der Bedienknebel des Gashahns oder des Gasventils wird nicht genügend gedrückt.

DER HAUPTBRENNER SCHALTET SICH (AUCH BEIM EINGESCHALTETEM ZÜNDBRENNER) NICHT EIN.

Mögliche Ursachen:

- Der Brenner ist defekt (Gasaustrittsöffnungen verstopft).

ELEKTROGRILL

DAS GERÄT HEIZ NICHT.

Mögliche Ursachen:

- Der Thermostat des Temperaturreglers ist defekt.
- Die Heizelemente sind defekt.

DIE HEIZLEISTUNG LÄSST SIE SICH NICHT REGULIEREN.

Mögliche Ursachen:

- Der Thermostat des Temperaturreglers ist defekt.

GAS-LAVASTEINGRILL

DER ZÜNDBRENNER SCHALTET SICH NICHT EIN.

Mögliche Ursachen:

- Unzureichender Gasversorgungsdruck.
- Die Leitung oder die Düse sind verstopft.
- Der Gashahn oder das Gasventil sind defekt.
- Die Zündkerze ist falsch angeschlossen oder defekt.
- Der Zünder oder das Zündkerzenkabel sind defekt.

DER ZÜNDBRENNER BLEBT NICHT EINGESCHALTET ODER ERLISCHT WÄHREND DES GEBRAUCHS.

Mögliche Ursachen:

- Unzureichender Gasversorgungsdruck.
- Der Gashahn oder das Gasventil sind defekt.
- Das Thermoelement ist defekt oder wird nicht genügend erhitzt.
- Das Thermoelement ist nicht korrekt an den Gasschaltknebel oder das Gasventil angeschlossen.
- Der Bedienknebel des Gashahns oder des Gasventils wird nicht genügend gedrückt.

DER HAUPTBRENNER SCHALTET SICH (AUCH BEIM EINGESCHALTETEM ZÜNDBRENNER) NICHT EIN.

Mögliche Ursachen:

- Der Brenner ist defekt (Gasaustrittsöffnungen verstopft).

20. ERSATZ VON BAUTEILEN

HINWEISE FÜR DEN ERSATZ VON BAUTEILEN



DEN GASABSPERRHAHN UND/ODER UNTERBRECHEN SIE DIE STROMVERSORGUNG AM HAUPTSCHALTER, DIE BEIDE DEM GERÄT VORGESCHALTET SIND. VOR DURCHFÜHRUNG JEDES EINGRIFFS MUSS DIE EVENTUELL VORHANDENE STROMZUFUHR ZUM GERÄT GETRENNT WERDEN. STELLEN SIE NACH DEM ERSATZ EINER KOMPONENTE DES GASKREISES SICHER, DASS AN IHREN ANSCHLUSSSTELLEN AN DEN KREIS KEINE UNDICHTIGKEITEN VORLIEGEN. STELLEN SIE NACH DEM ERSATZ EINER KOMPONENTE DES STROMKREISES IHREN KORREKTEN ANSCHLUSS AN DIE VERKABELUNG SICHER.

GASGRILL

ERSATZ DES GASHAHNS.

- Den Griff abziehen.
- Das Frontteil ausbauen.
- Entfernen und ersetzen Sie die Komponente.
- Sämtliche Teile wieder einbauen. In umgekehrter Reihenfolge wie beim Ausbau vorgehen.

ERSATZ DES BRENNERS, DES ZÜNDBRENNERS UND DER THERMOELEMENTS.

- Ölauffangwanne entfernen.
- Bedienfeld entfernen.
- Entfernen und ersetzen Sie die Komponente.
- Sämtliche Teile wieder einbauen. In umgekehrter Reihenfolge wie beim Ausbau vorgehen.

AUSTAUSCHEN DER HAUPTBRENNER.

- Ölauffangwanne entfernen.
- Den Griff abziehen.
- Das untere Frontteil ausbauen.
- Bedienfeld entfernen.
- Den Spritzschutz, die Grillroste, die Heizelemente, die Heizelementhalterung und den Brennerschutz ausbauen.
- Entfernen und ersetzen Sie die Komponente.
- Sämtliche Teile wieder einbauen. In umgekehrter Reihenfolge wie beim Ausbau vorgehen.

ELEKTROGRILL

ERSATZ DES WAHLSCHALTERS UND DER KONTROLLLAMPE

- Ölauffangwanne entfernen.
- Den Griff abziehen.
- Das untere Frontteil ausbauen.
- Entfernen und ersetzen Sie die Komponente.
- Sämtliche Teile wieder einbauen. In umgekehrter Reihenfolge wie beim Ausbau vorgehen.

AUSWECHSELN DER HEIZELEMENT.

- Ölauffangwanne entfernen.
- Bedienfeld entfernen.
- Den Spritzschutz und den Grillrost abnehmen.

- Das Gehäuse und den Schutz der Kabelenden der Heizelemente durch Lösen der selbstschneidenden Schrauben von der Oberseite der Platte ausbauen.
- Das Teil von oben herausziehen und ersetzen.
- Sämtliche Teile wieder einbauen. In umgekehrter Reihenfolge wie beim Ausbau vorgehen.

ERSATZ DES BETRIEBS.

- Ölauffangwanne entfernen.
- Den Griff abziehen.
- Die untere Bedienblende entfernen.
- Entfernen und ersetzen Sie die Komponente.
- Sämtliche Teile wieder einbauen. In umgekehrter Reihenfolge wie beim Ausbau vorgehen.

GAS-LAVASTEINGRILL

ERSATZ DES GASHAHNS.

- Bedienfeld entfernen.
- Entfernen und ersetzen Sie die Komponente.
- Sämtliche Teile wieder einbauen. In umgekehrter Reihenfolge wie beim Ausbau vorgehen.

ERSATZ DES ZÜNDBRENNERS UND DES THERMOELEMENTS.

- Bedienfeld entfernen.
- Grillroste, Lavasteine und den Lavasteinrost ausbauen.
- Entfernen und ersetzen Sie die Komponente.
- Sämtliche Teile wieder einbauen. In umgekehrter Reihenfolge wie beim Ausbau vorgehen.

AUSTAUSCHEN DER HAUPTBRENNER.

- Bedienfeld entfernen.
- Grillroste, Lavasteine und den Lavasteinrost ausbauen.
- Entfernen und ersetzen Sie die Komponente.
- Sämtliche Teile wieder einbauen. In umgekehrter Reihenfolge wie beim Ausbau vorgehen.

21. REINIGUNG DER INNEREN GERÄTETEILE

Kontrollieren Sie den Zustand der inneren Geräteteile.
Entfernen Sie die Rückstände etwaiger Unreinheiten.
Prüfen und reinigen Sie das Wrasenabzugssystem.

22. HAUPTKOMPONENTEN

GASGRILL

- GASHAHN
- HAUPTBRENNER
- Zündbrenner
- Thermoelement
- Zündkerze
- Piezozünder

ELEKTROGRILL

- Betriebsthermostat
- Heizelement

- Kontrolllampe

GAS-LAVASTEINGRILL

- HAUPTBRENNER
- Zündbrenner
- Thermoelement
- Zündkerze
- Piezozünder
- GASHAHN
- Lavasteinrost
- Lavasteine

NL - INSTALLATIE - GEBRUIK - ONDERHOUD

I. ALGEMENE MEDEDELINGEN



LEES DEZE HANDLEIDING AANDACHTIG DOOR. HET GEEFT BELANGRIJKE INFORMATIE OVER DE VEILIGHEID TIJDENS DE INSTALLATIE, HET GEBRUIK EN HET ONDERHOUD VAN DE APPARATUUR.



DE NIET-NALEVING VAN HET BOVENSTAANDE KAN DE VEILIGHEID VAN DE APPARATUUR BENADELLEN.



DE FABRIKANT AANVAARDT GEEN AANSPRAKELIJKHEID VOOR SCHADE WEGENS DE NIET-NALEVING VAN DE ONDERSTAANDE PLICHTEN.



DE ORIGINELE TAAL WAARIN HET DOCUMENT IS OPGESTELD, IS HET ITALIAANS. IN HET GEVAL VAN ONDUIDELIJKHEDEN OF TWIJFEL KUNT U HET ORIGINEEL BIJ DE FABRIKANT AANVRAGEN.



VOOR DE INSTALLATIE, PLAATSING EN/OF BEVESTIGING EN AANSLUITING OP HET ELEKTRICITEITSNET VAN DE APPARATEN ZIJN BEPAALDE MAATREGELEN VEREIST. ZIE HET DEEL "AANWIJZINGEN VOOR DE INSTALLATIE".



VOOR DE REINIGING VAN DE APPARATEN ZIJN BEPAALDE MAATREGELEN VEREIST. ZIE HET DEEL "AANWIJZINGEN VOOR DE REINIGING". OP DE PANELEN DIE TOEGANG BIEDEN TOT DELEN ONDER SPANNING IS HET SYMBOOL "HOOGSPANNING" AANGEBRACHT.



Deze handleiding op een veilige en bekende plaats bewaren zodat ze gedurende de levensduur van de apparatuur kan worden geraadpleegd.

Deze apparatuur is ontworpen voor de bereiding van voedsel. Ze is bestemd voor een industrieel gebruik. Elk ander gebruik is oneigenlijk.

Deze apparatuur mag niet worden gebruikt door personen (met inbegrip van kinderen) met geringe lichamelijke, sensorische of geestelijke capaciteiten of die geen ervaring en kennis hebben.

Tenzij een verantwoordelijke voor hun veiligheid ze controleert of informeert over het gebruik van de apparatuur.

Laat het apparaat niet onbewaakt achter als kinderen aanwezig zijn en verzeker u ervan dat ze het apparaat niet gebruiken of ermee spelen.

Het personeel dat de apparatuur gebruikt moet worden getraind. Controleer de apparatuur tijdens het gebruik.



HOUD ONTVLAMBARE MATERIALEN BUITEN BEREIK VAN DE APPARATUUR. BRANDGEVAAR.

Installeer de apparatuur uitsluitend in voldoende geventileerde ruimten.

Door onvoldoende ventilatie ontstaat verstikkingsgevaar. Sluit het ventilatiesysteem niet af van de omgeving waarin de apparatuur is geïnstalleerd. Sluit de ventilatieopeningen van deze apparatuur en van andere apparatuur niet af.

Sluit de gaskraan en/of deactiveer de hoofdschakelaar van de elektrische voeding voor de apparatuur in het geval van een storing of defect aan de apparatuur.

De installatie en het ombouwen naar een ander gastype van de apparatuur dienen te worden verricht door gekwalificeerd en door de fabrikant erkend personeel, conform de toepasselijke veiligheidsnormen en de aanwijzingen van deze handleiding.

De onderhoud en het ombouwen naar een ander gastype van de apparatuur dienen te worden verricht door gekwalificeerd en door de fabrikant erkend personeel, conform de toepasselijke veiligheidsnormen en de aanwijzingen van deze handleiding.

Verricht de reiniging volgens de aanwijzingen van de paragraaf "AANWIJZINGEN VOOR DE REINIGING".

1. VERWIJDERING VERPAKKING EN APPARATUUR

VERPAKKING

De verpakking is gemaakt van milieuvriendelijke materialen. De recyclebare plastic componenten zijn:

- het transparante deksel, de zakjes van de handleiding en de verstuivers (van polyethyleen - PE).
- strips (polypropyleen - PP).

APPARATUUR

- Meer dan 90% van het gewicht van de apparatuur bestaat uit recyclebare metalen (roestvrij staal, aluminium plaatstaal, koper....).
- De apparatuur moet conform de toepasselijke normen worden verwijderd.
- Maak haar onbruikbaar alvorens haar te verwijderen.
- Niet in het milieu werpen.



HET SYMBOOL VAN DE DOORGEKRUISTE AFVALBAK OP DE APPARATUUR OF OP DE VERPAKKING GEEFT AAN DAT HET PRODUCT AAN HET EINDE VAN DE NUTTIGE LEVENSDUUR GESCEIDEN MOET WORDEN INGEZAMELD.

DE GESCEIDEN INZAMELING VAN AFGEDANKTE APPARATUUR WORDT DOOR DE FABRIKANT GEORGANISEERD EN BEHEERD.

DE GEBRUIKER DIE DEZE APPARATUUR WIL AFDANKEN, MOET CONTACT OPNEMEN MET DE FABRIKANT EN DIENS SYSTEEM TOEPASSEN ZODAT DE APPARATUUR AAN HET EINDE VAN DE LEVENSDUUR GESCEIDEN KAN WORDEN INGEZAMELD.

EEN CORRECTE GESCEIDEN INZAMELING DRAAGT BIJ AAN HET VOORKOMEN VAN NEGATIEVE UITWERKINGEN OP HET MILIEU EN DE GEZONDHEID. HET BEVORDERT HET HERGEBRUIK EN/OF DE RECYCLING VAN DE MATERIALEN VAN DE APPARATUUR.

DE ILLEGALE VERWIJDERING VAN HET PRODUCT DOOR DE EIGENAAR ZAL VOLGENS DE TOEPASSELIJKE NORMEN WORDEN BESTRAFT.

II. AANWIJZINGEN VOOR DE

INSTALLATIE

2. MEDEDELINGEN VOOR DE INSTALLATEUR



LEES DEZE HANDLEIDING AANDACHTIG DOOR. HET GEEFT BELANGRIJKE INFORMATIE OVER DE VEILIGHEID TIJDENS DE INSTALLATIE, HET GEBRUIK EN HET ONDERHOUD VAN DE APPARATUUR.



DE NIET-NALEEVING VAN HET BOVENSTAANDE KAN DE VEILIGHEID VAN DE APPARATUUR BENADELLEN. DE FABRIKANT AANVAARDT GEEN AANSPRAKELIJKHEID VOOR SCHADE WEGENS DE NIET-NALEEVING VAN DE ONDERSTAANDE Plichten.

Het model van de apparatuur identificeren. Op de verpakking en op het typeplaatje van de apparatuur is het model aangegeven.

Installeer de apparatuur uitsluitend in voldoende geventileerde ruimten.

De installatie en het ombouwen naar een ander gastype van de apparatuur dienen te worden verricht door gekwalificeerd en door de fabrikant erkend personeel, conform de toepasselijke veiligheidsnormen en de aanwijzingen van deze handleiding.

De onderhoud en het ombouwen naar een ander gastype van de apparatuur dienen te worden verricht door gekwalificeerd en door de fabrikant erkend personeel, conform de toepasselijke veiligheidsnormen en de aanwijzingen van deze handleiding.

Sluit de ventilatieopeningen en de afvoeropeningen van de apparatuur niet af.

Maak de componenten van de apparatuur niet onklaar.

3. REFERENTIE NORMEN EN -WETTEN

- Installeer de apparatuur conform de veiligheidsnormen die in het land van kracht zijn.

4. UITPAKKEN

- Controleer de staat van de verpakking. Laat de goederen door de expediteur controleren als duidelijke schade zichtbaar is.
- Verwijder de verpakking.

- Verwijder de beschermfolie van de externe panelen. Verwijder eventuele lijmresten met een geschikt oplosmiddel.

5. PLAATSING

Het installatieschema voorin deze handleiding bevat de buitenafmeting van de apparatuur en de positie van de aansluitingen.

De apparatuur kan apart of samen met andere apparatuur uit hetzelfde assortiment worden geïnstalleerd.

De apparatuur kan niet worden ingebouwd.

Plaats de apparatuur altijd minstens 10 cm bij omringende wanden vandaan.

De wanden, scheidingswanden, keukenkasten, sierelementen enz. waar het apparaat in de buurt wordt geplaatst, moeten van onbrandbare materialen zijn gemaakt.

Als het tegendeel waar is moeten ze worden bekleed met passend onbrandbaar, thermisch isolerend materiaal.

Plaats de apparatuur waterpas met behulp van de stelplaatjes.

MONTAGE VAN DE APPARATUUR OP HET ONDERSTEL EN OP EEN BRUG

Volg de aanwijzingen die met her gebruikte type steun worden geleverd.

ROOKAFVOERSYSTEEM

Leg de rookafvoer aan volgens het " type" apparatuur. Op het typeplaatje is het type apparatuur aangegeven.

APPARATUUR TYPE "A1"

Plaats de apparatuur type " A1 " onder een afzuigkap om het afzuigen van de rook en de dampen te waarborgen.

APPARATUUR TYPE "B21"

Plaats de apparatuur type "B21" onder een afzuigkap.

APPARATUUR TYPE "B11"

Monteer de geschikte schoorsteen op de apparatuur type " B11 ". Vraag dit aan bij de fabrikant van de apparatuur. Volg de montageaanwijzingen die samen met de schoorsteen worden geleverd.

Sluit een buis, bestendig tegen een temperatuur van 300°C, met een diameter van 150/155 mm aan op de schoorsteen.

Voer hem naar buiten of naar een schoorsteen waarvan de efficiëntie is vastgesteld. De buis mag niet langer zijn dan 3 meter.

6. AANSLUITINGEN

Het installatieschema achterin deze handleiding bevat de positie en de afmeting van de aansluitingen.

AANSLUITING OP GASLEIDING

- Verifieer of de apparatuur kan functioneren met het gastype waarvan het wordt voorzien. Controleer de gegevens van de etiketten op de verpakking en de apparatuur.
- Pas de apparatuur aan het gebruikte gastype aan. Volg de aanwijzingen van de volgende paragraaf "Aanpassing op een ander gastype".
- Op apparatuur top is tevens een aansluiting achter verkrijgbaar. Draai de dop los en draai hem op de aansluiting voor vast.
- Installeer op een goed bereikbare plaats voor de apparatuur een kraan met een snelsluiser.
- Gebruik geen leidingen met een diameter die kleiner is dan de diameter van de gasaansluiting van de apparatuur.
- Verifieer na de aansluiting of de aansluitpunten niet lekken.

AANSLUITING OP ELEKTRICITEITSNET

Verifieer of de apparatuur kan functioneren met de spanning en de frequentie van de voeding. Controleer de gegevens van het typeplaatje van de apparatuur en het plaatje dat in de buurt van het klemmenbord is aangebracht.

Installeer op een goed bereikbare plaats voor de apparatuur een omnipolaire afscheider met een opening tussen de contacten die een volledige afkoppeling volgens de voorwaarden van de overspanningscategorie III mogelijk maakt.

Gebruik een flexibele voedingskabel met rubberen isolatie en eigenschappen die op zijn minst gelijk zijn aan het type H05 RN-F.

Sluit de voedingskabel aan op het klemmenbord volgens de aanwijzingen van het schakelschema dat samen met de apparatuur is geleverd.

Zet de voedingskabel vast met de wartel.



Bescherm de voedingskabel buiten de apparatuur met een metalen of stugge plastic buis.

Laat de beschadigde voedingskabel door de fabrikant, diens servicecentrum of door een soortgelijk gekwalificeerd personeel vervangen om risico's te vermijden.



OP DE PANELEN DIE TOEGANG BIEDEN TOT DELEN ONDER SPANNING IS HET SYMBOOL "HOOGSPANNING" AANGEBRACHT.

AANSLUITING OP DE AARDE EN OP EQUIPOTENTIAL PUNT

- Sluit de elektrisch gevoede apparatuur aan op een functionerende aarding. Sluit de aardgeleider aan op de aansluitklem met het symbool  dat is aangegeven naast de aansluitklem voor de inkomende lijn.
- Sluit de metalen structuur van de elektrisch gevoede apparatuur aan op een equipotentiaal punt. Sluit de geleider aan op de aansluitklem met het symbool  dat aan de buitenkant van de bodem is aangegeven.

AANSLUITING OP WATERNET

- Voorzie de apparatuur van drinkwater. De toevoerdruk van het water moet 150 - 300 kPa bedragen. Gebruik een drukreductor als de toevoerdruk hoger is dan de gegeven maximale druk.
- Installeer op een goed bereikbare plaats voor de apparatuur een mechanisch filter en een kraan.
- Verwijder eventueel ijzerhoudend afval uit de leidingen alvorens het filter en de apparatuur aan te sluiten.
- De niet-aangesloten aansluitingen met een waterdichte dop afsluiten.
- Verifieer na de aansluiting of de aansluitpunten niet lekken.

AANSLUITING OP WATERAFVOER

De afvoerleidingen moeten gemaakt zijn van hittebestendig materiaal tot 100°C. De bodem van de apparatuur mag niet worden geraakt door de stoom die afkomstig is van de warm waterafvoer.

Breng een put met rooster aan in de vloer en een sifon onder de afvoerkraan van de pannen en voor de braadpannen.



7. AANPASSING OP EEN ANDER GASTYPE

Tabel TAB1 geeft:

de gastypen die ze voor de functionering van de apparatuur kunnen gebruiken.

de verstuivers en de regelingen voor de verschillende bruikbare gastypen.

Het nummer van de verstuivers gegeven in tabel Tab1 is op de verstuiver aangebracht.

Volg de aanwijzingen van de tabel TAB1 en verricht de onderstaande aanwijzingen om de apparatuur aan het gewenste gastype aan te passen:

Vervang de verstuiver van de hoofdbrander (UM).

Plaats de beluchter van de hoofdbrander op afstand A.

Vervang de verstuiver van de waakvlam (UP).

Regel de lucht van de waakvlam (wanneer nodig).

Vervang de minimum verstuiver van de gaskraan (Um).

Breng de sticker met het nieuwe gastype aan op de apparatuur.

De verstuivers en de stickers worden samen met de apparatuur geleverd.

VERVANGING VAN DE VERSTUIVER VAN DE HOOFDBRANDER EN DE REGELING VAN DE PRIMAIRE LUCHT

Demonteer het bedieningspaneel.

Demonteer de verstuiver UM en vervang hem door de verstuiver beschreven in tabel TAB1.

Draai de verstuiver UM helemaal aan.

Draai de schroef V los en plaats de beluchter op de afstand A gegeven in de tabel TAB1.

Draai de schroef V helemaal aan.

Hermonteer alle delen. Verricht de demontageprocedure in omgekeerde volgorde.

VERVANGING VAN DE SCHROEF MINIMALE STAND

Demonteer het bedieningspaneel.

Demonteer de verstuiver UM en vervang hem door de verstuiver beschreven in tabel TAB1.

Draai de verstuiver UM helemaal aan.

Hermonteer alle delen. Verricht de demontageprocedure in omgekeerde volgorde.

VERVANGING VAN DE VERSTUIVER VAN DE WAAKVLAMBRANDER

Demonteer het bedieningspaneel.

Draai de verbinding R los.

Demonteer de verstuiver UP en vervang hem door de verstuiver beschreven in tabel TAB1.

Draai de aansluiting R helemaal aan. Hermonteer alle onderdelen.

Verricht de demontageprocedure in omgekeerde volgorde.

8. INBEDRIJFSTELLING

Verifieer de functionering van de apparatuur na de installatie, de aanpassing op een ander gastype of onderhoud. Raadpleeg in het geval van storingen de volgende paragraaf "Storingen oplossen".

GASAPPARATUUR

Stel de apparatuur in werking volgens de gebruiksaanwijzingen en waarschuwingen beschreven in het hoofdstuk "GEBRUIKSAANWIJZINGEN" en verifieer:

de gastoevoerdruk (zie de volgende paragraaf).

de normale ontsteking van de branders en de doeltreffendheid van de rookafvoerinstallatie.

VERIFICATIE VAN DE GAS TOEVOERDRUK

Gebruik een drukregelaar met een resolutie van minstens 0,1 mbar.

Demonteer het bedieningspaneel.

Verwijder de schroef van de drukaansluiting PP en sluit de drukmeter aan.

Verricht de meting bij werkende apparatuur.



OPGELET! ALS DE GAS TOEVOERDRUK NIET BINNEN DE LIMIEWAARDEN (MIN. - MAX.) BESCHREVEN IN DE TABEL TAB2 LIGT, ONDERBREEK DE FUNCTIONERING VAN DE APPARATUUR EN NEEM CONTACT OP MET HET GASBEDRIJF.

Koppel de drukmeter af en draai de schroef op de drukaansluiting helemaal aan.

ELEKTRISCHE APPARATUUR

Stel de apparatuur in werking volgens de gebruiksaanwijzingen en waarschuwingen beschreven in het hoofdstuk "GEBRUIKSAANWIJZINGEN" en verifieer:

de stroomwaarden van elke fase.

de normale ontsteking van de verwarmingsweerstand.

III. GEBRUIKSAANWIJZINGEN

9. MEDEDELINGEN VOOR DE GEBRUIKER



LEES DEZE HANDLEIDING AANDACHTIG DOOR. HET GEEFT BELANGRIJKE INFORMATIE OVER DE VEILIGHEID TIJDENS DE INSTALLATIE, HET GEBRUIK EN HET ONDERHOUD VAN DE APPARATUUR.



DE FABRIKANT AANVAARDT GEEN AANSPRAKELIJKHEID VOOR SCHADE WEGENS DE NIET-NALEEVING VAN DE ONDERSTAANDE PLICHTEN.

Wend u voor assistentie uitsluitend tot erkende servicecentra en vraag om originele reserveonderdelen.

Onderhoud de apparatuur minstens twee keer per jaar. Het wordt aanbevolen een onderhoudscontract af te sluiten.

De apparatuur is bestemd voor professioneel gebruik en moet door getraind personeel worden gebruikt.

Gebruik de apparatuur voor de bereiding van voedsel zoals is beschreven in de gebruiksaanwijzingen. Elk ander gebruik is oneigenlijk.

Laat de apparatuur nooit lange tijd leeg functioneren. Warm het apparaat voor het gebruik op.

Controleer de apparatuur tijdens de werking.

Sluit de gaskraan en/of deactiveer de hoofdschakelaar van de elektrische voeding voor de apparatuur in het geval van een storing of defect aan de apparatuur.

Verricht de reiniging volgens de aanwijzingen van de paragraaf "AANWIJZINGEN VOOR DE REINIGING".



HOUD ONTVLAMBARE MATERIALEN BUITEN BEREIK VAN DE APPARATUUR. BRANDGEVAAR.

Sluit de ventilatieopeningen en de afvoeropeningen van de apparatuur niet af.

Maak de componenten van de apparatuur niet onklaar.

Deze handleiding op een veilige en bekende plaats bewaren zodat ze gedurende de levensduur van de apparatuur kan worden geraadpleegd.

De installatie en het onderhoud van de apparatuur dienen te worden verricht door gekwalificeerd en door de fabrikant erkend personeel, conform de

toepasselijke veiligheidsnormen en de aanwijzingen van deze handleiding.

De onderhoud en het ombouwen naar een ander gastype van de apparatuur dienen te worden verricht door gekwalificeerd en door de fabrikant erkend personeel, conform de toepasselijke veiligheidsnormen en de aanwijzingen van deze handleiding.

10. PLAATSING VAN HET GIETIJZEREN ROOSTER

De beide zijden van het rooster kan worden gebruikt: schuin voor vlees en horizontaal voor vis en groenten.

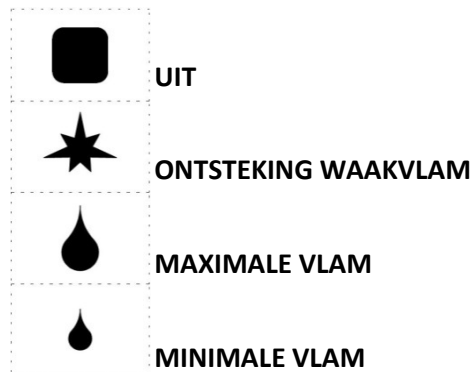
11. GEBRUIK VAN DE GRILL GAS

De apparatuur is bestemd voor het bereiden van voedsel op de meegeleverde roosters.

Het rooster mag niet worden gebruikt voor het opwarmen van pannen.

ONTSTEKING EN UITDOVING BRANDERS

De knop van de gaskraan heeft de volgende standen:



ONTSTEKING WAAKVLAM

- Druk de knop in en draai hem op de stand "ontsteking waakvlam".
- Druk de knop helemaal in en ontsteek de waakvlam door op de knop van de piëzo-elektrische ontsteker te drukken.
- Houd de knop ongeveer 20 seconden ingedrukt en laat hem vervolgens los. Herhaal de handeling als de waakvlam uit gaat.

ONTSTEKING HOOFDBRANDER

- Ontsteek de hoofdbrander door de knop van "ontsteking waakvlam" te draaien op "maximale vlam".
Draai, afhankelijk van de bereiding, de knop op een willekeurige stand tussen "maximale vlam" en "minimale vlam".

UITSCHAKELING

- Schakel de hoofdbrander uit door de knop "ontsteking waakvlam" te draaien.
- Schakel de waakvlam uit door de knop in te drukken en op "uit" te draaien.

GEBRUIK VAN DE OPVANGBAK

- Het wordt aanbevolen de vetopvangbakken te vullen met 2-3 cm water, om de reiniging te bevorderen en een betere bereiding te waarborgen.

VETOPVANGBAK

Het vet dat tijdens de bereiding van het rooster valt en door de vuurpot druipt, wordt opgevangen in de specifieke opvangbak. Maak de opvangbak regelmatig leeg en schoon.

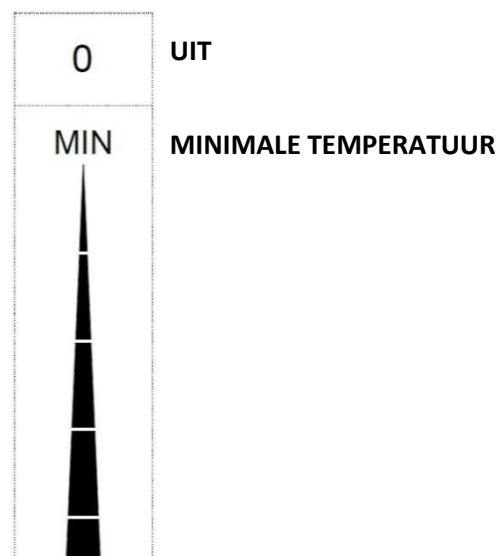
12. GEBRUIK VAN DE GRILL ELEKTRISCH

De apparatuur is bestemd voor het bereiden van voedsel op de meegeleverde roosters.

Het rooster mag niet worden gebruikt voor het opwarmen van pannen.

IN- EN UITSCHAKELING VERWARMING

De knop van de thermostaat heeft de volgende standen:



TUSSENTEMPERATUREN

MAXIMALE TEMPERATUUR

ONTSTEKING

- Draai de knop van de thermostaat behorende bij de stand van de gekozen bereidingstemperatuur.
- Het gele lampje gaat branden.
- Het gele lampje gaat uit om aan te geven dat de gekozen temperatuur is bereikt.

UITSCHAKELING

Draai de knop van de thermostaat op "0".
Het gele lampje gaat uit.

GEBRUIK VAN DE OPVANGBAK

Het wordt aanbevolen de vetopvangbakken te vullen met 2-3 cm water, om de reiniging te bevorderen en een betere bereiding te waarborgen.

VETOPVANGBAK

Het vet dat tijdens de bereiding van het rooster valt en door de vuurpot druipt, wordt opgevangen in de specifieke opvangbak. Maak de opvangbak regelmatig leeg en schoon.

13. GEBRUIK VAN DE GRILL LAVASTEEN GAS

De apparatuur is bestemd voor het bereiden van voedsel op de meegeleverde roosters.

Het rooster mag niet worden gebruikt voor het opwarmen van pannen.

LAVA TOEVOEGEN

De apparatuur is voorzien van 2 verpakkingen met lavasteen voor elke vuurpot (bereidingszone).

Elke verpakking weegt 4 kg.

De stukken lava hebben een minimale diameter van 25mm, een maximale diameter van 30 mm en een maximale lengte van 50mm met een tolerantie +/- 5%.

Verdeel de inhoud van een verpakking gelijkmatig over elke vuurpot. Vul in geen enkel geval meer dan is voorgeschreven.

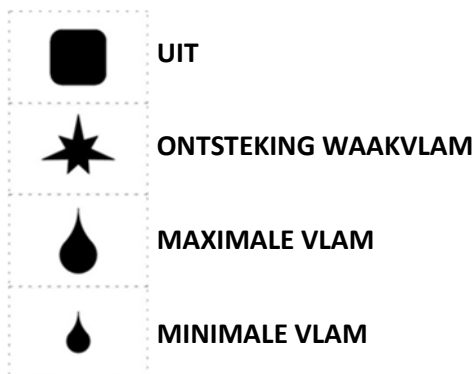
Gebruik de tweede verpakking uitsluitend om het geleidelijke verbruik van de lava aan te vullen.

VETOPVANGBAK

Het vet dat tijdens de bereiding van het rooster valt en door de vuurpot druipt, wordt opgevangen in de specifieke opvangbak. Maak de opvangbak regelmatig leeg en schoon.

ONTSTEKING EN UITDOIVING BRANDERS

De knop van de gaskraan heeft de volgende standen:



ONTSTEKING WAAKVLAM

- Druk de knop in en draai hem op de stand "ontsteking waakvlam".
- Druk de knop helemaal in en ontsteek de waakvlam door op de knop van de piëzo-elektrische ontsteker te drukken.
- Houd de knop ongeveer 20 seconden ingedrukt en laat hem vervolgens los. Herhaal de handeling als de waakvlam uit gaat.

ONTSTEKING HOOFDBRANDER

- Ontsteek de hoofdbrander door de knop van "ontsteking waakvlam" te draaien op "maximale vlam".
- Draai, afhankelijk van de bereiding, de knop op een willekeurige stand tussen "maximale vlam" en "

minimale vlam ".

UITSCHAKELING

- Schakel de hoofdbrander uit door de knop "ontsteking waakvlam" te draaien.
- Schakel de waakvlam uit door de knop in te drukken en op "uit" te draaien.

14. INUTILITEITSPERIODE

Verricht de volgende procedure voor een voorziene, lange inactiviteit van de apparatuur:

- Maak de apparatuur nauwgezet schoon.
- Een lap bevochtigd met vaselineolie over de roestvrijstalen oppervlakken halen zodat ze door een beschermend laagje worden bedekt.
- Sluit de kranen of hoofdschakelaars voor de apparatuur.

Verricht de volgende procedure na een lange inactiviteit van de apparatuur:

- Controleer de apparatuur alvorens ze opnieuw te gebruiken.
- Laat de elektrische apparatuur minstens 60 minuten lang op minimale temperatuur werken.

IV. AANWIJZINGEN VOOR DE REINIGING

15. MEDEDELINGEN VOOR DE REINIGING



LEES DEZE HANDLEIDING AANDACHTIG DOOR. HET GEEFT BELANGRIJKE INFORMATIE OVER DE VEILIGHEID TIJDENS DE INSTALLATIE, HET GEBRUIK EN HET ONDERHOUD VAN DE APPARATUUR.



DE FABRIKANT AANVAARDT GEEN AANSPRAKELIJKHEID VOOR SCHADE WEGENS DE NIET-NALEIVING VAN DE ONDERSTAANDE PLICHTEN.



HAAL DE ELEKTRISCHE VOEDING VAN DE APPARATUUR LOS, INDIEN AANWEZIG, ALVORENS EEN HANDELING TE VERRICHTEN.

- Reinig dagelijks de externe, gesatineerde oppervlakken van roestvrij staal, het oppervlak van de reservoirs en het oppervlak van de platen.
- Laat de interne onderdelen van de apparatuur minstens twee keer per jaar door een erkend technicus reinigen.
- Maak de vloer onder de apparatuur niet schoon met bijtende producten.
- Reinig de apparatuur niet met directe waterstralen of hogedrukreinigers.

GESATINEERDE ROESTVRIJSTALEN OPPERVLAKKEN

- Maak de oppervlakken schoon met een doek of een lap bevochtigd met water en normale, niet-schurende reinigingsmiddelen. Wrijf met de doek in de richting van de satineringsrichting. Spoel regelmatig af en maak vervolgens zorgvuldig droog.
- Gebruik geen metalen schuursponsjes of andere ijzernen voorwerpen.
- Gebruik geen chemische producten die chloor bevatten.
- Gebruik geen scherpe voorwerpen die krassen in de oppervlakken kunnen achterlaten.

OPVANGBAKKEN

- Verwijder vet, olie en voedingsresten van de oppervlakken.

GRILL GAS

Reiniging brander en rooster vuurhaard



OPGELET: VERZEKER U ERVAN DAT DE ROOSTERS ZIJN AFGEKOELD ALVORENS DE REINIGING TE VERRICHTEN.

- Verwijder het bereidingsrooster en de spatplaat door ze op te tillen.
- Demonteer de afschermingen.
- Reinig de brander in de zone van de vlam en langs de sleuven van de vlamwering. Verwijder stof en afzettingen en let er daarbij op dat geen water terechtkomt in de openingen waar de vlam door naar buiten komt.
- Maak de ribben van de verbrandingskamer die de sausen naar de opvangbak sturen schoon met een schraper en haal er vervolgens een vochtige doek over.
- Zorg ervoor dat de ontstekingsgroep geen schade

oploopt.

- Hermonteer de afdekking. Zorg ervoor dat deze correct is aangebracht.

STEENGRILL GAS



OPGELET: VERZEKER U ERVAN DAT DE ROOSTERS ZIJN AFGEKOELD ALVORENS DE REINIGING TE VERRICHTEN.

- Verwijder het bereidingsrooster en de vuurpot met lavasteen.
- Reinig de brander in de zone van de vlam en langs de sleuven van de vlamwering. Verwijder stof en afzettingen en let er daarbij op dat geen water terecht komt in de openingen waar de vlam door naar buiten komt.

GRILL ELEKTRISCH



OPGELET: VERZEKER U ERVAN DAT DE WEERSTANDEN ZIJN AFGEKOELD ALVORENS DE REINIGING TE VERRICHTEN.

- Haal de elektrische voeding los.
- Verwijder het bereidingsrooster en de spatplaat.
- Maak de binnenkant van het rooster schoon met een schraper.



OPGELET: MAAK DE WEERSTANDEN NIET SCHOON EN GEBRUIK GEEN WATER IN DE GRILL AANGEZIEN ELEKTRISCHE COMPONENTEN AANWEZIG ZIJN.

v. ONDERHOUDSAANWIJZINGEN

16. MEDEDELINGEN VOOR HET ONDERHOUDSPERSONEEL



DE FABRIKANT AANVAARDT GEEN AANSPRAKELIJKHEID VOOR SCHADE WEGENS DE NIET-NALEIVING VAN DE ONDERSTAANDE PLICHTEN.

Het model van de apparatuur identificeren. Op de verpakking en op het typeplaatje van de apparatuur is het model aangegeven.

Installeer de apparatuur uitsluitend in voldoende geventileerde ruimten.

Sluit de ventilatieopeningen en de afvoeropeningen van de apparatuur niet af.

Maak de componenten van de apparatuur niet onklaar.

De onderhoud en het ombouwen naar een ander gastype van de apparatuur dienen te worden verricht door gekwalificeerd en door de fabrikant erkend personeel, conform de toepasselijke veiligheidsnormen en de aanwijzingen van deze handleiding.

17. AANPASSING OP EEN ANDER GASTYPE

Zie het hoofdstuk " Installatieaanwijzingen ".

18. INBEDRIJFSTELLING

Zie het hoofdstuk " Installatieaanwijzingen ".

19. STORINGEN OPLOSSEN

GRILL GAS

DE WAAKVLAMBRANDER GAAT NIET AAN.

Mogelijke oorzaken:

- De gastoevoerdruk is te laag.
- De leiding of de verstuiver is verstopt.
- De gaskraan of het gasventiel is kapot.
- De ontstekingsbougie is verkeerd aangesloten of is defect.
- De ontsteker of de bougiekabel is defect.

DE WAAKVLAMBRANDER BLIJFT NIET BRANDEN OF GAAT UIT TIJDENS HET GEBRUIK.

Mogelijke oorzaken:

- De gastoevoerdruk is te laag.
- De gaskraan of het gasventiel is kapot.
- Het thermokoppel is defect of wordt onvoldoende opgewarmd.
- Het thermokoppel is verkeerd op de kraan of het gasventiel aangesloten.
- De knop van de gaskraan of het gasventiel wordt niet voldoende ingedrukt.

DE HOOFDBRANDER GAAT NIET AAN (OOK AL BRANDT DE WAAKVLAM).

Mogelijke oorzaken:

- De brander is defect (gas uitvoeropeningen verstopt).

GRILL ELEKTRISCH

DE APPARATUUR WARMT NIET OP.

Mogelijke oorzaken:

- De thermostaat voor de regeling van de temperatuur is defect.
- De weerstanden zijn defect.

DE VERWARMING KAN NIET WORDEN GEREGLD.

Mogelijke oorzaken:

- De thermostaat voor de regeling van de temperatuur is defect.

STEENGRILL GAS

DE WAAKVLAMBRANDER GAAT NIET AAN.

Mogelijke oorzaken:

- De gastoevoerdruk is te laag.
- De leiding of de verstuiver is verstopt.
- De gaskraan of het gasventiel is kapot.
- De ontstekingsbougie is verkeerd aangesloten of is defect.
- De ontstekker of de bougiekabel is defect.

DE WAAKVLAMBRANDER BLIJFT NIET BRANDEN OF GAAT UIT TIJDENS HET GEBRUIK.

Mogelijke oorzaken:

- De gastoevoerdruk is te laag.
- De gaskraan of het gasventiel is kapot.
- Het thermokoppel is defect of wordt onvoldoende opgewarmd.
- Het thermokoppel is verkeerd op de kraan of het gasventiel aangesloten.
- De knop van de gaskraan of het gasventiel wordt niet voldoende ingedrukt.

DE HOOFDBRANDER GAAT NIET AAN (OOK AL BRANDT DE WAAKVLAM).

Mogelijke oorzaken:

- De brander is defect (gas uitvoeropeningen verstopt).

20. VERVANGING VAN DE COMPONENTEN

MEDEDELINGEN VOOR DE VERVANGING VAN COMPONENTEN



SLUIT DE GASKRAAN EN/OF DEACTIVEER DE HOOFDSCHAKELAAR VAN DE ELEKTRISCHE VOEDING VOOR HET APPARAAT AF.



HAAL DE ELEKTRISCHE VOEDING VAN DE APPARATUUR LOS, INDIEN AANWEZIG, ALVORENS EEN HANDELING TE VERRICHTEN.



VERIFIEER NA DE VERVANGING VAN EEN ELEMENT VAN HET GASCIRCUIT OF DE AANSLUITPUNTEN OP HET CIRCUIT NIET LEKKEN.



VERIFIEER NA DE VERVANGING VAN EEN COMPONENT VAN HET ELEKTRISCHE CIRCUIT OF HET CORRECT OP DE BEDRADING IS AANGESLOTEN.

GRILL GAS

VERVANGING VAN DE GASKRAAN.

- Verwijder de knop.
- Demonteer de voorkant.
- Demonteer en vervang het component.
- Hermonteer alle delen. Verricht de demontageprocedure in omgekeerde volgorde.

VERVANGING VAN DE BRANDER, DE WAAKVLAMBRANDER, HET THERMOKOPPEL.

- verwijder de opvangbak.
- Demonteer het bedieningspaneel.
- Demonteer en vervang het component.
- Hermonteer alle delen. Verricht de demontageprocedure in omgekeerde volgorde.

VERVANGING VAN DE HOOFDBRANDER.

- verwijder de opvangbak.
- Verwijder de knop.
- Demonteer de voorkant onderaan.
- Demonteer het bedieningspaneel.
- Demonteer de spatplaat, de afschermingen, de steun van de afschermingen aan de voorkant en de bescherming van de branders.

- Demonteer en vervang het component.
- Hermonteer alle delen. Verricht de demontageprocedure in omgekeerde volgorde.

GRILL ELEKTRISCH

VERVANGING VAN DE KEUZESCHAKELAAR EN HET LAMPJE.

- verwijder de opvangbak.
- Verwijder de knop.
- Demonteer de voorkant onderaan.
- Demonteer en vervang het component.
- Hermonteer alle delen. Verricht de demontageprocedure in omgekeerde volgorde.

VERVANGING VAN DE WEERSTANDEN.

- verwijder de opvangbak.
- Demonteer het bedieningspaneel.
- Verwijder de spatplaat en het rooster.
- Demonteer de aansluitdoos en de bescherming van de weerstanden door de zelfborgende schroeven aan de bovenkant van het blad los te draaien.
- Vervang het component door het van bovenuit te verwijderen.
- Hermonteer alle delen. Verricht de demontageprocedure in omgekeerde volgorde.

VERVANGING VAN DE BEDRIJFSTHERMOSTAAT.

- verwijder de opvangbak.
- Verwijder de knop.
- Verwijder het onderste paneel van het instrumentenpaneel.
- Demonteer en vervang het component.
- Hermonteer alle delen. Verricht de demontageprocedure in omgekeerde volgorde.

STEENGRILL GAS

VERVANGING VAN DE GASKRAAN.

- Demonteer het bedieningspaneel.
- Demonteer en vervang het component.
- Hermonteer alle delen. Verricht de demontageprocedure in omgekeerde volgorde.

VERVANGING VAN DE WAAKVLAMBRANDER EN HET THERMOKOPPEL.

- Demonteer het bedieningspaneel.
- Demonteer de roosters, de lavastenen en de

ondersteunende vuurpotten.

- Demonteer en vervang het component.
- Hermonteer alle delen. Verricht de demontageprocedure in omgekeerde volgorde.

VERVANGING VAN DE HOOFDBRANDER.

- Demonteer het bedieningspaneel.
- Demonteer de roosters, de lavastenen en de ondersteunende vuurpotten.
- Demonteer en vervang het component.
- Hermonteer alle delen. Verricht de demontageprocedure in omgekeerde volgorde.

21. REINIGING VAN DE INTERNE ONDERDELEN

Controleer de staat van de inwendige onderdelen van de apparatuur.

Verwijder eventueel vuil.

Controleer en reinig het rookafvoersysteem.

22. HOOFDCOMPONENTEN

GRILL GAS

- GASKRAAN
- HOOFDBRANDER
- Waakvlambrander
- Thermokoppel
- Ontstekingsbougie
- Piëzo-elektrische ontsteker

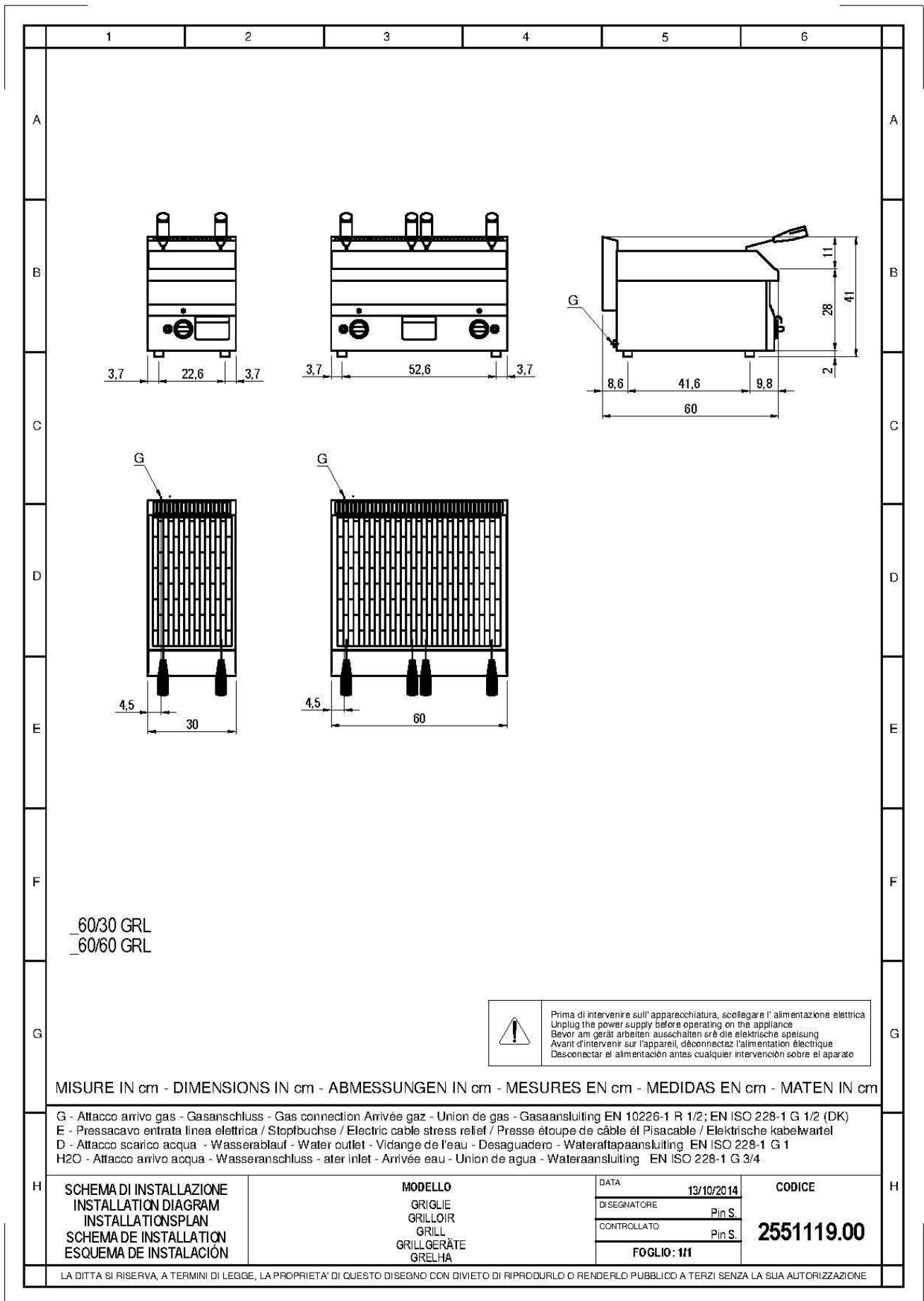
GRILL ELEKTRISCH

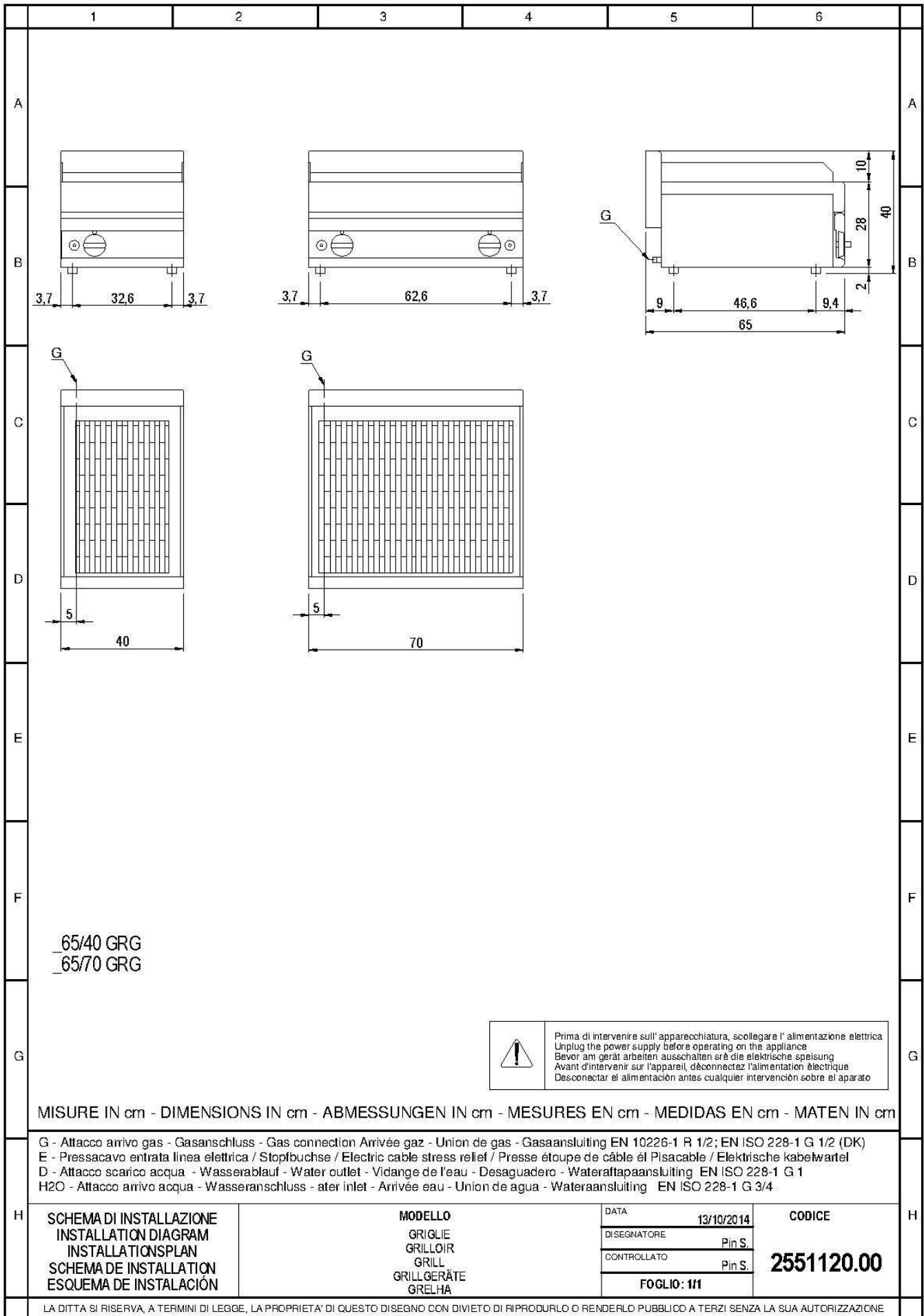
- Bedrijfstermostaat
- Weerstand
- Lampje

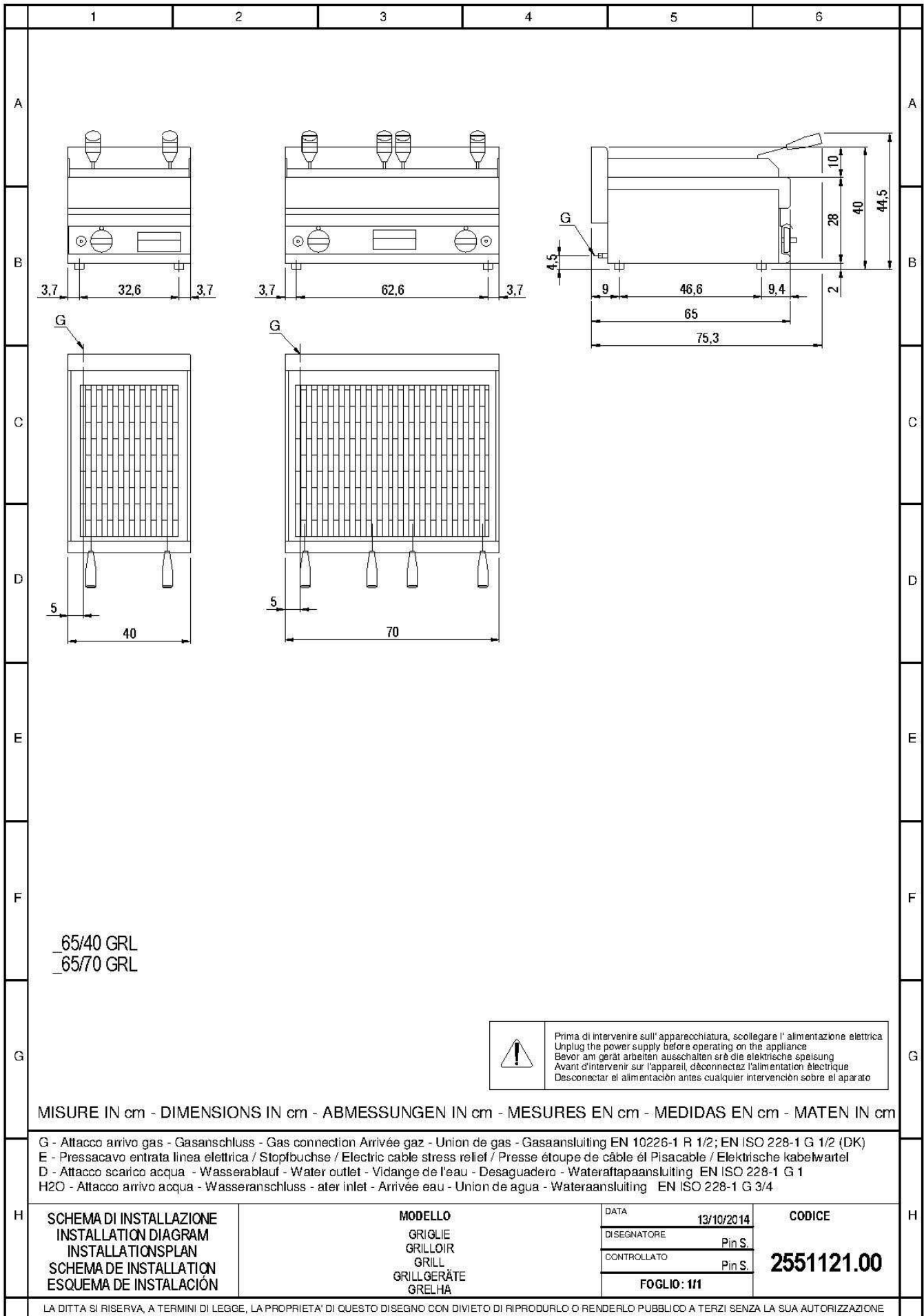
STEENGRILL GAS

- HOOFDBRANDER
- Waakvlambrander
- Thermokoppel
- Ontstekingsbougie
- Piëzo-elektrische ontsteker
- GASKRAAN
- Vuurpot
- Lavasteen

VI. SCHEMI DI INSTALLAZIONE – INSTALLATIONS PLAN - INSTALLATION DIAGRAM – SCHEMA D’INSTALLATION – ESQUEMA DE INSTALACION - INSTALLATIESCHEMA'S







65/40 GRL
65/70 GRL

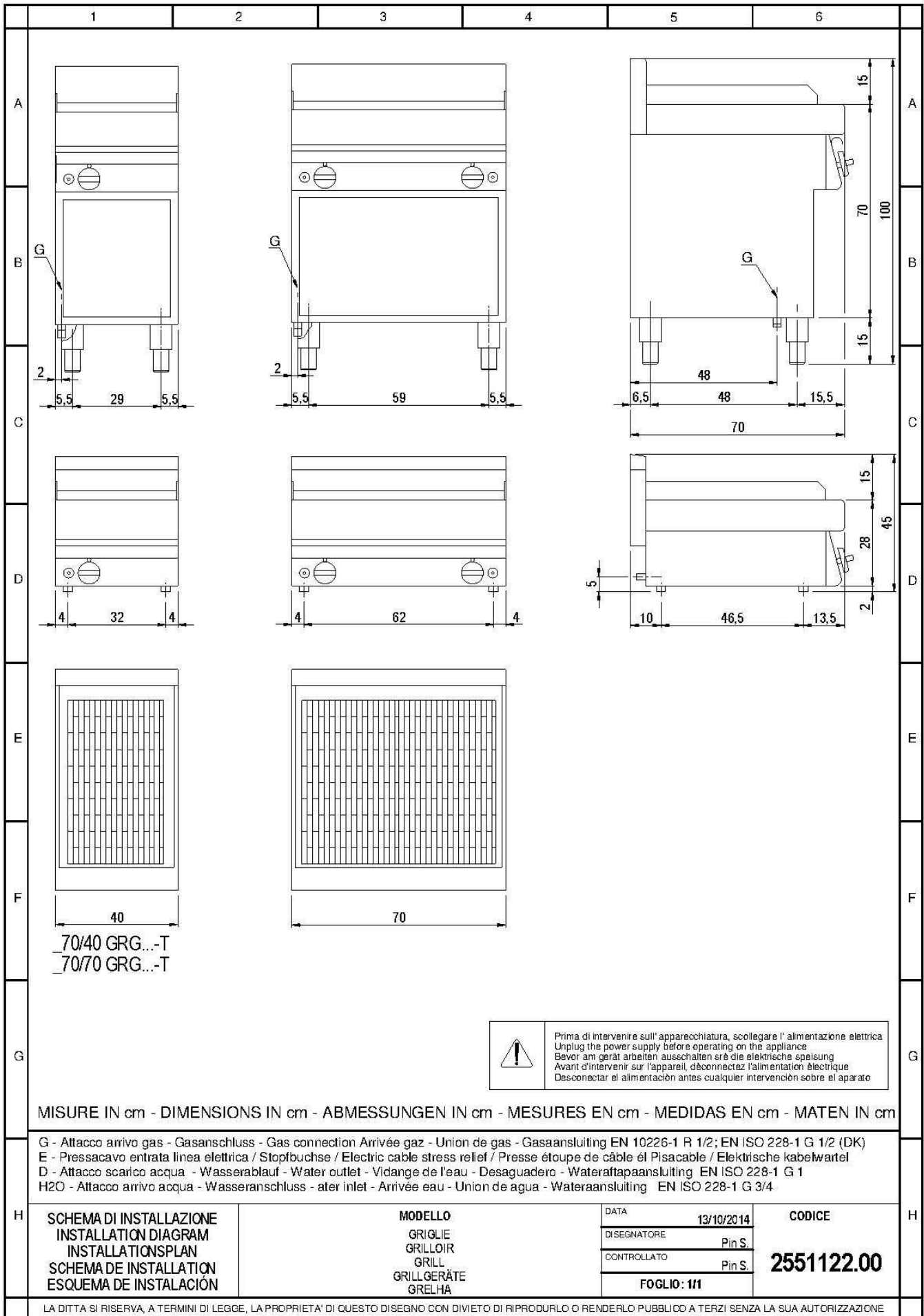
Prima di intervenire sull'apparecchiatura, scollegare l'alimentazione elettrica
Unplug the power supply before operating on the appliance
Bevor am gerät arbeiten ausschalten si è die elektrische speisung
Avant d'intervenir sur l'appareil, déconnectez l'alimentation électrique
Desconectar el alimentación antes cualquier intervencion sobre el aparato

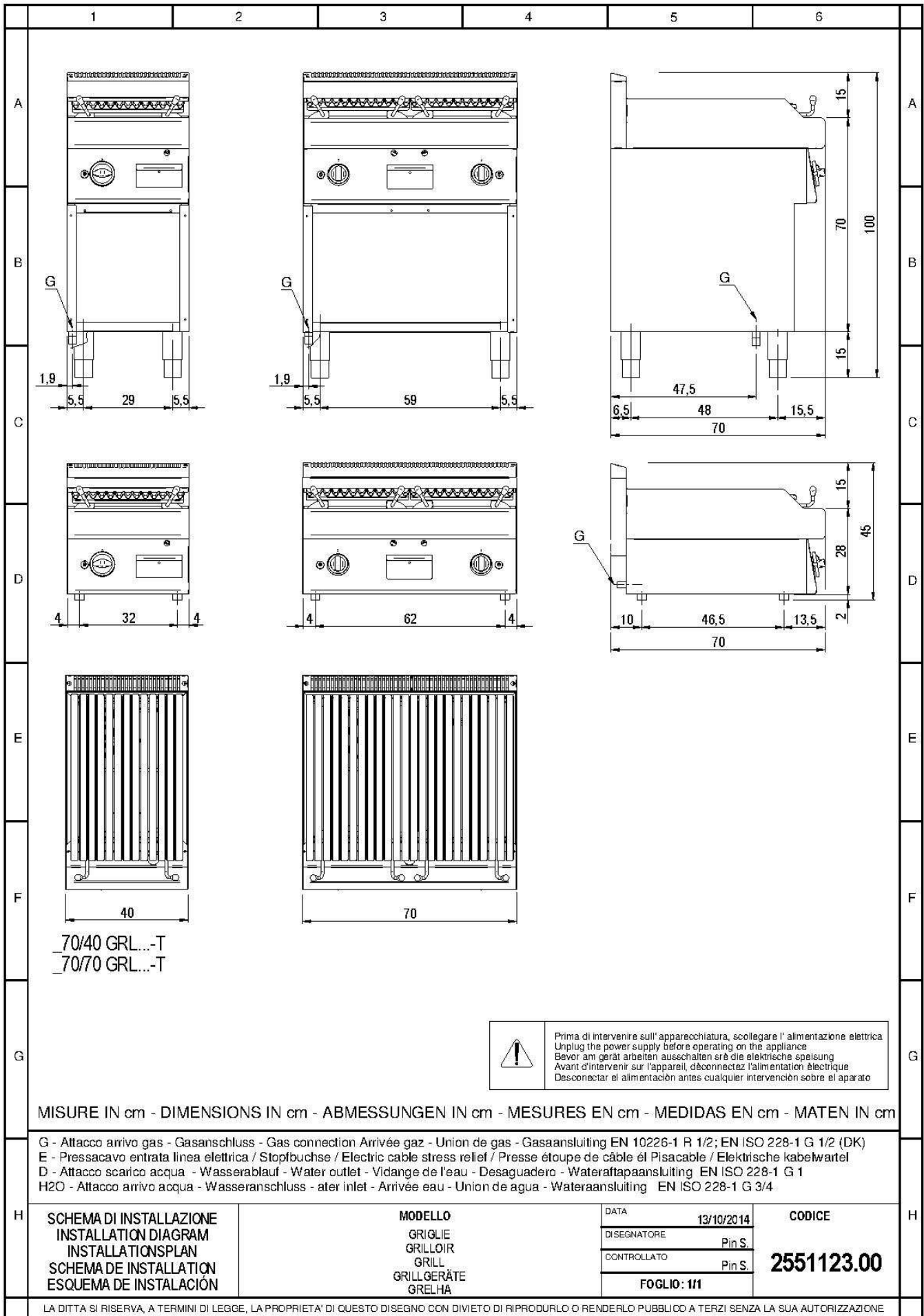
MISURE IN cm - DIMENSIONS IN cm - ABMESSUNGEN IN cm - MESURES EN cm - MEDIDAS EN cm - MATEN IN cm

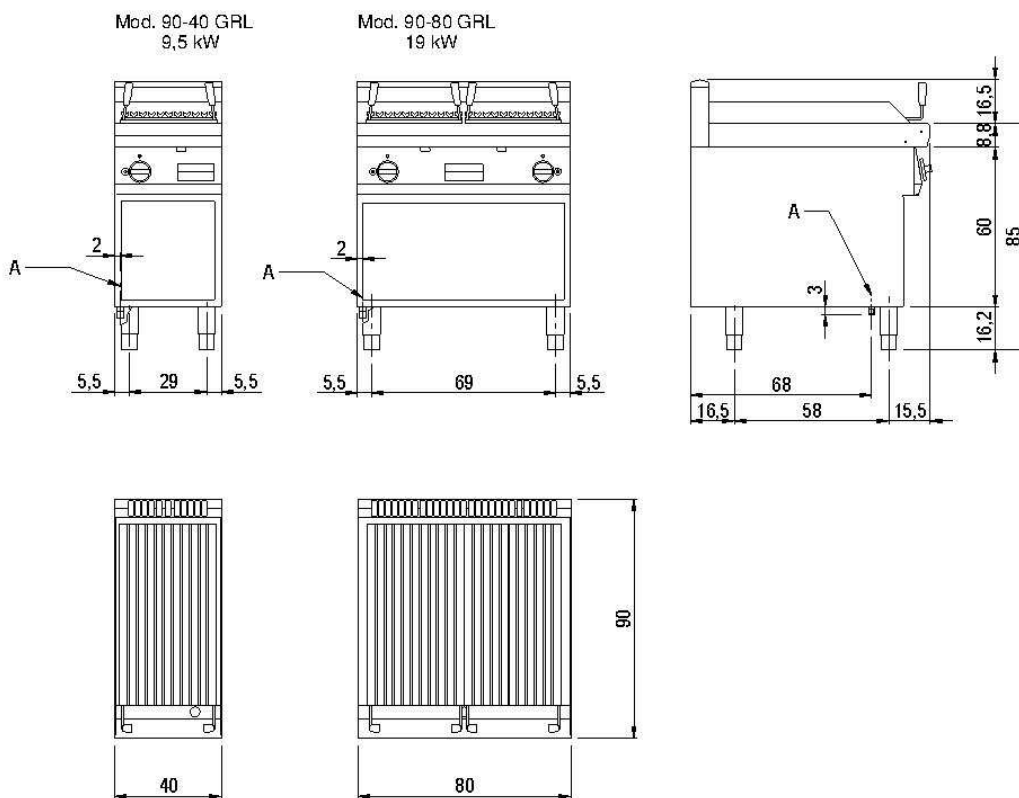
G - Attacco arrivo gas - Gasanschluss - Gas connection Arrivée gaz - Union de gas - Gasaansluiting EN 10226-1 R 1/2; EN ISO 228-1 G 1/2 (DK)
E - Pressacavo entrata linea elettrica / Stopfbuchse / Electric cable stress relief / Presse étoupe de câble él Pisacable / Elektrische kabelwartel
D - Attacco scarico acqua - Wasserablauf - Water outlet - Vidange de l'eau - Desaguadero - Wateraftapaansluiting EN ISO 228-1 G 1
H2O - Attacco arrivo acqua - Wasseranschluss - ater inlet - Arrivée eau - Union de agua - Wateraansluiting EN ISO 228-1 G 3/4

H	SCHEMA DI INSTALLAZIONE INSTALLATION DIAGRAM INSTALLATIONSPLAN SCHEMA DE INSTALLATION ESQUEMA DE INSTALACIÓN	MODELLO GRILLIE GRILLOIR GRILL GRILLGERÄTE GRELHA	DATA	13/10/2014	CODICE
			DI SEGNA TORE	Pin S.	
			CONTROLLATO	Pin S.	2551121.00
			FOGLIO: 111		

LA DITTA SI RISERVA, A TERMINI DI LEGGE, LA PROPRIETA' DI QUESTO DISEGNO CON DIVIETO DI RIPRODURLO O RENDERLO PUBBLICO A TERZI SENZA LA SUA AUTORIZZAZIONE







A= Attacco gas / Arrivee gaz / Gasanschluss / Gas inlet
 EN 10226-1 R 1/2
 EN ISO228-1 G 1/2 (DK)

Tipo di apparecchi "A1" - Appareilles du type "A1" - Aparatos de tipo "A1"
 Geräte-Typ "A1" - Type of appliances "A1"



Prima di intervenire sull'apparecchiatura, scollegare l'alimentazione elettrica - Unplug the power supply before operating on the appliance
 Bevor am gerät arbeiten ausschalten er è die elektrische speisung
 Avant d'intervenir sur l'appareil, déconnectez l'alimentation électrique - Desconectar el alimentación antes cualquier intervención sobre el aparato

SCHEMA DI INSTALLAZIONE
 SCHEMA DE INSTALLATION
 INSTALLATION DIAGRAM
 INSTALLATIONSPLAN
 ESQUEMA DE INSTALACIÓN

MODELLO

90-40 GRL
 90-80 GRL

data: 25/09/2012

nome: Pasquet

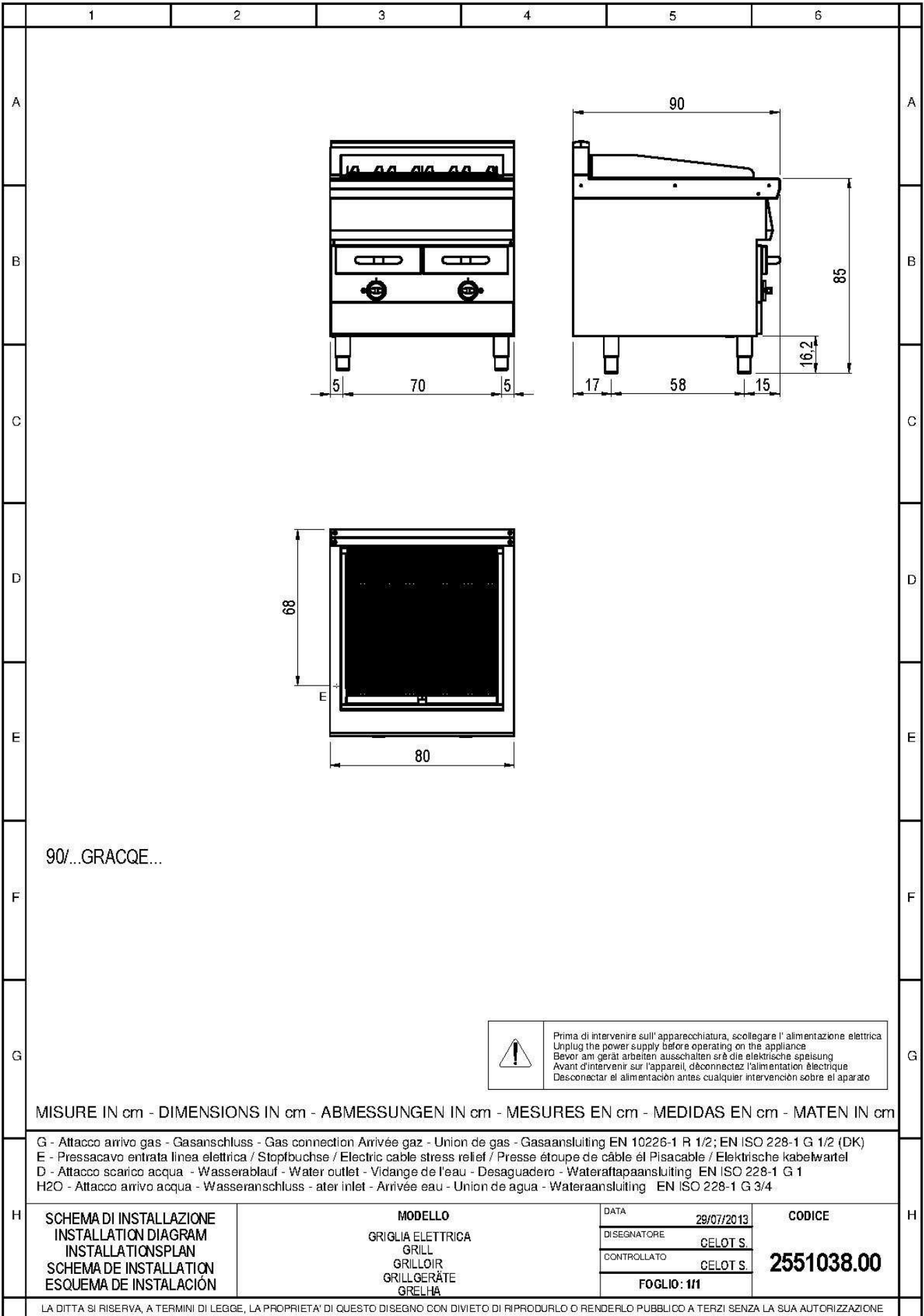
ultima mod.: /

FOGLIO: 1/1

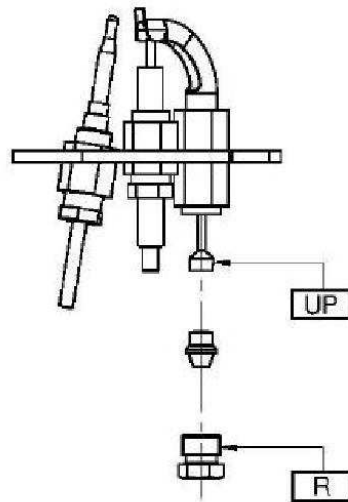
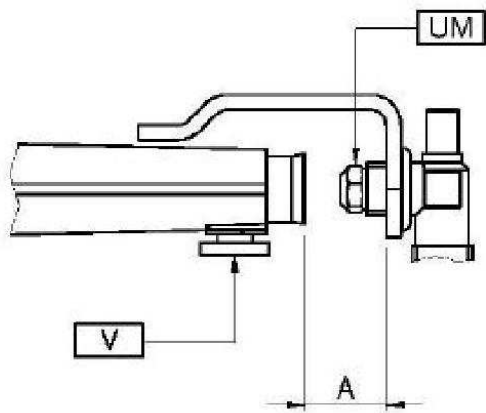
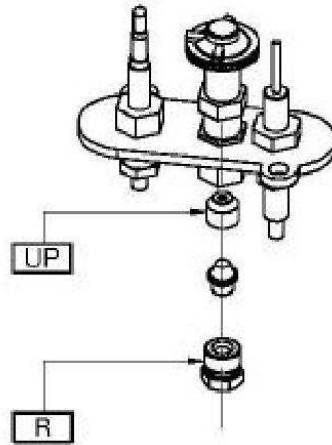
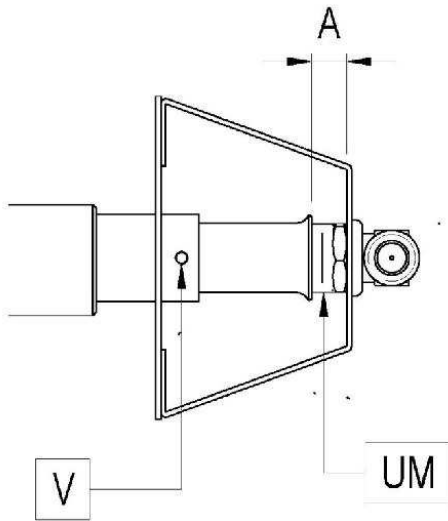
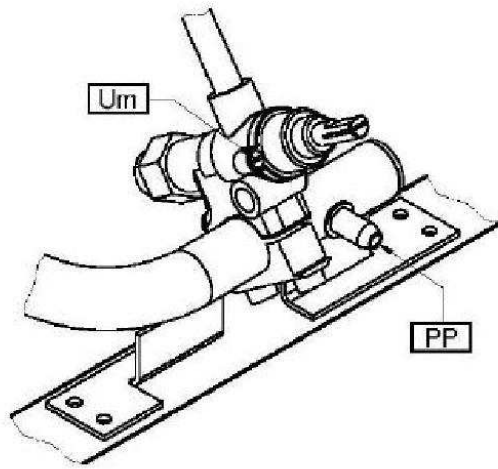
CODICE

255.300.02

LA DITTA SI RISERVA, A TERMINI DI LEGGE, LA PROPRIETÀ DI QUESTO DISEGNO CON DIVIETO DI RIPRODURLO O RENDERLO PUBBLICO A TERZI SENZA LA SUA AUTORIZZAZIONE



VII. FIGURE – ABB. – FIG. FIGURE-FIG.-IMAGE-ABB.-CIFRAS-AFBEELDINGEN



VIII. TAB1 - DATI TECNICI - TECHNICAL DATA - TECHNISCHE DATEN - CARACTERISTIQUES TECHNIQUES - DATOS TECNICOS - TECHNISCHE GEGEVENS Ugelli e regolazioni - Nozzles and settings - Buses et les paramètres - Dusen und Einstellungen - Boquillas y los ajustes - Verstuivers en regelingen

TAB1				
Gas Gaz	Pa (mbar)	UM UP A	_65/40 GRG _65/70 GRG	_70/40 GRG... _70/70 GRG...
G20 G20/G25	20 20/25	UM	205	205
		UP	36	36
		A (mm)	-	10
		Um	REG	REG
G25	20	UM	225	225
		UP	36	36
		A (mm)	-	10
		Um	REG	REG
G25	25	UM	205	220
		UP	36	36
		A (mm)	-	10
		Um	REG	REG
G20	25	UM		
		UP		
		A (mm)		
		Um		
G25.1	25	UM		
		UP		
		A (mm)		
		Um		
G30/G31	28-30/37 28-30	UM	135	135
		UP	19	19
		A (mm)	-	10
		Um	110	100
G30/G31	37	UM		
		UP		
		A (mm)		
		Um		
G30/G31	50	UM	115	115
		UP	19	19
		A (mm)	-	10
		Um	110	100
G110	8	UM	480	480
		UP	75	75
		A (mm)	1	1
		Um	REG	REG
G120	8	UM	400	400
		UP	75	75
		A (mm)	18	18
		Um	REG	REG
Pa : Pressione di allacciamento - Anschlussdruck - Supply pressure - Pression de raccordement - Presión de conexión - Aansluitdruck				
UM : Ugello MAX - Duse MAX - MAX nozzle - Buse MAX - Boquilla MAX - Sproeier MAX				
Um : Ugello MIN - Duse MIN - MIN nozzle - Buse MIN - Boquilla MIN - Sproeier MIN				
UP : Pilota - Zündbrenner - Pilot - Veilleuse gaz - Piloto - Waakvlam				
A : Apertura Aereatore - Öffnen Luftring - Aerator Opening - Ouverture Aérateur - Abertura del aireador - Opening beluchter				
REG : Regolato - Eingestellt - Regulated - Règle - Regulado - Geregeld				

TAB1						
Gas Gaz	Pa (mbar)	UM UP A	_60/30 GRL _60/60 GRL	_65/40 GRL _65/70 GRL	_70/40 GRL... _70/70 GRL...	_90/40 GRL _90/80 GRL
G20 G20/G25	20 20/25	UM	175L	175L	205	235
		UP	51	27	36	36
		A (mm)	10	-	10	10
		Um	200	230	REG	REG
G25	20	UM	195L	195L	235	260
		UP	51	27	36	36
		A (mm)	10	-	10	10
		Um	200	REG	REG	REG
G25	25	UM	185L	180	220	245
		UP	51	27	36	36
		A (mm)	10	-	10	10
		Um	200	230	REG	REG
G20	25	UM	165L	-	195	220
		UP	51	-	36	36
		A (mm)	10	-	10	10
		Um	200	-	REG	REG
G25.1	25	UM	195L	-	220	245
		UP	51	-	36	36
		A (mm)	10	-	10	10
		Um	200	-	REG	REG
G30/G31	28-30/37 28-30	UM	120L	120L	140	155
		UP	30	19	19	19
		A (mm)	10	-	10	10
		Um	110	110	100	100
G30/G31	37	UM	110L	-	130	145
		UP	30	-	19	19
		A (mm)	10	-	10	10
		Um	110	-	100	100
G30/G31	50	UM	105L	100	120	135
		UP	30	19	19	19
		A (mm)	10	-	10	10
		Um	110	90	100	100
G110	8	UM	350L	350	450	470
		UP	62	75	75	75
		A (mm)	10	-	9.5	9.5
		Um	REG	REG	REG	REG
G120	8	UM	330L	325	400	430
		UP	62	75	75	75
		A (mm)	10	-	9.5	9.5
		Um	REG	REG	REG	REG

Pa : Pressione di allacciamento - Anschlussdruck - Supply pressure - Pression de raccordement - Presión de conexión - Aansluitdruk

UM : Ugello MAX - Duse MAX - MAX nozzle - Buse MAX - Boquilla MAX. - Sproeier MAX

Um : Ugello MIN - Duse MIN - MIN nozzle - Buse MIN - Boquilla MIN - Sproeier MIN

UP : Pilota - Zündbrenner - Pilot - Veilleuse gaz - Piloto - Waakvlam

A : Apertura Aereatore - Öffnen Lüftring - Aerator Opening - Ouverture Aérateur - Abertura del aireador - Opening beluchter

REG : Regolato - Eingestellt - Regulated - Règle - Regulado - Geregeld

IX. TAB2 - DATI TECNICI - TECHNICAL DATA - TECHNISCHE DATEN - CARACTERISTIQUES TECHNIQUES - DATOS TECNICOS - TECHNISCHE GEGEVENS Categorie e pressioni - Categories and pressures - Catégories et pressions - Kategorien e Druck - Las categorías y las presiones - Categorieën en druk

Paese Land Country Pays Pais	Categoria Kategorie Category Catégorie Categoria Categorie	Gas-Gaz	Pressione di allacciamento Anschlussdruck Supply pressure Pression de raccordment Pression de conexion Aansluitdruk (mbar)		
			Nom. Neen. Norm. Normal	Min.	Max
LU-PL	I2E	G20	20	17	25
NO	I2H	G20	20	17	25
NL	I2L	G25	25	20	30
LU	I3+	G30/G31	28-30/37	20/25	35/45
NO-NL-CY-MT	I3B/P	G30/G31	28-30	25	35
PL	I3B/P	G30/G31	37	25	45
BE-FR	II2E+3+	G20/G31	20/25	17	25/30
		G30/G31	28-30/37	20/25	35/45
DE	II2ELL3B/P	G20	20	17	25
		G25	20	18	25
		G30/G31	50	42.5	57.5
ES-GB-GR-IE-IT-PT-SK	II2H3+	G20	20	17	25
		G30/G31	28-30/37	20/25	35/45
FI-BG-EE-LV-LT-CZ-SI-TR-HR-RO	II2H3B/P	G20	20	17	25
		G30/G31	28-30	25	35
AT-CH	II2H3B/P	G20	20	17	25
		G30/G31	50	42.5	57.5
HU	II2HS3B/P	G20	25	18	33
		G25.1	25	18	33
		G30/G31	28-30	25	35
HU	II2HS3B/P	G20	25	18	33
		G25.1	25	18	33
		G30/G31	50	42.5	57.5
SE	III1ab2H3B/P	G20	20	17	25
		G30/G31	28-30	25	35
		G110	8	6	15
		G120	8	6	15
DK	III1a2H3B/P	G20	20	17	25
		G30/G31	28-30	25	35
		G110	8	6	15
IT-CH	II1a2H	G20	20	17	25
		G110	8	6	15

X. TAB3 - DATI TECNICI - TECHNICAL DATA - TECHNISCHE DATEN - CARACTERISTIQUES TECHNIQUES - DATOS TECNICOS - TECHNISCHE GEGEVENS Dati tecnici apparecchiature gas - Technical data of gas appliances - Caractéristiques techniques des appareils à gaz - Technische Daten gasgerate - Datos técnicos de los equipos de gas - Technische gegevens gasapparatuur

TAB3													
Modelli Modelle Models Modeles Modelos Modellen	Larghezza Breite Width Largeur Anchura Breedte	ΣQn	Σqn G110 (8)	Consumo gas complessivo - Gesamtgasverbrauch Total gas consumption Consummation totale de gaz - Consumo total de gas - Totaal gasverbruik									
				G20 (20)	G25 (25)	G25 (20)	G20 (25)	G25.1 (25)	G110 (8)	G120 (8)	G30 (29)	G30 (37)	G30 (50)
				mm	kW	kW	m3/h	m3/h	m3/h	m3/h	m3/h	m3/h	m3/h
_60/30 GRL	300	5.5	5.5	0.58	0.68	0.68	0.58	0.68	1.42	1.26	0.43	0.43	0.43
_60/60 GRL	600	11	11	1.16	1.35	1.35	1.16	1.35	2.84	2.53	0.87	0.87	0.87
_65/40 GRG	400	7.5	-	0.79	0.92	0.92	0.79	0.92	-	-	0.59	0.59	0.59
_65/70 GRG	700	15	-	1.59	1.85	1.85	1.59	1.84	-	-	1.18	1.18	1.18
_65/40 GRL	400	5.5	-	0.58	0.68	0.68	0.58	0.68	-	-	0.43	0.43	0.43
_65/70 GRL	700	11	-	1.16	1.35	1.35	1.16	1.35	-	-	0.87	0.87	0.87
_70/40 GRG...	400	7.5	7.5	0.79	0.92	0.92	0.79	0.92	1.94	1.72	0.59	0.59	0.59
_70/70 GRG...	700	15	15	1.59	1.85	1.85	1.59	1.84	3.87	3.44	1.18	1.18	1.18
_70/40 GRL...	400	7.5	7.5	0.79	0.92	0.92	0.79	0.92	1.94	1.72	0.59	0.59	0.59
_70/70 GRL...	700	15	15	1.59	1.85	1.85	1.59	1.84	3.87	3.44	1.18	1.18	1.18
_90/40 GRL	400	9.5	9.5	1.01	1.17	1.17	1.01	1.17	2.45	2.18	0.75	0.75	0.75
_90/80 GRL	800	19	19	2.01	2.34	2.34	2.01	2.33	4.90	4.36	1.50	1.50	1.50

XI. TAB4 - DATI TECNICI - TECHNICAL DATA - TECHNISCHE DATEN - CARACTERISTIQUES TECHNIQUES - DATOS TECNICOS- TECHNISCHE GEGEVENS Dati tecnici apparecchiature elettriche - Dati tecnici aTechnical data of electric appliances - Caractéristiques techniques des appareils électriques - Technische Daten Elektrogerate - Datos técnicos de los equipos eléctricos - Technische gegevens elektrische apparatuur

TAB4						
Modelli Modelle Models Modelos Modellen	Larghezza Breite Width Largeur Anchura Breedte	Tensione di alimentazione Netzspannung Power supply voltage Tension d'alimentation Tension de alimentacion Voedingsspanning	Fasi Phasen Phases Fases Fasen	Frequenza Frequenz Frequency Fréquence Frecuencia Frequentie	Potenza totale massima Max. gesamtleistung Max. total power Puissance totale maximum Potencia maxima total Max totaal vermogen	Sezione cavo alimentazione Querschnitt netzkabel Power supply cable section Section du cable de alimentation Section del cable de alimentacion Doorsnede elektrisch snoer
	mm	V	Nr. No. Nbre N. A ant.	Hz	kW	-
_70/40 GRACQE	400	380-415	3N	50-60	6.00	5 G 1
_70/80 GRACQE	800	380-415	3N	50-60	12.00	5 G 2.5
_90/40 GRACQE	400	380-415	3N	50-60	7.50	5 G 1.5
_90/80 GRACQE	800	380-415	3N	50-60	15.00	5 G 2.5