

E M G A



MEAT MINCER

Modelnr.: *410.009



OPERATING MANUAL

INDEX

CHAP. 1.	CONTENT ORGANIZATION AND CONSULTATION MODALITY	3
CHAP. 2.	GENERAL INFORMATION AND CHARACTERISTICS	3
CHAP. 3.	SAFETY INSTRUCTIONS	7
CHAP. 4.	TRANSPORTATION, PUT ON SERVICE AND USE	8
CHAP. 5.	DAMGES RESEARCH AND CLEANING	11
CHAP. 6.	SELLING	13
CHAP. 7.	MANUFACTURING MATERIALS	13

GUARANTEE

The machine is guaranteed 12 (twelve) months from the sale date.

The guarantee covers the machines reparations acquired c/o the authorized sale points, if it is demonstrated that they are faulty in the materials or in the assembly, to the conditions here follow described:

1. For guarantee gets on the free change of all parts that are resulted manufacturing defect. The guarantee decades if not coupled from fiscal ticket or invoice certifying the purchase and for the following cases:
 - a. Machine tampering or damaging due to negligence;
 - b. Machine use with non conformance modalities to the warnings described in the instructions handbook;
 - c. Damages caused from the non environment suitability in which the device works and from phenomenon not dependent from the machine normal functioning (voltage values irregularities and frequency in the net plant);
 - d. Reparations interventions performed from people or centers not authorized from the manufacturer,
2. The intervention request in guarantee will have to be performed only in the sale points or authorized laboratories;
3. The machine will have to be free port returned to the manufacturer for the reparation and the transportation expenses are always charged to the receiver,
4. It is excluded the machine change nor the guarantee prolongation following the intervention for damage;
5. The manufacturer doesn't answer for direct or indirect damages of any nature to people or things for the improper use of the machine or for lacked use during the time occurring for the reparations.

MODEL	TS 8 / TI 8 / TG 8 / TGI 8 / GM
--------------	--

Use instructions manual	
Issue	November 2014

CHAP. 1. CONTENT ORGANIZATION AND CONSULTATION MODALITY

MANUAL PURPOSE

MANUAL IMPORTANCE

The present instruction manual for the use is to be considered as **integral part of the machine**:

1. Must be kept for all the machine life.
2. Must be coupled with the machine in case of its ceasing.
3. Besides to show all useful notices for the operators, contains (collected in specific chapters) the electric diagrams that will be used for the possible maintenance interventions and repairation.

Besides the present manual has been written with the purpose to supply **indications and warnings** to know the supplied machine, to understand its principles and functioning limits. For possible doubts you can call the Authorized Assistance Center.

RESPONSABILITY

- If the present manual endures damages or is lost, it is possible to request a copy to the Authorized Assistance Center.
- The present manual reflects the technical state during the machine manufacturing; the manufacturer reserves the right to update the production and of consequence other manual issues, without the obligation to update productions or previous manuals, if not in particular cases regarding the health and the people safety.
- Pay particularly attention to the residual risks content present on the machine and the prescriptions to which the operators must keep.
- The manufacturer is the responsible for the machine in its original configuration.
- The manufacturer isn't the responsible for damages caused from the improper use or not correct of the machine and documentation or for damages caused from the imperative standards violation, negligence, lack of experience, imprudence and the not respect of regulation standards on behalf of the employer, of the operator or the maintenance man and for every possible damage, caused from an irrational, improper and/or wrong use.
- The manufacturer isn't the responsible for the consequences caused from the not original spare parts use or of equal characteristics.
- The manufacturer is the responsible only for the information showed in the manual original version in Italian language.
- The prescriptions non-fulfillment contained in this manual will cause the guarantee immediate decay.

The factory responsables, that supervision to the working activities, in the field of the foreseen respective attributions and competence, must:

- Carry out the foreseen safety measures;
- Make informed the operators about the specific risks whom are exposed and bring to their knowledge the prevention essential standards;
- Prepare and require that the single operators observe the safety standards and use the protection means put at their disposal;
- Work an operator, contemporary, on this product.

CHAP. 2. GENERAL INFORMATION AND CHARACTERISTICS

GENERAL INFORMATION AND CHARACTERISTICS

Meat mincer designed to be used with plate holes diameter smaller or equal to 8mm.

The mincer – grater, here follow is called “machine”, è designed for:

1. With the grinding group placed from a side, to mince, reduce of size **fresh meat not frozen, through cutting tools** to obtain meat sauce, hamburgers, meatballs and sausages. The meat must be without bones, or other parts of different consistency from the meat.
2. With the grater group placed on the opposite side of the machine, to **grater tough cheese, bread and biscuits**.

In the grinding group, the machine is constituted from an electric motor inserted in a unique merger (basic machine body). In some versions the merger can be recovered from a bonnet (hulled machine body).

The meat to grind, is loaded manually in the load hopper, placed in the superior zone of the machine and always manually and with the pestle help is introduced in the grinding neck towards the Archimedean screw.

The hopper is blocked to the machine neck. The pestle is of plastic material suitable for the contact with food products.

The grinding group is of Enterprise type it comes with 6mm plate holes diameter.

The plate in turn is pressed against the cutter from the wheel inserted on the grinding group mouth.

The grinding group is dismantable; all direct contact materials with the food material are in conformance with the actual hygienic standards for food.

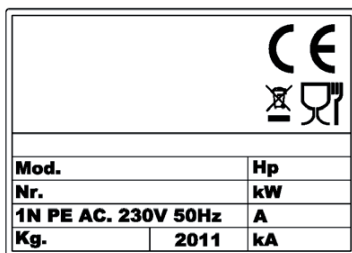
In the grinding group, the motor used for the grater rotation is the same used in the grinding group.

The product to grate is loaded manually inside the grater mouth placed in the machine superior zone, and always manually, acting the pressure with its handle, the product is driven against the grater roll.

The product load must happen in moderate quantity to avoid that lowering the pressure the machine doesn't start, due to the safety micro switch placed in the pressure block.

The grater roll, which can be **milled**, cannot be removed from the machine.

The machine is supplied with the identification plate on which the following data are showed:

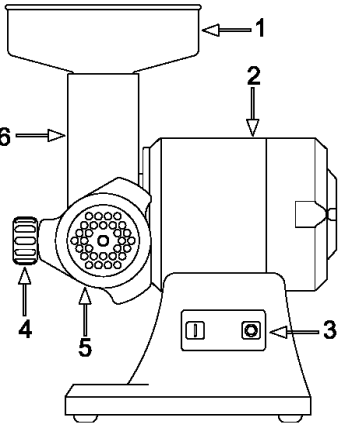
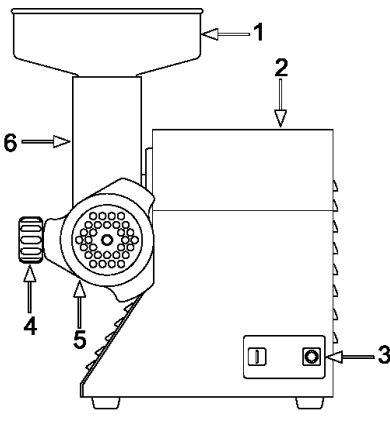
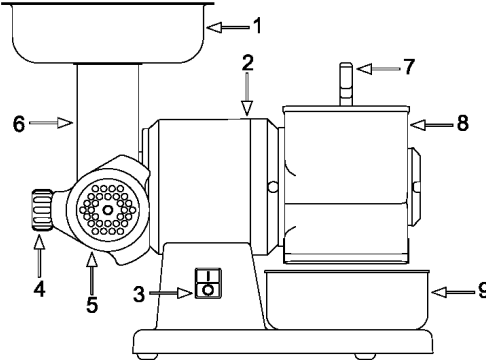
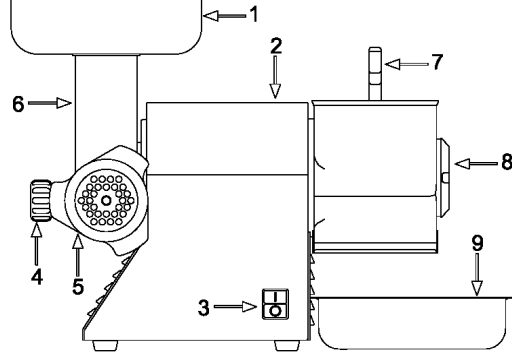
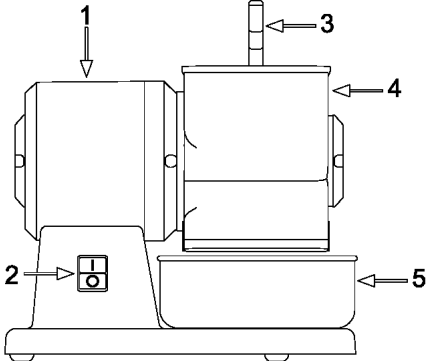
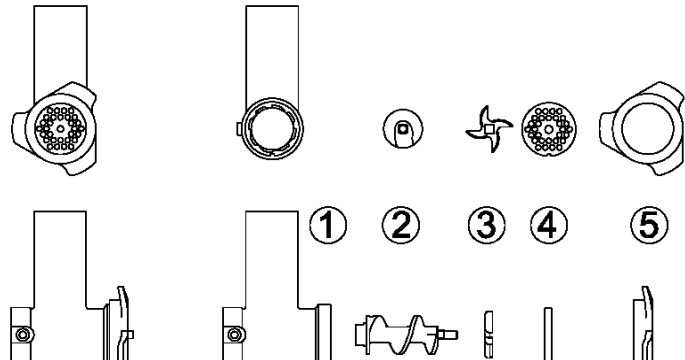


[fac simile]

TECHNICAL AND MANUFACTURING DATA

TECHNICAL DATA	MODEL				
	TS 8	TI 8	TG 8	TGI 8	GM
Motor power (kW) / (Hp)	0.38/ 0,5	0.38/ 0,5	0.38/ 0,5	0.38/ 0,5	0.38/ 0,5
Grinding mouth internal size (mm)	60	60	60	60	---
Grater mouth internal size (mm)	---	---	110 x 65	110 x 65	110 x 65
Mincer timetable production (kg/h)	20	20	20	20	---
Grater timetable production (kg/h)	---	---	30	30	30
Mass (kg)	9	10	10	12	8
Maximum sizes: A x B x C (mm)	270 x 260 x 360	270 x 280 x 350	380 x 260 x 360	400 x 280 x 360	280 x 170 x 310
Continue acoustic power level considered equal to A	Minor of 70dBA				
Current nature – Frequency	Machine plate				
Full charge current	Machine plate				
Use nominal voltage	Machine plate				
Auxiliary circuits voltage	AC 24V – DC 24V				
Mass and neutral	TT e TN				
Protection degree	IP X3				
Use place	Inside				
Machine positioning	Working ground used in the food field of height included between 900/1100mm from the trampling level of adequate capacity, with a free circulation space of at least 800mm				
Environment air max. temperature	+40°C				
Requested minimum illumination	500 lux				
Product directive conformance	2006/42/CE, 2006/95/CE and successive modifications and integration, Reg. 1935/2004				

GROUP	MODEL				
	TS 8	TI 8	TG 8	TGI 8	GM
Basic machine body	●		●		●
Hulled machine body (I)		●		●	
Grinding group	●	●	●	●	
Milled grater roll			●	●	●

GROUP	EXAMPLE	
<ol style="list-style-type: none"> 1. Load hopper 2. Machine body 3. Control switch ON / OFF 4. Mouth block knob 5. Blockage wheel 6. Machine neck 	 <p style="text-align: center;">Mincer: basic machine body</p>	 <p style="text-align: center;">Mincer: hulled machine body (I)</p>
<ol style="list-style-type: none"> 1. Load hopper 2. Machine body 3. Control switch ON / OFF 4. Mouth block knob 5. Blockage wheel 6. Machine neck 7. Pressure handle 8. Grater mouth 9. Collect container 	 <p style="text-align: center;">Mincer/Grater: basic machine body</p>	 <p style="text-align: center;">Mincer/grater: hulled machine body (I)</p>
<ol style="list-style-type: none"> 1. Machine body 2. Control switch ON / OFF 3. Pressure handle 4. Grater mouth 5. Collect container 	 <p style="text-align: center;">Grater: basic machine body</p>	
<p>Grinding group</p> <ol style="list-style-type: none"> 1. Grinding mouth 2. Archimedeian screw 3. Cutting knife 4. Drilled plate 5. Blockage wheel 		

NORMAL USE, IMPROPER USE, NOT CORRECT USE OR FORBIDDEN

The machine described in the present instructions manual for the use is foreseen to be driven **from an only operator** skilled and prepared on residual risks, but with the competence, in safety matter, of maintenance employees.

In its **NORMAL USE**, and **reasonably** foreseeable, the machine can be used only for:

1. **With the grinding group**, to mince, reduce of size **fresh meat not frozen, through cutting tools** to obtain stew, hamburgers, meatballs and sausages. The meat must be without bones or other parts of consistency different from the meat.
2. **With the grater group**, to **grate tough cheese, bread and biscuits**.

The machine must not be used **IN IMPROPER WAY**; in particular:

1. It must not be used for domestic uses,
2. It must not functioned with parameters different from those showed in the technical characteristics table,
3. For every use of the machine with modalities different from those showed in the present manual, the manufacturer declines every responsibility,
4. The user is responsible of the damages resulting from the lacked exercise conditions observance in accordance with the greed technical specifications and order confirmation,
5. **The grinding group must not functioned in vain; when the grater group is used, disassembly the grinding group,**
6. Not tamper or damage intentionally nor remove or hide the labels.

The machine must not be used **IN NOT CORRECT WAY** or **FORBIDDEN** so some damages or injuries could be caused for the operator; in particular:

1. It is forbidden **to move the machine** when it is connected to the electric feeding;
2. It is forbidden **to draw the electric feeding cable or the machine** to disconnect the feeding plug,
3. It is forbidden **to put weights** on the machine or on the electric feeding cable,
4. It is forbidden to **put the electric feeding cable** on sharp parts or with burn danger,
5. It is forbidden the machine use with the damaged and not integer **electric feeding cable or with the control devices**;
6. It is forbidden to **leave the machine off** with the electric feeding cable connected with the feeding plug,
7. It is forbidden to **leave the loaded machine unguarded**;
8. It is forbidden to **insert any type of object** inside the motor ventilation cap;
9. It is forbidden to **put the machine above different objects from the working ground** used in the food field of height included between 900 - 1100mm from **the trampling level**,
10. It is forbidden to **insert any kind of object** under the machine base or put clothes or other between the machine support pressure feet and the working ground,
11. It is forbidden **the use of inflammable substances, corrosive or harmful for the cleaning**,
12. It is forbidden to **plunge the machine** in water or in other liquids;
13. It is forbidden **the not authorized personnel use** and with clothes different from that showed for the use,
14. It is forbidden to **introduce in the grinding neck and in the grater mouth, products or objects having characteristics** different from those showed in the normal use, such as for example bones, frozen meat, not food products, or other objects as scarves, etc...,
15. It is forbidden to **introduce in the exit zone of the grated product, any object**, as for example knives blades, etc...,
16. It is forbidden to **remove the hopper during** the machine working or however when some food product has been left to work,
17. It is forbidden to **slacken the mouth block knob or the blockage wheel** both during the working and however **before of 5 sec** from the machine stop control,
18. It is forbidden the functioning **with the protection shelters and fixes not blocked correctly or removed**;
19. It is forbidden **the partial removal** of the protections and of the danger signals.
20. It is forbidden the functioning without that all the **precautions about the residual risks elimination** have been adopted on behalf of the user,
21. It is forbidden to **smoke or use free flame devices** and manipulate incandescent materials, unless some suitable safety measures aren't adopted,
22. It is forbidden to work or **regulate the control and blockage devices as knobs or similar** both during the machine functioning, both if you aren't authorized
23. **the use of plates with holes diameter bigger than 8mm is forbidden.**

The user is however responsible of the damages resulting from the lacked observance of the specified normal use conditions. For possible doubts you can enquire at the **Authorized Assistance Center**.

CHAP. 3. SAFETY INSTRUCTIONS

WARNINGS ON THE RESIDUAL RISKS

RESIDUAL RISK DUE TO THE FIXED PROTECTIONS REMOVAL, INTERVENTIONS ON BROKEN/WORN PARTS

For any **occasion the operator must not try to open or remove a fixed protection or tamper a safety device.**

In the phase of equipment, maintenance and cleaning, and during all further manual operations that happens introducing the hands or other body parts in the machine dangerous areas, a residual risk remains due above all to:

1. **Knocks with machine manufacturing parts,**
2. **Grazing and/or abrasion with machine rough parts,**
3. **Sharp pain with the sharpened parts,**
4. **Cut with tools sharpened parts.**

Besides, the operator and the maintenance man **must be skilled for the intervention connected to the manual operations with open protections**, must be trained on the joined consequent risks and must be authorized from a responsible person.

PROTECTION DEVICES ON THE MACHINE

The machine protections and safety devices must not be removed.

If they must be removed for extraordinary maintenance requirements **some measures will have to be immediately adopted ready to put in evidence and to reduce at the possible minimum limit the danger.**

The putting back in its place of the protection or of the safety device must happen as soon as the reasons, that have made necessary their temporary removal, are stopped.

The machine transmission parts are completely isolated by means of fixed protections which don't allow the access for none kinematical chain.

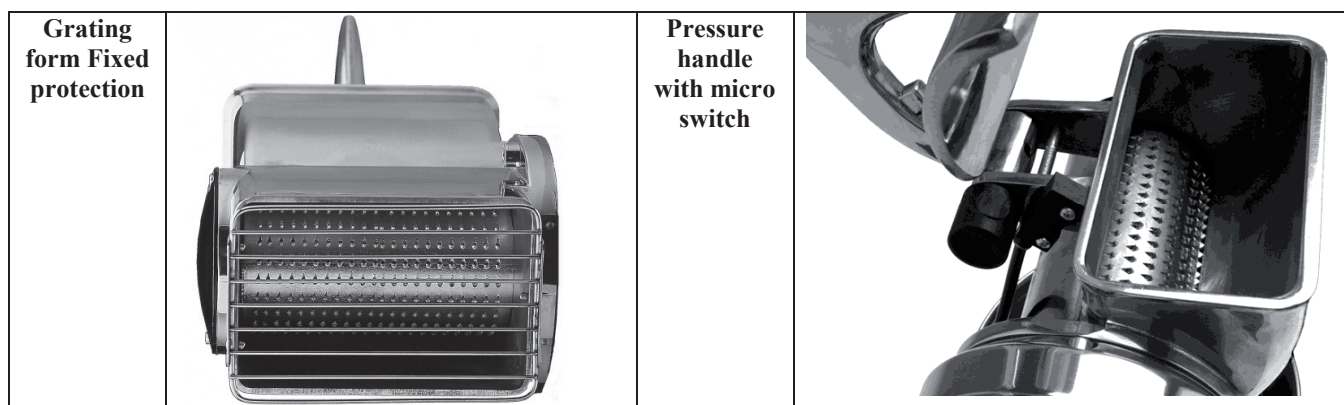
For all **safety functions** including the control and check systems parts joined to the safety, some well-tested components and safety principles have been used.

Grinding group:

1. Taking into account of the machine use modality and its use destination, the moving elements aren't isolated from fixed protections, moving protections or other safety devices.
2. The grinding group parts result placed at some distances from the access points such for which some dangerous points aren't reachable.

Grater group:

1. Taking into account of the machine use modality and its use destination, the moving elements aren't isolated from fixed protections, moving protections or other safety devices.
2. On handle and pressure group a micro switch is placed, which stops the grater roll rotation when it is possible to access through the grater mouth;
3. In the inferior zone of the grater group in correspondance of the grated product exile a grating form fixed protection is present, which prevent the fingers access towards the grater roll.



CHAP. 4. TRANSPORTATION, PUT ON SERVICE AND USE

The machine management is allowed only to the authorized personnel and opportunely educated and endowed of a sufficient technical experience.

Before to switch on the machine perform the following operations:

- Read with attention the technical documentation,
- Know what protections and emergency devices are available on the machine, their location and functioning.

The not authorized use of commercial parts and accessories making part of the protections and safety devices can cause some malfunctions and the ranger situation beginning for the operators. **The operator must besides** have received an adequate training.

PACKING REMOVAL – OPENING MODALITY

The machines are packed so that the infiltration / entering of liquids, organic matters or beings alive is avoided: this is performed from a **covering in polyethylene around the machine**, and inserted in a **cardboard box** of adequate size. The empty spaces inside the box are occupied from the **filling material**.

Don't waste the packing in the environment, but restore it for possible transportation or address it to the recycling agencies. The evaluation and the management with the aim of the products biological compatibility used in the packing are of the user competence and responsibility.

It is an employer obligation **to be acquainted of the actual laws in own country and work so that to observe these legislations.**

It is forbidden and besides liable to fines, leave the machine and the electric equipment in the environment.

PREPARATION PRELIMINARY OPERATIONS

ELECTRIC FEEDING

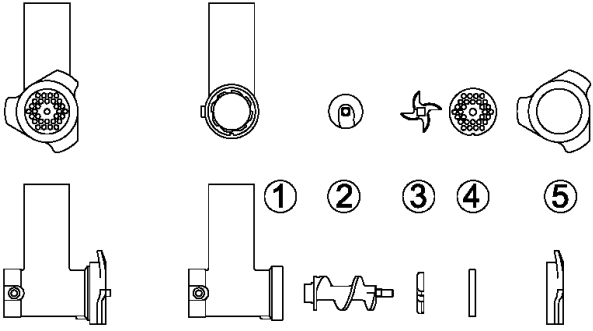
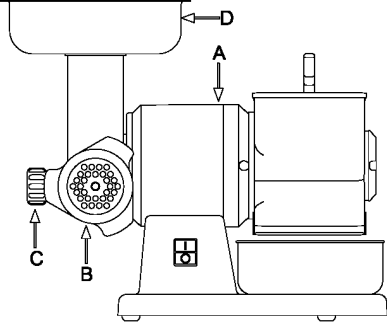
The electric feeding connection must be in conformance with the **country legislation in which is used.**

The electric feeding must be always of the type and have an intensity corresponding to the specifications indicated in the machine number plate.

GRINDING GROUP ASSEMBLY / DISASSEMBLY

The assembly / disassembly operations of any machine part are performed with the stop machine and with the plug disconnected from the socket, or with the sectioning device in OFF.

The **grinding group** assembly on the machine takes place in two phases (in exemplifying way it is showed the grater mincer with basic machine).

<p>The phase n. 1 for the grinding group is performed on a working ground following the under reported order:</p> <ol style="list-style-type: none"> 1. Insert in the pipe union (1) in the order: Archimedean screw (2), cutting knife oriented as in figure and inserted in the dragging pivot (3), drilled plate (4) inserted in the pipe union place (1); 2. Screw down and tighten the blockage wheel (5). 	
<p>The phase 2 is performed on the machine:</p> <ol style="list-style-type: none"> 1. Insert up to the blow the complete grinding group (B) on the machine (A); 2. Tighten the mouth stop knob (C) up to when the grinding group (B) is blocked on the machine (A); 3. Insert the hopper (D) in the machine neck; 4. In these conditions the machine is ready to work. 	

The disassembly activities of the **grinding group** from the machine are performed following in the backwards way the assembly phases previously described, starting from the phase n. 2 passing to the phase n. 1.

For a plate and knife better improvement and duration it is advised **to keep them always coupled.**

FUNCTIONING DESCRIPTION

The control devices are designed and manufactured so as much sure and reliable and resistant to the service normal stresses, to the foreseeable strains and to the external agents. Besides they are clearly visible, locatable and marked from a suitable marking. Here follow the main **control devices** are showed:

TYPE / COLOR	REFERENCE / DESCRIPTION
button / black	“0” / button for the machine stop control
Button / white	“I” / button for the machine start control

STARTING

The machine starting is possible only **with a voluntary action** on the **control device foreseen for this aim**: white button “I” for the machine starting control.

STOP

For the stop control push the black button “0”. In case of **momentary or extended stop**, before to get in function the machine, all food products must be removed within the machine: follow the indications relative to the grinding group disassembly.

FUNCTIONING SAFETY

If the machine is **under stress**, or is submitted to too long functioning times or submitted at overloaded, the same stops immediately for the thermal protection functioning. In this case **wait that it is completely cooled** before proceeding to the starting function.

VOLTAGE LACKING

In case of electric feeding breaking or if the machine is disconnected from the electric net, this last one will be able to be restarted only following the starting function, **after the electric feeding back or the reconnection to the electric net**.

PRESSURE OPENING

Lifting for the handle the pressure of the grater group, the machine stops immediately for the safety micro switch functioning. The machine can be restarted only lowering the pressure up to the height that doesn't allow the fingers introduction towards the grater roll and following successively the starting function.

CONTROLS AND VERIFICATIONS BEFORE STARTING

VERIFICATION / CONTROL	MODALITY AND CHECKS
<u>Check that:</u> ➤ Extraneous objects aren't on the machine, inside the hopper, inside the machine neck, inside the grater mouth and in correspondence of the exile zone of the grated product	Sight control of the indicated parts, to check of objects or extraneous bodies lacking as for example different tools, clothes, etc... and that there isn't however the food product. In case of presence, provide with their removal.
<u>Check the cleaning:</u> ➤ Of the machine neck internal parts and of the grinding group ➤ Of the pusher ➤ of the grater mouth, of the pressure and the grater roll ➤ of the machine external surface	All indicated parts surfaces, before the machine use must be checked visually to verify their cleaning. For the sight check of the grinding group internal parts, provide with its disassembly. In case of molds presence or other type of dirtiness, provide with the cleaning procedure in accordance with the chapter 5 indications
<u>Check the integrity:</u> ➤ of the fixed protections, ➤ of the loading hopper, ➤ of the machine neck, ➤ of the grater mouth, the pressure and the grater roll ➤ of the machine body	All fixed protections, etc..., must perform the function for which have been foreseen. Indicated parts sight check to verify their integrity in their surface external part. The parts must be however changed at the first erosion signals or breaking.
<u>Check the functionality:</u> ➤ of the control system parts / safety control; ➤ Of the control devices.	All devices must perform the function for which have been foreseen. Control directly the devices so that these ones determine the waiting function. The actuators and all parts must be however changed to the first erosion signals or breaking.
<u>Check the absence:</u> ➤ Of strange noises after the starting	During the functionality checking of the control devices, if there are strange noises, due for example to a seizing or mechanical breaks stop immediately the machine and activate the maintenance service.
<u>Check the absence:</u> ➤ Of oil trails both on the machine support ground both in the Archimedean screw	Both during the working, both at the end of every work, both in the assembly moment of the grinding group; check the oil trails absence in the indicated parts. If there are some fluid drops stop immediately the machine and activate the maintenance service.

For any intervention type or for the parts change that are damaged, **activate the maintenance service**. The possible change must happen with manufacturer original products or at least of quality, safety and equivalent characteristics. For analysis contact the Authorized Assistance Center.

PUT IN FUNCTION

The machine operator can put in function the machine following in order the under reported indications:

1. Controls positive result for the preparation preliminary operations,
2. Controls positive result for the electric feeding,
3. Plug connection in opportune current socket,
4. For the functioning of the **GRINDING GROUP**:
 - a. Checks positive result for the grinding group assembly,
 - b. Checks positive result for the Archimedean screw correct rotation,
 - c. Checks positive result / verifications before starting,
 - d. Finalized checks positive result and verify the all safety conditions respect,
 - e. Lower in its lowest position the pressure handle of the grater group,
 - f. Place a gathering basin in the machine anterior zone in correspondence of the ground meat exit zone,
 - g. Put in the machine left side and start the machine acting the control device of start "I",
 - h. Introduce manually the food product within the machine neck and drive it towards the Archimedean screw using the pestle in equipment,
 - i. At the end of the food product introduction, or when from the drilled plate doesn't come out more the product, stop the machine acting the control device of stop "0".
5. For the functioning of the **GRATER GROUP**:
 - a. Grinding group disassembly,
 - b. Checks positive result for the grater roll correct rotation,
 - c. Checks positive result / verifications before the starting,
 - d. Finalized checks positive result and verify the all safety conditions respect,
 - e. Place a gathering basin in the machine anterior zone in correspondence of the grated product exit zone,
 - f. Put in the machine left side and start the machine acting the control device of start "I",
 - g. Introduce manually the food product within the grater mouth and drive it towards the grater roll lowering the pressure roll,
 - h. At the end of the food product introduction, or when in the basins the product is not more left, stop the machine acting the control device of stop "0".

It is recommended to make not work the machine in vain, without the food product.

It is recommended to make not work the grater group, with the assembled grinding group.

SWITCHING OFF

In succession, the switching off must follow what here under indicated:

1. Before the switching off wait the food product exile conclusion from the drilled plate or in the grater roll inferior zone,
2. Stop the machine acting the control device of stop "0",
3. Disconnect the machine plug from the feeding socket,
4. Perform the cleaning interventions.

UNBLOCK IN CASE OF OBSTACLE

During the working, or during the Archimedean screw rotation or of the grater group, due to:

1. The introduction of food products with not homogeneous parts, as for example bones, or other,
2. The introduction of products excessively hard and dry, the machine could block, the machine could block.

The same situation can determine after an electric feeding break, or when the machine is stopped with inside the food product.

To be able to resume normally the working:

1. If the block is happened in the grinding group, this must be disassembled: the disassembly must not happen slacking the blockage wheel, but slacking the grinding mouth block knob,
2. If the block is happened in the grater roll, the blocked food product must be removed manually.

CHAP. 5. DAMAGES RESEARCH AND CLEANING

BREAKS OR DAMAGES RESEARCH AND MOVING ELEMENTS UNBLOCKING

Here follow are indicate the interventions for the **breaks or damages research and moving elements unblocking** which can be performed from maintenance men.

TYPE	POTENTIAL CAUSE/S	MODALITY AND COMPARISONS
Net voltage lacking	General Black out	Contact the electric energy distributor
	Fuses or magneto thermals intervention place upstream of the machine feeding line	After having eliminated the causes that have determined the protection device intervention, restore it. In case of problem persistency contact an electrician technician.
Functioning intervention	Protection device intervention inside the machine	Contact an electrician technician: after having eliminated the causes that have determined the protection device intervention, restore it. In case of fuses intervention , change them with types of the same model, calibration and intervention curve.
	Grater group handle lifting	Lifting the grater group pressure handle, the machine stops immediately for the entry in function of the safety micro switch. Lower the pressure up to the height that doesn't allow the fingers introduction towards the grater roll and start the machine.
	Cause/s not identifiable	Contact directly the <u>Authorized Assistance Center</u>
The machine doesn't function: the Archimedean screw or the grater roll don't rotate	Feeding voltage lacking.	Check and restore the electric energy.
	Sectioning devices set on "OFF".	Turn the sectioning devices in the position "ON"
	Intervened fuses or not functioning magneto thermals.	Change the intervened fuses, check the magneto thermal switches state.
	Lacked running button functioning	Check the START button efficiency and eventually contact directly the <u>Authorized Assistance Center</u> .
	Thermal intervention due to the overheating	Wait the complete cooling before the machine restarting
Damaged micro switch	contact directly the <u>Authorized Assistance Center</u>	

CLEANING

It is forbidden to clean by hand the organs and the elements in motion.

All cleaning interventions must be started only and exclusively, **after having unloaded the machine with the food product in working and having insulated from the electric feeding source and from external energy.**

The machine, the electric equipment and the machine board components **must not be ever washed utilizing water, and not in any kind of jets form and quantity; so, without "bucket" nor "rubber" nor "towel"**. Don't put ever directly the machine in the sink or under the tap.

The machine hygiene level classification and the associated equipment, for the foreseen use, is 2 (two): machine that, after an hygiene risk evaluation, is in conformance with applicable international standards requirements, but requests a programmed disassembly for the cleaning.

FREQUENCY	PERSONNEL	MODALITY
At the end of every shift work and however before the daily use	Operator	<p>All the surface and the machine parts destined to come in contact with the food product or with the food zones (hopper internal surface, machine neck and the grinding group, the pestle, the pressure, the grater mouth and the grater roll) and the jets zones (machine external surface) must be cleaned and disinfected with the under reported modalities. For the grinding group disassembly activities see the previous descriptions.</p> <ul style="list-style-type: none"> ➤ Scrape the surfaces from the possible food product residuals (for example with plastic scrapers); ➤ Clean all the food zone surfaces and jets zone with a morbid dampened clothes (not draining) with detergent diluted in hot water (also common soap for dishes is good). Don't soak them. With a towel clean inside the grinding mouth. Use specific products for steel or for the aluminum: which must be liquids (not in cream or pastries however abrasive) and above all must not contain chlorine. Against the fat substances the denatured alcohol. ➤ Rinse with cleaned hot water and successively dry all food zone surfaces and jets zone with soft clothes that don't lose coats. ➤ Only the STAINLESS steel parts of the mincer group can be washed also in dishwasher, while the aluminum ones or in cast iron showed in the following table, cannot be washed in dishwasher. ➤ The grinding group reassembly must happen only after a working requirement, leave the pieces wrapped in a dry soft clothes that don't lose coats

	<p>DISINFECTION</p> <ul style="list-style-type: none"> ➤ Use detergents with PH neutral not oxidizing ➤ If the hot water is used (> 60°C) use exclusively demineralised water. ➤ If other products are used, these ones must be adequate to the material type. <p>For the machines with aluminium parts or in cast iron (see following table) it is possible to use peracetic acid products.</p> <p>PERIODS OF LONG INACTIVITY</p> <ul style="list-style-type: none"> ➤ During the machine long inactivity periods provide to pass vigorously on all steel surfaces (especially if stainless) a clothes soaked of Vaseline oil so that to spread a protective veil. <p>THINGS DA NON FARE BEFORE OR DURING THE CLEANING:</p> <ul style="list-style-type: none"> ➤ Enter towards the moving elements without <u>to be previously checked of their stop</u>; ➤ Enter towards the moving elements without have stopped it <u>in safety stop</u> (blockage in zero position of the electric feeding sectioning devices) <p>PRODUCTS NOT TO USE:</p> <ul style="list-style-type: none"> ➤ <u>Compressed air with jets towards the zones with flour warehouses</u> and in general towards the machine; ➤ <u>Vapor equipment</u>; ➤ <u>Detergent that contains CLORO (also if diluted)</u> or its compounds as: the bleach, the muriatic acid, products to clear the drain caustic soda, products for the marble cleaning, in general decalcifying, etc ... can attack the steel composition, staining and oxidizing it unavoidable. The only above described products fumes can oxidize and in any case corrode the steel; ➤ <u>Steel wool, brushes or abrasive discs</u> produced with other metals or alloys (ex. Common steel, aluminum, brass, etc...) or tools that have previously cleaned other metals or alloys, that except to scratch the surface. ➤ <u>Detergents in abrasive dust</u>; ➤ <u>Fuel, solvents or inflammable and/or corrosive fluids</u>; ➤ <u>Substances used to clean the silver</u>.
--	---

PRODUCTS IDENTIFICATION TABLE WITH MINCER GROUP IN ALUMINUM

MOD	ALUMINUM (Codes)
TS8	FTSM101
TI8	FTSMI101
TG8	FTGM102
TGI8	FTGMI102

CHAP. 6. SELLING



The crossed container symbol on the machine shows that the product at the end of its useful life must be collected separately from other refusals



If we decide to not use ever the machine because it is obsolete, damaged or worn, its out of service must be entrusted to specialized and trained personnel. At the end of the dismantling activities all identification plates and other document must be destroyed. The machine can be sold without the possibility to reduce it in small pieces; it is sufficient to disconnect the main groups that compose it and to send them for the scrapping.

Don't sell the machine like mixed urban refusal, perform the waste separation.

The machine collection or harvest systems are:

- Collection through distributor consortium
- Delivery possibility to the machine distributor equivalent to the purchasing certificate of a new machine.

In the machine there aren't dangerous substances with potentially negative effects on the ambient and on the human health. It is fundamental that the purchasers contribute to the reuse, to the recycling and to the other forms of machine restoring. It is the employer obligation to be aware of the actual laws of own country and work so to be comply with these legislations.



It is forbidden and besides liable of penalties to leave the machine and the electric equipment in the ambient.

•

CHAP. 7. MANUFACTURING MATERIALS

In accordance with the functioning and production requirements, the machine can be constituted with different typology of manufacturing materials.

GROUP	MATERIALS TYPOLOGY				
	Stainless Steel 18/8	Stainless steel AISI 304	Stainless steel AISI 440	Aluminum for foods	Treated steel for foods
Machine body and hopper	•			•	
Knifes and drilled plate			•		
Grinding group		•		•	
Milled grater roll		•			•
Pressure, handle, grater mouth				•	

INDEX

CHAP. 1.	ORGANISATION DU CONTENU ET MODALITES DE CONSULTATION	3
CHAP. 2.	INFORMATIONS GENERALES ET CARACTERISTIQUES	3
CHAP. 3.	INSTRUCTIONS POUR LA SECURITE	7
CHAP. 4.	TRANSPORT, MISE EN ROUTE ET EMPLOI	8
CHAP. 5.	RECHERCHE DEFAILLANCES ET NETTOYAGE	11
CHAP. 6.	ELIMINATION	13
CHAP. 7.	MATERIAUX DE CONSTRUCTIONS	13

GARANTIE

La machine est garantie 12 (douze) mois dès la date de la vente.

La garantie couvre les réparations des machines achetées chez les points de vente autorisés, au cas où l'on démontrerait qu'elles sont défectueuses dans les matériaux ou dans l'assemblage, aux conditions établies ci-de suite:

1. par garantie l'on entend le remplacement gratuit de toutes les pièces qui se sont révélées défectueuses de fabrication. La garantie déchoit si elle n'est pas accompagnée de ticket de caisse ou facture attestant l'achat et pour les cas suivants:
 - a. effraction de la machine ou endommagement du même dû à incurie;
 - b. utilisation de la machine avec des modes non conformes aux avertissements indiqués sur le mode d'emploi;
 - c. endommagements provoqués par la non aptitude de l'environnement dans lequel l'appareil opère et par des phénomènes non dépendants du fonctionnement normal de la machine (irrégularité des valeurs tension et fréquence dans l'installation de réseau);
 - d. interventions de réparation effectuées par des personnes ou centres non autorisés par le fabricant,
2. la demande d'intervention en garantie devra être effectuée uniquement à des points de vente ou laboratoires autorisés;
3. la machine devra être rendue en port franc au constructeur pour la réparation, les frais de transport sont toujours à la charge du destinataire,
4. le remplacement de la machine et aussi le prolongement de la garantie suite à une intervention pour panne sont exclus;
5. le fabricant ne répond pas pour des dommages directs ou indirects de n'importe quelle nature à des personnes ou choses pour l'emploi impropre de la machine ou pour emploi manqué pendant le temps nécessaire pour les réparations.

MODELE	TS 8 / TI 8 / TG 8 / TGI 8 / GM
---------------	--

Notice d'utilisation	
Edition	Novembre 2014

CHAP. 1. ORGANISATION DU CONTENU ET MODALITES DE CONSULTATION

BUT DE LA NOTICE D'UTILISATION

IMPORTANCE DE LA NOTICE D'UTILISATION

La présente notice d'utilisation doit être considérée comme **partie intégrante de la machine**:

1. elle doit être gardée pour toute la vie de la machine.
2. Elle doit accompagner la machine en cas de cession de la même.
3. Outre à rapporter tous les renseignements utiles pour les opérateurs, contient (recueillis en des chapitres spécifiques) les schémas électriques qui serviront pour des interventions d'entretien et réparation éventuelles.

En outre, la notice d'utilisation présente a été rédigée dans le but de fournir **des indications et avertissements** pour connaître la machine fournie, pour comprendre ses principes et limites de fonctionnement. Pour des doutes éventuels appeler le Centre d'Assistance Autorisé.

RESPONSABILITES

- Au cas où la notice d'utilisation présente subirait des endommagements ou serait égarée, il est possible en demander une copie au Centre d'Assistance Autorisé.
- La présente notice d'utilisation reflète l'état de la technique au moment de la construction de la machine; le constructeur se réserve le droit de mettre à jour la production et par conséquent d'autres éditions de la notice d'utilisation, sans l'obligation de mettre à jour les productions ou les manuels précédents, sinon en des cas particuliers concernant la santé et la sécurité des personnes.
- Prêter une attention particulière au contenu des risques résidus présents sur la machine et les prescriptions auxquelles les opérateurs doivent s'en tenir.
- Le constructeur se considère responsable pour la machine dans sa configuration originelle.
- Le constructeur ne se considère pas responsable pour les endommagements causés par l'emploi impropre ou non correct de la machine et de la documentation ou pour les endommagements causés par la violation de normes impératives, négligence, incapacité, imprudence et non respect de normes réglementaires de la part de l'employeur, de l'opérateur ou du manutentionnaire et pour chaque endommagement éventuel causé par un emploi irraisonnable, impropre et/ou erroné.
- Le constructeur ne se considère pas responsable pour les conséquences causées par l'emploi de parties de rechange non originelles ou de caractéristiques équivalentes.
- Le constructeur se considère responsable seulement pour les informations rapportées dans la version originelle de la notice d'utilisation en langue italienne.
- L'inobservance des prescriptions contenues dans cette notice d'utilisation provoquera la déchéance immédiate de la garantie.

Les responsables d'établissement, qui dirigent les activités doivent, dans le milieu des attributions et compétences respectives:

- Réaliser les mesures de sécurité prévues;
- Renseigner les opérateurs des risques spécifiques auxquels ils sont exposés et porter à leur connaissance les normes essentielles de prévention;
- Disposer et exiger que chaque opérateur observe les normes de sécurité et utilisent les moyens de protection mis à leur disposition ;
- Placer plus d'un opérateur, en contemporaine, au travail sur ce produit manufacturé.

CHAP. 2. INFORMATIONS GENERALES ET CARACTERISTIQUES

DESTINATION EMPLOI ET PARTIES CONSTRUCTIVES

Hachoir projeté pour être utilisé avec une grille dont les trous sont $\leq 8\text{mm}$.

L'hache-viande -râpe ci-de suite appelé "machine", est projeté pour:

1. Avec le groupe broyage placé d'un côté, pour broyer, réduire de dimension **de la viande fraîche non congelée ou non surgelée, par des outils de découpage** pour obtenir du ragoût, des svizzere, des rissoles et des saucissons. La viande doit être sans os, ou autres parties de consistance différente de la viande.
2. Avec le groupe râpe placé du côté de la machine, pour **râper du fromage dur, du pain et des biscuits**.

Dans le groupe broyage, la machine est composée d'un moteur électrique inséré dans une fusion unique (corps machine base).

Dans quelques versions, la fusion peut être couverte par un capot (corps machine caréné).

La viande à broyer est chargée manuellement dans la trémie de chargement, placée dans la zone supérieure de la machine et, toujours manuellement et à l'aide du pilon, elle est introduite dans le col de broyage vers la vis d'Archimède.

La trémie est bloquée au col de la machine. Le pilon est en matériau plastique adapte au contact avec des produits alimentaires.


Le groupe de broyage est de type Enterprise et de série est fourni d'une grille dont les trous sont de 6mm.

Le tablier à sa fois est pressé contre le couteau par le petit volant inséré sur la bouche du groupe de broyage. Le groupe de broyage est démontable, tous les matériaux à contact direct avec le produit alimentaire sont conformes aux normes hygiéniques pour aliments en vigueur. Dans le groupe râpe, le moteur employé pour la rotation de la râpe, est le même employé dans le groupe broyage. Le produit à râper, est chargé manuellement dans la bouche râpe placée dans la zone supérieure de la machine et toujours manuellement, en actionnant le presseur à l'aide de son manche, le produit est poussé contre le rouleau râpe.

Le chargement du produit doit être fait en quantité modérée pour éviter que, en baissant le presseur la machine démarre, à cause du micro-interrupteur de sécurité placé dans le groupe du presseur.

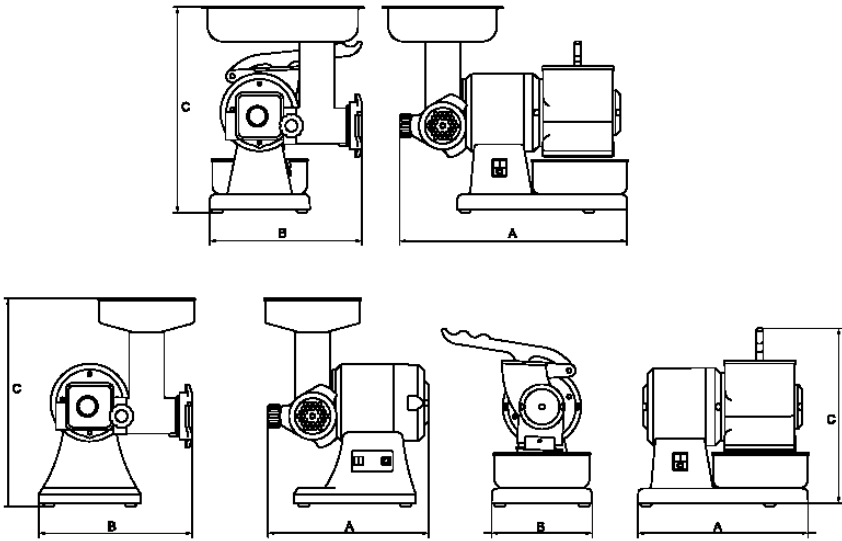
Le rouleau râpe, qui peut être poinçonné ne peut pas être enlevé de la machine.

La machine est douée de plaquette d'identification sur laquelle elles sont rapportées les données suivantes:

	
Mod.	Hp
Nr.	kW
1N PE AC. 230V 50Hz	A
Kg.	2011
	kA

[fac simile]

DONNEES TECHNIQUES ET CONSTRUCTIVES

DONNEES TECHNIQUES	MODELE				
	TS 8	TI 8	TG 8	TGI 8	GM
Puissance moteur (kW) / (Hp)	0.38/ 0,5	0.38/ 0,5	0,38/ 0,5	0.38/ 0,5	0.38/ 0,5
Dimension intérieure bouche broyage (mm)	60	60	60	60	---
Dimension intérieure bouche râpe (mm)	---	---	110 x 65	110 x 65	110 x 65
Production horaire hache-viande (kg/h)	20	20	20	20	---
Production horaire râpe (kg/h)	---	---	30	30	30
Masse (kg)	9	10	10	12	8
Dimensions encombrement: A x B x C (mm)	270 x 260 x 360	270 x 280 x 350	380 x 260 x 360	400 x 280 x 360	280 x 170 x 310
					
Niveau de puissance acoustique continu équivalent pondéré A	Inférieur à 70dBA				
Nature du courant - Fréquence	Cfr. plaque de la machine				
Courant à pleine charge	Cfr. plaque de la machine				
Tension nominale d'emploi	Cfr. plaque de la machine				
Tension des circuits auxiliaires	AC 24V – DC 24V				
Masse et neutre	TT et TN				
Degré de protection	IP X3				
Lieu d'emploi	A l'intérieur				
Positionnement de la machine	Banc de travail employé dans le secteur alimentaire de hauteur comprise entre 900/1100mm du plan de piétement de porte adéquate, avec un espace libre de circulation d'au moins 800mm				
Température air environnement max	+40°C				
Eclairage minimal demandé	500 lux				
Conformité directives de produit	2006/42/CE, 2006/95/CE et modifications successives et intégrations, Reg. 1935/2004				

GROUPE	MODELE				
	TS 8	TI 8	TG 8	TGI 8	GM
Corps machine base	●		●		●
Corps machine caréné (I)		●		●	
Groupe broyage	●	●	●	●	
Rouleau râpe poinçonné			●	●	●

GROUPE	EXEMPLE	
<ol style="list-style-type: none"> 1. trémie de chargement 2. corps machine 3. interrupteur de commande ON / OFF 4. pommeau bloque-bouche 5. volant de blocage 6. col de la machine 	<p style="text-align: center;">Hache-viande: corps machine base</p>	<p style="text-align: center;">Hache-viande: corps machine caréné (I)</p>
<ol style="list-style-type: none"> 1. trémie de chargement 2. corps machine 3. interrupteur de commande ON / OFF 4. pommeau bloque-bouche 5. volant de blocage 6. col de la machine 7. manche presseur 8. bouche râpe 9. collecteur de ramassage 	<p style="text-align: center;">Hache-viande/râpe: corps machine base</p>	<p style="text-align: center;">Hache-viande/râpe: corps machine caréné (I)</p>
<ol style="list-style-type: none"> 1. corps machine 2. interrupteur de commande ON / OFF 3. manche presseur 4. bouche râpe 5. collecteur de ramassage 	<p style="text-align: center;">Râpe: corps machine base</p>	
<p>Groupe broyage</p> <ol style="list-style-type: none"> 1. bouche de broyage 2. vis d'Archimède 3. couteau de découpage 4. plaque trouée 5. volant de blocage 		

EMPLOI NORMAL, EMPLOI IMPROPRE, EMPLOI NON CORRECT OU INTERDIT

La machine décrite dans la notice d'utilisation présente est prévue pour être conduite **par un seul opérateur** formé et informé sur les risques résidus, mais avec les compétences, en matière de sécurité, des préposés à l'entretien.

Dans son **EMPLOI NORMAL**, et raisonnablement prévisible, la machine peut être utilisée seulement pour:

1. **avec le groupe broyage**, pour triturer, réduire de dimension **de la viande fraîche non congelée ou non surgelée**, à l'aide des outils de découpage pour obtenir du ragoût, des svizzere, des rissoles et ensachés. La viande doit être sans os, ou autres parties de consistance différente de la viande.
2. **Avec le groupe râpe**, pour râper du fromage dur, pain et biscuits.

La machine ne doit pas être utilisée **DE FAÇON IMPROPRE**; en particulier:

1. Elle ne doit pas être employée pour emplois domestiques,
2. elle ne doit pas être mise en marche avec des paramètres différentes de ceux qui sont rapportés dans la table des caractéristiques techniques,
3. pour chaque emploi de la machine avec des modalités différentes de celles indiquées dans la notice d'utilisation présente, le constructeur en décline toute responsabilité,
4. l'utilisateur est responsable des dommages résultant de la non observance des conditions d'exercice concordées en siège de spécification technique et de confirmation de commande,
5. **le groupe broyage ne doit pas marcher à vide; quand l'on utilise le groupe râpe, désassembler le groupe broyage**, ne pas forcer ou détériorer volontairement ni enlever ou cacher les étiquettes.
- 6.

La machine ne doit pas être utilisée **DE FAÇON NON CORRECTE ou INTERDITE** puisque l'on pourrait causer des dommages ou des blessures pour l'opérateur; en particulier:

1. il est interdit **de déplacer la machine** quand elle est branchée à l'alimentation électrique;
2. il est interdit **de tendre le câble d'alimentation électrique ou la machine** pour débrancher la fiche d'alimentation,
3. il est interdit **de placer des poids** sur la machine ou sur le câble d'alimentation électrique,
4. il est interdit **de placer le câble d'alimentation électrique** sur des parties coupantes ou avec danger d'ustion,
5. il est interdit l'emploi de la machine avec le **câble d'alimentation électrique ou les dispositifs de commande** endommagés et non intègres;
6. il est interdit **de laisser la machine arrêtée** avec le câble d'alimentation électrique branché à la fiche d'alimentation,
7. il est interdit **de laisser la machine chargée sans surveillance**;
8. il est interdit **d'introduire n'importe quel type d'objet** à l'intérieur de la calotte de ventilation du moteur;
9. il est interdit de **positionner la machine sur des objets différents d'un banc de travail** employé dans le secteur alimentaire de hauteur comprise entre 900 - 1100mm du plan de piétinement,
10. il est interdit **d'introduire n'importe quel type d'objet** sous le bâti de la machine ou positionner des chiffons ou autre parmi les pieds d'appui de la machine et le banc de travail,
11. il est interdit l'emploi de **substances inflammables, corrosives ou nuisibles pour le nettoyage**,
12. il est interdit **de plonger la machine** dans l'eau ou autres liquides;
13. il est interdit l'emploi à un **personnel non autorisé** et avec des vêtements différents de ceux indiqués pour l'emploi,
14. il est interdit **d'introduire dans le col de broyage et dans la bouche râpe des produits ou des objets ayant des caractéristiques** différentes de celles indiquées dans l'emploi normal, tels que par ex. os, viande congelée, produits non alimentaires, ou autres objets tels qu' écharpes, etc...,
15. il est interdit **d'introduire dans la zone de sortie du produit râpé, n'importe quel objet**, tel que par ex. des lames de couteaux, etc...,
16. il est interdit **d'enlever la trémie pendant** l'usinage de la machine ou de toute façon quand on a déposé du produit alimentaire à usiner,
17. il est interdit **de desserrer le pommeau de blocage de la bouche ou le volant de blocage** soit pendant l'usinage et de toute façon **avant 5 sec** de la commande d'arrêt de la machine,
18. il est interdit le fonctionnement **avec les abris de protection et fixes non bloqués correctement ou enlevés**;
19. il est interdit l'**enlèvement partiel** des protections et des signalisations de danger.
20. Il est interdit le fonctionnement sans que toutes les **mesures concernant l'élimination des risques résidus** aient été adoptées de la part de l'utilisateur,
21. Il est interdit **de fumer ou utiliser des appareils à flamme libre** et manipuler des matériaux incandescents, au moins qu'on n'ait pas adopté des mesures de sécurité adaptées,
22. Il est interdit d'actionner ou **régler les dispositifs de contrôle et de blocage tels que pommeaux ou semblables** soit pendant le fonctionnement de la machine, soit si l'on n'est pas autorisé.
23. **Il est interdit d'utiliser des grilles dont les trous sont > à 8mm.**

L'utilisateur est de toute façon responsable des dommages résultants de la non observance des conditions d'emploi normal spécifiées. Pour des doutes éventuels s'adresser au Centre d' Assistance Autorisé.

CHAP. 3. INSTRUCTIONS POUR LA SECURITE

AVERTISSEMENTS CONCERNANT LES RISQUES RESIDUS

RISQUE RESIDU DU A L'ENLEVEMENT DES ABRIS FIXES, INTERVENTIONS SUR DES PARTIES CASSEES/USUREES

Pour n'importe quelle éventualité **l'opérateur ne doit jamais essayer d'ouvrir ou enlever un abri fixe ou forcer un dispositif de sécurité.**

Dans la phase d'outillage, d'entretien et de nettoyage, et pendant toutes les opérations manuelles ultérieures qui se déroulent en introduisant les mains ou d'autres parties du corps dans les aires dangereuses de la machine, il reste un risque résidu dû surtout à:

1. **Collisions avec des parties constructives de la machine,**
2. **frottement et/ou abrasion avec des parties rêches de la machine,**
3. **piqûre avec les parties pointues,**
4. **découpage avec parties affilées des outils.**

En outre, l'opérateur et le manutentionnaire **doivent être instruits pour l'intervention liée aux opérations manuelles avec des abris fixes ouverts**, ils doivent être instruits sur les risques liés conséquents et doivent être autorisés par une personne responsable.

DISPOSITIFS DE PROTECTION SUR LA MACHINE

Les protections et les dispositifs de sécurité de la machine ne doivent être enlevés.

Au cas où ils devraient être enlevés pour des exigences d'entretien extraordinaire **l' on devra immédiatement adopter des mesures adaptées à mettre en évidence et à réduire à la limite minimum possible le danger qui en dérive.** La remise en place de la protection ou du dispositif de sécurité doit être effectuée dès que les raisons qui ont rendu nécessaire leur enlèvement temporaire seront cessées.

Les organes de transmission de la machine sont complètement isolés à l'aide de protections fixes qui ne permettent l'accès à aucune chaîne cinématique.

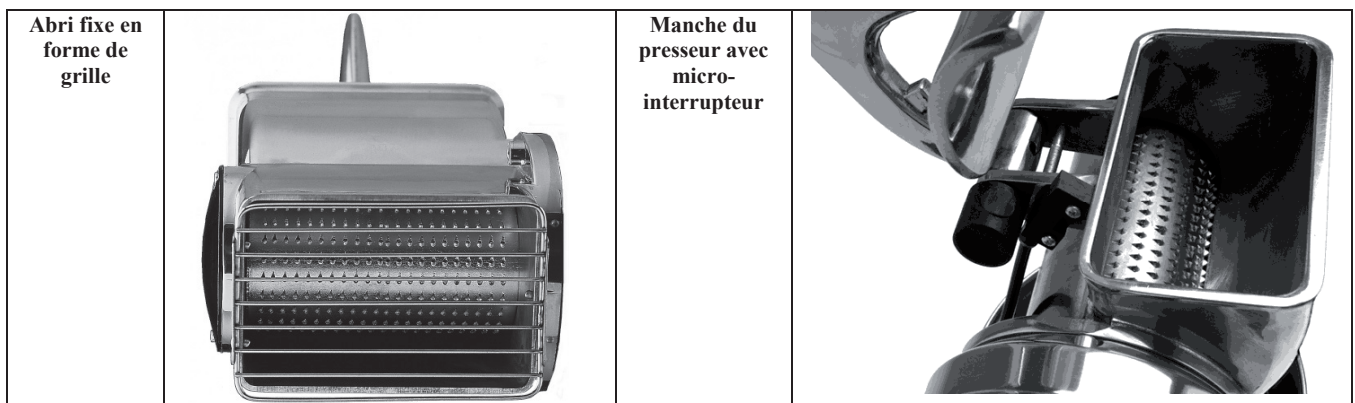
Pour toutes les **fonctions de sécurité** comprenant les parties des systèmes de commande et contrôle liées à la sécurité, on a utilisé des composants et des principes de sécurité et composants bien essayés.

Groupe broyage:

1. Compte tenu des modalités d'emploi de la machine et de sa destination d'emploi, les éléments mobiles ne sont pas isolés par des abris fixes, abris mobiles ou autres dispositifs de sécurité.
2. Les parties du groupe de broyage résultent placées à des distances des points d'accès telles qu'il n'est pas possible atteindre des points dangereux.

Groupe râpe:

1. Compte tenu des modalités d'emploi de la machine et de sa destination d'emploi, les éléments mobiles ne sont pas isolés par des abris fixes, abris mobiles ou autres dispositifs de sécurité.
2. Sur le groupe du manche et du presseur il est placé un micro-interrupteur qui arrête la rotation du rouleau râpe quand il est possible accéder à travers la bouche râpe;
3. Dans la zone inférieure du groupe râpe à correspondance du déversement du produit râpé est présent un abri fixe en forme de grille qui empêche l'accès des doigts vers le rouleau râpe en fonction.



CHAP. 4. TRANSPORT, MISE EN ROUTE ET EMPLOI

La gestion de la machine est consentie uniquement à un personnel autorisé et opportunément instruit et doué d'une suffisante expérience technique. **Avant de démarrer la machine** effectuer les opérations suivantes:

- Lire attentivement la documentation technique,
- Connaître quelles protections et dispositifs d'urgence sont disponibles sur la machine, leur localisation et leur fonctionnement.

L'emploi non autorisé de parties commerciales et accessoires faisant partie des protections et des dispositifs de sécurité peut provoquer des défaillances et des situations de danger pour le personnel opérateur. **L'opérateur doit en outre** avoir reçu une formation adéquate.

ENLEVEMENT EMBALLAGE - MODALITES D'OUVERTURE

Les machines sont emballées de manière à éviter l'infiltration / pénétration de liquides, de matières organiques ou d'êtres vivants: ça est représenté par un **revêtement en polyéthylène tout autour de la machine**, et le tout inséré dans une **boîte en carton** de dimension adéquate. Les espaces vides dans la boîte sont occupés par le **matériel de remplissage**.

Ne pas disperser l'emballage dans l'environnement, mais le conserver pour des transports éventuels ou le destiner aux agences de recyclage.

L'évaluation et la gestion dans les buts de la compatibilité biologique des produits employés dans l'emballage sont de compétence et de responsabilité de l'utilisateur.

C'est à l'employeur **d'être à connaissance des lois en vigueur à ce propos dans son pays et opérer de manière à obtempérer à ces législations.**

Il est interdit et en outre passible de sanctions, abandonner la machine et l'équipement électrique dans l'environnement.

OPERATIONS PRELIMINAIRES DE PREPARATION

ALIMENTATION ELECTRIQUE

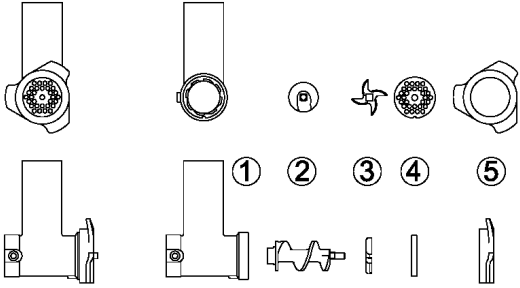
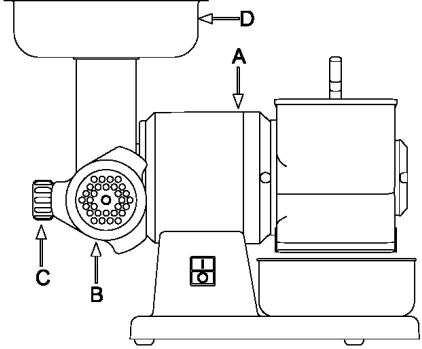
Le branchement de l'alimentation électrique doit être en conformité avec **la législation pertinente du pays dans lequel elle est utilisée.**

L'alimentation électrique doit être toujours du type et avoir une intensité correspondante aux spécifications indiquées dans la plaque de la machine.

ASSEMBLAGE/ DESASSEMBLAGE DU GROUPE BROYAGE

Les opérations d'assemblage / désassemblage de n'importe quel organe de la machine **doivent être effectuées à machine arrêtée et avec la fiche débranchée de la prise**, c'est-à-dire avec le dispositif de sectionnement en OFF.

L'assemblage du **groupe broyage** sur la machine se déroule en deux phases (de façon-exemple est rapporté le hache-viande-râpe avec corps machine base).

<p><u>La phase nr. 1</u> pour le groupe broyage s'effectue sur un banc de travail en suivant l'ordre rapporté ci-dessous:</p> <ol style="list-style-type: none">1. Introduire dans l'embout (1) dans l'ordre: vis d'Archimède (2), couteau de découpage orienté comme en figure et emboîté dans le pion d'entraînement (3), plaque trouée (4) emboîtée dans le logement de l'embout (1);2. Visser et serrer le volant de blocage (5).	
<p><u>La phase nr. 2</u> s'effectue sur la machine:</p> <ol style="list-style-type: none">1. Introduire jusqu'à la butée le groupe broyage complet (B) sur la machine (A);2. Serrer le pommeau bloque-bouche (C) jusqu'à ce que le groupe broyage (B) soit bloqué sur la machine (A);3. introduire la trémie (D) dans le col de la machine4. Dans ces conditions la machine est prête pour travailler.	

Les activités de désassemblage du groupe de broyage de la machine, se déroulent en suivant à rebours les phases d'assemblage décrites en précédence, en partant de la phase nr. 2 et passant à la phase nr. 1.

Pour une meilleure efficacité et durée de la plaque et du couteau on conseille de **les tenir couplés.**

DESCRIPTION DU FONCTIONNEMENT

Les dispositifs de commande sont projetés et construits de manière à être très sûrs et fiables et résistants aux sollicitations normales de service, aux efforts prévisibles et aux agents externes. En outre, ils sont clairement visibles, repérables et marqués par un marquage adapté. Ci-de suite ils sont rapportés les principaux **dispositifs de commande** :

TYPE	REFERENCE/ DESCRIPTION
Poussoir	“0” / Poussoir pour la commande d’arrêt de la machine
Poussoir	“1” / Poussoir pour la commande de démarrage de la machine

DEMARRAGE

Le démarrage de la machine est possible seulement **avec une action volontaire** sur le **dispositif de commande prévu dans ce but**: poussoir “1” pour la commande de démarrage de la machine.

ARRET

Pour la commande d’arrêt actionner le poussoir “0”. En cas d’ **arrêt momentané ou prolongé**, avant de remettre en fonction la machine, il faut enlever tous les produits alimentaires dans la machine: suivre les indications concernant le désassemblage du groupe de broyage.

SECURITE DE FONCTIONNEMENT

Au cas où la machine serait sous effort ou serait soumise à des temps de fonctionnement trop longs ou soumise à surcharge, la même s’arrête immédiatement pour l’entrée en fonction de la protection thermique. Dans ce cas-là **attendre qu’elle se soit complètement refroidie** avant de procéder à la fonction de démarrage.

ABSENCE DE TENSION

En cas d’ interruption de l’alimentation électrique ou si la machine est débranchée du réseau électrique, celle dernière peut être redémarrée seulement en suivant la fonction de démarrage, **après le retour de l’alimentation électrique ou le rebranchement au réseau électrique**.

OUVERTURE DU PRESSEUR

En relevant par le manche le presseur du groupe râpe, la machine s’arrête immédiatement pour l’entrée en fonction du micro-interrupteur de sécurité.

La machine peut être redémarrée seulement en baissant le presseur jusqu’à l’ hauteur qui ne permet pas l’introduction des doigts vers le rouleau râpe et en suivant successivement la fonction de démarrage.

CONTROLES ET VERIFICATIONS AVANT LA MISE EN MARCHE

VERIFICATION / CONTROLE	MODALITES ET CONTROLES
<p><u>S’assurer que:</u></p> <ul style="list-style-type: none"> ➤ Il n’y ait sur la machine, dans la trémie, dans le col de la machine, dans la bouche râpe et à correspondance de la zone de débordement du produit râpé des objets étrangers 	<p>Contrôle visuel des parties indiquées, pour s’assurer de l’absence d’objets ou corps étrangers tels que par ex. différents outils, chiffons, etc... et qu’il n’y ait pas de toute façon de produit alimentaire.</p> <p>En cas de présence pourvoir à leur enlèvement.</p>
<p><u>S’assurer du nettoyage:</u></p> <ul style="list-style-type: none"> ➤ Des parties intérieures du col de la machine et du groupe de broyage ➤ Du poussoir ➤ De la bouche râpe, du presseur et du rouleau râpe ➤ De la surface extérieure de la machine 	<p>Toutes les surfaces des parties indiquées, avant l’emploi de la machine doivent être contrôlées visuellement pour s’assurer de leur nettoyage.</p> <p>Pour le contrôle visuel des parties intérieures du groupe broyage, pourvoir à son désassemblage.</p> <p>En cas de présence de moisissures ou autre type de saleté, pourvoir à la procédure de nettoyage selon les indications dont il est question au chapitre 5</p>
<p><u>S’assurer de l’intégrité:</u></p> <ul style="list-style-type: none"> ➤ Des protections fixes, ➤ De la trémie de chargement, ➤ Du col de la machine, ➤ De la bouche râpe, du presseur et du rouleau râpe ➤ Du corps de la machine 	<p>Tous les abris fixes, etc.. doivent dérouler la fonction pour laquelle ils ont été prévus.</p> <p>Contrôle visuel des parties indiquées pour s’assurer de leur intégrité dans la partie externe de leur surface.</p> <p>Les parties doivent être de toute façon remplacées aux premiers signaux d’érosion ou rupture.</p>
<p><u>S’assurer de la fonctionnalité:</u></p> <ul style="list-style-type: none"> ➤ Des parties du système de commande / contrôle concernant la sécurité; ➤ Des dispositifs de commande. 	<p>Tous les dispositifs doivent dérouler la fonction pour laquelle ils ont été prévus. Commander directement les dispositifs afin que ceux déterminent la fonction attendue.</p> <p>Les actionneurs et toutes les parties doivent être de toute façon remplacés aux premiers signes d’érosion ou rupture.</p>
<p><u>S’assurer de l’absence:</u></p> <ul style="list-style-type: none"> ➤ De bruit étranges après la mise en marche 	<p>Pendant la vérification de la fonctionnalité des dispositifs de commande, au cas où il y auraient des bruits étranges, dus par exemple à un grippage ou ruptures mécaniques, arrêter immédiatement la machine, et activer le service d’entretien.</p>
<p><u>S’assurer de l’absence:</u></p> <ul style="list-style-type: none"> ➤ De traces d’huile soit sur le banc d’appui de la machine soit dans le vis d’Archimède 	<p>Soit pendant l’usinage soit à la fin de chaque usinage, soit au moment de l’assemblage du groupe de broyage, contrôler l’absence de traces d’huile dans les parties indiquées. Au cas où il y auraient des petites gouttes de fluide, arrêter immédiatement la machine, et activer le service d’entretien.</p>

Pour n'importe quel type d'intervention ou pour le remplacement des pièces qui résultent endommagées, **activer le service d'entretien**. Le remplacement éventuel doit être effectué avec des produits originaux du constructeur ou au moins de qualité, sécurité et caractéristiques équivalentes. Pour des approfondissements contacter le Centre d'Assistance Autorisé.

MISE EN SERVICE

L'opérateur de la machine peut mettre en service la machine, en suivant dans l'ordre les indications rapportées ci-dessous:

1. Issue positive des contrôles dont il est question dans les opérations préliminaires de préparation,
2. Issue positive des contrôles dont il est question dans l'alimentation électrique,
3. Branchement de la fiche dans une prise de courant opportune,
4. Pour le fonctionnement du **GROUPE BROYAGE**:
 - a. Issue positive des contrôles dont il est question à l' assemblage du groupe de broyage,
 - b. Issue positive des contrôles dont il est question dans la correcte rotation du vis d'Archimède,
 - c. Issue positive des contrôles / vérifications avant la mise en marche,
 - d. Issue positive des contrôles finalisés à vérifier le respect de toutes les conditions de sécurité,
 - e. Baisser dans sa position la plus basse possible le manche du presseur du groupe râpe,
 - f. Positionner une poche de vidange dans la zone antérieure de la machine à correspondance de la zone de sortie de la viande broyée,
 - g. Se positionner dans la zone gauche de la machine et démarrer la machine en actionnant le dispositif de commande de start "I",
 - h. Introduire manuellement le produit alimentaire dans le col de la machine et le pousser vers le vis d'Archimède en utilisant le pilon en dotation,
 - i. A la fin de l'introduction du produit alimentaire, c'est-à-dire quand de la plaque trouée ne déborde plus le produit, arrêter la machine en actionnant le dispositif de commande de stop "0".
5. Pour le fonctionnement du **GROUPE RAPE**:
 - a. Désassemblage du groupe de broyage,
 - b. Issue positive des contrôles dont il est question dans la correcte rotation du rouleau râpe,
 - c. Issue positive des contrôles / vérifications avant la mise en marche,
 - d. Issue positive des contrôles finalisés à vérifier le respect de toutes les conditions de sécurité,
 - e. Positionner une poche de vidange dans la zone antérieure de la machine en correspondance de la zone de sortie du produit râpé,
 - f. Se positionner dans la zone gauche de la machine et démarrer la machine en actionnant le dispositif de commande de start "I",
 - g. Introduire manuellement le produit alimentaire dans la bouche râpe et le pousser vers le rouleau râpe en baissant le manche du presseur,
 - h. A la fin de l'introduction du produit alimentaire, c'est-à-dire quand dans les poches ne se dépose plus de produit, arrêter la machine en actionnant le dispositif de commande de stop "0".

On recommande de ne pas faire fonctionner la machine à vide, sans le produit alimentaire.

On recommande de ne pas faire fonctionner le groupe râpe avec le groupe broyage assemblé.

COUPURE

En succession, les opérations de coupure doivent suivre ce qui est indiqué ci -de suite:

1. Avant la coupure attendre la conclusion du débordement du produit alimentaire de la plaque trouée ou dans la zone inférieure du rouleau râpe,
2. Arrêter la machine en actionnant le dispositif de commande de stop "0",
3. Débrancher la fiche de la machine de la prise d' alimentation,
4. Exécuter les interventions de nettoyage.

DEBLOCAGE EN CAS DE DIFFICULTE

Pendant l'usinage, c'est-à-dire pendant la rotation du vis d'Archimède ou du groupe râpe, à cause:

1. De l'introduction de produits alimentaires avec des parties non homogènes, telles que par ex. os, ou autre,
 2. De l'introduction de produits excessivement durs et secs,
- la machine pourrait se bloquer.

La même situation peut se vérifier suite à une défaillance de l'alimentation électrique, c'est-à-dire quand la machine est arrêtée avec le produit alimentaire à son intérieur.

Pour pouvoir reprendre normalement l'usinage:

1. Si le bloc s'est vérifié dans le groupe broyage, celui-ci doit être désassemblé: **le désassemblage ne doit pas être effectué en desserrant le volant de blocage, mais en desserrant le pommeau de blocage de la bouche de broyage**,
2. Si le blocage s'est vérifié dans le rouleau râpe, il faut enlever manuellement le produit alimentaire bloqué.

CHAP. 5. RECHERCHE DEFAILLANCES ET NETTOYAGE

RECHERCHE DEFAILLANCES OU AVARIES ET DEBLOCAGE ELEMENTS MOBILES

Ci de suite elles sont indiquées les interventions pour la **recherche défaillances ou avaries et déblocage éléments mobiles** qui peuvent être exécutées par les **manutentionnaires**.

TYPE	POTENTIELLE/S CAUSA/S	MODALITES ET CONTROLES
Manque de tension de réseau	Black out general	Contacter l'organisme distributeur de l'énergie électrique
	Intervention de fusibles ou magnétothermiques placés en amont de la ligne d'alimentation de la machine	Après avoir éliminé les causes qui ont déterminé l'intervention du dispositif de protection, le rétablir. En cas de persistance du problème contacter un technicien électricien.
Interruption de fonctionnement	Intervention du dispositif de protection intérieur à la machine	Contacteur un technicien électricien: après avoir éliminé les causes qui ont déterminé l'intervention d'un dispositif de protection, rétablir-le. En cas d'intervention de fusibles , remplacer-les par des types du même modèle, taradage et courbe d'intervention.
	Relevage du manche du groupe râpe	En relevant le manche du presseur du groupe râpe, la machine s'arrête immédiatement pour l'entrée en fonction du micro-interrupteur de sécurité. Baisser le presseur jusqu'à l'hauteur qui ne permet pas l'introduction des doigts vers le rouleau râpe et démarrer la machine.
	Cause/s non identifiables	Contacteur directement le <u>Centre d'Assistance Autorisé</u>
La machine ne marche pas: le vis d'Archimède ou le rouleau râpe ne tournent pas	Manque de tension d'alimentation.	Contrôler et rétablir l'énergie électrique.
	Dispositifs de sectionnement placés sur "OFF".	Tourner les dispositifs de sectionnement dans la position "ON"
	Fusibles intervenus ou magnétothermiques non marchant.	Faire remplacer les fusibles intervenus, contrôler l'état des interrupteurs magnétothermiques.
	Fonctionnement manqué du poussoir de marche	Contrôler l'efficacité du poussoir de START et éventuellement contacter directement le <u>Centre d'Assistance Autorisé</u> .
	Intervention thermique due à surchauffe	Attendre le refroidissement complet avant le redémarrage de la machine
	Micro-interrupteur en panne	Contacteur directement le <u>Centre d'Assistance Autorisé</u>

FRANÇAIS

NETTOYAGE

Il est interdit de nettoyer à la main les organes et les éléments en mouvement.

Toutes les interventions de nettoyage doivent être mises à effet seulement et exclusivement **après avoir déchargé la machine avec le produit alimentaire en usinage et l'avoir isolée de la source d'alimentation électrique et d'énergie extérieures.**

La machine, l'appareillage électrique et les composants à bord machine, **ne doivent jamais être lavés en utilisant de l'eau, surtout sous forme de jets de n'importe quelle nature et quantité; donc, sans "seau" ni "caoutchouc" ni "éponge"**. Ne jamais placer directement la machine dans l'évier ou sous le robinet.

La classification du niveau d'hygiène de la machine et des outillages associés, pour l'emploi prévu, est 2 (deux): machine qui, suite à une évaluation du risque d'hygiène, est conforme aux qualités requises des normes internationales applicables, mais demande un désassemblage programmé pour le nettoyage.

FREQUENCE	PERSONNEL	MODES
A la fin de chaque période de travail et de toute façon avant l'emploi journalier	Opérateur	<p>Toutes les surfaces et les parties de la machine destinées à venir en contact avec le produit alimentaire, c'est-à-dire, les zones alimentaires (surface intérieure de la trémie, du col de la machine et du groupe de broyage, le pilon, le presseur, la bouche râpe et le rouleau râpe) et les zones éclaboussures (surface extérieure de la machine), doivent être nettoyées et désinfectées avec les modes rapportés ci-dessous. Pour les activités de désassemblage du groupe de broyage, voir les descriptions précédentes.</p> <ul style="list-style-type: none"> ➤ Ecrouter les surfaces des résidus de produit alimentaire éventuels (par ex. à l'aide de gratteurs en plastique); ➤ Nettoyer toutes les surfaces de la zone alimentaire et zone éclaboussures avec un drap mou mouillé (non gouttant) avec un détergent dilué en eau chaude (aussi du normal savon pour la vaisselle va très bien). Ne pas les faire tremper. Avec une éponge nettoyer l'intérieur de la bouche de broyage. Utiliser des produits spécifiques pour acier, ou pour l'aluminium: ils doivent être liquides (non en crème ou pâtes de toute façon abrasives) et surtout ne doivent pas contenir de chlore. Contre les substances grasses on peut utiliser l'alcool dénaturé. ➤ Rincer avec de l'eau chaude nettoyée et ensuite sécher toutes les surfaces de la zone alimentaire et zone éclaboussures avec un drap mou qui ne perde pas de poils.

	<ul style="list-style-type: none"> ➤ Seulement les parties en acier INOX du groupe broyage peuvent être lavées même au lave-vaisselle, tandis que celles en aluminium ou fonte indiquées dans le tableau suivant, ne peuvent pas être lavées au lave-vaisselle. ➤ Le remontage du groupe de broyage doit être effectué seulement suite à une exigence d'usinage, laisser les pièces enveloppées dans un drap mou sec qui ne perde pas de poils. <p><u>DESINFECTION</u></p> <ul style="list-style-type: none"> ➤ Utiliser des produits détergents à PH neutre non oxydants ➤ Si vous utilisez de l'eau chaude (> 60 °C) n'utilisez que de l'eau déminéralisée ➤ Si vous utilisez d'autres produits, ceux-ci doivent être adéquats au type de matériel ➤ Pour les machines avec des parties en aluminium ou fonte (voyez tableau suivant) il est possible d'utiliser des produits à base d'acide paracétique. <p><u>PERIODES DE LONGUES INACTIVITE</u></p> <ul style="list-style-type: none"> ➤ Pendant les <u>périodes de longue inactivité</u> de la machine pourvoir à passer énergiquement sur toutes les surfaces en acier (spécialement si inox) un drap imbibé d'huile de vaseline de manière à étaler un voile protectif. <p><u>CHOSSES A NE PAS FAIRE AVANT OU PENDANT LE NETTOYAGE:</u></p> <ul style="list-style-type: none"> ➤ Accéder aux éléments mobiles sans s'être <u>préventivement assurés de leur arrêt</u>; ➤ Accéder aux éléments mobiles sans l'avoir <u>arrêtée en sécurité garantie</u> (blocage dans la position de zéro des dispositifs de sectionnement de l'alimentation électrique) <p><u>PRODUITS A NE PAS UTILISER:</u></p> <ul style="list-style-type: none"> ➤ <u>Air comprimé avec des jets vers les zones avec dépôts de farine</u> et en général vers la machine; ➤ <u>Appareils à vapeur</u>; ➤ <u>détergents qui contiennent du CHLORE (même si dilués)</u> ou ses composés tels que: l'eau de Javel, l'acide muriatique, des produits pour déboucher le tuyau de vidange, soude caustique, des produits pour le nettoyage du marbre, des décalcifiants en général, etc ... peuvent attaquer la composition de l'acier, en le tachant ou en l'oxydant irréparablement. Même seulement les exhalaisons des produits susmentionnés peuvent oxyder et en certains cas attaquer l'acier; ➤ <u>paille de fer, brosses ou disquettes abrasifs</u> réalisés avec d'autres métaux ou alliages (ex. acier commun, aluminium, laiton, etc...) ou des outils qui aient précédemment nettoyé d'autres métaux ou alliages, qui outre à griffer les surfaces. ➤ <u>détergents en poudre abrasifs</u>; ➤ <u>essence, solvants ou fluides inflammables et/ou corrosifs</u>; ➤ substances employées <u>pour nettoyer l'argent</u>.
--	--

TABLEAU D'IDENTIFICATION DE PRODUITS AVEC GROUPE BROUYAGE EN ALUMINIUM

MOD	ALUMINIUM (Codes)
TS8	FTSM101
TI8	FTSMI101
TG8	FTGM102
TGI8	FTGMI102

CHAP. 6. ELIMINATION



Le symbole de la benne à ordures barrée présent sur la machine signifie que le produit doit être séparé des autres déchets à la fin de sa durée de vie.



Dans le cas où vous décidez de ne plus utiliser la machine à cause de son ancienneté, d'un endommagement ou de l'usure, son déclassement doit être géré par un personnel spécialisé et équipé. Une fois les activités de démantèlement terminées, toutes les plaques d'identification et les documents doivent être détruits. L'élimination de la machine ne nécessite pas son broyage. Il suffit de déconnecter les groupes principaux qui composent la machine et les envoyer à la mise au rebut.

Ne pas jeter la machine dans les déchets mixtes mais l'apporter dans une déchetterie.

Les systèmes de collecte de la machine sont:

- Retrait par un consortium du distributeur
- Possibilité de livraison au distributeur de la machine dans le cas où vous achetez la même machine chez le même distributeur.

La machine ne contient aucune substance dangereuse aux effets potentiellement négatifs pour l'environnement et pour la santé de l'homme. Il est très important que les acheteurs s'engagent à réutiliser, recycler et trouver d'autres solutions afin de valoriser la machine. A ce propos, l'employeur est tenu de connaître les lois en vigueur dans son pays afin de bien respecter ces normes.



Il est interdit d'abandonner la machine et son équipement électrique dans la nature sous peine de sanctions.

-

CHAP. 7. MATERIAUX DE CONSTRUCTIONS

Selon des exigences de fonctionnement et de production, la machine peut être formée de différentes typologies de matériaux de constructions.

GROUPE	TIPOLOGIE MATERIAUX				
	Acier inox 18/8	Acier inox AISI 304	Acier inox AISI 440	Alumine pour aliments	Acier traité pour aliments
Corps machine et trémie	•			•	
Couteaux et plaque trouée			•		
Groupe broyage		•		•	
Rouleau râpe poinçonné		•			•
Presseur, manche, bouche râpe				•	

INHALT

KAP. 1.	INHALT UND BENUTZUNG DER BEDIENUNGSANLEITUNG	3
KAP. 2.	ALLGEMEINE INFORMATIONEN UND EIGENSCHAFTEN	3
KAP. 3.	SICHERHEITSANLEITUNGEN	7
KAP. 4.	TRASPORT, INBETRIEBNAHME UND ANWENDUNG	8
KAP. 5.	FEHLERSUCHE UND REINIGUNG	11
KAP. 6.	ENTSORGUNG	13
KAP. 7.	BAUMATERIAL	13

GARANTIE

Das Gerät besitzt eine Garantie über 12 (zwölf) Monate ab Verkaufsdatum.

Die Garantie deckt Reparaturen an Geräten, die bei einer anerkannten Verkaufsstelle erworben wurden, wenn nachgezeigt werden konnte, dass sie im Material oder in der Zusammensetzung Defekte aufweisen, unter den unten stehenden vereinbarten Bedingungen:

- unter Garantie versteht sich die kostenlose Ersetzung aller Teile, die Fabrikationsfehler aufweisen. Die Garantie verfällt, wenn weder ein Kassenzettel noch eine Rechnung vorgewiesen werden kann, welche den Kauf des Geräts nachweist, sowie in folgenden Fällen:
 - Beschädigung des Geräts durch Nachlässigkeit;
 - Anwendung des Geräts bei Bedingungen, die nicht den Hinweisen der vorliegenden Bedienungsanleitung entsprechen;
 - Durch Unangebrachtheit des Aufstellraums entstandene Schäden oder Schäden, die nicht vom normalen Betrieb des Geräts abhängig sind (Unregelmäßigkeit der Spannungswerte und Frequenz des Stromnetzes);
 - Reparaturen, die durch unbefugte Personen oder durch vom Hersteller nicht anerkannte Verkaufsstellen durchgeführt worden sind,
- Die Anfrage auf Garantieleistung soll ausschließlich bei den anerkannten Verkaufsstellen oder Werkstätten erfolgen;
- Das Gerät muss dem Hersteller für die Reparatur frei Hafem zugeschickt werden; die Transportkosten sind immer zu Lasten des Empfängers,
- Die Ersetzung des Geräts ist ausgeschlossen so wie die Verlängerung der Garantiedauer infolge eines Eingriffs wegen einer Störung;
- Der Hersteller übernimmt keine Haftung für direkte oder indirekte Schäden jeglicher Art an Personen oder Gegenständen, die bei Missbrauch des Geräts oder bei Nichtgebrauch während der für Reparaturen nötigen Dauer entstehen könnten.

MODELL	TS 8 / TI 8 / TG 8 / TGI 8 / GM
---------------	--

Bedienungsanleitung	
Ausgabe	November 2014

KAP. 1. INHALT UND BENUTZUNG DER BEDIENUNGSANLEITUNG

ZIEL DER BEDIENUNGSANLEITUNG

WICHTIGKEIT DER BEDIENUNGSANLEITUNG

Das vorliegende Bedienungshandbuch ist als **ganzheitlicher Teil des Geräts** zu betrachten:

1. Für die ganze Lebensdauer des Geräts muss es beim Gerät aufbewahrt werden.
2. Beim Verkauf des Geräts muss das Handbuch mit dem Gerät ausgeliefert werden.
3. Im Handbuch befinden sich neben allen für den Bediener nützlichen Informationen auch die Schaltpläne (in spezifischen Kapiteln zusammengefasst), welche für allfällige Wartungs- und Reparatureingriffe benötigt werden.

Außerdem wurde das vorliegende Handbuch mit dem Ziel erstellt, **Hinweise und Warnungen** bekannt zu geben zur besseren Kenntnis des Geräts, sowie der Grundlagen und Einschränkungen für dessen Betrieb. Bei Zweifeln wenden Sie sich bitte an die **anerkannte Kundendienststelle**.

HAFTUNG

- Falls das Handbuch beschädigt wird oder verloren geht, kann eine Kopie davon bei der **anerkannten Kundendienststelle** beantragt werden.
- Das vorliegende Handbuch **widerspiegelt den Stand der Technik** zum Zeitpunkt der Herstellung des Geräts; der Hersteller behält sich das Recht vor, die Produktion und dementsprechend die anderen Ausgaben des Handbuchs zu aktualisieren ohne Verpflichtung, frühere Produktionen oder Handbücher zu aktualisieren, außer in besonderen Fällen, die die Gesundheit und die Sicherheit von Personen betreffen.
- Besondere Aufmerksamkeit sollte den **Restrisiken** an dem Gerät und den Vorschriften für die Bediener gewidmet werden.
- Der Hersteller **ist verantwortlich für** das Gerät in seiner Original-Konfiguration.
- Der Hersteller **ist nicht verantwortlich für** Schäden, die durch Missbrauch oder falsche Anwendung des Geräts oder des Handbuchs entstehen könnten, ebenso wenig für Schäden die durch Nichtbeachtung von zwingenden Vorschriften, Nachlässigkeit, Unerfahrenheit, Unvorsichtigkeit oder Nichtbeachtung der Verordnungsbestimmungen seitens des Arbeitgebers, des Bedieners oder des Wartungstechnikers und für **eventuelle Störungen** durch unvernünftigen Gebrauch, Missbrauch und/oder unzumutbaren Gebrauch entstehen könnten
- Der Hersteller ist nicht verantwortlich für Folgen aus der Anwendung nicht originaler oder nicht gleichwertiger Ersatzteile.
- Der Hersteller ist nur verantwortlich für die in der italienischen Originalversion enthaltenen Informationen.
- Die Nichtbeachtung der in diesem Handbuch enthaltenen Vorschriften verursacht das sofortige Entfallen der Garantie. Die Werksverantwortlichen sind im Rahmen der ihnen zugeteilten Befugnisse und Kompetenzen für folgende Punkte zuständig:
 - Umsetzung der vorgeschriebenen Sicherheitsmaßnahmen;
 - Die Arbeiter über die spezifischen Risiken, denen sie ausgesetzt sind, und über die wichtigsten Schutz- und Vorsorgemaßnahmen unterrichten;
 - Anordnen und verlangen, dass die einzelnen Mitarbeiter die Sicherheitsvorschriften beachten und die Ihnen zur Verfügung gestellten Schutzausrüstungen benutzen;
 - Mehr als einen Mitarbeiter gleichzeitig auf dem Gerät arbeiten lassen.

KAP. 2. ALLGEMEINE INFORMATIONEN UND EIGENSCHAFTEN

ANWENDUNG UND BAUTEILE

Fleischwolf hergestellt und geplant um mit Scheiben, deren Löcher einen Durchmesser $\leq 8\text{mm}$ haben, benutzt zu werden.

Fleischwolf und Käsereibe, nachfolgend "Gerät" genannt, wurden zu folgenden Zwecken entwickelt:

1. über die **seitlich angebrachte Zerkleinerungseinheit** zur Zerkleinerung von **frischem, nicht tiefgekühltem oder eingefrorenem Fleisch mit Hilfe der Schnittwerkzeuge** für die Zubereitung von Hackfleisch, Hamburger, Fleischklößchen und Wurstwaren. Das Fleisch sollte keine Knochen oder andere von der Konsistenz des Fleisches abweichende Teile aufweisen.
2. über die **auf der entgegengesetzten Seite angebrachte Reibeinheit zur Raspelung und Zerkleinerung von Hartkäse, Brot und Keksen**.

In der Zerkleinerungseinheit besteht das Gerät aus einem elektrischen Motor, der in einem einzigen Guss eingefügt ist (**loser Gerätekörper**). In einigen Ausführungen kann der Guss mit einem Gehäuse abgedeckt sein (**verkleideter Gerätekörper**).

Das zu zerkleinernde Fleisch wird von Hand in den Einfülltrichter im oberen Teil des Geräts eingeführt und ebenfalls von Hand und mit Hilfe des Stopfers in den Mahlhals in Richtung Schnecke gedrückt. Der Trichter ist am Geräthals befestigt. Der Stopfer besteht aus nahrungsmittelverträglichem Kunststoff. Die Zerkleinerungseinheit ist vom

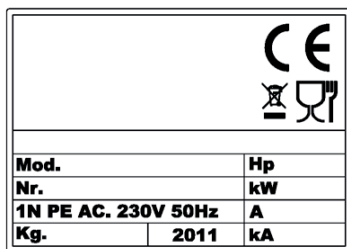
Typ: Enterprise ist ausgestattet mit einer 6mm Lochscheibe.

Die Schneidscheibe wird mit Hilfe des Feststellrads an der Öffnung der Zerkleinerungseinheit gegen das Messer gepresst.

Die Zerkleinerungseinheit kann abmontiert werden; alle Materialien, die direkt mit den Nahrungsmitteln in Berührung kommen, entsprechen den im Lebensmittelbereich geltenden Hygienevorschriften. Der Motor der Zerkleinerungseinheit wird auch für den Antrieb der Reibeinheit eingesetzt. Das zu raspelnde Produkt wird von Hand in den **Reibvorsatz** im oberen Teil des Geräts eingeführt und ebenfalls von Hand durch Betätigung eines **Pressers mit Griff** wird das Produkt gegen die **Raspelrolle** gedrückt. Das Einfüllen des Produktes muss in bescheidenen Mengen erfolgen zur Verhinderung eines ungewollten Starts bei der Senkung des Pressers, der durch ein Sicherheitsmikro in der Pressereinheit ausgelöst werden kann.

Die Raspelrolle ist **gestanzt** und kann nicht aus dem Gerät entfernt werden.

Auf dem Gerät befindet sich ein Kennschild auf dem die folgenden Daten aufgeführt sind:

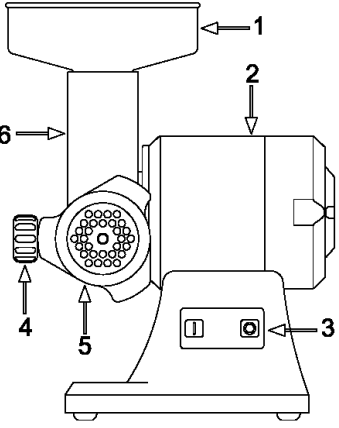
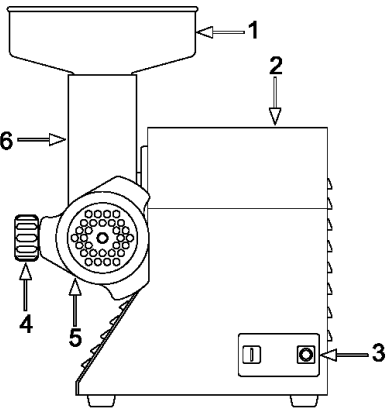
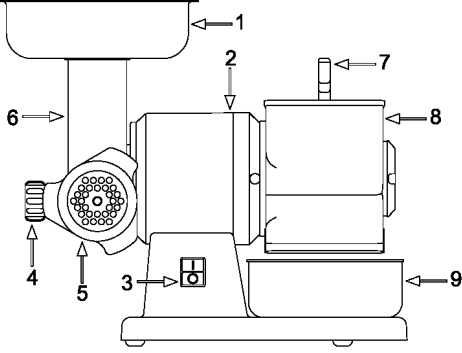
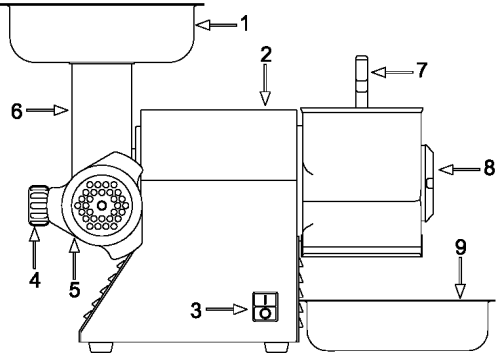
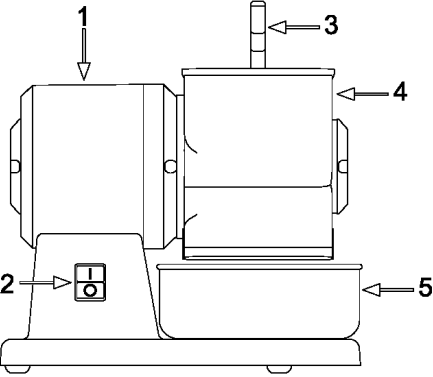
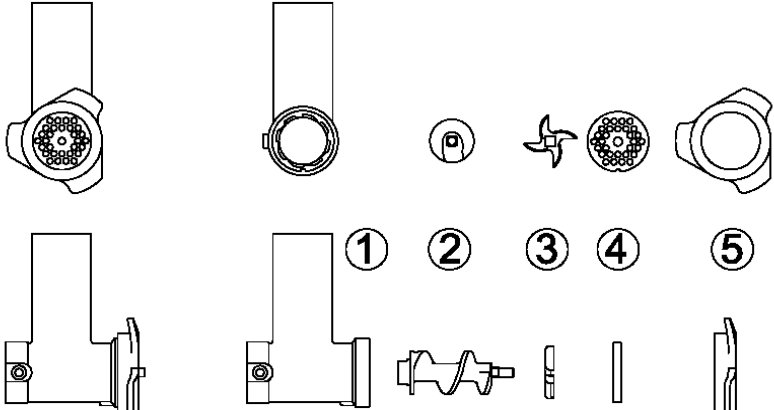


[Beispiel-Abbildung]

TECHNISCHE UND BAUTECHNISCHE DATEN

TECHNISCHE DATEN	MODELL				
	TS 8	TI 8	TG 8	TGI 8	GM
Motorleistung (kW) / (Hp)	0,38/ 0,5	0,38/ 0,5	0,38/ 0,5	0,38/ 0,5	0,38/ 0,5
Innenmaße Zerkleinerungsvorsatz (mm)	60	60	60	60	---
Innenmaße Raspelvorsatz (mm)	---	---	110 x 65	110 x 65	110 x 65
Stundenproduktion Fleischwolf (kg/Std.)	20	20	20	20	---
Stundenproduktion Käsereiber (kg/Std.)	---	---	30	30	30
Masse (kg)	9	10	10	12	8
Abmessungen: A x B x C (mm)	270 x 260 x 360	270 x 280 x 350	380 x 260 x 360	400 x 280 x 360	280 x 170 x 310
Äquivalenter Dauerschallpegel A	unter 70dBA				
Strombeschaffenheit - Frequenz	Siehe Kennschild am Gerät				
Nennleistung	Siehe Kennschild am Gerät				
Nominale Betriebsspannung	Siehe Kennschild am Gerät				
Spannung Hilfskreise	AC 24V – DC 24V				
Masse und Neutralleiter	TT e TN				
Schutzgrad	IP X3				
Anwendungsort	Innenraum				
Aufstellung des Geräts	Arbeits-tisch für den Lebensmittelbereich in der Höhe zwischen 900/1100mm , abgemessen vom Fußboden passender Tragfähigkeit, mit einem freien Handlungsraum von mind. 800mm				
Max. Lufttemperatur	+40°C				
Min. Beleuchtung	500 lux				
Konformität Produktrichtlinien	2006/42/CE, 2006/95/CE und folgende Änderungen und Ergänzungen, Verordn. 1935/2004				

EINHEIT	MODELL				
	TS 8	TI 8	TG 8	TGI 8	GM
Lo-ser Gerätekörper	●		●		●
Verkleideter Gerätekörper (I)		●		●	
Zerkleinerungseinheit	●	●	●	●	
Gestanzte Raspelrolle			●	●	●

EINHEIT	BEISPIEL	
<ol style="list-style-type: none"> 1. Einfülltrichter 2. Gerätekörper 3. Schalter ON / OFF 4. Feststellknopf Vorsatz 5. Feststellrad 6. Gerätehals 	 <p style="text-align: center;">Fleischwolf: Loser Gerätekörper</p>	 <p style="text-align: center;">Fleischwolf: Verkleideter Gerätekörper (I)</p>
<ol style="list-style-type: none"> 1. Einfülltrichter 2. Gerätekörper 3. Schalter ON / OFF 4. Feststellknopf Vorsatz 5. Feststellrad 6. Gerätehals 7. Griff Presser 8. Reibvorsatz 9. Sammelbehälter 	 <p style="text-align: center;">Fleischwolf/Käseibe: Loser Gerätekörper</p>	 <p style="text-align: center;">Fleischwolf/Käseibe: verkleideter Gerätekörper (I)</p>
<ol style="list-style-type: none"> 1. Gerätekörper 2. Schalter ON / OFF 3. Griff Presser 4. Reibvorsatz 5. Sammelbehälter 	 <p style="text-align: center;">Käseibe: Loser Gerätekörper</p>	
<p>Zerkleinerungseinheit</p> <ol style="list-style-type: none"> 1. Zerkleinerungsvorsatz 2. Schnecke 3. Schneidmesser 4. Schneidscheibe 5. Feststellrad 		

ZWECKMÄßIGER GEBRAUCH, MISSBRAUCH, FALSCHER ODER VERBOTENER GEBRAUCH

Das im vorliegenden Handbuch beschriebene Gerät ist für die Anwendung durch **einen einzigen Bediener** vorgesehen. Dieser sollte ausgebildet und bezüglich der Restrisiken informiert sein und zugleich in Bezug auf Sicherheit die Fähigkeiten eines Wartungstechnikers aufweisen.

Beim **ZWECKMÄßIGEN und vernünftigerweise voraussehbaren GEBRAUCH** kann das Gerät nur verwendet werden:

1. über die Zerkleinerungseinheit zur Zerkleinerung von **frischem, nicht tiefgekühltem od. eingefrorenem Fleisch mit Hilfe der Schnittwerkzeuge** für Hackfleisch, Hamburger, Fleischklößchen und Wurstwaren. Im Fleisch sollten keine Knochen oder andere von der Konsistenz des Fleisches abweichende Teile sein.
2. über die Reibeinheit zur Raspelung und Zerkleinerung von Hartkäse, Brot und Keksen.

Das Gerät darf nicht **MISSBRAUCHT** werden; im Besonderen:

1. Kein Gebrauch für den Haushalt,
2. Es darf nicht mit anderen Parametern betrieben werden, als die in der Tabelle zu den technischen Eigenschaften aufgeführten,
3. Für jeden anderen Anwendungszweck des Geräts als die im vorliegenden Handbuch aufgeführten lehnt der Hersteller jede Verantwortung ab,
4. Der Anwender ist verantwortlich für Schäden, die aus der Nichtbeachtung der Betriebsbedingungen im technischen Datenblatt und in der Auftragsbestätigung hervorgehen,
5. Die Zerkleinerungseinheit darf nicht leer betrieben werden; bei Benutzung der Reibeinheit die Zerkleinerungseinheit abmontieren.
6. Die Etiketten nicht absichtlich beschädigen und auch nicht entfernen oder verbergen.

Das Gerät darf nicht **AUF UNZWECKMÄßIGE bzw. VERBOTENE WEISE** verwendet werden, da dies Schäden oder Verletzungen an den Bediener verursachen könnte; im Besonderen:

1. Es ist verboten, das ans Stromnetz angeschlossene Gerät **zu bewegen**;
2. Es ist verboten, **das Stromkabel oder das Gerät zu ziehen** um das Gerät vom Stromnetz zu trennen ,
3. Es ist verboten, auf dem Gerät oder auf dem Stromkabel **Gewichte aufzulegen**,
4. Es ist verboten, **das Stromkabel** auf schneidende Teile oder Teile die Verbrennungsgefahren bergen zu legen,
5. Es ist verboten, das Gerät mit beschädigtem oder nicht unversehrt **Stromkabel oder Steuervorrichtungen** zu betreiben;
6. Es ist verboten, **das Gerät** mit einem an das Stromnetz angeschlossenen Stromkabel **ausgeschaltet zu lassen**,
7. Es ist verboten, **das befüllte Gerät unbeaufsichtigt zu lassen**;
8. Es ist verboten, **irgendeinen Gegenstand** ins Innere der Lüfterhaube des Motors einzuführen;
9. Es ist verboten, **das Gerät auf andere Gegenstände als ein Arbeitstisch aufzustellen**; dieser muss für den Lebensmittelbereich geeignet sein und zwischen 900 - 1100mm vom Fußboden reichen,
10. Es ist verboten, **irgendeinen Gegenstand** unter das Unterteil des Geräts zu legen oder Tücher oder andere Gegenstände zwischen den Stützfüßchen am Gerät und den Arbeitstisch **einzuführen**,
11. Es ist verboten, **entflammbare, korrodierende oder schädliche Reinigungsmittel zu verwenden**,
12. Es ist verboten, **das Gerät** in Wasser oder andere Flüssigkeiten **einzutauchen**;
13. Es ist verboten, **die Anwendung nicht befugtem Personal** oder Personen ohne die vorgeschriebene Arbeitskleidung **zu überlassen**,
14. Es ist verboten, **in den Mahlhals der Zerkleinerungseinheit oder in den Reibvorsatz Produkte oder Gegenstände einzuführen**, die andere Eigenschaften aufweisen als die für den zweckmäßigen Gebrauch vorgegebenen, wie z.B. Knochen, tiefgekühltes oder gefrorenes Fleisch, Nicht-Nahrungsmittel oder andere Gegenstände wie Halstücher, etc...,
15. Es ist verboten, **in den Ausgabebereich des geraspelten Produkts irgend einen Gegenstand einzuführen** wie z.B. Messerschneide, etc...,
16. Es ist verboten, **den Trichter während** der Bearbeitung oder jedenfalls wenn zu bearbeitende Nahrungsmittel in das Gerät eingeführt wurden, **zu entfernen**,
17. Es ist verboten, während der Bearbeitung und jedenfalls **5 Sek. vor** dem Halt des Geräts den **Feststellknopf oder das Feststellrad zu lockern**,
18. Es ist verboten, das Gerät bei **nicht richtig befestigter oder fehlender Schutzvorrichtung** zu betreiben;
19. Es ist verboten, Schutzvorrichtungen und Warnhinweise **teilweise zu entfernen**.
20. Es ist verboten, das Gerät zu betreiben wenn durch den Anwender nicht alle **Maßnahmen zur Beseitigung der Restrisiken** ergriffen worden sind,
21. Es ist verboten **zu rauchen oder Geräte mit offener Flamme und glühenden Materialien zu benutzen**, außer bei Anwendung der passenden Sicherheitsmaßnahmen,
22. Es ist verboten, sowohl während des Betriebs als auch bei unerlaubter Handlung **Überwachungs- und Feststellvorrichtungen wie Knäufe und Ähnliches zu betreiben oder einzustellen**
23. **Die Benutzung von Scheiben deren Löcher einen Durchmesser > 8mm haben, ist verboten.**

Der Anwender ist in jedem Fall verantwortlich für Schäden, die aus der fehlenden Beachtung der aufgeführten Anwendungsbedingungen hervorgehen. Für allfällige Zweifel kann der anerkannte Kundendienst beigezogen werden.

KAP. 3. SICHERHEITSANLEITUNGEN

WARNUNGEN BEZÜGLICH RESTRISIKEN

RESTRISIKO AUF GRUND DER ABNAHME VON FESTEN ABSCHIRMUNGEN, EINGRIFFEN AN BESCHÄDIGTEN/ABGENUTZTEN TEILE

Unter keinen Umständen **darf der Bediener versuchen, eine feste Abschirmung zu öffnen oder zu entfernen oder eine Sicherheitsvorrichtung abzuändern.**

In der Bestückungs-, Wartungs- und Reinigungsphase und während aller anderen manuellen Eingriffe, die das Einführen der Hände oder anderer Körperteile in die gefährlichen Bereiche des Geräts beinhalten, bleibt ein Restrisiko, das vor allem besteht aus:

1. **Stößen an Bauteilen am Gerät,**
2. **Reibung und/oder Aufschürfung an rauen Geräteteilen,**
3. **Stiche durch spitze Teile,**
4. **Schnitt durch schneidende Teile.**

Außerdem müssen der Bediener und der Wartungstechniker **für manuelle Eingriffe bei offenen Abschirmungen ausgebildet werden** und müssen über die daraus folgenden Risiken unterrichtet und durch den Verantwortlichen befugt werden.

SICHERHEITSVORRICHTUNGEN AM GERÄT

Die Schutz- und Sicherheitsvorrichtungen am Gerät dürfen nicht entfernt werden.

Falls diese wegen außerordentlicher Wartung entfernt werden müssen, **sind sofort Maßnahmen zu ergreifen, um die sich ergebenden Gefahren anzuzeigen und aufs Mindeste zu reduzieren.**

Die Wiederanbringung der Schutzvorrichtung oder Sicherheitsvorrichtung muss gleich nach Behebung der Gründe, die deren zeitweilige Entfernung verursacht hatten, erfolgen.

Die **Antriebs Elemente des Geräts** sind vollkommen abgesondert durch feste Schutzvorrichtungen, welche den Zugang zu einer kinematischen Kette verhindern.

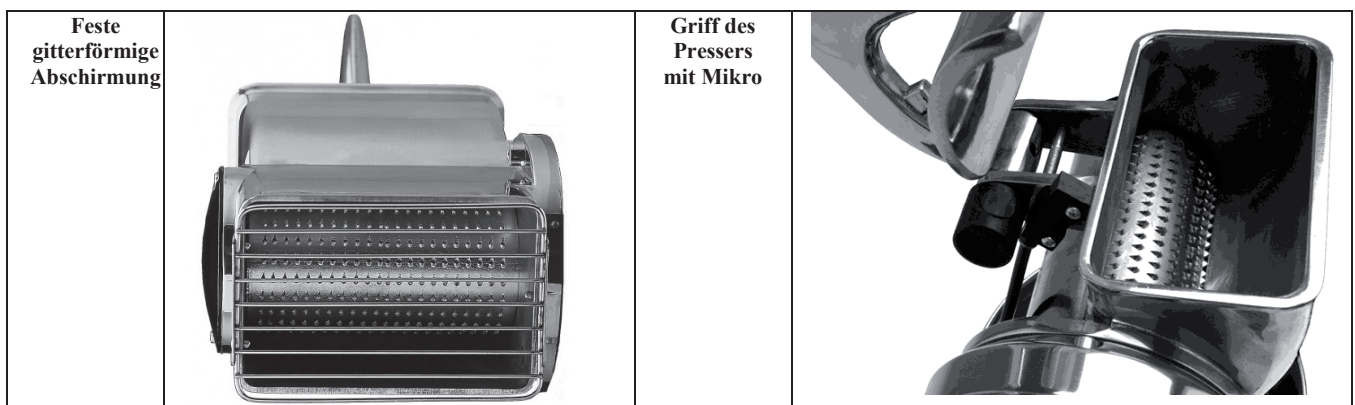
Für alle anderen **Sicherheitsfunktionen**, die die Teile des Steuerungssystems beinhalten und mit der Sicherheit verbunden sind, wurden gut geprüfte Bestandteile und Sicherheitsprinzipien verwendet.

Zerkleinerungseinheit:

1. Auf Grund der Anwendungsart des Geräts und seines Zwecks sind bewegliche Elemente nicht durch feste Abschirmungen, bewegliche Abschirmungen oder andere Sicherheitsvorrichtungen abgetrennt.
2. Die Teile der Zerkleinerungseinheit befinden sich auf Abständen von den Zugangspunkten, die die Erreichung von gefährlichen Stellen verhindern.

Reibeinheit:

1. Auf Grund der Anwendungsart des Geräts und seines Zwecks sind bewegliche Elemente nicht durch feste Abschirmungen, bewegliche Abschirmungen oder andere Sicherheitsvorrichtungen abgetrennt.
2. Auf der Einheit Presser mit Griff befindet sich ein Mikro, der die Rasperolle stoppt, wenn durch den Reibvorsatz gegriffen werden kann;
3. Im unteren Bereich der Reibeinheit auf der Höhe des Ausgangs des geriebenen Produktes befindet sich eine feste gitterförmige Abschirmung, die das Berühren der Rasperolle verhindert.



KAP. 4. TRASPORT, INBETRIEBNAHME UND ANWENDUNG

Die Handhabung des Geräts ist einzig und allein dem befugten und entsprechend ausgebildeten Personal zu überlassen, das außerdem ausreichende technische Kenntnisse aufweisen muss.

Vor der Einschaltung des Geräts die folgenden Schritte durchführen:

- Die technischen Unterlagen genau durchlesen,
- Die Schutz- und Nothaltvorrichtungen am Gerät, ihre Lage und ihre Betriebsweise kennen.

Die Benutzung durch Unbefugte der Geräteteile und des Zubehörs, das als Schutz- und Sicherheitsvorrichtung eingesetzt wird, kann Störungen oder Gefahrensituationen für die Bediener herbeiführen. **Der Bediener muss außerdem** eine angebrachte Ausbildung besitzen.

VERPACKUNG ENTFERNEN - ÖFFNEN

Die Geräte wurden so verpackt, dass das Durchsickern / Eindringen von Flüssigkeit, organischen Stoffen oder Lebewesen verhindert wird: darum besteht die Verpackung aus einer **Polyäthyl-Verkleidung um das Gerät herum** und das Ganze wird in eine **Kartonschachtel** angemessener Größe eingepackt. Die Leerräume in der Schachtel sind mit **Füllmaterial** gefüllt. Freisetzung der Verpackung in die Umwelt vermeiden, statt dessen diese für allfällige spätere Transporte aufbewahren oder bei den befugten Entsorgungsgesellschaften materialgemäß entsorgen. Die Handhabung und Entsorgung der Verpackungsmaterialien gemäß der biologischen Verträglichkeit liegen in der Verantwortung des Anwenders.

Der Arbeitgeber ist verpflichtet, **die diesbezüglich im eigenen Land geltenden Vorschriften zu kennen und in Beachtung jener Vorschriften zu handeln.**

Es ist außerdem untersagt und strafbar, das Gerät und elektrische Zubehör in der Umwelt frei zu setzen..

VORBEREITUNG

STROMVERSORGUNG

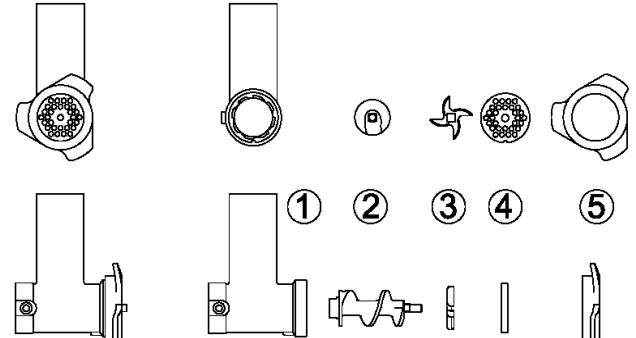
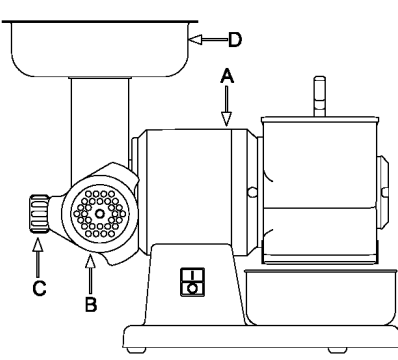
Der Stromanschluss muss entsprechend den **im Aufstellungsland geltenden Vorschriften** ausgeführt werden.

Die Stromversorgung soll immer dem Typ und der Intensität entsprechen, die auf dem Kennschild am Gerät aufgeführt sind.

MONTAGE / ABMONTAGE DER ZERKLEINERUNGSEINHEIT

Alle Eingriffe zur Montage / Abmontage eines jeden Organs am Gerät **müssen bei still stehendem Gerät und bei ausgezogenem Netzstecker erfolgen**, d.h. bei Netz-Trennschalter auf OFF.

Die Montage der **Zerkleinerungseinheit** erfolgt in zwei Schritten (Als Beispiel wird hiernach der lose Gerätekörper Fleischwolf-Käsereweibe aufgezeigt).

<p><u>Schritt Nr. 1</u> für die Zerkleinerungseinheit wird auf dem Arbeitstisch in der unten stehenden Reihenfolge durchgeführt:</p> <ol style="list-style-type: none">1. In den Vorsatz (1) wie folgt einführen: Schnecke (2), Schneidmesser (3) wie in der Abb. ausgerichtet und auf den Mitnehmerstift aufgesetzt, Schneidscheibe (4) in den Sitz des Vorsatzes (1) festgesetzt;2. Feststellrad (5) zuschrauben und anziehen	
<p><u>Schritt Nr. 2</u> erfolgt am Gerät:</p> <ol style="list-style-type: none">1. Die komplette Zerkleinerungseinheit (B) auf das Gerät (A) bis zum Anschlag anbringen;2. Feststellknopf (C) anziehen, bis die Zerkleinerungseinheit (B) am Gerät (A) befestigt ist;3. den Trichter (D) in den Gerätehals einführen4. Danach ist das Gerät betriebsbereit.	

Die **Abmontage der Zerkleinerungseinheit** erfolgt mit den gleichen, zuvor beschriebenen Vorgängen der Montage in umgekehrter Reihenfolge beginnend bei Schritt Nr. 2 bis zu Schritt Nr. 1.

Für eine bessere Leistung und längere Lebensdauer der Scheibe und des Messers wird empfohlen, diese immer **in festen Paaren zu verwenden**.

BETRIEB

Die Steuerungen wurden entwickelt und hergestellt um sicher, zuverlässig und widerstandsfähig gegenüber Beanspruchungen bei Normalbetrieb, voraussehbaren Beanspruchungen und äußeren Faktoren wirken zu können. Außerdem sind sie gut sichtbar und erkennbar und mit der entsprechenden Markierung gekennzeichnet. Im Folgenden werden die wichtigsten **Steuerungen** erläutert:

TYP	SYMBOL / BESCHREIBUNG
Taste	“0” / Taste für den Gerätehalt
Taste	“I” / Taste für den Gerätestart

START

Der Gerätestart kann nur durch eine **willkürliche Handlung** auf der **dafür vorgesehenen Steuerung** erfolgen: weiße Taste “I” für den Gerätestart.

HALT

Für den Gerätehalt die schwarze Taste “0” betätigen. Bei **vorübergehendem oder verlängertem Halt** sind vor Wiedereinschaltung des Geräts alle Nahrungsmittel aus dem Gerät zu entfernen: dafür wird auf die Anweisungen bezüglich der Abmontage der Zerkleinerungseinheit verwiesen.

BETRIEBS SICHERHEIT

Falls das Gerät stark beansprucht, übermäßig langen Betriebszeiten ausgesetzt oder überlastet wird, stellt das Gerät automatisch ab auf Grund des Ansprechens eines Thermoschutzschalters. In diesem Fall **warten, bis das Gerät vollkommen abgekühlt ist**, bevor es wieder eingeschaltet werden kann.

FEHLENDE SPANNUNG

Bei unterbrochener Stromversorgung oder wenn das Gerät vom Stromnetz getrennt wird, kann es nur durch einen Startvorgang wieder eingeschaltet werden, **nachdem die Stromversorgung wieder hergestellt oder das Gerät wieder an das Stromnetz angeschlossen wurde**.

PRESSER ÖFFNEN

Durch Anhebung des Griffs am Presser der Reibeinheit wird das Gerät sofort angehalten durch Ansprechen eines Sicherheitsmikros.

Das Gerät kann nur neu gestartet werden, wenn der Presser bis auf die Höhe, die das Einführen der Finger in Richtung Raspelrolle verhindert, abgesenkt wird und anschließend die Startfunktion betätigt wird.

KONTROLLEN UND ÜBERPRÜFUNGEN VOR DER EINSCHALTUNG

ÜBERPRÜFUNG / KONTROLLE	VORGEHEN
<u>Sicherstellen, dass:</u> ➤ Am Gerät, im Trichter, im Gerätehals, in dem Reibvorsatz und bei der Ausgabe des geriebenen Produktes keine Fremdobjekte vorhanden sind	Sichtprüfung der angegebenen Teile zur Sicherstellung, dass keine fremden Gegenstände wie z.B. Werkzeuge, Tücher, etc... und dass auch keine Nahrungsmittel vorhanden sind. Bei Auffinden solcher Objekte, diese entfernen.
<u>Reinheit überprüfen:</u> ➤ der Innenteile im Gerätehals und der Zerkleinerungseinheit ➤ der Stoßvorrichtung ➤ des Reibvorsatzes, des Pressers und der Raspelrolle ➤ der Außenfläche des Geräts	Alle Flächen der angegebenen Teile müssen vor der Benutzung des Geräts einer Sichtprüfung unterzogen werden, um ihre Reinheit zu überprüfen. Für die Sichtprüfung der inneren Teile der Zerkleinerungseinheit muss diese abmontiert werden. Bei Auffinden von Schimmel oder anderen Unreinheiten die Reinigung dieser Teile gemäß beschriebenem Vorgang in Kapitel 5 durchführen
<u>Zustand überprüfen:</u> ➤ der festen Abschirmungen, ➤ des Einfülltrichters, ➤ des Gerätehalses, ➤ des Reibvorsatzes, des Pressers und der Raspelrolle ➤ des Gerätekörpers	Alle festen Abschirmungen, etc.. müssen ihre vorgesehene Funktion erfüllen. Sichtprüfung der angegebenen Teile um sicherzustellen, dass diese auf ihrer Außenseite unbeschädigt sind. Diese Teile müssen auf jeden Fall ersetzt werden, sobald erste Anzeichen von Abnutzung oder Beschädigung sichtbar sind.
<u>Betriebsfähigkeit überprüfen:</u> ➤ der für die Sicherheit vorgesehenen Steuer-/Kontrollteile; ➤ der Steuerungen.	Alle Vorrichtungen müssen die für sie vorgesehene Funktion erfüllen. Die Vorrichtungen direkt steuern, so dass diese die erwartete Funktion ausführen. Die Stellglieder und alle anderen Teile müssen auf jeden Fall ersetzt werden, sobald erste Anzeichen von Abnutzung oder Beschädigung sichtbar sind.
<u>Sicherstellen:</u> ➤ dass nach dem Start keine seltsamen Geräusche zu hören sind	Falls während der Überprüfung des Steuerungenbetriebs seltsame Geräusche festgestellt werden, die z.B. auf Festfressen oder mechanische Brüche hinweisen, sofort das Gerät anhalten und den Wartungsdienst benachrichtigen.
<u>Sicherstellen:</u> ➤ dass keine Öls Spuren sowohl auf der Ablage des Geräts als auch in der Schnecke vorhanden sind	Sowohl während der Bearbeitung als auch am Ende jeder Bearbeitung oder zum Zeitpunkt der Montage der Zerkleinerungseinheit überprüfen, dass keine Öls Spuren in den angegebenen Stellen vorhanden sind. Falls kleine Tropfen Flüssigkeit festgestellt werden, das Gerät sofort anhalten und den Wartungsdienst benachrichtigen.

Für jede Art Eingriff oder für die Ersetzung der beschädigten Teile **den Wartungsdienst benachrichtigen**. Für die allfällige Ersetzung müssen durch Original-Teile des Herstellers oder mindestens Teile von gleichwertiger Qualität, Sicherheit und Eigenschaften benutzt werden. Weitere Auskünfte sind beim anerkannten Kundendienst erhältlich.

INBETRIEBNAHME

Der Bediener des Geräts kann das Gerät in Betrieb nehmen, unter Beachtung der unten stehenden Anweisungen in der angegebenen Reihenfolge:

1. Positives Ergebnis der Kontrollen bezüglich der Vorbereitung,
2. Positives Ergebnis der Kontrollen bezüglich der Stromversorgung,
3. Anschluss des Steckers an die passende Steckdose,
4. Für den Betrieb der **ZERKLEINERUNGSEINHEIT**:
 - a. Positives Ergebnis der Kontrollen bezüglich der Montage der Zerkleinerungseinheit,
 - b. Positives Ergebnis der Kontrollen bezüglich der richtigen Drehung der Schnecke,
 - c. Positives Ergebnis der Kontrollen / Überprüfungen vor der Einschaltung,
 - d. Positives Ergebnis der Kontrollen für die Sicherstellung der Einhaltung aller Sicherheitsvorschriften,
 - e. Den Griff des Pressers auf der Reibeinheit in die tiefstmögliche Position absenken,
 - f. Einen Sammelbehälter vor das Gerät aufstellen auf der Höhe der Ausgabe des Hackfleisches,
 - g. Sich auf die linke Seite neben dem Gerät stellen und das Gerät einschalten durch Betätigung der Steuerung "I",
 - h. Die Nahrungsmittel von Hand in den Gerätehals einführen und mit Hilfe des mitgelieferten Stopfers gegen die Schnecke drücken,
 - i. Am Ende der Einführung des Nahrungsmittels in den Gerätehals bzw. wenn kein Produkt mehr aus der Schneidscheibe herauskommt, das Gerät durch Betätigung der Stopp-Steuerung "0" ausschalten.
5. Für den Betrieb der **REIBEINHEIT**:
 - a. Zerkleinerungseinheit abmontieren,
 - b. Positives Ergebnis der Kontrollen bezüglich der richtigen Drehung der Rasperolle,
 - c. Positives Ergebnis der Kontrollen / Überprüfungen vor der Einschaltung,
 - d. Positives Ergebnis der Kontrollen bezüglich der Einhaltung aller Sicherheitsvorschriften,
 - e. Einen Sammelbehälter vor das Gerät aufstellen auf der Höhe der Ausgabe des geriebenen Produktes,
 - f. Sich auf die linke Seite neben dem Gerät stellen und das Gerät einschalten durch Betätigung der Steuerung "I",
 - g. Die Nahrungsmittel von Hand in den Reibvorsatz einführen und gegen die Rasperolle drücken durch Absenkung des Pressergriffs,
 - h. Am Ende der Einführung des Nahrungsmittels in den Gerätehals bzw. wenn kein Produkt mehr in den Sammelbehälter fällt, das Gerät durch Betätigung der Stopp-Steuerung "0" ausschalten.

Auf keinen Fall das Gerät ohne Nahrungsmittel im Inneren laufen lassen.

Auf keinen Fall die Reibeinheit bei montierter Zerkleinerungseinheit betreiben.

AUSSCHALTEN

Anschließend die Abschaltung in folgenden Schritten durchführen:

1. vor der Abschaltung abwarten, bis die Ausgabe des Nahrungsmittels aus dem unteren Bereich des Reibvorsatzes beendet ist,
2. das Gerät anhalten durch Betätigung der Stopp-Steuerung "0",
3. den Stecker des Geräts von der Steckdose ziehen,
4. Reinigungsschritte durchführen.

ENTSPERRUNG BEI HEMMNISSEN

Während der Bearbeitung bzw. während der Drehung der Schnecke oder der Reibeinheit könnte das Gerät auf Grund von:

1. Einführung ungeeigneter Teile oder Nahrungsmittel wie z.B. Knochen oder anderes,
2. Einführung von übermäßig harten oder trockenen Produkten, gehemmt werden.

Die gleiche Situation kann als Folge einer Störung an der Stromversorgung bzw. wenn das Gerät mit Nahrungsmitteln in seinem Inneren angehalten wird entstehen.

Zur Wiederaufnahme einer normalen Bearbeitung muss zuerst:

1. Bei einer Hemmung in der Zerkleinerungseinheit muss diese abmontiert werden: **die Abmontage darf nicht erfolgen, indem das Feststellrad gelockert wird, sondern durch Lockerung des Feststellknaufs am Zerkleinerungsvorsatz**,
2. Bei einer Hemmung in der Rasperolle, das hemmende Nahrungsmittelprodukt von Hand entnehmen.

KAP. 5. FEHLERSUCHE UND REINIGUNG

FEHLERSUCHE UND ENTPERRUNG VON BEWEGLICHEN ELEMENTEN

Im Folgenden werden die Schritte angegeben für die **Fehlersuche und Entsperrung von beweglichen Elementen**, die durch **das Wartungspersonal ausgeführt werden müssen**.

TYP	MÖGLICHE URSACHE/N	VORGEHEN
Netzausfall	Generelles Black Out	Stromversorgungsgesellschaft anfragen
	Sicherungen oder vorgeschaltete Thermomagnetschalter haben angesprochen	Nach Behebung der Ursachen, die zum Ansprechen der Schutzvorrichtung geführt haben diese Vorrichtung wieder herstellen. Bei Anhalten des Problems einen Elektriker beiziehen.
Betriebsunterbrechung	Ansprechen der Schutzvorrichtung im Inneren des Geräts	Einen Elektriker beiziehen: nach Behebung der Ursachen, die zum Ansprechen der Schutzvorrichtung geführt haben, diese Vorrichtung zurück stellen. Bei Ansprechen der Sicherungen diese durch Sicherungen des gleichen Typs, Eichung und Ansprechkurve ersetzen.
	Griff der Reibeinheit angehoben	Durch Anhebung des Pressergriffes der Reibeinheit hält das Gerät sofort an durch Ansprechen des Sicherheitsmikros. Den Presser bis auf eine Höhe, die die Einführung der Finger bis zur Raspelrolle verhindert, senken und das Gerät starten.
	Ursache/n nicht identifizierbar	Direkt den <u>anerkannten Kundendienst</u> beiziehen
Gerät funktioniert nicht: die Schnecke oder die Raspelrolle dreht sich nicht	Fehlende Speisespannung.	Stromzufuhr überprüfen und wieder herstellen.
	Netz-Trennvorrichtung auf "OFF".	Die Netz-Trennvorrichtung auf Position "ON" stellen.
	Sicherungen haben angesprochen oder Thermomagnetschalter funktionieren nicht.	Angesprochene Sicherungen ersetzen, den Zustand der Thermomagnetschalter überprüfen.
	Starttaste nicht betriebsfähig	Betriebsfähigkeit der START-Taste überprüfen und eventuell direkt den <u>anerkannten Kundendienst</u> benachrichtigen.
	Thermoschalter hat wegen Überhitzung angesprochen	Vor dem Neustart des Geräts völlige Abkühlung abwarten
	Defekter Mikro	Direkt den <u>anerkannten Kundendienst</u> beiziehen

DEUTSCH

REINIGUNG

Es ist untersagt, laufende Organe oder Elemente von Hand zu reinigen.

Alle Reinigungsingriffe dürfen ausschließlich durchgeführt werden, **nachdem das Gerät komplett von dem enthaltenen Nahrungsmittel geleert und von der äußeren Stromversorgungsquelle isoliert wurde.**

Das Gerät, die elektrische Anlage und die Bestandteile auf dem Gerät **dürfen niemals mit Wasser gereinigt werden, ebenso wenig mit einem Strahl, ungeachtet welcher Beschaffenheit oder welcher Menge auch immer; deshalb ohne "Kessel", "Schlauch" oder "Schwamm"** reinigen. Niemals das Gerät in ein Spülbecken oder unter einen Wasserhahn stellen.

Die Hygienestufe des Geräts und des passenden Zubehörs für die vorgesehene Anwendung ist 2 (zwei): Geräte, die auf Grund einer hygienebezogene Risikoanalyse den internationalen Anforderungen entsprechen, jedoch eine programmierte Zerlegung des Geräts für die Reinigung erfordern.

HÄUFIGKEIT	PERSONAL	VORGANG
Am Ende jeder Arbeitsschicht und jedenfalls vor der täglichen Benutzung	Bediener	<p>Alle Oberflächen und die Teile am Gerät, die mit Nahrungsmitteln in Berührung kommen, bzw. Nahrungsmittelbereiche (<u>innere Fläche des Trichters, des Gerätehalses und der Zerkleinerungseinheit, Stopfer, Presser, Reibvorsatz und Raspelrolle</u>) und die Spritzbereiche (<u>äußere Oberfläche des Geräts</u>) müssen gereinigt und desinfiziert werden wie unten angegeben. Für die Abmontage der Zerkleinerungseinheit siehe vorhergehende Beschreibungen.</p> <ul style="list-style-type: none"> ➤ Die Oberflächen von eventuellen Nahrungsmittelrückständen befreien (z.B. mit einem Plastischaber); ➤ Alle Oberflächen des Nahrungsmittelbereichs und Spritzbereichs mit einem feuchten weichen Tuch (nicht tiefend) und in warmem Wasser verdünntem Reinigungsmittel reinigen (gewöhnliche Abwaschseife genügt). Nicht im Wasser lassen. Mit einem Schwamm das Innere des Zerkleinerungsvorsatzes reinigen. Spezifische Mittel für Stahl verwenden, die flüssig sein müssen (keine Cremes oder Schleifpasten) und vor allem dürfen sie kein Chlor enthalten. Gegen Fett kann denaturierter Alkohol verwendet werden. ➤ Mit sauberem warmem Wasser spülen und anschließend alle Oberflächen des Nahrungsmittelbereichs und Spritzbereichs mit einem weichen, nicht faserigen Tuch abtrocknen.

- Nur Teile aus rostfreiem Stahl der Mahlgruppe können auch in der Geschirrspülmaschine gewaschen werden, **während Teile aus Aluminium oder Gusseisen, die in der unten stehenden Tabellen aufgeführt sind, können in der Geschirrspülmaschine nicht gewaschen werden.**
 - **Die Neumontage der Zerkleinerungseinheit** muss nur bei Bedürfnis für eine neue Bearbeitung erfolgen; die Teile in einem weichen, nicht faserigen Tuch eingewickelt aufbewahren.
- DESINFEKTION**
- Nur Ph-neutrale nicht oxidierte Spülmittel verwenden
 - Bei Verwendung von Warmwasser (> 60 °C) soll man nur demineralisiertes Wasser benutzen
 - Bei der Verwendung anderer Mittel, müssen sie dem Materialtyp angepasst sein.
 - Bei Maschinen mit Teilen aus Aluminium oder Gusseisen (siehe Tabelle unten) können Mittel mit Peressigsäure verwendet werden.
- LANGE BETRIEBSLOSIGKEIT**
- Bei **langer Betriebslosigkeit** des Geräts muss auf alle Stahloberflächen (besonders diejenigen aus Edelstahl) reichlich Vaselineöl mit einem Tuch aufgetragen werden, damit diese Teile durch eine zusätzliche Schicht geschützt werden.
- VOR ODER WÄHREND DER REINIGUNG IST ES UNTERSAGT:**
- auf bewegliche Elemente zu greifen, ohne dass zuvor überprüft wurde, ob diese still stehen;
 - auf bewegliche Elemente zu greifen ohne dass das Gerät garantiert sicher angehalten wurde (Netz-Trennvorrichtung auf Position Null)
- PRODUKTE, DIE NICHT BENÜTZT WERDEN DÜRFEN:**
- Druckluftstrahlen gegen Bereiche, in denen sich Mehl befindet und generell gegen das Gerät;
 - Dampfreinigungsgeräte;
 - Reinigungsmittel, die CHLOR enthalten (auch nicht verdünnt) oder daraus zusammengesetzt sind, wie: Bleichlauge, Chlorwasserstoffsäure, Natronlauge, Entstopfungsmittel, Reinigungsmittel für Marmor, Entkalkungsmittel, etc ... diese können die Beschaffung des Stahls angreifen und können unwiderrufliche Flecken oder Oxidation verursachen. Die losen Ausströmungen der oben genannten Mittel können oxidieren und in einigen Fällen den Stahl anfressen;
 - Metallplättchen, Bürsten oder Polierscheiben aus anderen Metallen oder Legierungen (z.B. gewöhnlicher Stahl, Alu, Messing, etc...) oder Werkzeuge, die zuvor für die Reinigung anderer Metalle oder Legierungen benutzt wurden, könnten die Oberfläche verkratzen.
 - reibende Reinigungspulver;
 - Benzin, Lösungsmittel oder entflammare und/oder korrodierende Fluide;
 - Silberreinigungsmittel.

KENNUNGSTABELLE VON PRODUKTEN MIT DER MAHLGRUPPE AUS ALUMINIUM

MOD	ALUMINIUM (Kode)
TS8	FTSM101
TI8	FTSMI101
TG8	FTGM102
TGI8	FTGMI102

KAP. 6. ENTSORGUNG



Das auf die Maschine geschriebene Symbol der durchgestrichenen Mülltonne zeigt, dass das Produkt am Ende der Betriebsdauer getrennt von dem anderen Abfall entsorgt werden muss.



Für den Fall, dass man entscheidet, die Maschine nicht mehr zu benutzen, weil sie obsolet, kaputt oder abgenutzt ist, ihre Außerbetriebnahme muss spezialisiertem und ausgerüstetem Personal anvertraut werden. Am Ende der Demontage müssen alle Identifikationsschilder und alle andere Dokumente zerstört werden. Die Maschine kann entsorgt werden ohne sie in kleine Stücke zu zerbrechen, es genügt die Aggregate zu trennen, aus denen sie zusammengesetzt ist, und diese zu verschrotten.

Die Maschine als städtische gemischte Abfälle nicht entsorgen, Mülltrennung beachten

Die Abfuhrsysteme der Maschine sind:

- Rücknahme durch den Verteiler
- Möglichkeit von Auslieferung an den Verteiler der Maschine gleichwertig mit der Kaufurkunde einer neuen Maschine.

Die Maschine hat keinen Gefahrenstoff mit potentiellen negativen Wirkungen auf die Umwelt und die menschliche Gesundheit. Es ist wesentlich, dass die Abnehmer zu der Wiederverwendung, dem Recycling und anderen Formen der Rückgewinnung der Maschine beitragen. Der Arbeitgeber muss Kenntnisse der in seinem eigenen Land geltenden Gesetze haben und sich verhalten, um solche Gesetze zu folgen.



Es ist verboten, und dazu mit Sanktionen belegt, die Maschine und die elektrische Ausrüstung in die Landschaft zu werfen.

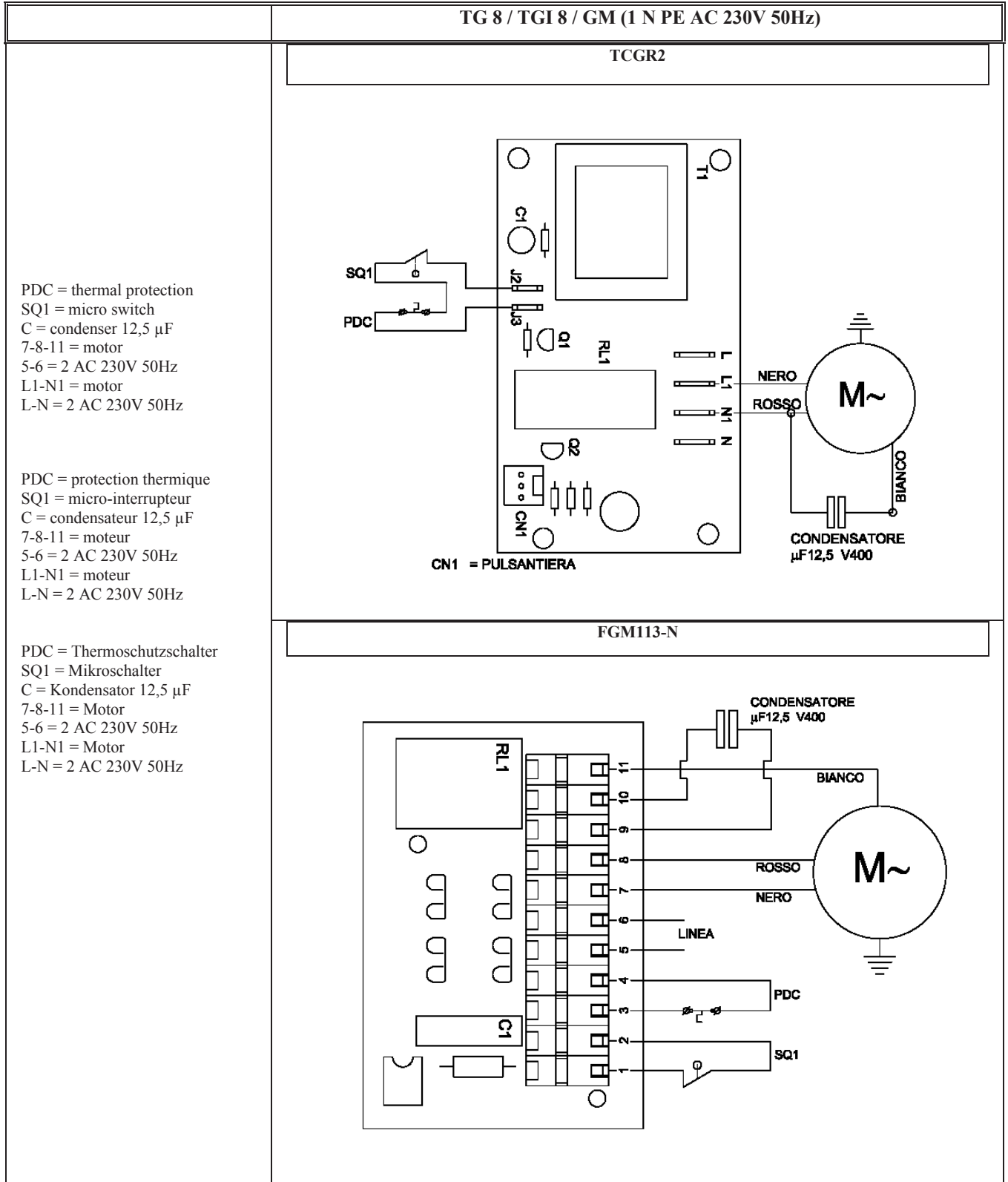
-

KAP. 7. BAUMATERIAL

Je nach Betriebs- und Produktionsbedürfnis kann das Gerät aus verschiedenen Materialtypologien bestehen.

EINHEIT	MATERIALTYPEN				
	Edelstahl 18/8	Edelstahl AISI 304	Edelstahl AISI 440	Behandeltes Aluminium für Nahrungs- mittel	Behandelter Stahl für Nahrungs- mittel
Gerätekörper und Trichter	•			•	
Messer und Schneidscheibe			•		
Zerkleinerungseinheit		•		•	
gestanzte Rasperolle		•			•
Presser, Griff, Reibvorsatz				•	

ELECTRONIC CARDS FICHES ELECTRONIQUES LEITERPLATTEN



TCGR2

PDC = thermal protection
 C = condenser 12,5 μ F
 L1-N1 = motor
 L-N = 2 AC 230V 50Hz

PDC = protection thermique
 C = condensateur 12,5 μ F
 L1-N1 = moteur
 L-N = 2 AC 230V 50Hz

PDC = Thermoschutzschalter
 C = Kondensator 12,5 μ F
 L1-N1 = Motor
 L-N = 2 AC 230V 50Hz

