

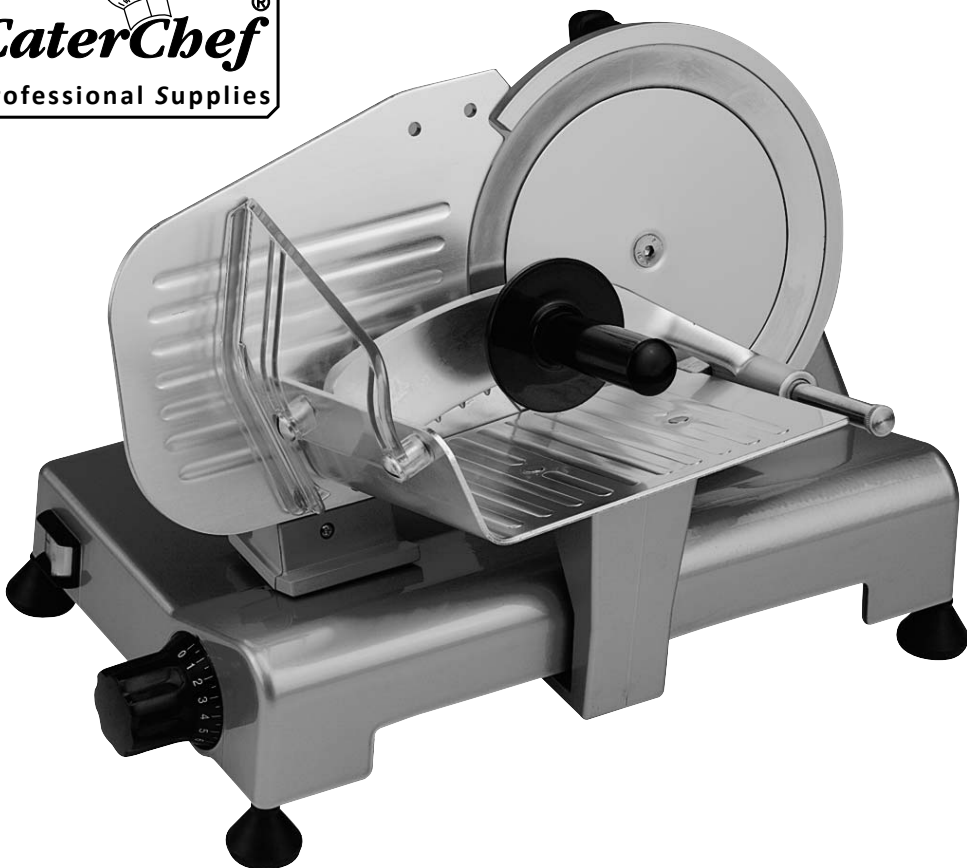
(GB) *Instruction manual*

(NL) *Gebruiksaanwijzing*

(F) *Mode d'emploi*

(D) *Bedienungsanleitung*

*680.195 ELECTRIC SLICER



Ⓞ	<i>Instruction manual</i>	<i>page</i>	<i>3</i>
Ⓝ	<i>Gebruiksaanwijzing</i>	<i>pagina</i>	<i>10</i>
ⓕ	<i>Mode d'emploi</i>	<i>page</i>	<i>17</i>
Ⓓ	<i>Bedienungsanleitung</i>	<i>Seite</i>	<i>24</i>

Keep this instruction manual ready to hand with the product!

1. General Information	page	3
2. Safety	page	3
3. Delivery, packaging and storage	page	5
4. Technical data	page	5
5. Installation and operation	page	6
6. Cleaning and operation	page	8
7. Troubleshooting	page	9
8. Waste disposal	page	9
9. Service / spare parts	page	9

1. GENERAL INFORMATION

Dear customers,

before using this appliance, please read this use instruction manual.

We thank you for your confidence.

PRESENTATION



The aim of this handbook is to provide the customer with as much information as possible about our food slicer and with the instructions for its use and maintenance in order to keep it working efficiently. This handbook should be given to those responsible for the use and periodical maintenance of the slicer. The handbook should be kept in good condition and stored in an easily accessible place for rapid reference. The slicers are subjected to revision and may, therefore, contain details differing from those shown; this possibility has no effect on the information in this handbook.

IMPORTANCE OF THE HANDBOOK

The handbook is integral part of the machine. It includes important information regarding safety and danger, pointed out by these symbols:



The information included will allow you to use the machine in perfect safe conditions and to obtain the best results.

SUPPLIER'S DECLARATION

It is herewith confirmed that the equipment mentioned on the cover of these instructions for use comply with the directive BMPT 242/1991 relative to the European regulation EN 55014 on anti-disturbance.

The Deutsche Bundespost has been informed of the marketing of this equipment and has the right to control its application.

2. SAFETY

MAINS VOLTAGE

Before plugging in, check that the mains voltage corresponds to the voltage indicated on the food slicer (data plate).

INSTRUCTION FOR USE

- Once unwrapped, place it so that the on/off switch is in front of the operator.
- Regulate the thickness of the slice desired by turning the graduated knob.
- Place the food to be sliced on the sliding carriage pushing against the food holder arm facing the blade, making sure that the food is resting against the movable bulkhead.
- Switch on, thus activating the blade.
- After use, turn the graduated knob back to position "0". The food grip should not be removed unless the shape and size of the food does not allow its use.

WARNING: PRECAUTIONS TO BE TAKEN

- **Read well all instructions.**
- To protect against any risk of electrical shock **do not put the appliance in water or in any other liquid.**
Do not clean the machine using a lot of water.
- **Unplug** when the appliance is not in use, before putting on or taking off parts and before cleaning.
- **Avoid contacting moving parts.**
- **Never push food by hand.**
- **Always use completely assembled slicers** with food tray and food holder arm **and with all the protections.**
- **Blade is sharp**, handle carefully when cleaning.
- **Do not use any appliance** with a damaged cable or plug.
- Return appliance to the nearest authorized service facility for examination and all possible and necessary electrical or mechanical adjustments.
- The use of spare-parts not recommended or sold by manufacturer may cause fire, electric shock or injury.
- Do not use outdoors.

WARNINGS AND SAFETY RULES

The maker declines all responsibility in the case of improper use of the machine. Do not use the food slicer for frozen food, boned meat or anything other than foodstuffs. Periodically check the state of the cable; should it be damaged, it must be replaced by qualified staff.

- Do not submerge the food slicer in water when cleaning.
- The slicer **has not to be** washed by jet of water.
- Do not use extension cables.
- Do not unplug by pulling the cable.
- Do not use the machine with wet hands or bare feet.
- Put the slicer distant from sources of heat.

Even though the machine is equipped with safety devices, keep your hands away from the blade and moving parts.

During maintenance or cleaning operations (therefore, having removed the protections), the remaining risks should be carefully considered. Before carrying out any maintenance operation, unplug the machine and make sure that the graduated knob is in "0" position. Remove the knife guard periodically, unscrewing the screw (in the centre of the knife guard), then clean both the blade and the inside of the knife guard with alcohol or warm water.

Warning This device is not foreseen to be used by people (children included) with reduced physical, sensory or mental capacities or by people without experience or knowledge, unless they have been adequately trained to do so in a safe manner. It is better to watch over children to be sure they do not play with the device. This operation must be carried out with the utmost care as it concerns a cutting device. The blade has to be replaced when it is no more possible to sharpen it or when the distance between the cutting part of the blade and the blade protector is more than 6 mm. The machine and all its parts should be cleaned with soft cloths moistened with standard neutral detergents.

Use soft cloths for drying. When the sliding carriage moves with difficulty, lift the food slicer and place it on its side. Carefully clean the cylindrical sliding bar and lubricate it with industrial oil.

WARNINGS AND RULES

Read carefully all the instructions before using the machine, taking particular care of the paragraphs with the safety and danger symbols.

Remove the plug before the maintenance and disassembly operations for the cleaning of the protections.

Do not use the machine with the protections removed.

WARNINGS FOR USE

The manufacturer declines all responsibility in the case of improper use of the machine:

- Do not slice frozen food, meat with the bone, no alimentary products and pulses.
- Electric cable: check it periodically, in case of damage replace it with a new one.
- Do not immerse the slicer in water for cleaning.
- Do not remove the plug gripping the electric cable.
- Do not use extension cables.
- Do not use the device with wet hands or bare feet.
- Do not put the hands near the parts in movement even if there are safety devices.

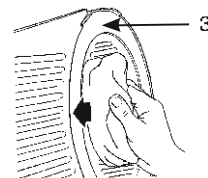
Before carrying out any maintenance operation, unplug the machine and make sure that the graduated knob (6) is in "0" position.

CONTROL

Transmission.

Immediately after installation check that the appliance is operating correctly as follows:

- Graduated knob (6) in "0" position.
- Switch on the slicer.
- Using a cloth push on the blade (3), to brake it; the blade must not stop even if there is a big pressure.



Food tray group carriage.

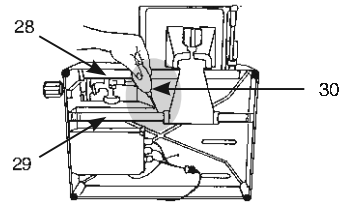
Check that the fixing knob (15) of the food tray group is well closed.

Sliding capacity of the food tray group carriage.

Check that the carriage slides across its full range. It could happen that some pieces of the packaging remain on the sliding bar (28 and 29) and make the sliding imperfect.

Clean the square bar (28) indicated in the picture by a cloth (avoiding to degrease the bar).

Periodically after having cleaned the round sliding bar (29) lubricate with the proper oil (30).



Opening of the movable bulkhead (2).

Rotate the graduated knob (6) across the full range in order to verify the perfect working.

Sharpener group (10).

Check the perfect insertion of the sharpener assembly (10) in its seat.

3. DELIVERY, PACKAGING AND STORAGE

TRANSPORT - HANDLING - STORAGE

The machine is packed in a cardboard box with plugs inserted.
The packaging is suitable for to travel by all means of transport.
It can be stacked one carton on another for a maximum of 3/4 cartons.

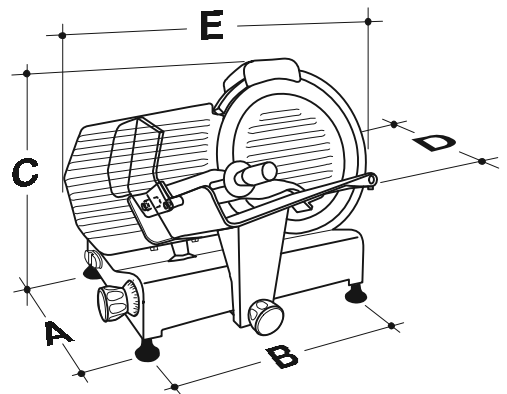


- The packaging must be: kept dry.
- Handled by 2 persons.
- When on pallets, handle only with transpaller electric lifters.

4. TECHNICAL DATA - DIMENSIONS

COMMON TECHNICAL CHARACTERISTICS

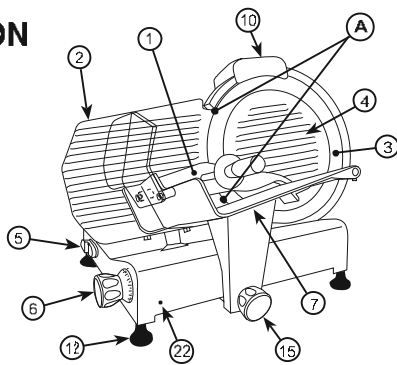
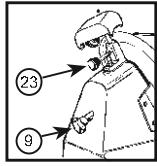
- Structure in cast aluminium
- Knife guard, food tray and movable bulkhead: in oxidized aluminium
- Shaft holding the blade mounted on a double ball-bearing
- Professional ventilated motor
- Tempered professional blade
- Fixed blade protection ring



MODEL	LUXOR		OLIMPIA		LUSSO — LADY					DOLLY					
	20	22	22	25	195	22	25	275	300 E	220	250	300	300 _{SG}	350	
DIMENSIONS mm	A	250	250	263	263	233	263	263	263	263	260	260	315	380	380
	B	360	360	415	415	381	415	415	415	415	400	400	455	535	535
	C	300	315	325	355	292	335	365	375	390	355	365	420	460	470
	D	320	320	400	400	300	363	363	410	410	400	410	480	515	515
	E	390	410	460	490	430	448	480	505	520	425	475	570	640	680
BLADE diameter	mm	200	220	220	250	195	220	250	275	300	220	250	300	300	350
Motor power	Watt	110	120	140	140	120	140	140	150	190	140	140	230	230	300
Capacity of cut about	mm	170-130	160-150	230-160	230-180	200-130	230-165	230-185	230-190	245-215	210-155	210-175	245-220	290-210	290-255
Carriage Stroke	mm	210	210	255	255	210	255	255	255	255	245	245	270	310	310
Weight	kg	10	12	12,5	13,5	11	13	14	16,5	17,5	15	15,5	24	29	36

5. INSTALLATION AND OPERATION

INSTALLATION



Environmental conditions:

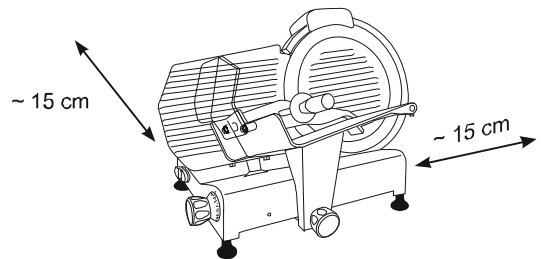
- Minimum temperature + 8 °C
- Maximum temperature + 38 °C
- Minimum moisture 30%
- Maximum moisture 80%
- The slicer has to be put on a stable support to prevent its moving.
- The cable has to be connected in a manner that will not create a tripping hazard.

Leveling.

Check that the movable bulkhead (2) with the graduated Knob (6) in "0" position is aligned to the blade in the zone (A). If it is not aligned adjust the feet (12) unscrewing or screwing the right one.

- 1 - Food holder arm
- 2 - Movable bulkhead
- 3 - Blade
- 4 - Knife guard
- 5 - On / Off switch
- 6 - Graduated knob
- 7 - Sliding carriage or sliding food tray
- 9 - Knife guard blockage knob
- 10 - Sharpener group
- 12 - Feet
- 15 - Food tray fixing knob
- 22 - Blockage food tray / movable bulkhead (BLC) hole
- 23 - Sharpener group blockage knob

Necessary space for use



DISMANTLING OF FOOD TRAY WITH MOVABLE BULKHEAD BLOCK SYSTEM (BLC)

- 1° - Graduated Knob (6) in position "0".
- 2° - Food tray (7) towards the operator in end of traverse position.
- 3° - Completely loosen the locking knob (15) of the food tray (7).
- 4° - Push the food tray towards the operator until the pin under the knob (15) enters the hole (22) on the base of the slicer to enable disassembly of the tray, lifting it vertically.

BLADE SHARPENING - blade diameter: 220 - 250

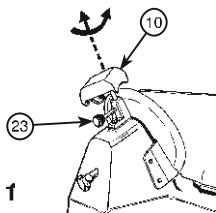


Fig. 1

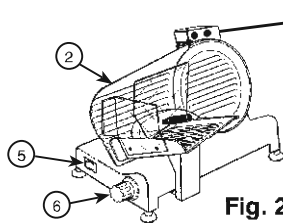


Fig. 2

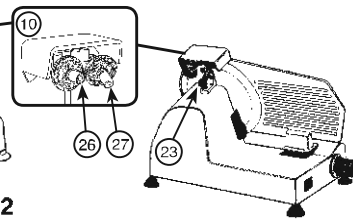
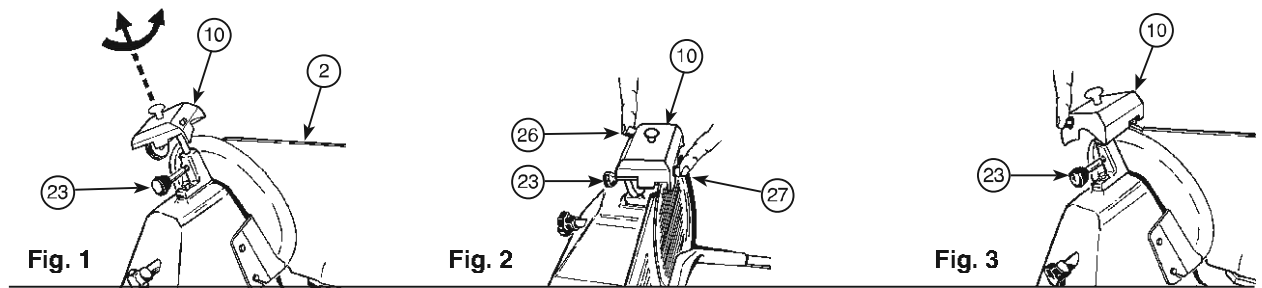


Fig. 3

N.B.: it should be noted that the blade is highly resistant, therefore it needs to be sharpened only when the capacity of cut decreases.

- Unplug.
- Check that the movable bulkhead (2) is closed (graduated knob (6) in position "0")
- Carefully clean the part of the blade that needs to be sharpened.
- Reinsert the plug.
- Loosen the locking knob (23) of the sharpener group (10).
- Raise the sharpener group (10), turning it by 180° so that both wheels are in working position. See Fig. 1.
- Lower the sharpener group (10) until it locks.
- Secure the group by turning the locking knob (23).
- Switch on (5).
- Press button (26) and let the blade turn for about 1 minute. When the blade is still, check to see if any burr has formed on the edge.
- After having verified the presence of burr, switch on and gently press button (27) for about 3 seconds to remove the burr produced during sharpening.
- After sharpening, move the sharpener group back to its original position and clean the edge of the blade.
- After several sharpening operations, remove any residue from the sharpening wheel with alcohol and a brush.

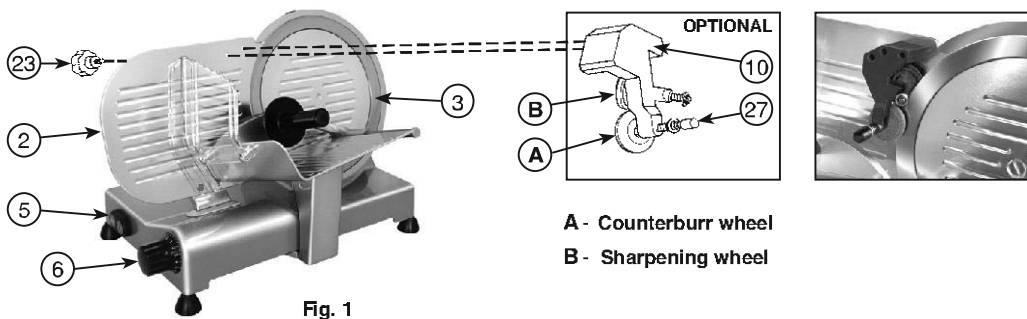
BLADE SHARPENING - blade diameter: 300



N.B.: it should be noted that the blade is highly resistant, therefore it needs to be sharpened only when the capacity of cut decreases.

- Unplug.
- Check that the movable bulkhead (2) is closed (graduated knob (6) in position "0")
- Carefully clean the part of the blade that needs to be sharpened.
- Reinsert the plug.
- Loosen the locking knob (23) of the sharpener group (10).
- Raise the sharpener group (10), turning it by 180° so that both wheels are in working position. See Fig. 1.
- Lower the sharpener group (10) until it locks.
- Secure the group by turning the locking knob (23).
- Switch on (5).
- Press button (26) and let the blade turn for about 1 minute. When the blade is still, check to see if any burr has formed on the edge.
- After having verified the presence of burr, switch on and gently press button (27) for about 3 seconds to remove the burr produced during sharpening.
- After sharpening, move the sharpener group back to its original position and clean the edge of the blade.
- After several sharpening operations, remove any residue from the sharpening wheel with alcohol and a brush.

BLADE SHARPENING for models with removable sharpener



N.B.: it should be noted that the blade is highly resistant, therefore it needs to be sharpened only when the capacity of cut decreases.

- Unplug.
- Carefully clean the part of the blade to be sharpened.
- Reinsert the plug.
- Set the movable bulkhead (2) at maximum distance from the blade (3) by turning the graduated knob (6).
- Place the sharpener group (10) on the movable bulkhead (2) as indicated in Fig. 1 blocking it by the knob (23).
- Switch on (5) to activate the automatic sharpening function. If necessary, turn the graduated knob (6) until the grinding stone turns together with the blade.
- Sharpen the blade automatically for about one minute then press the pressure button on the counterburr wheel (27) for two-three seconds, release the button and turn off the motor at the same time.
- After sharpening, remove the sharpener (10) from the movable bulkhead (2) and replace it in its original housing.
- After several sharpening operations, remove any residues from the grinding wheel by alcohol and a brush.

6. CLEANING AND MAINTENANCE

Generality.

Before making the cleaning operation, remove the plug from the electrical socket and make sure that the graduated knob (6) is in position "0".

- Do not use jets of water.
- Do not use brushes that can deteriorate the surface of the machine.
- Use a soft cloth moistened with a normal neutral detergent (see for example the type included in the accessories box).
- Do not move the machine to clean it. There are available and it is recommended to use the proper anti-cut gloves to act where there is danger of cut.

Machine cleaning.

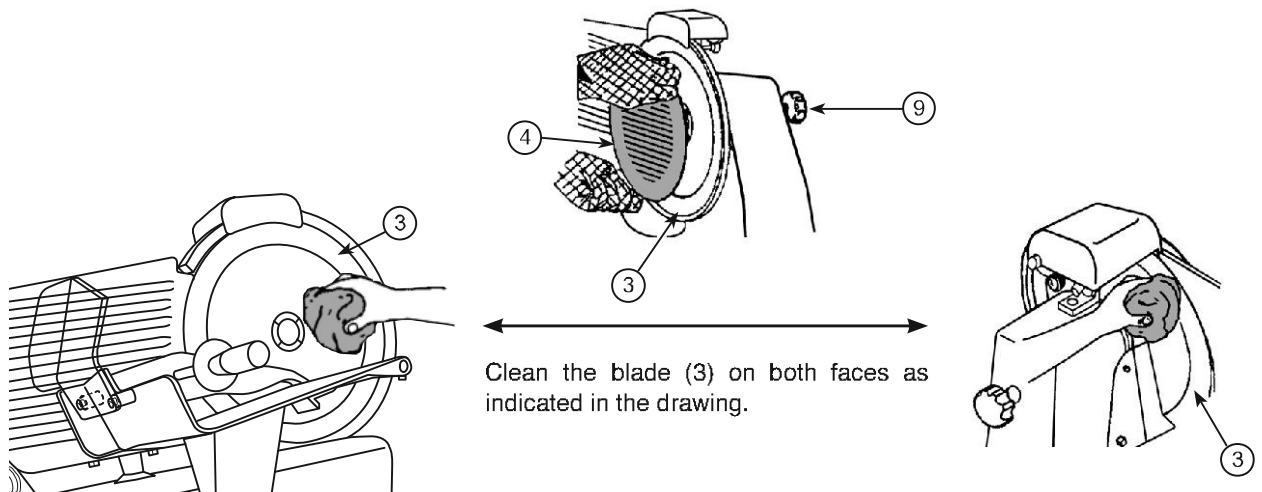
As you can notice the slicer has been designed to minimise food collection points and with eased of cleaning in mind. The machine should be cleaned at least once a day or more frequently if necessary (by each change of the type of product), making sure that all the surfaces which are in contact with food are scrupulously cleaned.

CLEANING OF THE BLADE (3)

It is not necessary to disassemble the blade for cleaning it because all its parts are reachable. The replacement must be made by specialized personnel.

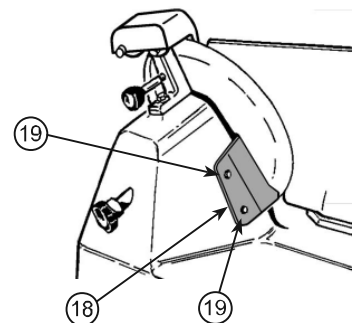
- Use cut-resistant gloves. Disassembly of the blade-cover (4).
- Loosen the knob (9) unthread it and remove the blade-cover disk (4).

IMPORTANT! A microswitch interrupts current supply whenever knob (9) is removed.



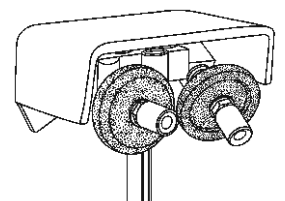
CLEANING OF THE SLICE DEFECTOR (18)

Loosen the screws (19) to remove the slice defector (18).



WHEEL CLEANING

After many sharpening operations clean the emery wheels from the sharpening residuals by the metallic brush in kit.



7. TROUBLE SHOOTING

USEFULS INFORMATION AND CONTROLS

Transmission.

The transmission is made by a multigrip belt type, the regulation is not necessary because the adherence is perfect for a lot of years.

- Pay attention not to dirty it by fat or oil because it will become slippery and lose the adherence.
- In this case it must be replaced taking care of de-greasing both the motor pin and the pulley.

Electric cable.

Check periodically its condition (there must not be any joint) If the cable is damaged, it has to be replaced by the manufacturer, its after-sales customer service or by people with a similar qualification to avoid any danger.

Blade (3).

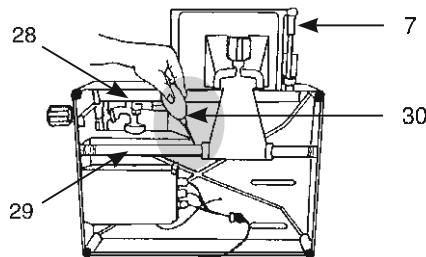
The blade has to be replaced when it is no more possible to sharpen it or when the distance between the cutting part of the blade and the blade protector is more than 6 mm

Emery wheels of the sharpener group (10).

These wheels, after a lot of sharpening operations, lose their abrasive action and they must be replaced.

Sliding bar food tray group carriage (7) (lubrication).

When the sliding of the food tray group carriage presents some frictions, it is necessary to proceed with the lubrication of the bars (28) and (29) see the picture, clean them carefully and then put some oil drops by the proper oiler (30) of the type in kit and let the carriage sliding.



8. WASTE DISPOSAL

ENVIRONMENTAL PROTECTION ADVICE



When this product reaches the end of its life, it cannot be disposed of with ordinary domestic waste.

It must be taken to a special collection point for the disposal of electrical and electronic goods.

There is an explanatory symbol on the item, in the instruction manual, or on the packaging.

Some materials may be recovered: please read the instructions carefully. Material recovery, re-use, or other forms of recycling for old appliances mean that you can play an important part in environmental protection.

Please ask your Local Authority where your recyclable waste facilities are situated.

9. SERVICE / SPARE PARTS

www.rgv.it

Bewaar deze gebruiksaanwijzing binnen handbereik bij het product

1. Algemene informatie	pagina	10
2. Veiligheid	pagina	10
3. Levering, verpakking en opslag	pagina	12
4. Technische gegevens	pagina	12
5. Installatie en werking	pagina	13
6. Reiniging en werking	pagina	15
7. Verhelpen van problemen	pagina	16
8. Afvalverwijdering	pagina	16
9. Service / onderdelen	pagina	16

1. ALGEMENE INFORMATIE

PRESENTATIE

Het is de bedoeling van deze handleiding om de klant zoveel mogelijk informatie te verschaffen over onze snijmachine en de nodige aanwijzingen te geven voor het gebruik en het onderhoud van het apparaat, zodat het steeds efficiënt kan werken.

Deze handleiding moet ter beschikking gesteld worden van de gebruiker, of van de persoon die zal instaan voor het periodieke onderhoud van de snijmachine. De handleiding moet in goede staat bewaard worden en moet opgeborgen worden op een plaats binnen handbereik, zodat ze snel geraadpleegd kan worden. De snijmachines kunnen onderhevig zijn aan productverbeteringen en het is dus mogelijk dat sommige details afwijken van de afbeeldingen. Dit heeft echter geen invloed op de informatie in deze handleiding.

BELANG VAN DE HANDLEIDING

De handleiding maakt integraal deel uit van het apparaat. Ze bevat belangrijke informatie over de veiligheid en gevaren die aangeduid worden met deze symbolen:



De opgenomen informatie zal u in staat stellen om de machine in veilige omstandigheden te gebruiken en om optimale resultaten te behalen.

VERKLARING VAN DE FABRIKANT.

Hierbij wordt bevestigd dat het apparaat dat op de kaft van deze handleiding vermeld staat, voldoet aan de beschikking 242/1991 in het kader van de Europese norm EN 55010 inzake elektromagnetische compatibiliteit. De Deutsche Bundespost werd geïnformeerd over de marketing van deze apparatuur en heeft het recht om de toepassing ervan te controleren.

2. VEILIGHEID

STROOMVOORZIENING

Alvorens het apparaat op het stroomnet aan te sluiten, moet u controleren of de spanning die op het kenplaatje van de snijmachine vermeld staat, overeenstemt met de gegevens van uw plaatselijke stroomnet.

INSTRUCTIES VOOR GEBRUIK

- Als het apparaat eenmaal uitgepakt is, plaats het dan dusdanig dat de aan/uit-schakelaar zich recht voor de gebruiker bevindt.
- Regel de snijdikte door aan de regelknop te draaien.
- Plaats de te snijden eetwaren op de slede. Duw de arm van de voedselhouder in de richting van het mesblad. Zorg ervoor dat het snijgoed tegen de beweeglijke afschermplaat rust.
- Schakel het apparaat in en activeer daarmee het mesblad.
- Draai de regelknop na het gebruik terug op de stand "0". De voedselgrijper mag niet verwijderd worden, tenzij de vorm of de afmeting van de te snijden eetwaren het gebruik ervan onmogelijk maakt.

WAARSCHUWING: TE NEMEN VOORZORGSMAATREGELEN



- **Gelieve alle instructies goed te lezen.**
- Om risico's van een elektrische schok te vermijden, het apparaat niet onderdompelen in water of enige andere vloeistof. Gebruik niet teveel water om de machine te reinigen.
- Trek de stroomstekker uit als het apparaat niet in gebruik is, of alvorens delen aan te brengen of te verwijderen en voor het reinigen.
- Vermijd contact met de bewegende delen.
- Duw de eetwaren nooit met de hand naar het mesblad.
- Gebruik altijd de volledig geassembleerde snijmachine met de voedselslede en de arm van de voedselhouder en met alle beschermingen.
- Het mesblad is scherp, wees dus voorzichtig bij het reinigen.
- Gebruik het apparaat niet als de stekker of het stroom snoer beschadigd is.
- Breng het apparaat naar de dichtstbijzijnde officiële servicedienst om het te laten nakijken en voor alle elektrische of mechanische reparaties of afstellingen.
- Het gebruik van onderdelen die niet aanbevolen of verkocht worden door de fabrikant, kunnen brand, een elektrische schok of verwondingen veroorzaken.
- Niet buiten gebruiken.

WAARSCHUWINGEN EN VEILIGHEIDSREGELS



De fabrikant wijst alle aansprakelijkheid af in geval van een onjuist gebruik van het apparaat. Gebruik de snijmachine niet voor bevroren eetwaren, vlees met botten erin of andere dingen dan voedingswaren. Controleer periodiek de toestand van het stroom snoer. Als dit beschadigd is, moet het gerepareerd worden door een vakman.

- De snijmachine niet onderdompelen in water om het apparaat te reinigen.
- De snijmachine **niet** reinigen onder een waterstraal.
- Gebruik geen verlengkabels.
- Trek niet aan het stroom snoer om de stroomstekker uit te trekken.
- Gebruik het apparaat niet met natte handen of op blote voeten.
- Plaats de snijmachine niet te dicht bij warmtebronnen. Ook al is het apparaat uitgerust met veiligheidsvoorzieningen, toch moet u ervoor zorgen dat u met uw handen uit de buurt blijft van het mesblad en de bewegende delen.

Tijdens onderhouds- of reinigingswerkzaamheden (waarvoor u de beschermingen verwijderd heeft), moet rekening gehouden worden met de resterende risico's. Voordat u begint met onderhoudswerkzaamheden aan het apparaat, moet u de stekker steeds uittrekken en controleren of de regelknop op "0" staat. Verwijder de mesbescherming periodiek door de schroef (in het midden van de mesbescherming) los te maken en reinig dan zowel het mesblad als de binnenkant van de mesbescherming met alcohol of warm water. **Waarschuwing** Dit apparaat is niet bedoeld om gebruikt te worden door personen (inclusief kinderen) met verminderde fysieke, sensorische of mentale capaciteiten of door personen met een gebrek aan ervaring en kennis, tenzij ze onder toezicht staan, of instructies gekregen hebben betreffende het gebruik van het apparaat van een persoon die verantwoordelijk is voor hun veiligheid. Houd kinderen steeds onder toezicht, zodat ze niet met het apparaat spelen. Dit is erg belangrijk, want het gaat om een snijapparaat. Het mesblad moet vervangen worden als het niet meer geslepen kan worden, of als de afstand tussen het mesblad en de mesbladbeschermer meer dan 6 mm bedraagt. Het apparaat en al zijn onderdelen kunnen gereinigd worden met een zachte doek dat met wat neutraal standaard afwasmiddel bevochtigd werd. Gebruik een zachte doek om het apparaat terug droog te maken. Als de sleewagen moeilijk beweegt, hef de snijmachine dan op en leg haar op haar kant. Reinig zorgvuldig de cilindrische schuifstang en smeer deze met industriële olie.

WAARSCHUWINGEN EN REGELS



Lees voorzichtig alle instructies voordat u het apparaat gebruikt en let vooral op de paragrafen met de pictogrammen die wijzen op informatie over de veiligheid of op gevaren.

Trek de stekker uit alvorens met enige onderhoudswerkzaamheden te starten of voor het demonteren van de beschermvoorzieningen om het apparaat te kunnen reinigen. Gebruik het apparaat niet als de beschermingen verwijderd werden.

WAARSCHUWINGEN VOOR HET GEBRUIK



De fabrikant wijst alle aansprakelijkheid af in geval van een onjuist gebruik van het apparaat.

- Snijd geen bevroren voedsel, vlees met botten, vezelachtige voedingswaren, of andere producten dan voedingsproducten.
- Stroom snoer: controleer dit periodiek en als het beschadigd is, vervang het dan door een nieuw, origineel stroom snoer.
- Het apparaat niet onderdompelen in water.
- Trek niet aan het stroom snoer om de stekker uit te trekken.
- Gebruik geen verlengkabels.
- Gebruik het apparaat niet met natte handen of op blote voeten.
- Blijf met uw handen uit de buurt van de bewegende delen, ook al zijn deze afgeschermd met veiligheidsvoorzieningen.

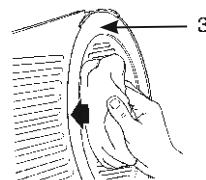
Trek voordat u begint met onderhoudswerkzaamheden aan het apparaat, de stroomstekker steeds uit en controleer of de regelknop op "0" staat.

CONTROLE

Transmissie.

Controleer nadat u de snijmachine geïnstalleerd heeft als volgt of de transmissie goed werkt:

- Gegradueerde regelknop (6) op stand "0"
- Breng het mesblad (3) met een doek aan.
- Tijdens de werking mag het mesblad (3) zelfs bij grote druk niet stil vallen.



Voedselslede.

Controleer of de bevestigingsknop (15) van de voedselslede goed gesloten is.

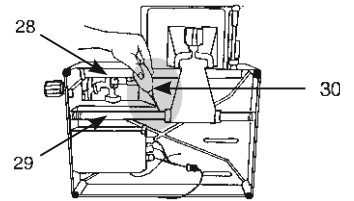
Glijcapaciteit van de voedselslede.

Controleer of de voedselslede goed glijdt.

Het zou kunnen dat sommige delen van de verpakking op de schuifbalken (28 en 29) achterblijven en het schuiven van de slede belemmeren.

Maak de vierkante stang (28) die op de tekening aangeduid is periodiek schoon met een doek (vermijd om de stang te ontvetten).

Na het periodiek reinigen van de ronde schuifstang (29), moet u deze smeren met de gepaste olie (30).



Opening van de beweeglijke afschermplaat (2).

Draai aan de regelknop (6) om te zien of het element goed werkt.

Slijpgroep (10).

Controleer of de slijpgroep (10) goed op zijn plaats aangebracht is.

3. LEVERING, VERPAKKING EN OPSLAG

TRANSPORT - BEHANDELING - OPBERGING

De machine is verpakt in een kartonnen doos met alle benodigdheden. De verpakking is geschikt voor het verzenden van het apparaat via alle transportmiddelen. De doos kan opgestapeld worden met een maximum van 3/4 dozen boven elkaar.

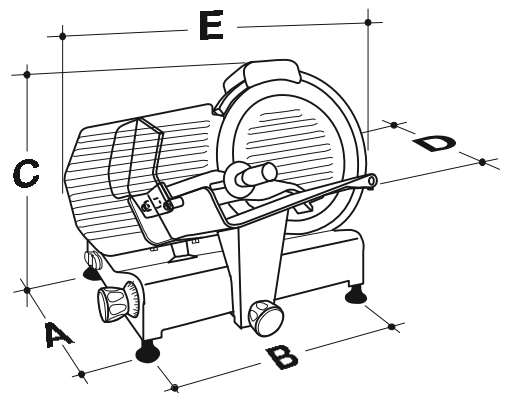


- De verpakking moet: droog bewaard worden.
- Draag de doos met 2 personen.
- Bij goederenbehandeling op paletten, alleen behandelen met transpaletten of elektrische heftrucks.

4. TECHNISCHE GEGEVENS - AFMETINGEN

GEWONE TECHNISCHE GEGEVENS

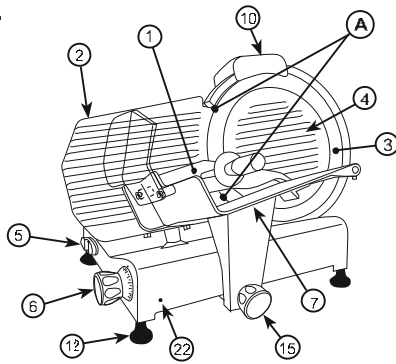
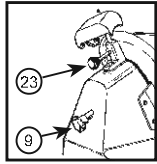
- Structuur in gietaluminium
- Mesbescherming, voedselslede en mobiele afschermplaat: in geoxideerd aluminium
- Schacht waarmee het blad gemonteerd is op een dubbele kogellager
- Professionele geventileerde motor
- Getemperd professioneel blad
- Beschermring vast blad



MODEL	LUXOR		OLIMPIA		LUSSO — LADY					DOLLY					
	20	22	22	25	195	22	25	275	300 E	220	250	300	300sg	350	
AFMETINGEN mm	A	250	250	263	263	233	263	263	263	263	260	260	315	380	380
	B	360	360	415	415	381	415	415	415	415	400	400	455	535	535
	C	300	315	325	355	292	335	365	375	390	355	365	420	460	470
	D	320	320	400	400	300	363	363	410	410	400	410	480	515	515
	E	390	410	460	490	430	448	480	505	520	425	475	570	640	680
Bladdiameter	mm	200	220	220	250	195	220	250	275	300	220	250	300	300	350
Motorvermogen	Watt	110	120	140	140	120	140	140	150	190	140	140	230	230	300
Snijcapaciteit	mm	170-130	160-150	230-160	230-180	200-130	230-165	230-185	230-190	245-215	210-155	210-175	245-220	290-210	290-255
Wagentraject	mm	210	210	255	255	210	255	255	255	255	245	245	270	310	310
Gewicht	kg	10	12	12,5	13,5	11	13	14	16,5	17,5	15	15,5	24	29	36

5. INSTALLATIE EN BEDIENING

INSTALLATIE



Environmental conditions:

Milieuvoorwaarden:

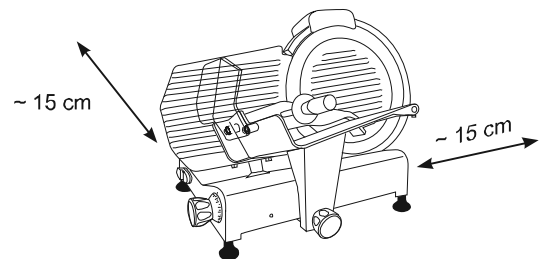
- Minimumtemperatuur + 8 °C
- Maximumtemperatuur + 38°C
- Minimumvochtigheid 30%
- Maximumvochtigheid 80%
- De snijmachine moet een stabiel oppervlak geplaatst worden om bewegingen te vermijden.
- Zorg ervoor dat niemand over de kabel kan struikelen of er ongewild aan kan trekken.

Niveauregeling.

Controleer of de mobiele afschermplaat (2) met de gegradeerde regelknop (6) in stand "0" gelijk staat met het mesblad in de zone (A). Als dat niet het geval is, regel dan de voeten (12) bij door de juiste voet wat losser of vaster te draaien.

- 1 - Arm voedselhouder
- 2 - Mobiele afschermplaat
- 3 - Mesblad
- 4 - Mesbescherming
- 5 - Aan/uit-schakelaar
- 6 - Gegradeerde regelknop
- 7 - Glijdwagen of voedselslede
- 9 - Blokkeerknop mesbescherming
- 10 - Slijpgroep
- 12 - Voeten
- 15 - Regelknop voedselslede
- 22 - Blokkering voedselslede / opening mobiele afschermplaat (BLC)
- 23 - Blokkeerknop slijpgroep

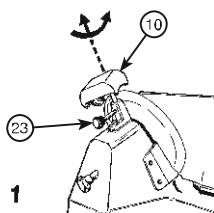
Benodigde ruimte voor het gebruik



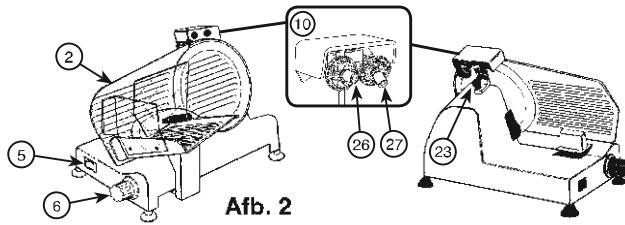
DEMONTEN VAN DE VOEDSELSLEDE MET BLOKKEERSYSTEEM VAN DE MOBIELE AFSCHERMPLAAT (BLC)

- 1°- De regelknop (6) in stand "0".
- 2°- De voedselslede (7) naar de gebruiker toe in de eindpositie.
- 3°- Draai de vergrendelknop (15) van de voedselslede (7) volledig los.
- 4°- Duw de voedselslede naar de gebruiker tot de pin onder de knop (15) in de opening (22) klikt aan de onderkant van de snijmachine, zodat de slede gedemonteerd kan worden door deze op te tillen.

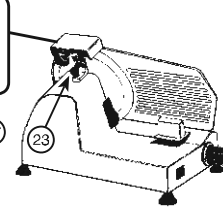
LIJPEN VAN HETMESBLAD - Bladdiameter: 220 - 250



Afb. 1



Afb. 2

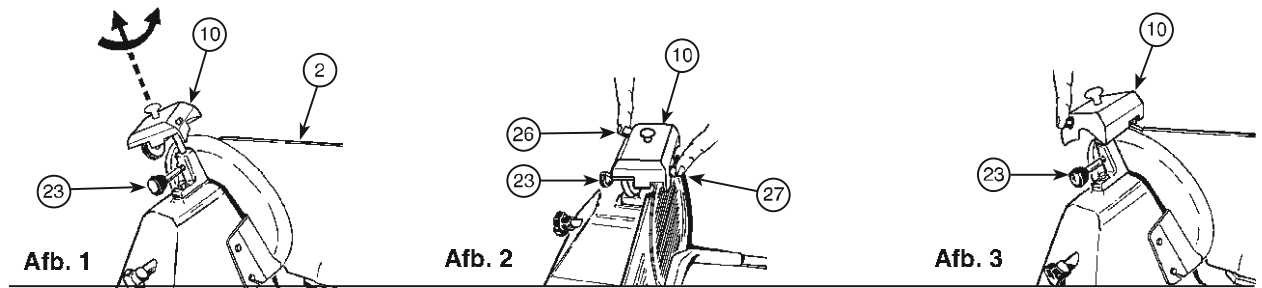


Afb. 3

SLIJPEN VAN HET MESBLAD N.B.: Er wordt op gewezen dat het blad bijzonder duurzaam is en dat dit dus enkel geslepen hoeft te worden als de snijcapaciteit ervan vermindert.

- Trek de stekker uit.
- Controleer of de beweeglijke afschermplaat (2) gesloten is (regelknop (6) in stand "0").
- Reinig zorgvuldig het gedeelte van het mesblad dat geslepen moet worden.
- Steek de stekker terug in.
- Maak de vergrendelknop (23) van de slijpgroep (10) los.
- Breng de slijpgroep omhoog door deze 180° te draaien, zodat beide wielen zich in werkpositie bevinden. Zie afb. 1-2.
- Laat de slijpgroep neer tot deze vergrendelt.
- Beveilig de groep door middel van de vergrendelknop (23).
- Inschakelen (5)
- Druk op de knop (26) en laat het blad ongeveer 1 minuut draaien. Als het blad stilstaat, controleer dan of zich enige bramen aan de rand gevormd hebben.
- Nadat u het mesblad op de aanwezigheid van bramen gecontroleerd heeft, drukt u zachtjes op de knop (27) gedurende ongeveer 3 seconden om de bramen te verwijderen die zich tijdens het slijpen gevormd hebben.
- Na het slijpen, de slijpgroep terug in zijn oorspronkelijke positie brengen en de rand van het mesblad reinigen.
- Na meerdere slijpwerkzaamheden, alle restanten van het slijp wiel verwijderen met wat alcohol en een borstel.

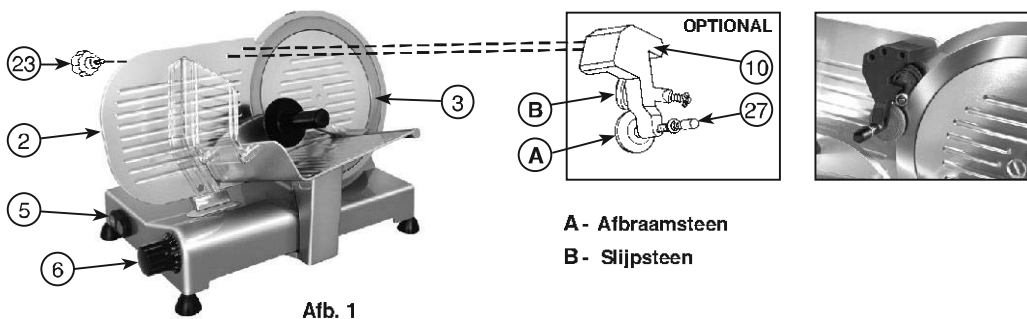
LIJPEN VAN HET MESBLAD - Bladdiameter: 300



SLIJPEN VAN HET MESBLAD N.B.: Er wordt op gewezen dat het blad bijzonder duurzaam is en dat dit dus enkel geslepen hoeft te worden als de snijcapaciteit ervan vermindert.

- Trek de stekker uit.
- Controleer of de beweeglijke afschermplaat (2) gesloten is (regelknop (6) in stand "0").
- Reinig zorgvuldig het gedeelte van het mesblad dat geslepen moet worden.
- Steek de stekker terug in.
- Maak de vergrendelknop (23) van de slijpgroep (10) los.
- Breng de slijpgroep omhoog door deze 180° te draaien, zodat beide wielen zich in werkpositie bevinden. Zie afb. 1-2.
- Laat de slijpgroep neer tot deze vergrendelt.
- Beveilig de groep door middel van de vergrendelknop (23).
- Inschakelen (5)
- Druk op de knop (26) en laat het blad ongeveer 1 minuut draaien. Als het blad stilstaat, controleer dan of zich enige bramen aan de rand gevormd hebben.
- Nadat u het mesblad op de aanwezigheid van bramen gecontroleerd heeft, drukt u zachtjes op de knop (27) gedurende ongeveer 3 seconden om de bramen te verwijderen die zich tijdens het slijpen gevormd hebben.
- Na het slijpen, de slijpgroep terug in zijn oorspronkelijke positie brengen en de rand van het mesblad reinigen.
- Na meerdere slijpwerkzaamheden, alle restanten van het slijpwiel verwijderen met wat alcohol en een borstel.

HET SNIJBLAD SLIJPEN voor modellen met verwijderbare slijper



N.B.: houd er rekening mee dat het snijblad zeer resistent is. Het hoeft daarom alleen te worden geslepen wanneer de snijcapaciteit afneemt.

- Haal de stekker uit het stopcontact.
- Reinig grondig dat deel van het snijblad dat u gaat slijpen.
- Steek de stekker weer in het stopcontact.
- Plaats de beweegbare aandrukplaat (2) zo ver mogelijk van het snijblad (3) door aan de instelknop (6) te draaien.
- Plaats de slijpgroep (10) op de beweegbare aandrukplaat (2) zoals aangegeven in fig. 1, en zet de groep vast met behulp van de knop (23).
- Druk de schakelaar voor de motor (5) in om de automatische slijping te starten. Draai, indien nodig, aan de instelknop (6) tot de slijpsteen samen met het snijblad draait.
- Laat het snijblad ongeveer een minuut automatisch slijpen, en houd dan de knop van de afbraamsteen (27) gedurende twee à drie seconden ingedrukt. Zet de motor uit op het moment dat u de knop loslaat.
- Na het slijpen verwijdert u de slijper (10) van de aandrukplaat (2) en plaatst u hem op zijn oorspronkelijke plek terug.
- Na meerdere slijpingen dient u eventuele resten op de slijpsteen te verwijderen met alcohol en een borstel.

6. REINIGING EN ONDERHOUD

Algemeenheden.

Alvorens over te gaan tot reinigingswerkzaamheden, moet u de stroomstekker uit het stopcontact trekken en controleren of de regelknop (6) in stand "0" staat.

- Gebruik geen waterstraal.
- Gebruik geen borstels die het oppervlak van het apparaat kunnen beschadigen.
- Gebruik een zachte, lichtjes bevochtigde doek met een normaal neutraal reinigingsmiddel (zie bijvoorbeeld het type dat inbegrepen is in de accessoiresdoos).
- De machine niet verplaatsen om ze te reinigen. Het is raadzaam om beschermende handschoenen te dragen om plaatsen te behandelen waar u zich zou kunnen snijden.

Reiniging van het apparaat.

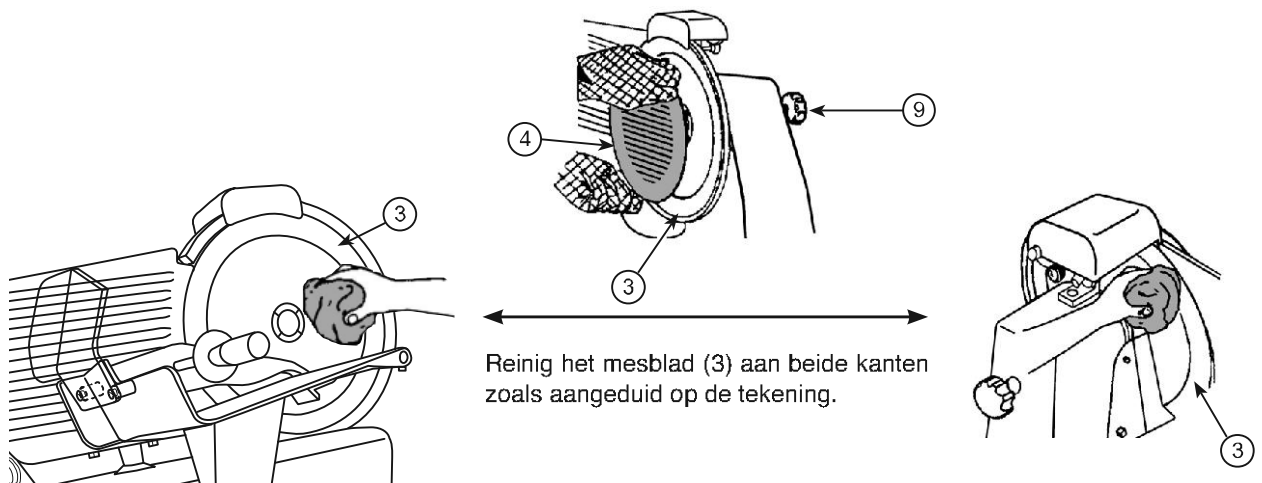
Zoals u zelf zult vaststellen, werd alles gedaan om voor een optimale gebruiksvriendelijkheid te zorgen en voor een vlotte toegankelijkheid zodat alle delen van het apparaat snel gereinigd kunnen worden zodat er geen plaatsen zijn waar de voedingsresten zich kunnen ophopen. De reiniging van de machine moet minstens een keer per dag gebeuren, of vaker indien nodig (bij elke verandering van type product). Zorg er altijd voor dat de oppervlakken die in aanraking komen met de voeding steeds zorgvuldig gereinigd worden.

REINIGING VAN HET MESBLD (3)

Het is niet nodig om het mesblad voor de reiniging te demonteren omdat alle delen goed bereikbaar zijn. De vervanging moet gebeuren door gespecialiseerd personeel.

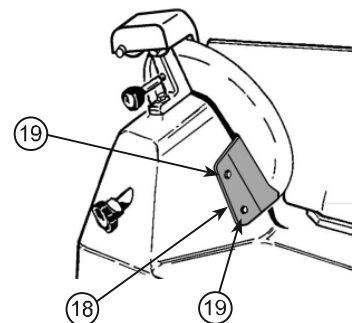
- Gebruik handschoenen die bescherming bieden tegen snijwonden. Demonteer de mesbladbescherming (4).
- Draai de knop (9) los en verwijder de schijf van de mesafdekking (4).

BELANGRIJK! Een microscharrelaar onderbreekt de spanningstoevoer als de knop (9) verwijderd wordt.



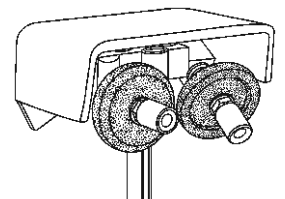
REINIGING VAN DE SNIJDEFLECTOR (18)

Los de schroeven (19) om de snijdeflector te verwijderen (18).



REINIGING VAN DE WIELEN

Na verschillende slijpoperaties de amarilwielen van slijpresten ontdoen met behulp van de metalen borstel in de kit.



7. VERHELPELEN VAN STORINGEN

NUTTIGE INFORMATIE EN CONTROLES

Transmissie.

De transmissie is gemaakt van een multigrip-riemtype. Het is niet nodig om de transmissie te regelen, want deze is perfect afgesteld voor diverse jaren.

- Let erop dat deze niet te vuil wordt door vet of olie, want dan wordt deze slippiger en kan het contact verliezen.
- In dat geval moet de transmissie vervangen worden, waarbij erop gelet moet worden dat de motorpin en de poelie van vet ontstaan worden.

Stroomsnoer.

Controleer periodiek de toestand van het stroomsnoer (dit mag geen barsten vertonen). Als het stroomsnoer beschadigd is, moet dit door de fabrikant, een erkende klantendienst of door vakmensen vervangen worden om gevaar te vermijden.

Blad (3).

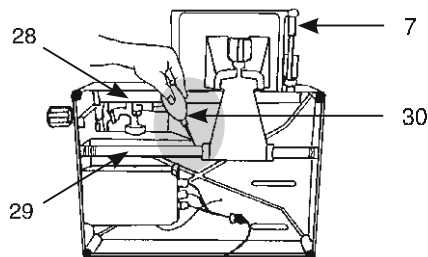
Het blad moet vervangen worden als het niet langer mogelijk is om het te slijpen, of als de afstand tussen de snijdelen van het blad en de bladbescherming meer dan 6 mm bedraagt.

Amarilwielen van de slijpgroep (10).

Deze wielen lossen na een aantal slijpbeurten hun schuurfunctie en moeten vervangen worden.

Schuifstang van de voedselslede (7) (smering).

Als bij het verschuiven van de voedselslede wat wrijving ontstaat, moet overgegaan worden tot het smeren van de stangen (28) en (29); zie de afbeelding. Reinig ze zorgvuldig en breng enkele druppels olie aan met de oliefles (30) van het type in de kit en laat de wagen verschuiven.



8. AFVALVERWIJDERING

ADVIES MET HET OOG OP DE MILIEUBESCHERMING



Als dit product het einde van zijn nuttige levensduur bereikt heeft, verwijder het dan niet samen met het gewone huishoudelijke afval. Het moet naar een speciaal inzamelpunt gebracht worden voor de verwijdering van elektrisch en elektronisch afval. Er staat een speciaal symbool op het product, in de bedieningshandleiding of op de verpakking. Sommige materialen kunnen gerecycleerd worden.

Gelieve de instructies zorgvuldig te lezen.

Materiaalrecuperatie, hergebruik of andere vormen van recycling voor oude apparatuur betekent dat u een belangrijke rol kunt spelen in de bescherming van het milieu.

Vraag in uw gemeente informatie over de plaatselijke recyclingcentra.

9. SERVICE / ONDERDELEN

www.rgv.it

Conservez ce mode d'emploi à portée de main, près du produit !

1. informations générales	page	17
2. Sécurité	page	17
3. Livraison, emballage et stockage	page	19
4. Données techniques	page	19
5. Installation et fonctionnement	page	20
6. Nettoyage et maintenance	page	22
7. Pannes	page	23
8. Traitement des déchets	page	23
9. Maintenance / pièces de rechange	page	23

1. INFORMATIONS GÉNÉRALES

Chers clients,
avant d'utiliser cet appareil, veuillez lire ce mode d'emploi.
Nous vous remercions de votre confiance.

PRÉSENTATION

L'objectif de ce manuel est de fournir au client le plus d'informations possible sur notre trancheuse, ainsi que les instructions liées à son utilisation et à sa maintenance afin de préserver son efficacité. Ce manuel doit être transmis à la personne responsable de l'utilisation et de la maintenance périodique de la trancheuse. Ce manuel doit être conservé en bon état et stocké dans un endroit accessible pour pouvoir le consulter rapidement. Les trancheuses peuvent être modifiées et, par conséquent, des détails peuvent diverger de ceux indiqués ici. Cela n'a aucune conséquence sur les informations fournies dans ce manuel.

IMPORTANT DU MANUEL

Le manuel fait partie intégrante de la machine. Il comprend des informations importantes concernant la sécurité et les dangers, signalés par ces symboles:



Ces informations vous assureront une utilisation parfaitement sécurisée et un résultat de satisfaction maximale.

DÉCLARATION DU FOURNISSEUR

Nous certifions que l'équipement mentionné sur la couverture de ce mode d'emploi est conforme à la directive BMPT 242/1991 liée à la réglementation européenne EN 55014 concernant l'immunité aux perturbations.

La Deutsche Bundespost a été informée de la commercialisation de cet équipement et a le droit de contrôler son utilisation.

2. SÉCURITÉ

TENSION DU SECTEUR

Avant le branchement, vérifiez que la tension du secteur correspond à la tension indiquée sur la trancheuse (plaque signalétique).

INSTRUCTIONS D'UTILISATION

- Une fois déballée, placez-la de telle sorte que le bouton On / Off soit face à l'opérateur.
- Réglez l'épaisseur des tranches désirée en tournant le bouton gradué.
- Placez l'aliment à trancher sur le chariot coulissant en le poussant contre le serre-viande face à la lame en vous assurant que l'aliment reste contre la paroi amovible.
- Allumez l'appareil, activez la lame.
- Après utilisation, remettez le bouton gradué en position « 0 ».
- La poignée ne doit pas être retirée à moins que la forme et la taille de l'aliment ne permettent pas son utilisation.

ATTENTION: PRÉCAUTIONS À PRENDRE

- **Lisez attentivement toutes les instructions.**
- Afin de prévenir tout risque de choc électrique, **ne plongez pas l'appareil dans l'eau ou tout autre liquide. Ne procédez pas au nettoyage de la machine à grande eau.**
- Avant de mettre ou d'enlever des pièces ou avant de nettoyer l'appareil, débranchez-le lorsqu'il est éteint.
- **Évitez tout contact avec les parties en mouvement.**
- **Ne poussez jamais les aliments à la main.**
- **Utilisez toujours la trancheuse entièrement montée avec plateau et serre-viande et dotée de toutes les protections.**
- **La lame est coupante**, manipulez-la avec précaution lors du nettoyage.
- **N'utilisez aucun appareil** présentant un câble ou une prise endommagé(e).
- Renvoyez l'appareil chez la société de maintenance certifiée la plus proche pour le faire examiner et pour effectuer tous les ajustements électriques et mécaniques possibles et nécessaires.
- L'utilisation de pièces de rechange non recommandées ou non vendues par le fabricant peut provoquer un incendie, un choc électrique ou des blessures.
- N'utilisez pas l'appareil à l'extérieur.

AVERTISSEMENTS ET RÈGLES DE SÉCURITÉ

Le fabricant décline toute responsabilité en cas de mauvaise utilisation de la machine.

N'utilisez pas la trancheuse pour des aliments congelés, de la viande avec os ou toute chose autre que des aliments.

Vérifiez régulièrement l'état du câble. S'il est endommagé, il doit être remplacé par une personne qualifiée.

- N'immergez pas la trancheuse dans l'eau lors de son lavage.
- La trancheuse **ne doit pas** être lavée au jet d'eau.
- N'utilisez pas de rallonge.
- Ne tirez pas sur le câble pour le débrancher.
- N'utilisez pas la machine lorsque vous avez les mains mouillées ou les pieds nus.
- Maintenez la trancheuse éloignée des sources de chaleur.

Même si la machine est dotée de dispositifs de sécurité, tenez vos mains éloignées de la lame et des parties en mouvement.

Lors de la maintenance ou du nettoyage (donc, lorsque les protections ont été enlevées), les risques existants sont à prendre sérieusement en considération. Avant de réaliser toute opération de maintenance, veillez à ce que la machine soit débranchée et à ce que le bouton gradué soit en position « 0 ». Démontez régulièrement le protège-lame, dévissez la vis (au centre du protège-lame), nettoyez ensuite la lame et l'intérieur du protège-lame avec de l'alcool et de l'eau chaude.

Avertissement Cet appareil n'est pas conçu pour être utilisé par des personnes (y compris les enfants) aux capacités physiques, sensorielles ou mentales réduites ou par des personnes sans expérience ou connaissance, à moins qu'elles ne soient sous la surveillance d'un intermédiaire responsable de leur sécurité ou qu'elles aient reçu des instructions préalables sur l'utilisation de l'appareil. Il est préférable de surveiller les enfants afin de s'assurer qu'ils ne jouent pas avec l'appareil. Cette opération doit être réalisée avec la plus grande attention car il s'agit d'un appareil de découpe. La lame doit être remplacée lorsqu'il n'est plus possible de l'affûter ou lorsque la distance entre la partie coupante de la lame et la protection de lame est supérieure à 6 mm. La machine et toutes ses pièces doivent être nettoyées avec des chiffons doux et humides et à l'aide de détergents neutres standards. Utilisez des chiffons doux pour sécher. Lorsque le coulisement du chariot devient difficile, levez la trancheuse et placez-la sur le côté. Nettoyez soigneusement la barre cylindrique de coulisement et lubrifiez-la avec de l'huile industrielle.

AVERTISSEMENTS ET RÈGLES D'UTILISATION

Lisez attentivement toutes les instructions avant de commencer à utiliser la machine. Faites particulièrement attention aux paragraphes comportant des symboles de sécurité et de danger.

Débranchez l'appareil avant les opérations de maintenance ou de démontage pour le nettoyage des protections.

N'utilisez pas la machine lorsque les protections sont enlevées.

AVERTISSEMENTS POUR L'UTILISATION

Le fabricant décline toute responsabilité en cas d'utilisation inappropriée de la machine :

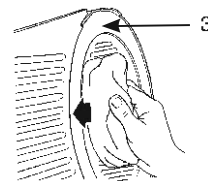
- Ne tranchez pas d'aliments congelés, de viande avec os, de produits non alimentaires ou de légumineuses.
- Câble électrique : vérifiez-le régulièrement, en cas de dommages, remplacez-le par un câble d'origine.
- N'immergez pas la trancheuse dans l'eau pour la nettoyer.
- Ne tirez pas sur le câble pour le débrancher.
- N'utilisez pas de rallonge.
- N'utilisez pas la machine lorsque vous avez les mains mouillées ou les pieds nus.
- N'approchez pas vos mains des pièces en mouvement même s'il existe des dispositifs de sécurité.
- **Avant de réaliser toute opération de maintenance, débranchez la machine et assurez-vous que le bouton gradué (6) est en position "0".**

CONTRÔLE

Transmission.

Vérifiez le bon fonctionnement de la transmission après avoir installé la trancheuse de la façon suivante:

- Bouton gradué (6) en position "0".
- Démarrez la trancheuse.
- Pressez un tissu sur la lame (3) pour la freiner ; la lame ne doit pas s'arrêter même en cas de forte pression.



Chariot avec plateau.

Vérifiez que le bouton de verrouillage (15) du plateau est bien fermé.

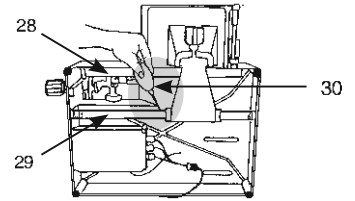
Capacité de coulissement du chariot avec plateau.

Vérifiez que le chariot coulisse à son maximum.

Il est possible que des morceaux d'emballage soient restés sur les barres de coulissement (28 et 29) et rendent la coupe imparfaite.

Nettoyez la barre carrée (28), indiquée sur l'image, avec un chiffon (tout en évitant de dégraisser la barre).

Régulièrement, après avoir nettoyé la barre de coulissement ronde (29), lubrifiez avec de l'huile propre (30).



Ouverture de la paroi amovible (2).

Tournez le bouton gradué (6) à son maximum pour vérifier son bon fonctionnement.

Affûteur (10).

Vérifiez que l'affûteur (10) est parfaitement inséré dans son emplacement.

3. LIVRAISON, EMBALLAGE ET STOCKAGE

TRANSPORT - MANUTENTION - STOCKAGE

La machine est emballée dans une boîte en carton incluant les prises.

L'emballage est approprié à tout type de transport.

Il est possible d'empiler les cartons les uns sur les autres, avec un maximum de 3-4 cartons.

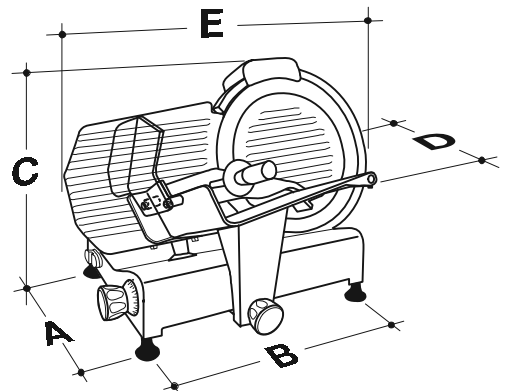


- Le paquet doit être: tenu au sec.
- Manipulé par 2 personnes.
- Sur palette, à manipuler uniquement par transpalette ou par élévateur électrique.

4. DONNÉES TECHNIQUES - DIMENSIONS

CARACTÉRISTIQUES TECHNIQUES

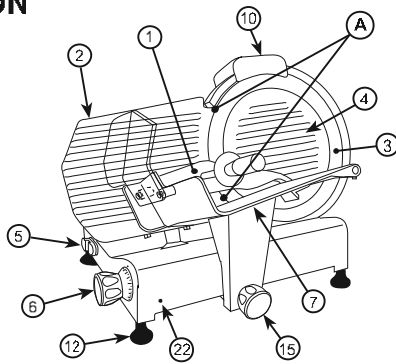
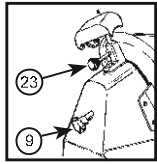
- Structure en fonte d'aluminium
- Protège-lame, plateau et paroi amovible en oxyde d'aluminium
- Axe supportant la lame monté sur un double roulement à billes
- Moteur professionnel ventilé
- Lame professionnelle en acier trempé
- Anneau de protection de lame fixe



MODÈLE	LUXOR		OLIMPIA		LUSSO — LADY					DOLLY					
	20	22	22	25	195	22	25	275	300 E	220	250	300	300sg	350	
DIMENSIONS mm	A	250	250	263	263	233	263	263	263	263	260	260	315	380	380
	B	360	360	415	415	381	415	415	415	415	400	400	455	535	535
	C	300	315	325	355	292	335	365	375	390	355	365	420	460	470
	D	320	320	400	400	300	363	363	410	410	400	410	480	515	515
	E	390	410	460	490	430	448	480	505	520	425	475	570	640	680
Ø DU COUTEAU	mm	200	220	220	250	195	220	250	275	300	220	250	300	300	350
Puissance moteur	Watt	110	120	140	140	120	140	140	150	190	140	140	230	230	300
Épaisseur des tranches	mm	170-130	160-150	230-160	230-180	200-130	230-165	230-185	230-190	245-215	210-155	210-175	245-220	290-210	290-255
Course du chariot	mm	210	210	255	255	210	255	255	255	255	245	245	270	310	310
Poids	kg	10	12	12,5	13,5	11	13	14	16,5	17,5	15	15,5	24	29	36

5. INSTALLATION ET FONCTIONNEMENT

INSTALLATION



Conditions environnementales:

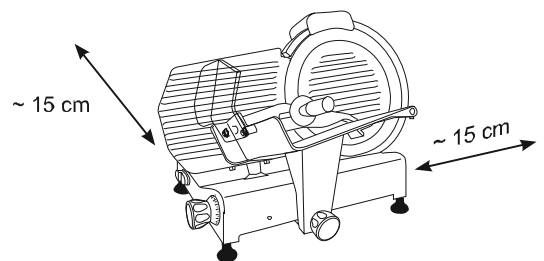
- Température minimum + 8 °C
- Température maximum + 38 °C
- Humidité minimum 30%
- Humidité maximum 80%
- La trancheuse doit être placée sur un support stable pour éviter qu'elle ne bouge.
- Le câble doit être branché de façon à ce qu'il ne soit pas possible de se prendre les pieds dedans ou de glisser.

Égalisateur.

Vérifiez, avec le bouton gradué (6) en position " 0 ", que la paroi amovible (2) est alignée à la lame dans la zone (A). En cas de mauvais alignement, agissez sur le pied (12) en dévissant ou vissant le pied concerné.

- 1 - Serre-viande
- 2 - Paroi amovible
- 3 - Lame
- 4 - Protège-lame
- 5 - Bouton On / Off
- 6 - Bouton gradué
- 7 - Chariot coulissant ou plateau coulissant
- 9 - Bouton de blocage du protège-lame
- 10 - Affûteur
- 12 - Pied
- 15 - Bouton de verrouillage du plateau
- 22 - Trou paroi amovible / plateau
- 23 - Bouton de blocage de l'affûteur

Espace nécessaire à l'utilisation



DÉMONTAGE DU PLATEAU AVEC SYSTÈME DE BLOCAGE DE LA PAROI AMOVIBLE

- 1° - Bouton gradué (6) en position " 0 ".
- 2° - Plateau (7) vers l'opérateur en fin de position de coulissement.
- 3° - Desserrez entièrement le bouton de verrouillage (15) du plateau (7).
- 4° - Poussez le plateau vers l'opérateur jusqu'à ce que la tige sous le bouton (15) entre dans le trou (22) à la base de la trancheuse pour permettre le démontage du plateau en le montant à la verticale.

AFFÛTAGE DE LA LAME - diamètre lame: 220 - 250

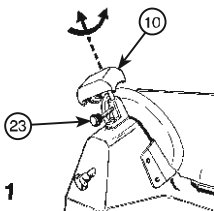


Fig. 1

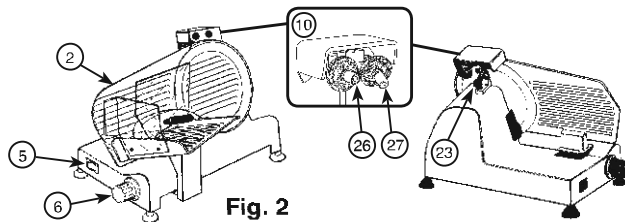


Fig. 2

Fig. 3

N.B.: veuillez noter que la lame est très résistante, par conséquent l'affûtage n'est nécessaire que lorsque la capacité de découpe diminue.

- Débranchez.
- Vérifiez que la paroi amovible (2) est fermée (bouton gradué (6) en position « 0 »).
- Nettoyez soigneusement la partie de la lame qui a besoin d'être affûtée.
- Rebranchez.
- Desserrez le bouton de verrouillage (23) de l'affûteur (10).
- Levez l'affûteur, en le tournant de 180° afin que les deux meules soient en position de fonctionnement. Voir Fig. 1.
- Abaissez l'affûteur (10) jusqu'à ce qu'il se bloque.
- Sécurisez l'affûteur en tournant le bouton de verrouillage (23).
- Allumez (5).
- Pressez le bouton (26) et laissez la lame tourner pendant environ 1 minute. Lorsque la lame est immobile, vérifiez si des bavures se sont formées sur le bord.
- Après avoir vérifié la présence de bavures, allumez et pressez légèrement le bouton (27) pendant environ 3 secondes pour éliminer les bavures produites par l'affûtage.
- Après l'affûtage, remplacez l'affûteur dans sa position initiale et nettoyez le bord de la lame.
- Après plusieurs opérations d'affûtage, éliminez les résidus de la meule d'affûtage avec de l'alcool et une brosse.

AFFÛTAGE DE LA LAME - diamètre lame: 300

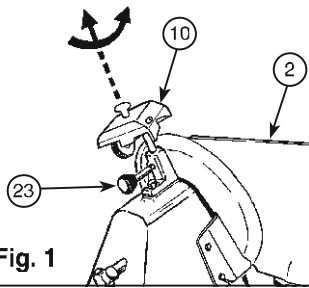


Fig. 1

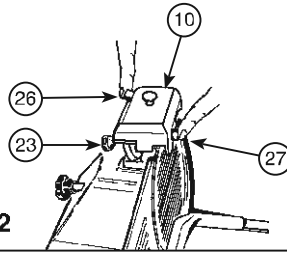


Fig. 2

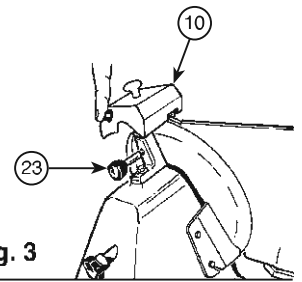


Fig. 3

N.B.: veuillez noter que la lame est très résistante, par conséquent l'affûtage n'est nécessaire que lorsque la capacité de découpe diminue.

- Débranchez.
- Vérifiez que la paroi amovible (2) est fermée (bouton gradué (6) en position « 0 »).
- Nettoyez soigneusement la partie de la lame qui a besoin d'être affûtée.
- Rebranchez.
- Desserrez le bouton de verrouillage (23) de l'affûteur (10).
- Levez l'affûteur, en le tournant de 180° afin que les deux meules soient en position de fonctionnement. Voir Fig. 1.
- Abaissez l'affûteur (10) jusqu'à ce qu'il se bloque.
- Sécurisez l'affûteur en tournant le bouton de verrouillage (23).
- Allumez (5).
- Pressez le bouton (26) et laissez la lame tourner pendant environ 1 minute. Lorsque la lame est immobile, vérifiez si des bavures se sont formées sur le bord.
- Après avoir vérifié la présence de bavures, allumez et pressez légèrement le bouton (27) pendant environ 3 secondes pour éliminer les bavures produites par l'affûtage.
- Après l'affûtage, remplacez l'affûteur dans sa position initiale et nettoyez le bord de la lame.
- Après plusieurs opérations d'affûtage, éliminez les résidus de la meule d'affûtage avec de l'alcool et une brosse.

AFFÛTAGE DE LA LAME pour modèles avec affuteur removable.

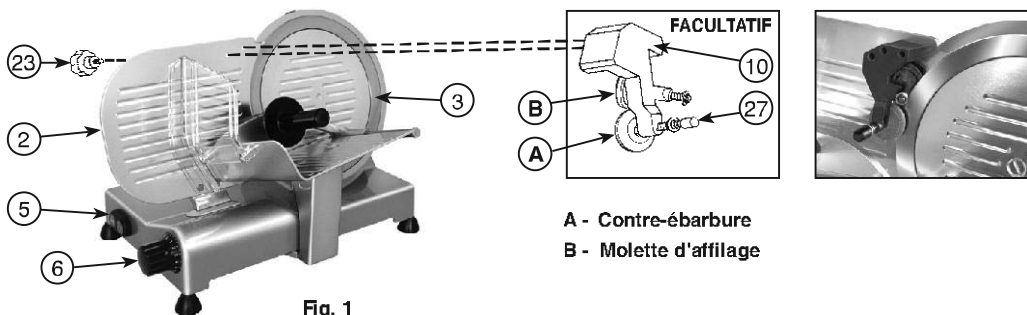


Fig. 1

N.B.: la lame est du type à haute résistance. Opération à effectuer lorsque la capacité de coupe de la lame diminue.

- Débrancher l'épingle de la machine.
- Nettoyer avec soin la partie de la lame à affûter.
- Rebrancher l'épingle du courant.
- Positionner le séparateur mobile (2) à la distance maximum de la lame (3) en tournant le bouton gradué (6).
- Appliquer le bloc affûteur (10) sur le séparateur mobile (2) comme indiqué sur la fig. 1 en le bloquant sur celui-ci à l'aide de la poignée (23).
- Appuyer sur l'interrupteur actionnant le moteur (5) pour mettre en route l'affûtage automatique; si nécessaire, tourner le bouton gradué (6) jusqu'à ce que la meule affûteuse tourne avec la lame.
- Laisser aiguiser automatiquement la lame pendant environ une minute, procéder ensuite en pressant le bouton de la meule contre-bavure (27) pendant environ deux-trois secondes; ne plus exercer de pression sur le bouton et éteindre en même temps le moteur.
- Après l'affûtage, ôter l'affûteur (10) du séparateur mobile (2) et le replacer dans son logement d'origine.
- Après plusieurs affûtages, éliminer de les meules affûteuses les éventuels résidus à l'aide d'alcool et d'une petite brosse.

6. NETTOYAGE ET MAINTENANCE

Généralités.

Avant de procéder à une opération de nettoyage, débranchez l'appareil et assurez-vous que le bouton gradué (6) est en position «0».

- N'utilisez pas de jet d'eau.
- N'utilisez pas de brosse qui pourrait endommager la surface de la machine.
- Utilisez un chiffon doux humide avec un détergent neutre (voir par exemple le type de détergent inclus dans la boîte d'accessoires).
- Ne déplacez pas la machine pour la nettoyer. Il est recommandé d'utiliser les gants anticoupeure appropriés pour intervenir là où il existe un danger de coupure.

Nettoyage de la machine.

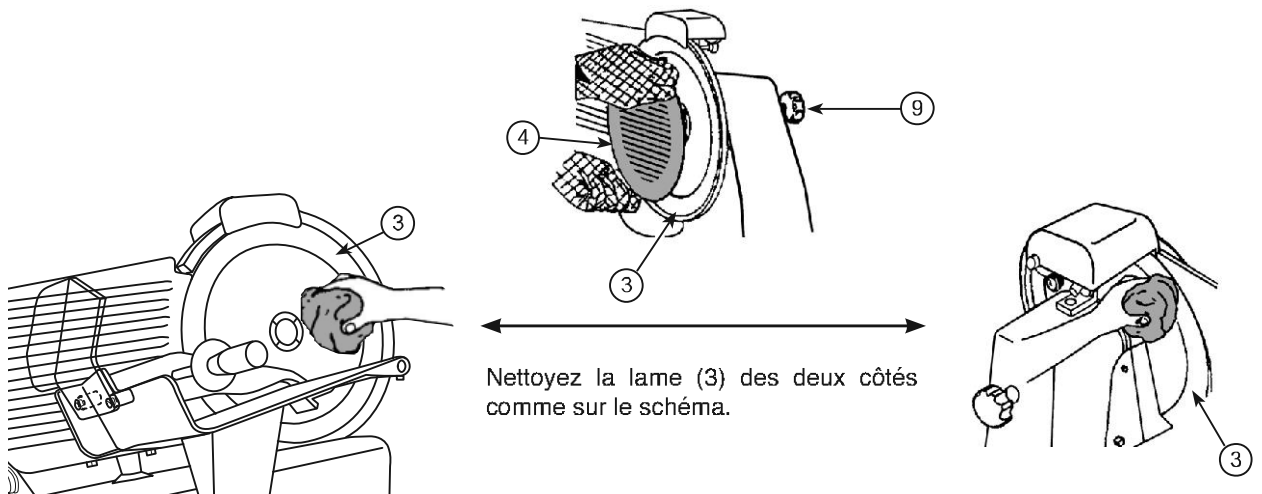
Comme vous pouvez le constater, la trancheuse a été conçue dans l'optique d'un nettoyage facile, rapide et parfait de toutes les pièces, sans aucun endroit où les restes alimentaires pourraient stagner. La machine doit être nettoyée au moins une fois par jour ou plus souvent si nécessaire (pour chaque nouveau produit) afin d'assurer la parfaite propreté de toutes les surfaces en contact avec les aliments.

NETTOYAGE DE LA LAME (3)

Il n'est pas nécessaire de démonter la lame pour la nettoyer car toutes les parties sont accessibles. Le remplacement doit être effectué par une personne qualifiée.

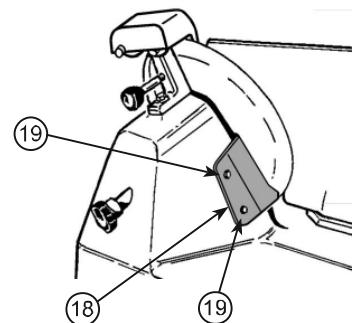
- Utilisez des gants anti-coupure. Démontage du cache-lame (4).
- Desserrez le bouton (9), enlevez-le et enlevez le disque cache-lame (4).

IMPORTANT ! Un microcontacteur coupe l'alimentation électrique dès que la molette. (9) est enlevée.



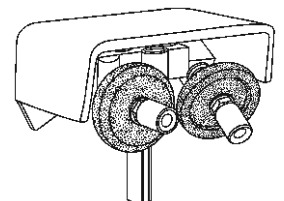
NETTOYAGE DU DÉFLECTEUR DE TRANCHE (18)

Desserrez les vis (19) pour enlever le déflecteur de tranche (18).



NETTOYAGE DE MEULE

Après plusieurs opérations d'affûtage, nettoyez les meules d'émeri en enlevant les résidus avec la brosse métallique présente dans le kit.



7. PANNES

INFORMATIONS UTILES ET CONTRÔLES

Transmission.

La transmission se fait par une courroie multibande, le réglage n'est pas nécessaire car l'adhérence reste parfaite pendant de nombreuses années.

- Veillez à ne pas la salir avec de la graisse ou de l'huile, car elle deviendrait glissante et perdrait de son adhérence.
- Dans ce cas, elle devrait être remplacée en prenant soin de dégraisser à la fois l'axe du moteur et la poulie.

Câble électrique.

Vérifiez régulièrement son état (il ne doit pas y avoir de raccord). Si le câble est endommagé, il doit être remplacé par le fabricant, son service après-vente ou par une personne de qualification similaire afin d'éviter tout danger.

Lame (3).

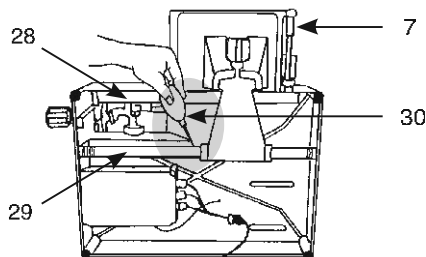
La lame doit être remplacée lorsqu'il n'est plus possible de l'affûter ou lorsque la distance entre la partie coupante et la protection de la lame est supérieure à 6 mm.

Meules émeri de l'affûteur (10).

Après de nombreuses opérations d'affûtage, ces meules perdent leur efficacité abrasive et doivent être remplacées.

Barre de coulissement du chariot avec plateau (7) (lubrification).

Lorsque le coulissement du chariot avec plateau présente des frictions, il est nécessaire de procéder à la lubrification des barres (28) et (29), voir la figure. Nettoyez-les soigneusement et mettez quelques gouttes d'huile appropriée (30) du type de celle qui se trouve dans le kit et faites coulisser le chariot.



8. TRAITEMENT DES DÉCHETS

CONSEIL POUR LA PROTECTION DE L'ENVIRONNEMENT



Lorsque ce produit arrive en fin de vie, il ne peut pas être jeté avec les déchets domestiques ordinaires. Il doit être déposé dans un point de collecte spécifique au dépôt de biens électriques et électroniques.

Un symbole illustratif se trouve sur l'article, dans le mode d'emploi ou sur l'emballage.

Certains matériaux doivent être récupérés : veuillez lire attentivement les instructions.

La récupération de matériaux, la réutilisation et autres formes de recyclage des vieux appareils font que vous pouvez jouer un rôle important dans la protection environnementale.

Veillez contacter les autorités locales afin de connaître le lieu de dépôt des déchets recyclables le plus proche.

9. MAINTENANCE / PIÈCES DE RECHANGE

www.rgv.it

Bitte diese Anleitung griffbereit aufbewahren!

1. Allgemeine Informationen	Seite	24
2. Sicherheit	Seite	24
3. Lieferung, Verpackung und Aufbewahrung	Seite	26
4. Technische Daten	Seite	26
5. Installation und Bedienung	Seite	27
6. Reinigung und Bedienung	Seite	29
7. Fehlerbehebung	Seite	30
8. Abfallentsorgung	Seite	30
9. Reparaturen / Ersatzteile	Seite	30

1. ALLGEMEINE INFORMATIONEN

Sehr geehrte Kunden,

Bevor Sie dieses Gerät benutzen, bitte die Gebrauchsanleitung sorgfältig durchlesen.

Wir bedanken uns für Ihr Vertrauen.

VORWORT

Ziel dieses Handbuchs ist es, dem Kunden so viel Informationen wie möglich zur Bedienung und Pflege unseres Allesschneiders zu geben, damit das Gerät immer optimal funktioniert.

Dieses Handbuch sollte der für die Bedienung und regelmäßiger Pflege des Allesschneiders verantwortlichen Person ausgehändigt werden. Das Handbuch sollte immer sorgfältig und in Reichweite zum späteren Nachschlagen aufbewahrt werden.

Die Allesschneider unterliegen permanenten Überarbeitungen und technischen Weiterentwicklungen, daher können sie Details enthalten, die von der Abbildung abweichen.

Dies hat jedoch keinen Einfluss auf die Angaben in dieser Gebrauchsanleitung.

BEDEUTUNG DES HANDBUCHS

Das Handbuch ist vollständiger Bestandteil der Maschine. Es enthält wichtige Informationen zur Sicherheit und Gefahren, die mit diesen Symbolen gekennzeichnet werden.



Die darin enthaltene Information ermöglicht es Ihnen, die Maschine absolut sicher zu bedienen und optimale Schnittergebnisse zu erzielen.

ERKLÄRUNG DES HERSTELLERS.

Wir bestätigen hiermit, dass dieses auf dem Deckblatt abgebildete Gerät in Übereinstimmung mit den Bestimmungen BMPT-ArnstbIVfg 242/1991 hinsichtlich der europäischen Norm EN 55014 funkentstört ist.

Die Deutsche Bundespost wurde von der Vermarktung dieses Gerätes in Kenntnis gesetzt und hat das Recht, seine Anwendung zu überwachen.

2. SICHERHEIT

NETZSPANNUNG

Vor dem Anschließen an eine Netzsteckdose bitte prüfen, ob die auf dem Geräteschild des Allesschneiders angegebene Spannung mit der Spannung Ihres Netzstroms übereinstimmt.

GEBRAUCHSANWEISUNG

- Nach dem Auspacken das Gerät so aufstellen, dass sich der Ein-/Ausschalter direkt vor dem Bediener befindet.
- Stellen Sie die gewünschte Scheibendicke mithilfe des Einstellrads ein.
- Legen Sie das Schnittgut auf den Schlitten und drücken Sie es gegen den Schnittguthaltearm vor dem Messer und achten Sie darauf, dass das Schnittgut fest gegen den beweglichen Restehalter gedrückt wird.
- Durch das Einschalten des Gerätes wird auch das Schneidmesser aktiviert.
- Nach der Verwendung das Einstellrad auf die Position "0" zurückdrehen. Der Restehalter sollte nicht entfernt werden, bis seine Verwendung durch Form und Größe des Schnittgutes nicht mehr möglich ist.

WARNUNG: VORSICHTSMASSNAHMEN



- Bitte lesen Sie alle Anleitungen gründlich durch.
- Zum Schutz vor Stromschlag, das Gerät **niemals in Wasser oder andere Flüssigkeiten tauchen**. Die Maschine nicht mit zu viel Wasser reinigen.
- Bei Nichtbenutzung des Gerätes oder vor dem Reinigen den **Stecker aus der Steckdose ziehen**.
- **Kontakt mit den beweglichen Teilen des Gerätes vermeiden**.
- **Niemals das zu Schnittgut mit der Hand vorschieben**.
- **Stets den vollständig zusammengebauten Alleschneider benutzen, d.h. mit Tablett und Schnittguthaltearm und mit allen Schutzeinrichtungen**.
- **Das Messer ist scharf**, beim Reinigen bitte sehr vorsichtig vorgehen.
- **Niemals ein Gerät mit einem beschädigten Stecker oder Kabel verwenden**.
- Schicken Sie das Gerät zum Hersteller oder zu seinem technischen Kundendienst zur Überprüfung, Reparatur oder für sonstige elektrische oder mechanische Einstellungen zurück.
- Die Benutzung von nicht vom Hersteller empfohlenen oder verkauften Zubehörteilen kann zu Brand, Stromschlag oder Verletzungen führen.
- Nicht im Freien benutzen.

WARN- UND SICHERHEITSHINWEISE



Der Hersteller lehnt jegliche Haftung im Falle einer unsachgemäßen Benutzung der Maschine ab.

Bitte den Alleschneider nicht zum Schneiden von gefrorenen Speisen, Fleisch mit Knochen oder anderen Dingen als Lebensmittel benutzen. Prüfen Sie regelmäßig den Kabelzustand; sollte es beschädigt sein, muss es von einem Fachmann ausgetauscht werden.

- Den Alleschneider nicht zum Reinigen ins Wasser tauchen.
- Der Alleschneider **darf nicht** mit einem Dampfstrahlgerät gereinigt werden.
- Bitte keine Verlängerungskabel benutzen.
- Auf keinen Fall dabei am Kabel ziehen.
- Die Maschine nicht mit nassen Händen oder Barfuß benutzen.
- Den Alleschneider von Hitzequellen fern halten. Obwohl die Maschine über Sicherheitseinrichtungen verfügt, sollten Sie die Hände vom Messer und den beweglichen Teilen fern halten. Während der Wartung oder den Reinigungsarbeiten (da die Schutzvorrichtungen abgenommen werden), sollte das Restrisiko berücksichtigt werden. Bevor Sie Wartungsarbeiten durchführen, sollten Sie den Stecker ziehen und darauf achten, dass das Einstellrad auf der Position "0" steht. Entfernen Sie den Messerschutz regelmäßig; lösen Sie hierzu die Schraube (in der Mitte des Messerschutzes) und reinigen Sie Messer und Innenteil des Messerschutzes mit Alkohol oder warmem Wasser. **Warnhinweis:** Dieses Gerät ist nicht zur Benutzung von Personen (einschl. Kindern) mit Behinderungen (körperlich oder geistig) oder Personen ohne Erfahrung gedacht, es sei denn, Sie haben diese Personen unter Aufsicht eines für ihre Sicherheit verantwortlichen Erwachsenen gestellt. Kinder sollten beaufsichtigt werden, damit sie mit dem Gerät nicht spielen. Dieser Vorgang muss mit der größtmöglichen Sorgfalt durchgeführt werden, da es sich um ein Schneidwerkzeug handelt. Das Messer muss ausgetauscht werden, wenn es keine Möglichkeit mehr gibt, es zu schärfen oder wenn der Abstand zwischen dem schneidenden Teil des Messers und dem Messerschutz über 6 mm beträgt. Die Maschine und alle ihre Teile sollten mit einem weichen in neutralem Reinigungsmittel getränkten Tuch abgewischt werden. Mit einem weichen Tuch trocken reiben. Sollte sich der Transportschlitten schwer bewegen lassen, heben Sie den Alleschneider an und legen Sie ihn auf die Seite. Reinigen Sie die zylindrischen Gleitstangen sorgfältig und schmieren Sie sie mit etwas Industrieöl.

WARN- UND SICHERHEITSHINWEISE



Lesen Sie bitte alle Anweisungen sorgfältig, bevor Sie die Maschine benutzen und achten Sie ganz besonders auf die Sicherheitshinweise und Gefahrensymbole. **Ziehen Sie den Netzstecker**, bevor Sie Wartungsarbeiten durchführen oder das Gerät zum Reinigen zerlegen. Die Maschine niemals mit abgenommenen Schutzeinrichtungen benutzen.

WARNHINWEISE



Der Hersteller lehnt jegliche Haftung im Falle einer unsachgemäßen Benutzung der Maschine ab.

- Bitte niemals gefrorene Lebensmittel, Fleisch mit Knochen oder andere, nicht geeignete Dinge schneiden.
- Netzkabel: Bitte regelmäßig prüfen und im Falle einer Beschädigung durch ein Originalkabel austauschen.
- Nicht zum Reinigen ins Wasser tauchen.
- Das Netzkabel nicht am Kabel sondern nur am Stecker aus der Steckdose ziehen.
- Bitte keine Verlängerungskabel benutzen.
- Die Maschine nicht mit nassen Händen oder Barfuß benutzen.
- Hände von beweglichen Teilen fern halten, auch wenn die Sicherheitseinrichtungen angebracht sind.
- **Bevor Sie Wartungsarbeiten durchführen, sollten Sie den Stecker ziehen und darauf achten, dass das Einstellrad (6) auf der Position "0" steht.**

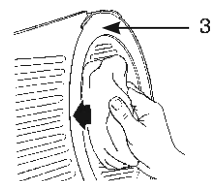
PRÜFEN

Antrieb.

Prüfen Sie die einwandfreie Funktion des Antriebs, nachdem Sie den Alleschneider installiert haben.

Gehen Sie bitte wie folgt vor:

- Einstellrad (6) auf Position "0".
- Alleschneider einschalten.
- Versuchen Sie, das Messer (3) abzubremsen, indem Sie heftig dagegen drücken; das Messer darf auch nicht bei einem starken Druck anhalten.



Schnittgut-Transportschlitten (7).

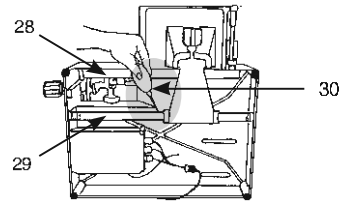
Prüfen Sie, dass der Befestigungsknopf (15) der Schnitteinheit richtig festgezogen ist.

Schiebefunktionen der Schneidgutauflage.

Stellen Sie sicher, dass sich der Schlitten vollständig und einwandfrei verschieben lässt. Sollten Teile der Verpackung auf der Schlittenstange (28 und 29) hängen bleiben, lässt sich der Schlitten nur schwer verschieben.

Reinigen Sie die viereckige Stange (28) (siehe Abb.) mithilfe eines Tuchs (vermeiden Sie dabei, das Fett von der Stange abzuwischen).

Nach dem Reinigen der runden Schiebestange (29) regelmäßig mit geeignetem Schmieröl (30) einfetten.



Öffnen des beweglichen Resthalters (2).

Das Einstellrad (6) hin- und herbewegen, um seine einwandfreie Funktion zu prüfen.

Schärfeinheit (10).

Prüfen Sie den einwandfrei Sitz der Schärfeinheit (10) in ihrem Einbauort.

3. LIEFERUNG, VERPACKUNG UND AUFBEWAHRUNG

TRANSPORT - HANDHABUNG – AUFBEWAHRUNG

Die Maschine ist mit eingesteckten Steckern in einem Karton verpackt. Die Verpackung eignet sich zur Beförderung mit allen Transportmitteln. Der Karton kann auf maximal 3 bis 4 Kartons gestapelt werden.

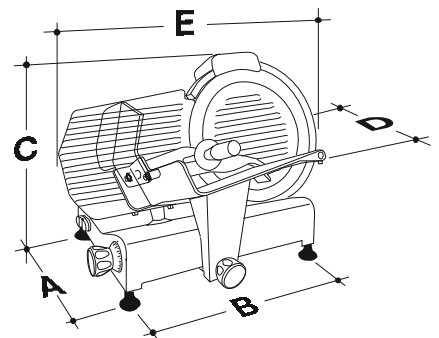


- Die Verpackung muss trocken gehalten werden.
- Von 2 Personen getragen werden.
- Wenn er auf Paletten steht, muss diese mit einem Palettenhubwagen oder einem Gabelstapler befördert werden.

4. TECHNISCHE DATEN - MASSE

ALLGEMEINE TECHNISCHE DATEN

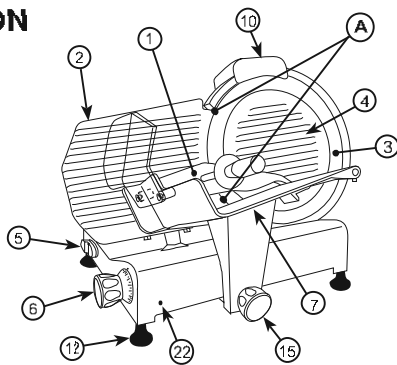
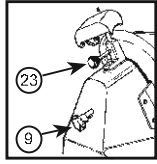
- Gehäuse aus Aluminiumguss
- Messerschutz, Schneidgutauflage und beweglicher Resthalter: Aus oxidiertem Aluminium
- Welle zur Aufnahme des Messers, auf einem doppelten Kugellager montiert
- Professionell belüfteter Motor
- Gehärtetes professionelles Messer
- Fest montierter Messerschutzring



MODELL	LUXOR		OLIMPIA		LUSSO — LADY					DOLLY					
	20	22	22	25	195	22	25	275	300 E	220	250	300	300sg	350	
MASSE mm	A	250	250	263	263	233	263	263	263	263	260	260	315	380	380
	B	360	360	415	415	381	415	415	415	415	400	400	455	535	535
	C	300	315	325	355	292	335	365	375	390	355	365	420	460	470
	D	320	320	400	400	300	363	363	410	410	400	410	480	515	515
	E	390	410	460	490	430	448	480	505	520	425	475	570	640	680
Sägeblattdurchmesser	mm	200	220	220	250	195	220	250	275	300	220	250	300	300	350
Motorleistung	Watt	110	120	140	140	120	140	140	150	190	140	140	230	230	300
Schnittkapazität, ca.	mm	170-130	160-150	230-160	230-180	200-130	230-165	230-185	230-190	245-215	210-155	210-175	245-220	290-210	290-255
Schlittenhub	mm	210	210	255	255	210	255	255	255	255	245	245	270	310	310
Gewicht	kg	10	12	12,5	13,5	11	13	14	16,5	17,5	15	15,5	24	29	36

5. INSTALLATION UND BEDIENUNG

INSTALLATION



Umgebungsbedingungen:

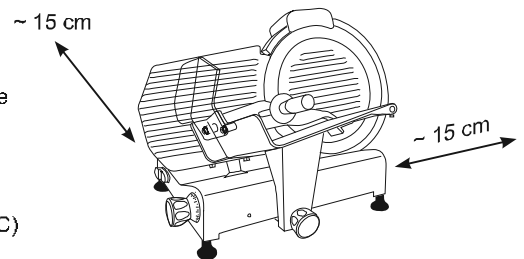
- Mindesttemperatur + 8°C
- Höchsttemperatur + 38°C
- Mindestfeuchtigkeit 30%
- Maximale Feuchtigkeit 80%
- Der Allerschneider muss auf einer stabilen Fläche aufgestellt werden, auf der er sich nicht verschieben kann.
- Das Netzkabel muss so ausgelegt werden, dass niemand drüberstolpern oder darauf ausrutschen kann.

Nivellieren.

Prüfen Sie, ob sich der bewegliche Resthalter (2) mit dem Einstellrad (6) auf Position "0" mit dem Messer in Bereich (A) auf gleicher Höhe befindet. Ist dies nicht der Fall, drehen Sie den entsprechenden Fuß (12) nach oben oder unten.

- 1 - Schnittguthaltearm
- 2 - Beweglicher Resthalter
- 3 - Messer
- 4 - Messerschutz
- 5 - Ein-/Aus-Schalten
- 6 - Einstellrad
- 7 - Transportschlitten oder bewegliche Andruckplatte mit Schneidgutauflage
- 9 - Messerschutzsperrknopf
- 10 - Schärfeinheit
- 12 - FüÙe
- 15 - Befestigungsknopf für Schneidgutauflage
- 22 - Verriegelung Schneidgutauflage / Öffnung beweglicher Resthalter (BLC)
- 23 - Sperrknopf der Schleifeinheit

Erforderlicher Aufstellplatz



ZERLEGEN DER SCHNEIDGUTAUFLEGE MIT BEWEGLICHEM RESTEHALTER (BLC)

- 1° - Einstellrad (6) auf Position "0".
- 2° - Schneidgutauflage (7) zum Bediener hin in Endanschlagposition.
- 3° - Den Sperrknopf (15) vollständig von der Schneidgutauflage (7) lösen.
- 4° - Die Schneidgutauflage zum Bediener hin drücken, bis der Stift unter dem Knopf (15) in das Loch (22) an der Allerschneiderbasis einrastet und die Auflage senkrecht nach oben herausnehmen.

MESSERSCHÄFFER - Sägeblattdurchmesser: 220 - 250

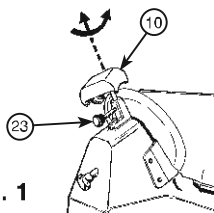


Abb. 1

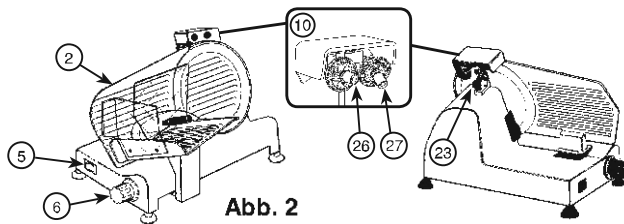


Abb. 2

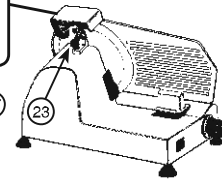


Abb. 3

Anmerkung: Bitte beachten Sie, dass das Messer über eine hohe Leistungsfähigkeit verfügt und daher erst dann geschärft werden muss, wenn die Schneidleistung sichtbar nachlässt.

- Netzstecker ziehen.
- Darauf achten, dass der bewegliche Resthalter (2) geschlossen ist (Einstellrad (6) in Position "0").
- Reinigen Sie den zu schärfenden Teil des Messers.
- Stecken Sie den Netzstecker wieder ein.
- Lösen Sie den Sperrknopf (23) von der Schleifeinheit (10).
- Heben Sie die Schleifeinheit (10) an, drehen Sie sie um 180°, sodass sich beide Räder in Betriebsstellung befinden. Siehe Abb. 1
- Die Schleifeinheit (10) ablassen, bis sie einrastet.
- Die Einheit durch Drehen des Sperrknopfs (23) sichern.
- Einschalten (5).
- Taste (26) drücken und das Messer ca. 1 Minute lang laufen lassen. Sobald das Messer still steht, prüfen, ob sich eine raue Kante gebildet hat.
- Nach der Überprüfung ob sich ein Grat gebildet hat, schalten Sie das Gerät ein und drücken Sie die Taste (27) vorsichtig ca. 3 Sekunden lang, um den während des Schärfens gebildeten Grat zu entfernen.
- Nach dem Schärfen die Schleifeinheit zurück in die Ausgangsposition bringen und die Messerkante reinigen.
- Nach mehreren Schärfvorgängen, sollten Sie Ablagerungen auf dem Schleifrad mit Alkohol und einer Bürste entfernen.

MESSERSCHÄFFER - Sägeblattdurchmesser: 300

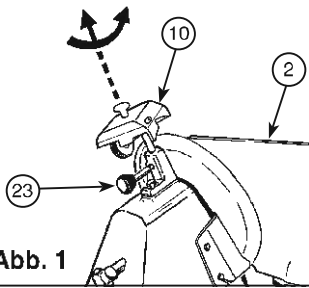


Abb. 1

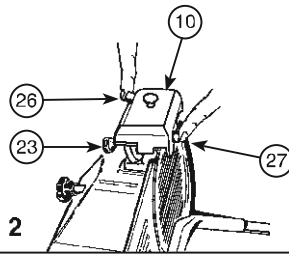


Abb. 2

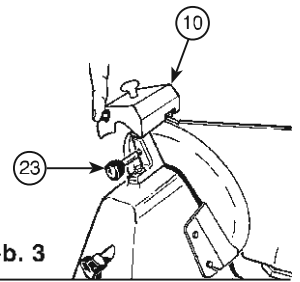


Abb. 3

Anmerkung: Bitte beachten Sie, dass das Messer über eine hohe Leistungsfähigkeit verfügt und daher erst dann geschärft werden muss, wenn die Schneidleistung sichtbar nachlässt.

- Netzstecker ziehen.
- Darauf achten, dass der bewegliche Resthalter (2) geschlossen ist (Einstellrad (6) in Position "0").
- Reinigen Sie den zu schärfenden Teil des Messers.
- Stecken Sie den Netzstecker wieder ein.
- Lösen Sie den Sperrknopf (23) von der Schleifeinheit (10).
- Heben Sie die Schleifeinheit (10) an, drehen Sie sie um 180°, sodass sich beide Räder in Betriebsstellung befinden. Siehe Abb. 1
- Die Schleifeinheit (10) ablassen, bis sie einrastet.
- Die Einheit durch Drehen des Sperrknopfs (23) sichern.
- Einschalten (5).
- Taste (26) drücken und das Messer ca. 1 Minute lang laufen lassen. Sobald das Messer still steht, prüfen, ob sich eine raue Kante gebildet hat.
- Nach der Überprüfung ob sich ein Grat gebildet hat, schalten Sie das Gerät ein und drücken Sie die Taste (27) vorsichtig ca. 3 Sekunden lang, um den während des Schärfens gebildeten Grat zu entfernen.
- Nach dem Schärfen die Schleifeinheit zurück in die Ausgangsposition bringen und die Messerkante reinigen.
- Nach mehreren Schärfvorgängen, sollten Sie Ablagerungen auf dem Schleifrad mit Alkohol und einer Bürste entfernen.

SCHLEIFEN DES MESSERS Für Modelle mit abnehmbarem Schleifstein

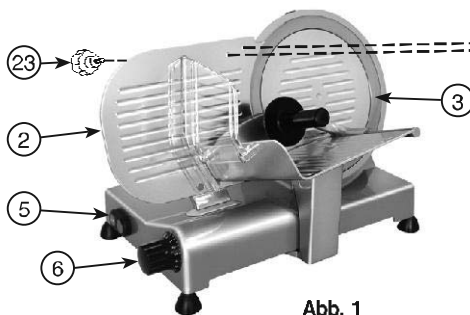
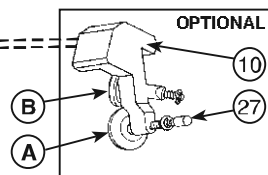


Abb. 1



A - Gegengraterentfernung
B - Schleifscheibe



N.B. Achtung, das Messer hat eine sehr grosse Widerstandsfähigkeit; aus diesem Grund ist diese Operation notwendig nur wenn die Schnitffähigkeit abnehmen sollte.

- Den Stecker heraus der Steckdose ziehen.
- Den Messer zu schleifen sorgfältig reinigen.
- Strom wieder einschalten.
- Die verstellbare Platte (2) auf den grösste mögliche Abstand vom Messer (3) durch das Drehen des Drehknopfes (6) bringen.
- Die Schleifgruppe (10) auf die verstellbare Platte legen (Sehen Fig. 1) und durch den Griff (23) darauf befestigen.
- Den Motorbetätigungsschalter für das automatische Schleifen einschalten (5). Falls nötig, den Drehknopf mit Gradeinteilung (6) drehen, bis sich den Schleifstein gemeinsam mit dem Messer dreht.
- Das Messer während ungefähr einer Minute schleifen, dann den Druckknopf (27) gegen die Bildung von Grat für ca. zwei -drei Sekunden drücken.
- Inzwischen den Motor abschalten. Nach dem Schleifen die Schleifsteingruppe (10) von der verstellbaren Platte (2) entfernen und diese in ihr ursprüngliches Gehäuse zurücklegen.
- Nach mehreren Schleifvorgängen die Steine von eventuellen Rückständen mit Alkohol und einem Bürstchen befreien.

6. REINIGUNG UND PFLEGE

Allgemeines.

Bevor Sie Reinigungsarbeiten durchführen, sollten Sie unbedingt den Netzstecker ziehen und darauf achten, dass sich das Einstellrad (6) in Position "0" befindet.

- Bitte kein Dampfstrahlergerät verwenden.
- Keine Bürste verwenden, sonst könnte die Oberfläche der Maschine beschädigt werden.
- Verwenden Sie ein weiches, mit normalem, neutralem Reinigungsmittel angefeuchtetes Tuch (siehe beispielsweise Muster im Zubehörkasten).
- Die Maschine nicht zum Reinigen bewegen. Bitte tragen Sie zum Reinigen von gefährlichen, scharfen Teilen spezielle im Handel erhältliche schnittfeste Handschuhe.

Reinigen der Maschine.

Wie Sie feststellen können, wurde der Alleschneider so entwickelt, dass sämtliche Teile so einfach, schnell und perfekt wie möglich zu reinigen sind, ohne dass sich irgendwo Speisereste festsetzen können.

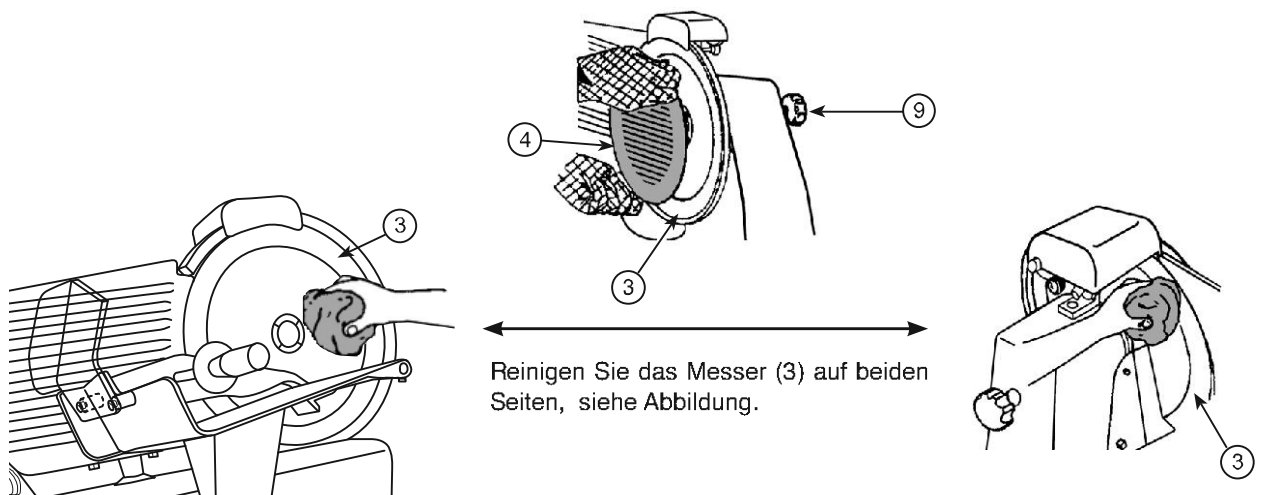
Die Maschine muss mindestens einmal täglich oder falls erforderlich auch häufiger gereinigt werden (nach jedem Schneidgutwechsel), um sicher zu stellen, dass alle Flächen, die in Kontakt mit den Lebensmitteln kommen, gründlich sauber sind.

REINIGEN DES MESSERS (3)

Es ist nicht erforderlich, dass Messer zum Reinigen zu zerlegen, da alle Teile gut erreichbar sind. Das Messer darf nur von Fachleuten ausgetauscht werden.

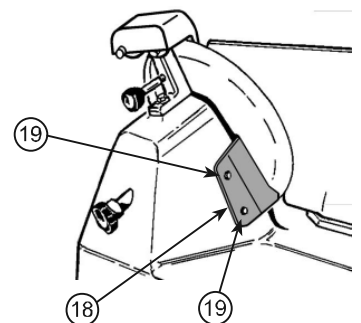
- Tragen Sie schnittfeste Handschuhe. Zerlegen der Messerabdeckung (4).
- Knopf (9) lösen, aufdrehen und die Messerschutzscheibe (4) entfernen.

WICHTIG! Ein Mikroschalter unterbricht die Stromversorgung, sobald der Knopf (9) entfernt wird.



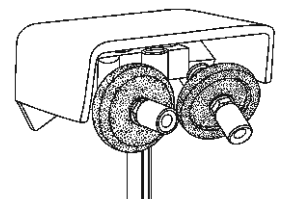
REINIGEN DES SCHEIBENABLENKERS (18)

Schrauben (19) lösen, um den Scheibenablenker (18) zu entfernen.



REINIGEN DER RÄDER

Nach vielen Schleifvorgängen sollten Sie mithilfe der beigegefügt Metallbürste Ablagerungen auf den Schleifscheiben entfernen.



7. FEHLERSUCHE UND FEHLERBEHEBUNG

NÜTZLICHE HINWEISE UND DURCHZUFÜHRENDE KONTROLLEN

Antrieb.

Der Antrieb erfolgt über einen verstellbaren Antriebsriemen, dessen Einstellung aber sicher nicht erforderlich ist, da er für jahrelangen Betrieb ausgelegt ist.

- Achten Sie darauf dass er nicht durch Fett oder Öl schmierig wird, sonst rutscht er durch und verliert das Haftvermögen.
- In diesem Fall muss er ausgetauscht werden und zwar so, dass weder Motorzapfen noch Riemenscheibe entfettet werden.

Netzkabel.

Prüfen Sie regelmäßig den Zustand des Netzkabels (es darf keine Stöße aufweisen). Wenn es beschädigt ist, muss es vom Hersteller, von dessen technischen Kundendienst oder von ähnlich qualifizierten Leuten ausgetauscht werden, um Gefahren zu vermeiden.

Messer (3).

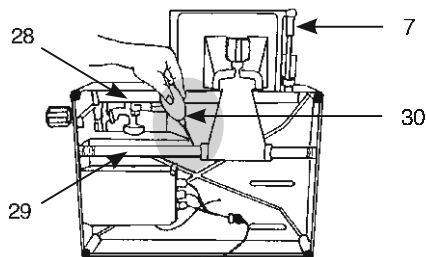
Das Messer muss ausgetauscht werden, wenn es keine Möglichkeit mehr gibt, es zu schärfen oder wenn der Abstand zwischen dem schneidenden Teil des Messers und dem Messerschutz über 6 mm beträgt.

Schleifscheiben der Schleifeinheit (10).

Diese Räder können nach vielen Schleifvorgängen ihre Reibkraft verlieren und müssen ausgetauscht werden.

Schlitten mit Schneidgutablage (7) (Schmierung).

Wenn sich die Transportschlitteneinheit nicht mehr richtig verschieben lässt, sollten die Stangen (28) und (29) (siehe Abbildung) geschmiert werden. Reinigen Sie die Stangensorgfältig und geben Sie ein paar Tropfen Öl mit einem Ölkännchen (30) darauf und lassen Sie den Schlitten vor- und zurückgleiten.



8. ABFALLENTSORGUNG

HINWEISE ZUM UMWELTSCHUTZ



Wenn das Gerät ausgedient hat, sollte es nicht zusammen mit dem normalen Hausmüll entsorgt werden. Das Gerät muss zu einer speziellen Sammelstelle zur Entsorgung von Altelektro- und elektrischen Geräten gebracht werden.

Das auf dem Gerät, in der Gebrauchsanweisung oder auf der Verpackung abgebildete Symbol weist darauf hin. Viele Materialien können recycelt werden: Bitte lesen Sie die Gebrauchsanweisung sorgfältig durch. Materialwiedergewinnung, Wiederverwertung und andere Formen des Materialrecyclings für Altgeräte bedeuten, dass Sie mit dieser Geste einen bedeutenden

Beitrag zum Umweltschutz leisten.

Bitte fragen Sie bei Ihrer lokalen Behörde nach solchen speziellen Entsorgungsstellen.

9. REPARATUREN / ERSATZTEILE

www.rgv.it