



exquisit ■

domestic and professional appliances

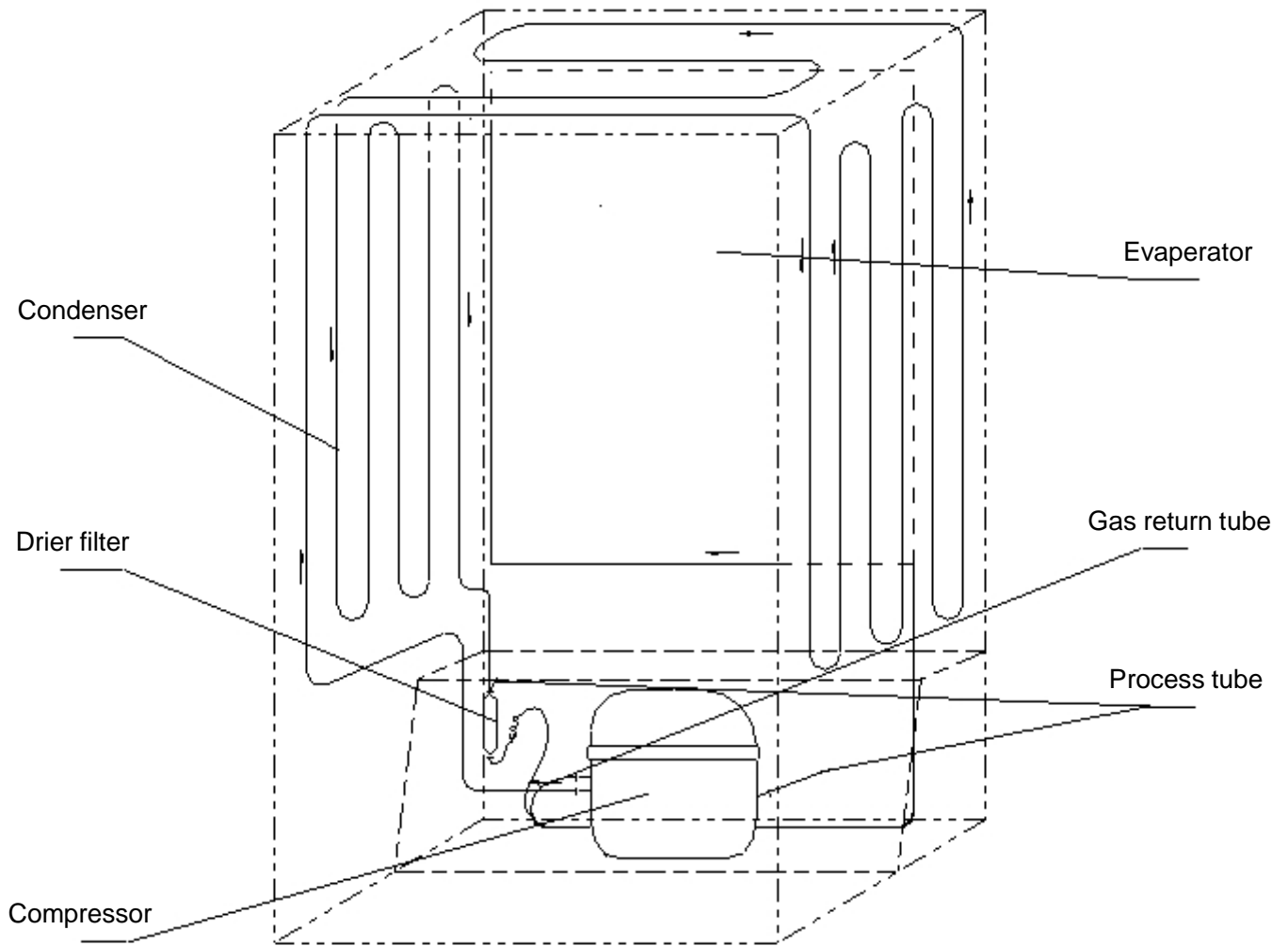
# Service Manual



**\*905.011**  
**KOELKAST 140 LITER**

1. Coolingsystem    2. Trouble shooting guide

# The cooling system



## Trouble shooting guide

No	Problem	Possible Cause	What To Do
1	The refrigerator does not get cold at all.	Not plugged in.	Plug in
		Is the circuit breaker tripped or blown fuse?	Put on the home circuit breaker or change the new fuse.
		Is the refrigerator temperature control setted at "off"?	Set the temperature control knob at "4".
2	The refrigerator does not get cold enough.	Is the refrigerator control dialed set to correct location?	Set it to a colder temperature.
		Is the refrigerator placed in direct sunlight or closely a heat source?	Move the refrigerator to proper location.
		Is the door closed completely?	Close the door completely.
		Is the door opened too frequently or too long?	Open the door less often,
		Does the door gasket seal properly?	Make the gasket sealing properly.
		Is the refrigerator overloaded?	Load less food into it.
3	The food in the refrigerator is frozen	Is the refrigerator control dialed set to correct location?	Set it to a warmer temperature.
		Is the ambient temperature too low?	
4	Two sides of the cabinet are hot: condensation occurs.	Hot-pipe is installed in two sides of refrigerator. That makes refrigerator's temperture lowquckly and save the power consumption	Normal state.
		Condensation can occur when you leave the door open for a long time.	Normal state.
5	Vibrations	The refrigerator is not level and firm.	Place the refrigerator in a level location.
6	The refrigerator is noisy.	Water bubbling comes from the refrigerant circulating of the refrigerator.	Normal state.
		Contraction and expansion of the insulation inside the walls may cause popping and cracking.	Normal state.
		Is the refrigerator unstable or touching the wall?	Keep the refrigerator leaving the wall.
		Is the refrigerator not level?	Adjust the refrigerator leveling.
7	The door can not close properly.	Were the doors not properly installed?	Assure the doors installed properly.
		Is the door gasket dirty and distortion?	Cleaning and flatting the door gasket.
8	The lamp does not work.	Has the home circuit breaker or fuse tripped?	Put on the home circuit breaker or change the new fuse.
		Is the refrigerator's door close completely?	Assure the door close completely.
9	Operating for all long time.	Is the ambient temperature too high?	
		Is the temperature controller in freezer chamber or in refrigerator chamber is set at "strong" position	Sets it at a right position.
		Too much food is loaded into the refrigerator and insufficient spaces for airflow.	Load less food into the refrigerator.
		The door were not closed completely or the gasket not sealing enough.	Close the doors completely or make the gasket sealing enough.
		Open the door too frequently.	Decrease the open-door times.