



exquisit ■

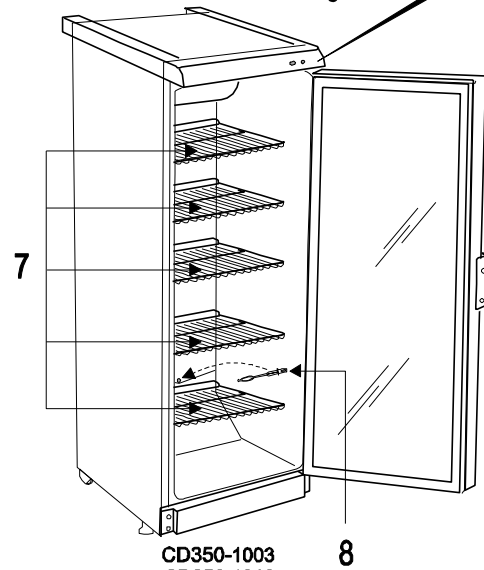
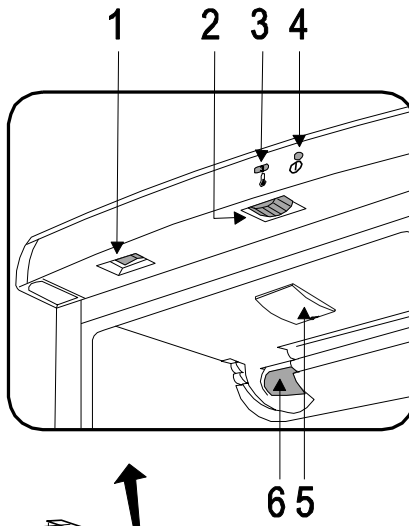
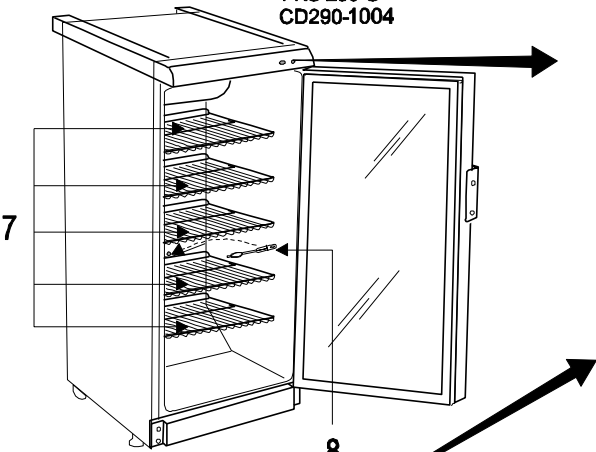
domestic and professional appliances



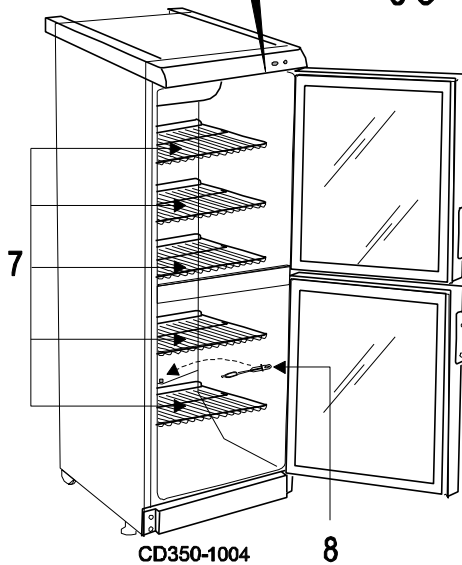
***905.302**

**KOELKAST - REFRIGERATOR
RÉFRIGÉRATEUR - KÜHLSCHRANK
350 LITER**

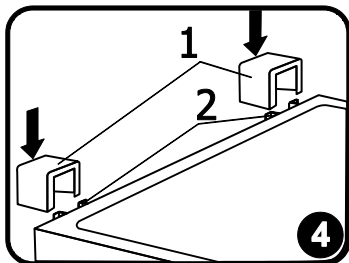
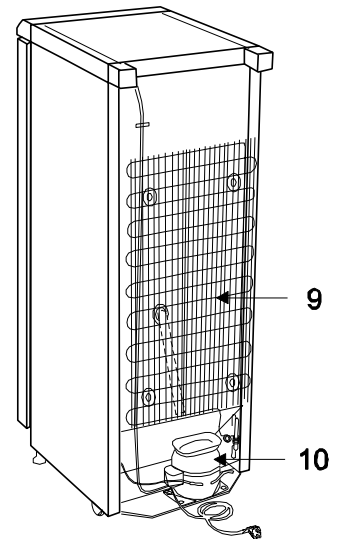
FLK-292
FKU 290 G
CD290-1004



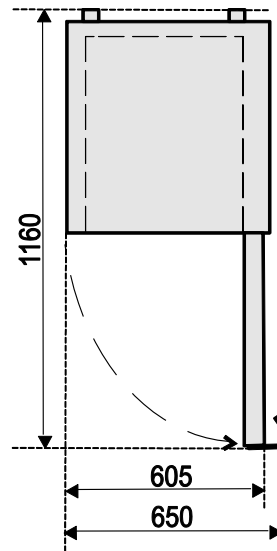
CD350-1003
CD350-1313
CD351
KSCD 350.1
CD350-311
CD350-1D
CD350





CD350-1004
CD350-2D
KS CD 350.2
CD350-2

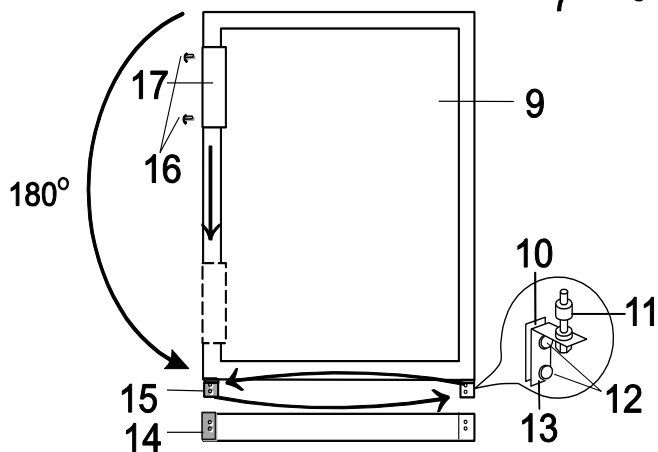
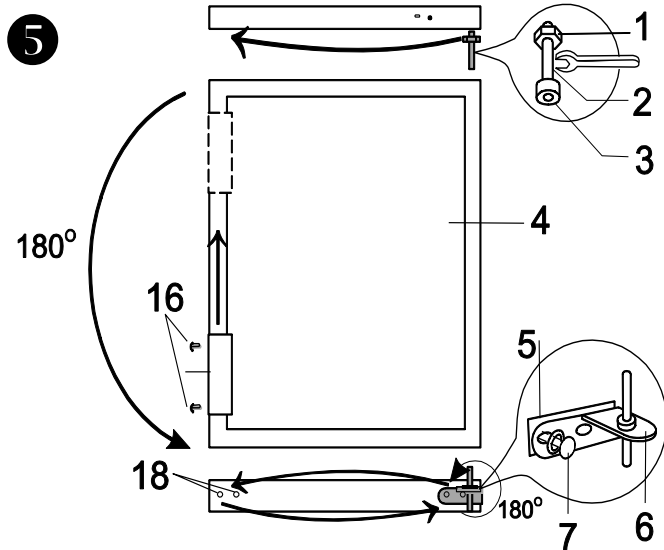
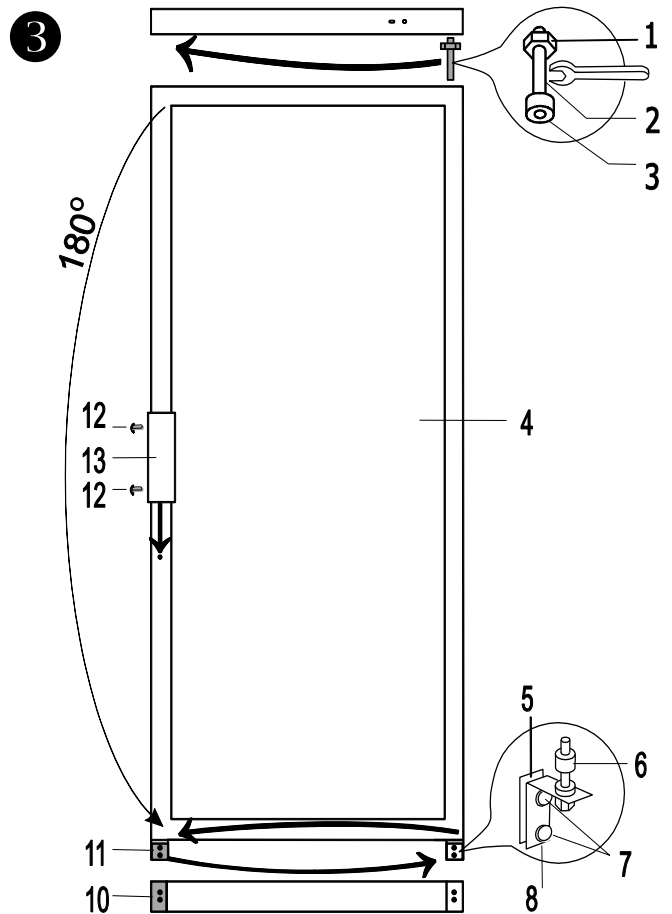


2



 **NOTE.** Direction of door is not changeable in refrigerators with lockable doors.

 **HINWEIS.** Für Kühlschränke mit abschließbaren Türen, Türöffnungsrichtung nicht geändert.



IMPORTANT USE AND SAFETY INSTRUCTIONS

CAREFULLY READ THE INSTRUCTION MANUAL. If instructions are not followed, there is a risk of injury, damage of the appliance and loss of the right to free warranty service.

The Manufacturer shall not be held liable for damage arising from the failure to observe the instructions contained in this manual.

We recommend to keep the Instruction manual the whole time you have the appliance. When you sell the appliance pass the Instruction manual to the new owner of the appliance.

GENERAL INFORMATION:

The appliance is a vertical display cooler with glass doors and with a fan and is designed for storage of foodstuffs and for chilling of drinks and for a short-term storage of them.

This appliance is intended for commercial use!

The models CD350-1313, CD350-311. The appliances is a refrigerators with glass doors and is designed for storage and chilling of wine. The appliances may be used in cafes, bars and etc.

SAFETY INSTRUCTIONS:


- Do not cover the ventilation holes at the top and on the sides of the appliance.
- Do not use electrical appliances inside the food storage compartments of the appliance, unless they are of the type recommended by the manufacturer.
- If the supply cord is damaged it must be replaced by the manufacturer, manufacturer service agent or a similarly qualified person, in order to avoid a hazard.
- Disposal of the appliance should be according to national rules.
- Do not damage the appliance refrigeration system. It contains the refrigerant gas R600a. If the refrigeration system is damaged:
 - Do not use any open flame.
 - Avoid sparks — do not turn on any electrical appliances or lighting fixtures.
 - Immediately ventilate the room: air the room in which the appliance is placed for a few minutes (the size of the room for a product containing isobutane / R600a must be at least 4 m³) to avoid damage to the cooling system.
- Once the appliance is unpacked, make sure that it is complete, that the body and the electrical cord aren't damaged. It is forbidden to use a technically damaged appliance.

CONNECTION TO THE MAINS

- The appliance should only be connected to an earthed socket installed in accordance with the regulations. Make sure that the supply voltage corresponds


with the voltage marked on the rating label. This product complies with all binding CE labelling directives. The earthed electrical socket by which the appliance is connected to the mains should be in an accessible place. It is a legal requirement that the appliance is properly earthed. The manufacturer will not be held liable for any damage or injury which may result from the failure to fulfil this requirement.


- To avoid the exposure to danger, always have faulty cable be replaced only by the manufacturer, by our customer service or by qualified person and with a cable of the same type.
- DO NOT USE extension cords or connectors (adapters), or hubs.
- The frequency and power of the electricity supply must conform to the general data parameters of the appliance as it is shown in the product label.
- When positioning the appliance, be careful that the electrical cord isn't squeezed in order to avoid its damage. Do not store heavy objects such as cooling devices, furniture or other devices next the appliance in such a way that they could squeeze and damage the electrical cord. This can cause a short circuit and a fire.
- Make sure that the plug of the electrical cord is not squeezed by the back wall of the appliance or otherwise damaged. A damaged plug can be the cause of a fire!
- **CAUTION!** If the installed interior lighting diode (LED) lamp for the cooling device is not functioning, contact the maintenance and repair representative for replacements. **LAMPS CAN BE REPLACED ONLY BY THE MAINTENANCE AND REPAIR REPRESENTATIVE.**

 If the appliance is out of order and it is not possible to repair it by means of given recommendations, unplug it, open the doors and call the service expert. Only a service representative can remedy all technical or construction faults.

- If the appliance is unplugged (for cleaning, moving to another place, etc.), IT MAY BE REPEATEDLY SWITCHED ON AFTER **15** MIN.
- The appliance should be used only for storing foodstuffs.
- This appliance is not designed for the storage of explosive substances such as aerosol cans with a flammable propellant.
- It is prohibited to store petrol and other flammable liquids near the appliance.
- The appliance can't be disposed of by burning.
- Do not place any switched on electrical devices (such as microwave ovens, hair dryers, irons, electric kettles or other electrical devices) on top of the appliance because this may cause ignition of plastic parts.
- Do not place any dishes with liquids on top of the appliance and do not keep flowers in vases or other liquid-filled vessels on the appliance.

- Do not climb on or sit on the appliance, do not lean on or hang on the appliance doors.


 **The appliance should be transported only in the vertical position.** The manufacturer will not be responsible for any damage of the appliance that results from non-compliance with the instructions for transportation.

 The manufacturer guarantees reliable operation of the refrigerator when the ambient temperature is +16 to +32 degrees celsius and the relative air humidity not greater than 60 per cent.

The models CD350-1313, CD350-311: the manufacturer guarantees reliable operation of the refrigerator when the ambient temperature is +16 to +32 degrees celsius and the relative air humidity not greater than 70 per cent

POSITIONING

- Place the appliance in a dry, well ventilated room.

 **WARNING!** The appliance should not be operated in an unheated room or porch. Place the appliance away from heat sources such as kitchen stove/oven, radiators, or direct sunlight. The appliance must not touch any pipes for heating, gas or water supply or any other electrical devices.


- Do not cover the ventilation holes at the top of the appliances – it must be a good air circulation around the appliance. There should be a gap of at least 10 cm between the top of the appliance body and any furniture that may be above it. If this requirement is not followed, the appliance consumes more electrical energy and its compressor may overheat.
- If the appliance is placed in a corner, a gap of at least 1 cm must be left between the appliance body and the wall (see fig. 2, page 2).
- The appliance must stand on a level surface and must not touch the wall. If necessary, regulate the height of the appliance by adjusting the levelling feet: by turning them clockwise – the front of the appliance rises, by turning them counter clockwise – it comes down. If the appliance is tilted slightly backward – the doors will close by themselves.

PREPARING THE APPLIANCE FOR OPERATION

It is recommended to prepare the appliance for operation with a helper.

- Remove package. Lift the appliance away from foamed polystyrene base. Therefore take out adhesive tapes from sides and simply lift the appliance up and take out the board. Strip adhesive tapes off and open the door. Remove the spacer above the door.
- When positioning the appliance in chosen location, it will move more easily into position if you lift the front a little and incline it backward allowing it to roll on its casters. **When placing, moving, lifting the appliance, do not hold the door handles, do not pull the condenser at the rear part of the refrigerator and do not touch the compressor unit.**
- Take two supports from the bag (see fig. 4, page 2) and insert them into the guides at the top back part of the appliance.

 **Wait at least 4 hours before connecting the appliance to the power supply.** If this is not done, **the appliance compressor may fail.**

 The appliance should not be connected to the mains until all packing and transport materials aren't removed. Suitably dispose the packaging material.

DESCRIPTION OF THE APPLIANCE, BASIC PARTS

See fig. 1, page 1

1 Switch -(ON/OFF)	6 Fan* (CD350-1313 - no)
2 Thermostat knob	7 Shelf
3 Thermostat indicator	8 Cleaner
4 Electricity supply indicator	9 Condenser
5 Interior light block (LED)	10 Compressor

1 — ON / OFF SWITCH FOR INTERIOR LIGHT. On / off switch for interior light **I** -(ON) **O** -(OFF)

2 — THERMOSTAT KNOB. The thermostat is off when there is a zero (**0**) in the thermostat indicator space. Turning the thermostat knob clockwise the temperature in the compartment lowers.

*WARNING! The fan switches on and continuously operates!

TEMPERATURE REGULATION

The temperature in the refrigerator compartment is controlled using the thermostat knob **2** (see fig. 1) by turning it to one side or the other. The temperature indication in digits is shown beside the thermostat knob. When the door is closed, the temperature setting can be seen on the thermostat indicator display **3** (fig. 1).

The temperature is regulated on the scale of five digits.

0 = Compressor is switched off. **WARNING! Electric current is not switched off.**

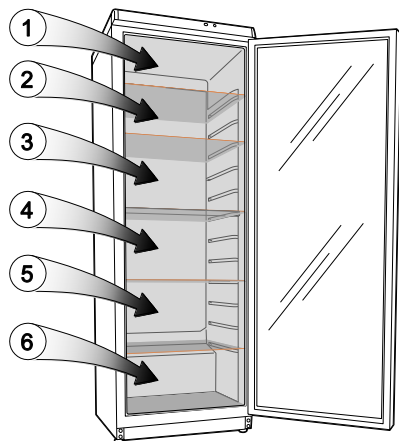
1 = highest temperature (lowest cooling)

5 = lowest temperature (highest cooling)



IF THE ROOM IS COOL, THE APPLIANCE COOLS LESS. THE TEMPERATURE IN THE APPLIANCE MAY THEREFORE RISE. Use the thermostat wheel to set a lower temperature.

The models CD350-1313, CD350-311: Temperature in the storage compartment depends on the ambient temperature, on the position of the thermostat knob. Thermostat knob position is set according to the table.



Wine temperature, °C

Zone designation	Position of the thermostat (ambient temperature +25 °C)				
	1	2	3	4	5
1 zone	12 – 14	12 – 14	12 - 14	10 – 12	8 – 10
2 zone	10 – 12	10 – 12	9 – 11	8 – 10	6 – 8
3 zone	8 – 10	8 – 10	8 – 10	6 – 8	4 – 6
4 zone	8 – 10	8 – 10	6 – 8	4 – 6	4 – 6
5 zone	8 – 10	8 – 10	4 – 6	2 – 4	2 – 4
6 zone	6 – 8	6 – 8	4 – 6	2 – 4	1 – 3

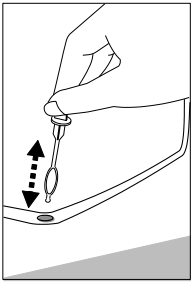
DEFROSTING, CLEANING AND CARE

THE REFRIGERATOR COMPARTMENT DEFROSTS AUTOMATICALLY. Drops of ice that form on the back wall of the refrigerator compartment thaw during the time the compressor is not working and the thaw water runs down the thaw water runoff channel to the tray on top of the compressor, where it evaporates.

REGULARLY CLEAN THE APPLIANCE.



Remember that before cleaning you must disconnect the appliance from the electrical energy supply socket by pulling the plug out of the electricity outlet.



- Protect the appliance inner surfaces and plastic parts from fats, acids and sauces. In case of accidental spills – immediately clean with warm soapy water or dishwashing detergent. Wipe dry.
 - Regularly clean the hermetic gaskets of the doors. Wipe dry.
 - REGULARLY CLEAN THE THAW WATER CHANNEL SPACE WITH A SPECIAL CLEANER **8** FOR THAT PURPOSE (Fig. 1).
 - At least once a year clean dust away from the back part of the appliance body and the compressor. A soft brush, electrostatic cloth or vacuum cleaner may be used for cleaning.
- DO NOT use detergents containing abrasive particles, acid, alcohol or benzene for cleaning the appliance inner and outer surfaces. DO NOT use for cleaning cloths or sponges that have coarse surfaces intended for scrubbing. Outer of the doors – glass – clean with agents intended for glass cleaning.
 - If the appliance is to be left switched off for an extended period, leave its doors open.

CHANGING THE OPENING DIRECTION OF THE DOORS

It is recommended that changing the opening direction of the doors should be done with a helper. You will need two spanners No. 8 and No. 10 and a Philips head screwdriver.

When changing the opening direction of the doors YOU CAN NOT lay the refrigerator horizontally!

Do the actions below in the order they are listed:

FOR THE MODELS WITH ONE DOOR (see fig. 3, page 2):

1. **Turn off the appliance and pull the plug out of the electricity supply socket**
2. Unscrew two screws 7 and remove the bottom bracket 8 together with the set of washers 6 on the axle and the spacer 5.
3. Unscrew two screws 7 and remove the bracket 11. Remove the door 4.
4. Unscrew the axle 2 together with the nut 1 and washers 3 from the upper bracket and screw all this set on the reverse side of the door;
5. Before hanging the door, turn the door over by 180° and insert the upper axle in the door.
6. Unscrew fixing screws 12 from doors, remove handles 13 and fix them screwing in free holes on the same side. Plate 10 remains in its place.
7. Before screwing the bottom bracket 8 together with the set of washers and spacers on the reverse side of a cabinet, insert the bracket axle to the door.
8. Screw the bracket 11 on the reverse side of a cabinet.

FOR THE MODELS WITH TWO DOORS (see fig. 3, page 2):

1. **Turn off the appliance and pull the plug out of the electricity supply socket.**
2. Unscrew two screws 12 and remove the bottom bracket 13 together with the set of washers 11 on the axle and the spacer 10.
3. Unscrew two screws 12 and remove the bracket 15. Remove the bottom door 9.
4. Unscrew fixing screws 7 of the middle bracket. Remove the middle bracket 6 together with washers on the axle and the spacer 5. Remove the top door 4.
5. Unscrew the axle 2 together with the nut 1 and washers 3 from the upper bracket and screw all this set on the reverse side of the door.
6. Take out the plugs 18 in the crossbar zone and displace them on the reverse side.
7. Before hanging the upper door, turn the door over by 180° and insert the upper axle in the door. Before screwing the middle bracket 6 with the set of washers and spacers on the reverse side of the cabinet, insert the bracket axle into the upper door;
8. Before hanging the bottom door on the middle bracket axle, turn them over by 180°.
9. Unscrew fixing screws 16 from both of door, remove handles 17 and fix them screwing in free holes on the same side. Plate 14 remains in its place.
10. Before screwing the bottom bracket 13 together with the set of washers and spacers on the reverse side of a cabinet, insert the bracket axle to the door.
11. Screw the bracket 15 on the reverse side of a cabinet.

Operation problems and their solutions (troubleshooting). What if ...

- **The appliance is plugged in to the mains but it does not work and the electricity supply voltage indicator is not illuminated.** Check that your house electricity supply installations are in order. Check that the plug is correctly inserted into the electricity supply socket.
- **The noise has become louder.** Check that the appliance is standing stable, on a level place. To make it level, regulate the front feet. Check if the appliance is not touching any furniture, and that no part of the refrigeration system at the back part of the appliance body is touching the wall. Pull the appliance away from any furniture or walls. Check that the cause of increased noise isn't due to bottles, cans or dishes in the appliance that might be touching each other.
- **Water has appeared at the bottom of the refrigerator compartment.** Check whether a thaw water channel space isn't blocked. Clean the thaw water channel space with a cleaner intended for that purpose.
- **Water has appeared under the appliance.** The thaw water collection tray has slipped off the compressor. Place the tray on top of the compressor.
- **When the appliance door is opened, the rubber sealing gasket pulls out.** The gasket is smeared with sticky foodstuffs (fat, syrup). Clean the sealing gasket and the groove for it with warm water containing soap or dishwashing detergent and wipe dry. Put the rubber sealing gasket back into the place.
- **High temperature in appliance, the compressor operation pauses are short.** Ascertain whether the appliance door/doors are shutting tightly, whether the door wasn't kept open longer than necessary when taking out or putting in foodstuffs or whether a large amount of warm food was placed in the appliance.
- **The top of the appliance has condensation on it.** The ambient relative air humidity is above 60 %. Ventilate the room where the appliance stands and if possible remove the cause of the humidity.



Remarks on the appliance operating noise. As the appliance operates and goes through the freezing cycle, various noises will be emitted. This is normal and is not a sign of any malfunction.

As the refrigerant circulates around the refrigeration system, it causes sounds like murmuring, bubbling, or rustling. Louder sounds like popping or clicking may be heard for a short time as the refrigerator compressor switches on.

ENVIRONMENTAL PROTECTION INFORMATION



If the appliance is no longer in use, cut the connecting cable off the used equipment before its scrapping. Also, remove the appliance lock or render it useless so that the appliance presents no danger to children while being stored for di- sposal. This appliance is marked with a symbol of the crossed out waste container in conformance with the European Directive 2002/96/EC. Such marking informs that the equipment may not be kept together with other waste coming from the household after the period of its use. The user is obliged to dispose of the appliance at the waste collection point. The local waste collection points, shops and communal units form an appropriate system enabling the disposal of the equipment.

Handling the used electrical and electronic equipment properly contributes to the avoidance of consequences harmful to the human health and natural environment, resulting from the presence of hazardous substances and improper storage and processing of such equipment.

WARRANTY SERVICE

IF YOUR APPLIANCE IS NOT WORKING PROPERLY, ASCERTAIN WHETHER YOU CAN REMEDY THE CAUSE OF THE FAULTY FUNCTIONING OF THE APPLIANCE YOURSELF. If you cannot solve the problem yourself, contact the nearest refrigerator service representative by telephone or in writing. When making contact necessarily indicate the refrigerator model and number. You will find this data on the product label, which is glued to the wall.

Product data sheet

Model	CD290-1004, CD290.1004, FKU 290 G, FLK- 292	CD350-1003 CD350.1003 KS CD 350.1 CD350	CD350-1004 KS CD 350.2 CD350-2D CD350-2	
Refrigerator total gross volume, L	290	350		
Refrigerator net volume, L	275	320		
Dimensions (H x W x D), cm	145 x 60 x 60	173 x 60 x 60		
Shelf area, dm ²	115	115		
Weight, kg	55	65		
Climate class	3 (+16 to +32)			
Product temperature class	S			
Products temperature ranges, °C (In accordance with EU standard ISO 23953-2:2015, p.4.2.2)	from -2 to +14			
Door opening area, m ²	0,66	0,80		
General product exposure area, m ²	0,51	0,62 / 0,58		
Loading of the refrigerator quantity of bottles, pcs.	0,33 l cans 0,5 l PET	287	322	
Maximum loading of one shelf, kg	40	50		
Energy consumption at ambient temperature +25 °C: kWh/year	At switched on lighting	At switched off lighting	At switched on lighting	At switched off lighting
	748	737	781	756
Electrical Data: see in the product label				
A-weighted sound pressure level below 70db(A)				

Models	CD350-1313, CD350-311	
Refrigerator total gross volume, L	350	
Refrigerator net volume, L	330	
Dimensions (H x W x D), cm	173 x 60 x 60	
Shelf area, dm ²	120	
climate class	N	
Average air temperature inside the refrigerator, °C	from +4 to +14	
Weight, kg	67	
Door opening area, m ²	0,80	
General product exposure area, m ²	0,62	
Loading of the refrigerator (quantity of bottles) 0,75 l	105 pcs.	
Maximum loading of one shelf, kg	50	
Energy efficiency classification	D	A
Energy consumption at ambient temperature +25 °C, kWh/year	321	161
Nominal input of luminaire, W	3	
Acoustical noise emissions, dB(A) re1 pW	43	
Electrical Data: see in the product label		

NOTE. The manufacturer reserves the right to make future changes to technical parameters and specifications.

Lees de veiligheidsinstructies aandachtig door. Indien de instructies niet zorgvuldig worden toegepast, kunnen er risico's ontstaan of kan er schade worden aangericht met als gevolg het vervallen van de volledige garantie.

Producent stelt zich niet verantwoordelijk voor de schade die uit het niet nagaan van de aanwijzingen van deze gebruiksaanwijzing voortvloeit.

Het is aanbevolen om de veiligheidsinstructies te bewaren gedurende de gehele levensduur van de koelkast. Indien de koelkast wordt verkocht, dient men tevens de veiligheidsinstructies aan de nieuwe eigenaar te geven.

Algemene informatie:

De koelkast is een commerciële vitrine koelkast, met een glasdeur en een ventilator, bedoeld voor het koelen, tonen en bewaren van levensmiddelen en drank. **Deze toestellen zijn bedoeld voor commercieel gebruik!**

DE WERKING VAN DE KOELKAST WORDT DOOR DE FABRIKANT GEGARANDEERD BIJ EEN OMGEVINGSTEMPERATUUR TUSSEN +16°C EN +32°C EN EEN VOCHTIGHEIDSGRAAD DIE NIET HOGER DAN 60% IS.


VEILIGHEIDSINSTRUCTIES

- Let erop dat de ventilatieopeningen aan de bovenkant en zijkanten niet afgedekt worden.
- Tijdens het reinigen van het vriesgedeelte geen gebruik maken van mechanische of elektrische hulpmiddelen om het ontdooingsproces te versnellen.
- Indien de voedingskabel beschadigd is, dient deze door de fabrikant, zijn onderhoudspersoneel of door een gespecialiseerd vakman te worden vervangen om schade te voorkomen.
- Wanneer de koelkast wordt afgedankt, dient dit volgens de landelijke wetgeving plaats te vinden.
- Zorg dat het koelsysteem van de koelkast niet wordt beschadigd. Indien het koelsysteem wordt beschadigd:
 - Geen vuur gebruiken.
 - Vermijd vonken — gebruik geen elektrische apparaten of verlichtingen.
 - Ingeval van storing van het koelsysteem is het aangeraden om de ruimte, waarin het apparaat geplaatst werd door enkele minuten te ventileren (deze ruimte dient ten minste 4 m³ hebben; voor het product met isobutaan/ R600a)
- De koelkast dient uitsluitend voor het koelen en levensmiddelen gebruikt te worden.
- Dit apparaat is niet geschikt voor de opslag van explosieve stoffen zoals aerosols met ontvlambaar drijfgas.

- Het is verboden om benzine of andere ontvlambare stoffen op te slaan in de onmiddellijke omgeving van het apparaat.

⚠ ELEKTRISCHE AANSLUITING

- Dit apparaat mag alleen worden aangesloten op een volgens de wet geïnstalleerd geaard stopcontact. De geaarde stekker waarmee het apparaat met het voedingsnet wordt verbonden, dient gemakkelijk bereikbaar te zijn. Zorg ervoor dat de op het typeplaatje aangegeven spanning overeenkomt met de netspanning. Dit product komt overeen met de richtlijnen aangegeven op het CE-label.
- Indien de koelkast voorzien is van de speciale voedingskabel, kan deze enkel vervangen worden door een gelijksoortige kabel die door de fabrikant wordt geleverd.
- Om gevaar te voorkomen vermijden mogen beschadigde voedingskabels enkel door de fabrikant, een onderhoudstechnicus of iemand met gelijkwaardige ervaring vervangen worden.
- **GEBRUIK GEEN** verlengkabels, adapters of hub.
- Bij het plaatsen van de koelkast moet gecontroleerd worden of de voedingskabel niet gekneld zit en zodoende beschadigd wordt. Bij het plaatsen van eventuele zware objecten zoals bijvoorbeeld koelelementen, meubels of andere apparaten naast de koelkast, dient men ervoor te zorgen dat de voedingskabel niet bekneld raakt. Dit kan namelijk kortsluiting en brand veroorzaken.
- Controleer of de stekker van de voedingskabel niet achter de koelkast gekneld zit of dat het op andere wijze beschadigd wordt. Een beschadigde stekker kan brand veroorzaken!
- **Waarschuwing!** Verwijder nooit de afdekking van het binnenverlichting LED lampje. Wanneer er een defect is, neem dan contact op met onze klantenservice voor assistentie.

 Als de koelkast niet werkt en als het niet mogelijk is om deze volgens de aanbevolen richtlijnen te repareren, dient men de stekker uit het stopcontact te halen, de deuren te openen en contact op te nemen met de erkende onderhoudsmonteur. Alleen de erkende onderhoudsmonteur is bevoegd om technische of productiefouten te herstellen.

- Als de stekker van de koelkast uit het stopcontact wordt gehaald, (bij schoonmaak, verplaatsing, enz.), kan het apparaat na **15 minuten** weer aangesloten worden.
- Het is verboden om technisch beschadigde apparaten te gebruiken.
- Voordat men de koelkast schoonmaakt, dient deze uitgezet te worden en dient de stekker uit het stopcontact gehaald te worden.
- De koelkast mag niet door verbranding vernietigd worden.


- Plaats geen andere werkende elektrische apparaten (zoals magnetrons, haardrogers, strijkijzers, elektrische ketels of andere apparaten) boven op de koelkast want deze kunnen de plastic onderdelen ervan doen verbranden.
- Plaats geen borden met vloeistoffen, vazen met bloemen of andere vloeistofhouders op de koelkast.
- Klim of zit niet op de koelkast, hang niet aan de deuren en vermijd dat kinderen dit doen.

 **De koelkast dient uitsluitend in verticale positie te worden vervoerd.** DE FABRIKANT IS NIET VERANTWOORDELIJK VOOR SCHADE DIE BEROKKEND WORDT BIJ HET NIET RESPECTEREN VAN DE VERVOERAANWIJZINGEN.

IINSTALLATIE EN WERKOMSTANDIGHEDEN VAN HET APPARAAT

Plaatsing

- Plaats de koelkast in een droog en goed geventileerde ruimte.

 **WAARSCHUWING!** De koelkast dient niet in een ruimte zonder verwarming of op een veranda geplaatst te worden. Plaats de koelkast ver van warmtebronnen zoals keukenovens, verwarmingsradiatoren en vermijd direct zonlicht. De koelkast dient niet in aanraking te komen met verwarmings- gas- of waterleidingen of andere elektrische apparaten.


- Let erop dat de ventilatieopeningen aan de bovenkant niet afgedekt worden– er moet een goede luchtventilatie rondom de koelkast verzekerd worden. Er dient een ruimte te zijn van minstens 10 cm tussen de bovenkant van de koelkast en eventuele andere meubels die boven het apparaat worden geplaatst. Indien deze aanbeveling niet wordt nageleefd, zal de koelkast meer stroom gebruiken en kan de compressor oververhit raken.
- Indien de koelkast in een hoek wordt geplaatst, dient er een ruimte van minstens 1 cm (afb. 2).
- De koelkast moet waterpas staan en moet de muur niet aanraken. Indien nodig, kan de hoogte van de koelkast door middel van de afstelpoot ingesteld worden: de voorkant van de koelkast stijgt als de afstelpoten met de klok mee gedraaid worden en daalt als deze tegen de klok in gedraaid worden. De deuren sluiten vanzelf als de koelkast ietwat naar achteren helt.

Vóór de ingebruikname:

De werkzaamheden kunnen het beste door 2 personen worden uitgevoerd.

- Pak de koelkast uit. Til de koelkast uit de schuimbasis. Verwijder het plakband. Verwijder alle roodgekleurde onderdelen van de rekken **Het apparaat is uitgerust met vastgeschroefde handgrepen. Gebruik de handgrepen niet om het toestel op te tillen of te verplaatsen. Dit kan leiden tot het afbreken van de handgrepen.**
- Bij het verplaatsen van de koelkast in de gewenste positie, is het gemakkelijker deze te verzetten indien u de voorkant een beetje optilt en naar achteren kantelt zodat de diepvriezer op de wieltjes kan bewegen.
- Monteer twee van de steunen uit het onderdelentasje op hun plaats aan de achterbovenkant van de koelkast (zie afb. 4, pagina 1).

 **Dient u 4 uur te wachten voordat u de diepvriezer kunt aansluiten.** Indien deze tijd niet wordt gerespecteerd, **zou de compressor buiten werking kunnen raken.**

 Alle verpakkings- en vervoermaterialen dienen verwijderd te worden voordat u de koelkast met het voedingsnet verbindt. Zorg ervoor dat al het verpakkingsmateriaal op de juiste wijze wordt gerecycled.

BESCHRIJVING VAN DE KOELKAST, BASISONDERDELEN

Zie afb., pagina 1

1	Aan- / uitschakelaar voor binnenlicht	6	Ventilator*
2	Thermostaatknop	7	Vak
3	Schaal van de thermostaat	8	Zuiveringsinstallatie
4	Elektriciteit (groen licht)	9	Condensor
5	Verlichting binnenkant (LED)	10	Compressor

- 1** — AAN- / UITSCHAKELAAR VOOR BINNENLICHT. De verlichting van de bewaarafdeling wordt er aangezet door de druk op de drukknop 1 van de schakelaar.
Symbool **|** - aangezet. Symbool **●** – i uitgezet.
- 2** — THERMOSTAATKNOP. De temperatuur in bewaar afdeling van de koelkast wordt door de knop van de thermostaatregelaar geregeld.

*WAARSCHUWING! Wordt de ventilator automatisch aangezet en werkt ononderbroken.

TEMPERATUUR INSTELLEN

De temperatuur in het koelgedeelte wordt bediend door de thermostaatknop **2** (afb. 1) in de gewenste stand te draaien. De temperatuur wordt naast de thermostaatknop aangegeven.

De temperatuur wordt op een schaal van **5** cijfers aangegeven.

0 = Compressor is uitgeschakeld. **WAARSCHUWING! Elektriciteit is niet uitgeschakeld.**

1 = hoogste temperatuur (laagste koeling)

5 = laagste temperatuur (hoogste koeling)



ALS DE OMGEVINGSTEMPERATUUR LAAG IS, ZAL DE KOELKAST MINDER KOELEN. DE TEMPERATUUR IN DE KOELKAST KAN DAAROM STIJGEN. Gebruik de thermostaatknop om een lagere temperatuur in te stellen.

SCHOONMAAK EN ONDERHOUD

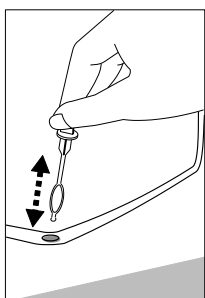
DE KOELKAST IS VOORZIEN VAN EEN AUTOMATISCH ONTDOOI-SYSTEEM. Ijsdruppels die zich op de achterwand van het koelgedeelte vormen, dooien wanneer de compressor niet in werking is en het dooiwater loopt weg via het afvoergootje naar het blad op de compressor waar het verdampt.

REINIG DE KOELKAST REGELMATIG.



Vergeet niet om de stekker uit het stopcontact te halen voordat u ontdooit en de achterkant van de koelkast schoonmaakt.

- Vermijd dat de interne oppervlaktes en de plastic onderdelen in aanraking komen met vetten, zuren en sauzen. Reinig bij morsen onmiddellijk met warm zeepwater of afwasmiddel. Daarna afdrogen.



- Reinig regelmatig het deurrubber. Daarna afdrogen.
- ◀ REINIG REGELMATIG DE AFVOER VAN HET ONTDOOISYSTEEM MET HET DAARTOE BESTEMDE SCHOONMAAKELEMENT.
- Verwijder stof aan de achterkant van de koelkast en de compressor minstens één keer per jaar. Gebruik hiervoor een zachte borstel, een elektrostatische doek of een stofzuiger.
- Gebruik voor de schoonmaak van de koelkast GEEN schoonmaakmiddelen die schurende of zure elementen of alcohol of benzeen bevatten. GEBRUIK GEEN doeken of sponsen met een ruwe oppervlakte.
- Laat de deuren open als u de koelkast voor een lange periode uit moet zetten.

PROBLEMEN EN OPLOSSINGEN. Wat te doen indien ...

- **De stekker aangesloten is maar de koelkast niet werkt en het aan/uit licht uitgeschakeld is.** Controleer of er stroom in huis is. Controleer of de stekker op de juiste wijze in het stopcontact is gestoken.
- **Het geluid neemt toe.** Controleer of de koelkast rechtop en waterpas staat. Verstel hiertoe de poten aan de voorkant. Controleer of de koelkast geen andere meubels aanraakt, en of geen enkel deel van het koelingssysteem op de achterkant van de koelkast tegen de wand steunt. Laat de koelkast niet dichtbij andere meubels of muren staan. Controleer of de geluidstoename niet veroorzaakt wordt door flessen, blikjes of borden die in de koelkast elkaar aanraken.
- **Er is water op de bodem van de koelafdeling.** Controleer of het afvoergootje van het ondooiingswater niet verstopt is. Reinig het afvoergootje met een daarvoor bestemd schoonmaakelement.
- **Er is water onder de koelkast.** De dampbak bevindt zich niet op de juiste manier op de compressor. Zet de bak bovenop de compressor.
- **Bij het openen van de koelkast, gaat het deurrubber los.** Het deurrubber is in aanraking gekomen met vette voedselresten (vet, stroop). Reinig het rubber en de behuizing met warm zeepwater of afwasmiddel en droog het af. Doe het deurrubber terug op zijn plaats.
- **De temperatuur in de koelkast is gestegen, de pauses van de compressor zijn kort.** Controleer of de deur van de koelkast goed afsluit, of de deur niet langer dan nodig geopend is gebleven om levensmiddelen te plaatsen of te verwijderen en of er niet veel warme levensmiddelen in de koelkast geplaatst zijn.
- **Er is condensatie op de bovenkant van de koelkast.** De vochtigheidsgraad van de omgeving is boven 60%. Ventileer de ruimte waar de koelkast zich bevindt en verwijder indien mogelijk de oorzaak van het vocht.



Opmerkingen over het geluid. Tijdens de werking van de koelkast en bij het invriezen van de levensmiddelen, kunnen er verschillende soorten geluiden ontstaan. Dit is normaal en dit betekent niet dat er een storing is.

OPENINGSRICHTING VAN DE DEUREN WIJZIGEN

Deze werkzaamheden kunnen het beste uitgevoerd worden door 2 personen. U heeft van twee schroefsleutels Nr. 8 en Nr. 10 nodig en een Philips kruiskopschroevendraaier.

Tijdens het wijzigen van de openingsrichting, mag de koelkast NIET in horizontale positie geplaatst worden. Volg onderstaande aanwijzingen in de volgorde waarin ze beschreven zijn.

VOOR DE MODELS MET EEN DEUR (zie abf. 3, pagina 2):

1. **WAARSCHUWING! Zet de koelkast uit en haal de stekker uit het stopcontact.**
2. De twee schroeven **7** uitdraaien en de bodembeugel **8** samen met de set sluitringen **6** op de as en de bus **5** verwijderen.
3. De twee schroeven **7** losschroeven en de beugel **11** verwijderen. De deur **4** verwijderen.
4. Van de bovenste beugel de as **2** samen met de moer **1** en de sluitringen **3** losschroeven en de volledige set vastschroeven aan de tegenovergestelde zijde van de deur.
5. Alvorens de deur te monteren, de deur 180° draaien en de bovenste as in de deur plaatsen.
6. De bevestigingschroeven **12** uit beide deuren losschroeven, de deurgrepen **13** verwijderen en ze vastschroeven door gebruik te maken van de vrije schroefgaten op dezelfde zijde.
7. De bodemplaat **10** blijft op zijn plaats.
8. Eerst de as van de bodembeugel **8** in de deur plaatsen, daarna de beugel met de set sluitringen en bussen aan de tegenovergestelde zijde monteren.
9. De beugel **11** aan de tegenovergestelde zijde van de kast vastschroeven.

VOOR DE MODELLEN MET TWEE DOOREN (abf .5, pagina 2):

WAARSCHUWING! Zet de koelkast uit en haal de stekker uit het stopcontact.

1. De twee schroeven **12** uitdraaien en de bodembeugel **13** samen met de set sluitringen **11** op de as en de bus **10** verwijderen. De twee schroeven **12** losschroeven en de beugel **15** verwijderen. De onderste deur **9** verwijderen. De bevestigingsschroeven **7** van de middelste beugel uitdraaien. De middelste beugel **6** samen met de sluitringen op de as en de bus **5** verwijderen.

2. De bovenste deur verwijderen. Van de bovenste beugel de as **2** samen met de moer **1** en de sluitringen **3** losschroeven en de volledige set vastschroeven aan de tegenovergestelde zijde van de deur. De pluggen **18** verwijderen en naar de tegenovergestelde zijde van de kast verplaatsen. Alvorens de bovenste deur te monteren, de deur 180° draaien en de bovenste as in de deur plaatsen.
3. Eerst de as van de middelste beugel in de bovenste deur plaatsen, daarna de beugel met de set sluitringen en bussen aan de tegenovergestelde zijde van de kast monteren.
4. De onderste deur 180° draaien en vervolgens op de as van de middelste beugel plaatsen.
5. De bevestigingsschroeven **16** uit beide deuren losschroeven, de deurgrepen **17** verwijderen en ze vastschroeven door gebruik te maken van de vrije schroefgaten op dezelfde zijde.
6. De bodemplaaf **14** blijft op zijn plaats.
7. Eerst de as van de bodembeugel **13** in de deur plaatsen, daarna de beugel met de set sluitringen en bussen aan de tegenovergestelde zijde monteren.
8. De beugel **15** aan de tegenovergestelde zijde van de kast vastschroeven.

RICHTLIJNEN m.b.t. MILIEU



Dit symbool geeft aan dat dit product niet als huishoudafval mag worden behandeld. Het moet separaat opgehaald en gerecycled worden door het bijvoorbeeld naar containers met bovenvermeld symbool in daartoe bestemde afvalwerverkingscentra te brengen.

Voor meer informatie over het recyclen van het product, kan men contact opnemen met de gemeentelijke dienst, de winkel waar u het product heeft gekocht of met de fabrikant.

Indien u beslist het product te recyclen, zorg er dan voor dat dit niet door anderen gebruikt kan worden en vermijd hierdoor eventuele ongelukken. Haal de stekker uit het stopcontact en verwijder de voedingskabel. Verwijder het deurrubber. Maak de deurvergrendeling ongedaan indien aanwezig.

Demonteer de koelkast niet zelf. Laat dit door een recyclingsbedrijf doen.

GARANTIE BEPALINGEN

INDIEN U KOELKAST NIET OP DE GEWENSTE MANIER FUNCTIONEERT, CONTROLEERT U DAN EERST OF U DIT ZELF KUNT VERHELLEN. Indien u het probleem niet zelf kunt oplossen, neemt u dan telefonisch of schriftelijk contact op met de dichtsbijzijnde servicedienst. Geef altijd het koelkastmodel en het serienummer aan. Deze gegevens staan op het plaatje, dat zich op de linkerwand van het koelgedeelte bevindt.

Product informatie blad voor koelapparaten voor huishoudelijk gebruik

Daten gemäß den Anforderungen der Norm EN ISO 23953-2:2005

Model	CD290-1004, CD290.1004, FKU 290 G, FLK- 292	CD350-1003 CD350.1003 KS CD 350.1 CD350	CD350-1004 KS CD 350.2 CD350-2D CD350-2	
Totaal volume van de koelkast, L	290	350		
Nuttig volume van de bewaringsafdeling, L	275	320		
Grote afmetingen , cm	145 x 60 x 60	173 x 60 x 60		
Vlakte van de rekken, dm ²	115	115		
Gewicht, kg	55	65		
Klimaatklasse	3 (+16°C en +32°C)			
Producten temperatuur klasse	S			
Producten temperatuurbereik, ° C (In overeenstemming met EU-norm ISO 23953-2: 2015, p .4.2.2)	von -2 bis +14			
Fläche zum Türaufmachen , m ²	0,66	0,80		
Allgemeine Produkt-Exposition Bereich, m ²	0,51	0,62	0,58	
Anzahl der Flaschen, Stc:	0,33 l 287	322		
	0,5 l PFT 126	154		
Max. Belastung pro Ablage kg	40	50		
Energieverbruik bij temperatuur van omgeving +25°C, kWh / year	Bei eingeschalteter Beleuchtung	Bei ausgeschalteter Beleuchtung	Bei eingeschalteter Beleuchtung	Bei ausgeschalteter Beleuchtung
	748	737	781	756
Elektrische specificaties	Zie waarderingsplaat			

LET OP. De fabrikant behoudt zich het recht voor om in de toekomst eventuele wijzigingen aan de technische gegevens en specificaties aan te brengen.

LESEN SIE BITTE DIE GEBRAUCHSANWEISUNG SORGFÄLTIG DURCH ! Bei Nichtbeachtung der in der Gebrauchsanweisung genannten Anweisungen besteht die Gefahr der Beschädigung des Geräts und des damit verbundenen Verlusts des Rechts auf Garantieleistungen. Wir empfehlen ihnen, die Gebrauchsanweisung bis zum Ende der Betriebszeit aufzubewahren und sie im Falle eines Verkaufs des Geräts an den neuen Eigentümer weiterzugeben.

Allgemeine daten:

Der Kühlschrank ist ein Kommerzkühlschrank –Vitrine mit einer Glastür und einem Ventilator, der für die Abkühlung, Exponierung und Aufbewahrung von Lebensmitteln und Getränken geeignet ist. **Diese Geräte sind für den gewerblichen Gebrauch bestimmt!**

DER HERSTELLER GARANTIERT EINE ZUVERLÄSSIGE FUNKTION DES KÜHLSCHRANKS BEI EINER UMGEBUNGSTEMPERATUR VON +16 BIS +32 GRAD CELSIUS UND EINER VERHÄLTNISSMÄSSIGEN LUFTFEUCHTIGKEIT VON BIS ZU 60 PROZENT.

Für die Kühlschränke CD350-1313, CD350-113. Der Kühlschrank ist ein Kühlschrank–Vitrine mit einer Glastür. Geeignet für die Weinabkühlung und Weinaufbewahrung im Bar, Cafe u.s.w.

DER HERSTELLER GARANTIERT EINE ZUVERLÄSSIGE FUNKTION DES KÜHLSCHRANKS BEI EINER UMGEBUNGSTEMPERATUR VON +16 BIS +32 GRAD CELSIUS UND EINER VERHÄLTNISSMÄSSIGEN LUFTFEUCHTIGKEIT VON BIS ZU 70 PROZENT.

SICHERHEITSHINWEISE

- Halten Sie die Lüftungsöffnungen im Gerätegehäuse oder in möglichen Seitenwänden von umgebenden Einbauwänden frei von Hindernissen.
- Benutzen Sie keine mechanischen Gegenstände oder andere Mittel, um den Abtauprozess zu beschleunigen, ausser den vom Hersteller empfohlenen.
- Das Kühlsystem des Geräts nicht beschädigen. Verwendetes Kühlmittel R600a. Falls das Kühlsystem beschädigt ist:
 - Kein offenes Feuer verwenden.
 - Funkenschlag vermeiden, keine elektrischen sowie Beleuchtungsgeräte einschalten.
 - Den Raum sofort durchlüften.
- Das Kühlgerät nur Aufbewahrung von Esswaren verwenden.
- In diesem Gerät keine explosionsfähigen Stoffe, wie zum Beispiel Aerosolbehälter mit brennbarem Treibgas, lagern.

⚠ NETZANSCHLUSS

- Das Kühlgerät nur an eine vorschriftsmäßig installierte Schutzkontaktsteckdose anschließen. Die Netzspannung muss der auf dem Typenschild des Gerätes

- angegebenen Spannung entsprechen. Das Kühlgerät entspricht den Richtlinien, die für die CE-Kennzeichnung verbindlich sind.
- Das Kühlgerät nicht an Wechselgleichrichter oder zusammen mit anderen Geräten über ein Verlängerungskabel anschließen.
 - Die Anschlussleitung sollte nicht die Rückseite, wie z.B. den Wärmetauscher berühren, um eventuelle Vibrationsgeräusche zu vermeiden.
 - Vor dem aufstellen ein defektes kabel unbedingt durch ein neues vom selben typ wie das vom hersteller des kühlgeräts verwendete ersetzen, um schaden an gesundheit und eigentum zu vermeiden.
 - Um jegliches risiko auszuschliessen, darf ein schadhaftes netzkabel nur vom hersteller, dessen wartungsmeister oder einer entsprechend ausgebildeten person ausgewechselt werden.
 - Beachten Sie bitte beim Aufstellen des Kühlgeräts, dass dieser das Netzkabel nicht beschädigt. Nichts Schweres wie Kühlgeräte oder andere geräte auf das Stromkabel stellen, um dieses nicht zu beschädigen. Andernfalls könnte dies zu einem Kurzschluss und zu einem Brand führen.
 - Achten Sie darauf, dass die Rückwand des Kühlgeräts den Netzstecker nicht berührt oder letzterer in irgendeiner Weise beschädigt ist. Ein defekter Netzstecker kann zu einem Brand führen!
 - Nach dem ausschalten des geräts (zur reinigung, zum aufstellen an einem anderen platz usw.) Dieses erst nach mindestens **15 MINUTEN** wieder ans netz anschließen.
 - Die Benutzung eines technisch nicht einwandfreien Geräts ist zu unterlassen.
 - Vor der Reinigung Das Kühlgerät ausschalten und den Netzstecker aus der Steckdose ziehen.
 - Schützen Sie die Innenwände und alle Kunststoffteile des Kühlgeräts vor Kontakt mit Fett, Säuren und Soßen.
 - Bitte keine elektrischen Geräte wie Mikrowellengeräte, Haartrockner, Bügeleisen, Wasserkocher und ähnliche auf den Kühlschrank stellen: Kunststoffteile könnten sich entzünden.
 - Das Kühlgerät kann von Kindern ab 8 Jahren sowie von Personen mit reduzierter physischen, sensorischen oder mentalen Fähigkeiten oder Mangel an Erfahrung und/oder Wissen benutzt werden, wenn sie beaufsichtigt oder bezüglich des sicheren Gebrauchs des Gerätes unterwiesen wurden und die daraus resultierenden Gefahren verstanden haben.



NUR DER SERVICE-FACHMANN IST IMSTANDE, TECHNISCHE MÄNGEL ZU BEHEBEN.



Das Kühlgerät nur in vertikaler Lage transportieren. BEI NICHTBEACHTUNG DER TRANSPORTVORSCHRIFTEN KANN DER HERSTELLER NICHT FÜR ENTSTEHENDE SCHÄDEN HAFTBAR GEMACHT WERDEN.

INBETRIEBNAHME UND BETRIEBSBEDINGUNGEN DES GERÄTES

Aufstellung:

- Stellen Sie den Kühlschrank in einem trockenen, gut gelüfteten Raum auf.



ACHTUNG! Der Kühlschrank darf nicht in ungeheizten Räumen oder auf dem Balkon betrieben werden. Das Gerät nicht in unmittelbarer Nähe einer Heizquelle (Kochherd, Heizkörper, direkte Sonneneinstrahlung) aufstellen. Der Kühlgerät darf nicht in Kontakt mit Heizungs- Gas- und Abwasserrohre geraten sowie elektrische Geräte nicht berühren.

- Die Lüftungsöffnung an der Oberseite des Kühlschranks darf nicht abgedeckt werden, eine ungehinderte Luftzirkulation muss gewährleistet sein. Der Zwischenraum zwischen der Oberseite des Kühlschranks und einem darüber befindlichen Möbel sollte mindestens 10 cm betragen. Andernfalls steigt der Stromverbrauch des Kühlschranks an oder der Kompressor kann sich überhitzen.
- Falls der Kühlschrank in einer Ecke aufgestellt werden soll, belassen Sie einen seitlichen Abstand von mindestens 1 cm (siehe abb. 2, Seite 1).
- Der Kühlschrank ist unbedingt auf einer ebenen Oberfläche aufzustellen, er darf nicht an die Wand angelehnt werden. Regulieren Sie, falls nötig, die Höhe durch Drehen der Stützfüße: durch Drehen im Uhrzeigersinn hebt sich der Vorderteil des Geräts, durch Drehen im Gegenuhrzeigersinn senkt er sich. Wenn der Kühlschrank ganz leicht nach hinten geneigt steht, gehen die Türen von selbst zu.

Vorbereitung des Geräts:

Wir empfehlen, für die Vorbereitungsarbeiten eine weitere Person heranzuziehen.

- Die Verpackung entfernen. Den Kühlschrank von der Schaumstoffunterlage nehmen. Klebebänder entfernen.
- Neigen Sie beim Aufstellen den Vorderteil des Kühlschranks ein wenig nach hinten, dann können Sie ihn auf den Rädchen leicht an den gewünschten Platz rollen. **Zum Aufstellen und Verschieben des Gerätes dürfen nie die Türgriffe, die Kondensatorröhrchen oder die Kompressoreinheit benutzt werden.**
- Zwei Abstandshalter (1) aus dem Beutel herausnehmen und in die Halterungen (2) auf der Rückseite des Gerätes einsetzen (siehe abb. 4, Seite 1).
- Das Gerät nicht ans Netz anschließen ohne vorher alle Verpackungs- und Transportelemente entfernt zu haben. Entsorgen Sie die Verpackungen fachgerecht.



Das Gerät darf es erst nach mindestens vier Stunden ans Netz angeschlossen werden. Bei Nichtbeachtung **dieser Vorschrift droht der Ausfall des Kompressors.**

BESCHREIBUNG DES GERÄTS, HAUPTBESTANDTEILE

Siehe Abb. 1, Seite 1

1 Schalter	6 Ventilator
2 Temperaturregler	7 Regal
3 Anzeige der Temperaturregelung	8 Reinigungsinstrument für die Tauwasserauffangrinne
4 Stromanzeige (grün)	9 Kondensator
5 Leuchte (LED)	10 Kompressor

1 – SCHALTER. Die Beleuchtung des Kühlbereiches wird mit dem Drücken des Schalters **1** eingeschaltet. | - ein. **0** – aus.

2 – TEMPERATURREGLER. Bei Drehung des Thermoreglergriffes im Uhrzeigersinn sinkt die Temperatur im Kühlbereich.

ACHTUNG! Der Ventilator mit ein und arbeitet ununterbrochen.

TEMPERATURREGULIERUNG


Die Temperatur im Kühlfach wird durch Drehen des Temperatur-Drehreglers **2** (siehe Bild 1) eingestellt. Die eingestellte Temperatur auf einer fünfstufigen Skala ist am Drehregler ablesbar. Bei geschlossener Kühlschrankschranktür ist sie an der Anzeige des Temperaturreglers ablesbar **3** (abb. 1).

Die Temperatur kann auf einer fünfteiligen Skala reguliert werden.

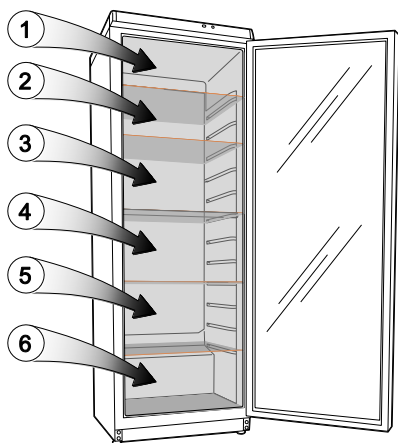
0 = der Kompressor wird abgeschaltet. **Das Gerät ist noch am Stromnetz angeschlossen.**

1 = höchste Temperatur (geringste Kühlung)

5 = niedrigste Temperatur (stärkste Kühlung)

 **BEI NIEDRIGER RAUMTEMPERATUR KÜHLT DER KÜHLSCHRANK WENIGER STARK, DESHALB KANN DIE TEMPERATUR IM KÜHLSCHRANK ANSTEIFEN.** Stellen Sie in diesem Fall die Temperatur mithilfe des Temperaturreglers niedriger.

Für die Kühlschränke CD350-1313, CD350-113. DIE TEMPERATUR DES WEINES °C
Die Temperatur im Kühlraum hängt von der Umgebungstemperatur, von der Stellung des Thermoreglergriffes und von der Menge des aufbewahrten Weines ab.



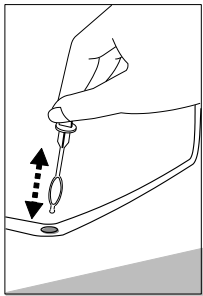
Die Bezeichnung der Zone	Die Lage der Thermoreglers (Bei Umgebungstemperatur +25 °C)				
	1	2	3	4	5
1 zone	12 – 14	12 – 14	12 - 14	10 – 12	8 – 10
2 zone	10 – 12	10 – 12	9 – 11	8 – 10	6 – 8
3 zone	8 – 10	8 – 10	8 – 10	6 – 8	4 – 6
4 zone	8 – 10	8 – 10	6 – 8	4 – 6	4 – 6
5 zone	8 – 10	8 – 10	4 – 6	2 – 4	2 – 4
6 zone	6 – 8	6 – 8	4 – 6	2 – 4	1 – 3

ABTAUEN DER KÜHLKAMMER. REINIGUNG UND PFLEGE

DIE KÜHLKAMMER TAUT AUTOMATISCH AB. Die sich hinten in der Kühlkammer bildenden Eistropfen schmelzen während der Betriebspausen des Kompressors, das Schmelzwasser fließt durch die Tauwasserauffangrinne ins Tauwasserverdunstungsgefäß auf dem Kompressor und verdunstet dort.

REINIGEN SIE DEN KÜHLSCHRANK REGELMÄSSIG.

! Vergessen Sie nicht vor dem Abtauen oder dem Reinigen des hinteren Teils des Gehäuses das Gerät vom Netz zu nehmen.



- Bewahren Sie die Innenoberflächen des Geräts und alle Kunststoffteile vor Fett, Säure, Soßen. Falls Sie unabsichtlich davon ausgießen, reinigen Sie die betroffenen Flächen sofort mit warmem Seifenwasser oder Spülmittel. Reiben Sie sie anschließend trocken.
- Reinigen Sie die Türdichtung regelmäßig. Reiben Sie sie trocken.
- ◀REINIGEN SIE REGELMÄßIG DIE ABFLUSSÖFFNUNG DER TAUWASSERAUFFANGRINNE MIT DEM DAFÜR VORGESEHENEN REINIGUNGSINSTRUMENT **8** (Abb. 1.)
- Wischen Sie mindestens einmal im Jahr den Staub ab, der sich an der Kühlschrankrückwand und auf dem Kompressor angesammelt hat. Zur Reinigung eine weiche Bürste, elektrostatische Tücher oder den Staubsauger benutzen.
- Für die Innen- und Außenreinigung KEINE, körnigen, säure-, alkohol-, oder benzinhaltigen Putzmittel verwenden. Bei der Reinigung KEINE Scheuerlappen oder Schwämme mit rauer Oberfläche verwenden. Außenseite der Tür - Glas - mit Mitteln zur Glasreinigung säubern.
- WENN SIE DAS KÜHLGERÄT FÜR LÄNGERE ZEIT AUSSCHALTEN, LASSEN SIE DIE TÜR OFFEN.

WECHSEL DES TÜRANSCHLAGS

Zum Wechsel der Öffnungsrichtung der Kühlschranktür empfehlen wir eine weitere Person heranzuziehen. Sie brauchen: Schraubenschlüssel Nummer 8 und 10, Kreuzschraubenzieher.

Der Kühlschrank darf zum Wechseln der Kühlschranktür NICHT horizontal abgelegt werden.

Für die Kühlschränke FLK- 292, CD350-1313, FKU 290 G, CD351, KSCD 350.1 CD350-311, CD350-1D (Abb. 3, Seite 2):

ACHTUNG! Schalten Sie das Gerät ab, ziehen Sie dazu das Netzkabel aus der Steckdose.

1. Die zwei Schrauben **7** abschrauben und den unteren Scharnierhalter **8** zusammen mit dem Scheibensatz **6** auf dem Lagerzapfen und Dichtungssatz **5** abnehmen.
2. Die zwei Schrauben **7** abschrauben und den Scharnierhalter **11** abnehmen. Die Tür **4** abheben.
3. Aus dem oberen Scharnierhalter den Lagerzapfen **2** zusammen mit der Mutter **1** und den Scheiben **3** ausschrauben und den ganzen Satz auf der Gegenseite der Tür fest montieren.
4. Zuerst die Tür um 180 ° drehen, dann den oberen Lagerzapfen in die Tür einschieben und die Tür aufhängen. Die Befestigungsschrauben **12** aus der Tür abschrauben, die Türgriffe **13** entfernen. Die Griffe auf der Gegenseite montieren. Schraubenlöcher mit den Spreizstiften verschliessen.

5. Die Platte **10** bleibt in ihrer Position.
6. Zuerst den Lagerzapfen in die Tür einschieben, dann den unteren Scharnierhalter **8** zusammen mit dem Scheiben- und Dichtungssatz auf der Gegenseite des Schrankes fest montieren.
7. Den Scharnierhalter **11** auf der Gegenseite des Schrankes befestigen.

Für die Kühlschränke CD350-1004, CD350-2D, KS CD 350.2, CD350-2

(Abb. 5, Seite 2):

ACHTUNG! Schalten Sie das Gerät ab, ziehen Sie dazu das Netzkabel aus der Steckdose.

1. Die zwei Schrauben **12** abschrauben und den unteren Scharnierhalter **13** zusammen mit dem Scheibensatz **11** auf dem Lagerzapfen und Dichtungssatz **10** abnehmen.
2. Die zwei Schrauben **12** abschrauben und den Scharnierhalter **15** abnehmen;
3. Die untere Tür **9** abheben. Die Befestigungsschrauben **7** des mittleren Scharnierhalters lösen.
4. Den mittleren Scharnierhalter **6** zusammen mit dem Scheibensatz auf dem Lagerzapfen und Dichtungssatz **5** abnehmen. Die obere Tür abheben.
5. Aus dem oberen Scharnierhalter den Lagerzapfen **2** zusammen mit der Mutter **1** und den Scheiben **3** abschrauben und den ganzen Satz auf der Gegenseite der Tür fest montieren.
6. Die Abdeckkappen **18** im Querbereich des Schrankes herausnehmen und auf die andere Seite der Tür umsetzen. Zuerst die obere Tür um 180 ° drehen, dann den oberen Lagerzapfen in die Tür einschieben und die Tür aufhängen;
7. Zuerst den Lagerzapfen des Scharnierhalters in die obere Tür einschieben, dann den mittleren Scharnierhalter zusammen mit dem Scheiben- und Dichtungssatz auf der Gegenseite des Schrankes fest montieren. Zuerst die untere Tür um 180 ° drehen, dann sie auf den Lagerzapfen des mittleren Scharnierhalters aufhängen.
8. Die Befestigungsschrauben **16** aus beiden Türen lösen, die Türgriffe **17** entfernen. Die Griffe auf der Gegenseite montieren. Schraubenlöcher mit den Spreizstiften verschließen.
9. Die Platte **14** bleibt in ihrer Position.
10. Zuerst den Lagerzapfen in die Tür einschieben, dann den unteren Scharnierhalter **13** zusammen mit dem Scheiben- und Dichtungssatz auf der Gegenseite des Schrankes fest montieren.
11. Den Scharnierhalter **15** auf der Gegenseite des Schrankes anschrauben.

STÖRUNGEN UND DEREN BEHEBUNG. Was, wenn...

- **Der ans Stromnetz angeschlossene Kühlschrank nicht funktioniert, die Stromanzeige nicht aufleuchtet.** Überprüfen Sie, ob die Elektroinstallation bei Ihnen zu Hause in Ordnung ist. Überprüfen Sie, ob der Stecker richtig in die Steckdose gesteckt wurde.
- **Der Lärmpegel des Geräts ansteigt.** Überprüfen Sie, ob das Gerät stabil und waagrecht steht. Zur Regulierung bedienen Sie sich der vorderen Stützfüße des Geräts.
- **Überprüfen Sie, ob zwischen dem Kühlschrank und anderen Möbeln oder den Teilen an der Hinterseite des Geräts und der Wand ein Zwischenraum ist.** Ziehen Sie den Kühlschrank weg von den Möbeln oder der Wand. Überprüfen Sie, ob die lautereren Geräusche nicht von Flaschen, Dosen, Geschirr im Kühlschrank stammen, die sich gegenseitig berühren.

- **Wasser unter dem Kühlgerät.** Das Tauwasserverdunstungsgefäß ist vom Kompressor gerutscht. Stellen Sie das Becken auf den Kompressor zurück.
 - **Beim Öffnen der Kühlschrankschranktüren quillt das Gummidichtungsband hervor.** Die Dichtung ist mit klebrigen Nahrungsmitteln (Fett, Sirup) verschmutzt. Reinigen Sie die Dichtung und die Vertiefung für die Dichtung mit warmem Seifenwasser oder Spülmittel, reiben sie beides trocken. Setzen Sie die Gummidichtung wieder in die Vertiefung ein.
 - **Hohe Temperatur im Kühlschrank, Betriebspausen des Kompressors kurz.** Achten Sie darauf, ob die Kühlschrankschranktüren sich gut dicht schließen lassen, ob nicht die Türen beim Herausnehmen oder Hineinstellen von Produkten länger als erforderlich offen gelassen wurden, ob nicht zu viele und zu warme Esswaren in den Kühlschrank gestellt wurden.
 - **Die Oberfläche des Kühlschranks beschlägt sich.** Die Luftfeuchtigkeit in der Umgebung beträgt mehr als 60 Prozent. Lüften Sie den Raum, in dem das Kühlgerät steht, beseitigen sie falls möglich die Ursache für die Feuchtigkeit.
- Anmerkungen zum Betriebsgeräusch des geräts.** Die vom Kühlschrank während des Betriebs verbreiteten verschiedenen Betriebsgeräusche sind normal und deuten nicht auf einen Defekt hin.
- Das Plätschern, Gurgeln und Rauschen kommt vom Kühlmittel, das durch das Kühlsystem des Geräts zirkuliert. Ein kurzes, lauterer Aufheulen oder ein Klicken hört man, wenn der Kompressor des Geräts sich einschaltet.

UMWELTHINWEISE



Dieses Symbol bedeutet, dass der Kühlschrank nach Ablauf der Betriebszeit nicht über den normalen Haushaltsabfall entsorgt werden darf, sondern getrennt, in speziellen, mit diesem Zeichen versehenen Containern, über eine spezielle Sammelstelle entsorgt werden muss.

Genauere Informationen, wo alte Kühlschränke zur Entsorgung abgegeben werden können, erhalten sie von den örtlichen Behörden, dem Geschäft, in dem Sie den Kühlschrank gekauft haben, oder vom Hersteller.

Vor der Entsorgung des Geräts machen Sie dieses bitte unbrauchbar, damit mögliche Unfälle verhindert werden können. Ziehen Sie den Netzstecker aus der Steckdose, zerschneiden sie das Kabel. Reißen Sie dann den Dichtungsgummi vom Kühlgerät. Falls vorhanden, machen Sie das Türschloss unbrauchbar.

ACHTUNG! Zerlegen Sie das Kühlgerät auf keinen Fall selbst. Bringen Sie es zu einem Abfallentsorgungsunternehmen.

GARANTIELEISTUNGEN

FALLS IHR KÜHLSCHRANK NICHT MEHR RICHTIG FUNKTIONIERT, ÜBERZEUGEN SIE SICH, OB SIE DIE URSACHE DES NICHT ZUFRIEDENSTELLENDEN BETRIEBS DES GERÄTS NICHT SELBST BEHEBEN KÖNNEN. Können Sie das Problem nicht selbst lösen, wenden Sie sich telefonisch oder schriftlich an einen Serviceverteter in Ihrer Nähe. Geben Sie dabei unbedingt Modell und Gerätenummer an. Diese Angaben finden Sie auf der Geräteetikette.

Produktdatenblatt Daten gemäß den Anforderungen der Norm EN ISO 23953-2:2005

Modell	CD290-1004, CD290.1004, FKU 290 G, FLK- 292	CD350-1003 CD350.1003 KS CD 350.1 CD350	CD350-1004 KS CD 350.2 CD350-2D CD350-2
Gesamtbruttovolumen, L	290	350	
Nutzzinhalt Kühlteil, l	275	320	
Abmessungen (H/B/T), cm	145 x 60 x 60		173 x 60 x 60
Aufstellfläche, dm ²	115	115	
Masse, kg	55	65	
Klimaklasse	3		
Produkttemperaturklasse	S		
Products temperature ranges, °C	von -2 bis +14		
Fläche zum Türaufmachen, m ²	0,66	0,80	
Allgemeine Produkt-Exposition Bereich, m ²	0,51	0,62	0,58
Anzahl der Flaschen, Stc:	0,33 l 287	322	
	0,5 l PET 126	154	
Max. Belastung pro Ablage kg	40		50
Energieverbrauch, kWh / year	Bei eingeschalteter Beleuchtung 748	Bei ausgeschalteter Beleuchtung 737	Bei eingeschalteter Beleuchtung 781 Bei ausgeschalteter Beleuchtung 756
Elektrische Daten	siehe Typenschild		
A-bewerteter Schalldruckpegel unter 70db(A)			

ANMERKUNG. Der Hersteller behält sich das Recht vor, die in der Gebrauchsanweisung genannten technischen Eigenschaften des Geräts sowie dessen Ausstattung zu ändern.

Produktdatenblatt

Model	CD350-1313, CD350-311
Gesamtbruttovolumen, L	350
Nutzzinhalt Kühlteil, l	330
Abmessungen (Höhe x Breite x Tiefe), cm	173 x 60 x 60
Aufstellfläche, dm ²	120
Klimaklasse	N
Temperatur im Kühlteil, °C	from +4 to +14
Masse, kg	67
Fläche zum Türaufmachen, m ²	0,80
Allgemeine Produkt-Exposition Bereich, m ²	0,62
Anzahl der Flaschen, Stc 0,75 l	105 pcs.
Max. Belastung pro Ablage kg	50
Energieeffizienzklasse	D A
Energieverbrauch: kWh/year	321 161
Luftschallemissionen [dB(A) re1 pW]	43
Elektrische Daten	siehe Typenschild

ANMERKUNG. Der Hersteller behält sich das Recht vor, die in der Gebrauchsanweisung genannten technischen Eigenschaften des Geräts sowie dessen Ausstattung zu ändern.

LISEZ ATTENTIVEMENT LES INSTRUCTIONS FOURNIES PAR LE MODE D'EMPLOI. Respectez scrupuleusement ces instructions afin d'éviter tout risque de blessure, d'endommagement de l'appareil.

Le fabricant n'assume aucune responsabilité pour des dommages causés par une utilisation non conforme aux instructions.


Nous vous conseillons de conserver ce Mode d'emploi durant toute la durée d'utilisation de l'appareil. Si vous vendez l'appareil, faites parvenir le Mode d'emploi au nouveau propriétaire.

PRECAUTIONS AVANT L'EMPLOI

- Ne couvrez pas les grilles de ventilation situées sur la partie supérieure et les côtés de l'appareil.
- N'utilisez pas d'appareils électriques dans le compartiment de conservation.
- Si le câble d'alimentation est endommagé, il doit être remplacé par le fabricant, son service après vente ou des personnes de qualification similaire afin d'éviter un danger.
- La mise au rebut de l'appareil doit se faire dans le respect de la réglementation nationale.
- N'endommagez pas le circuit de réfrigération de l'appareil. Il contient le gaz réfrigérant R600a. Si le système de réfrigération est endommagé:
 - N'utilisez pas de flamme près de l'appareil.
 - Evitez les étincelles – n'allumez pas d'appareil électrique ou de lampe électrique.
 - Ventilez immédiatement la pièce.
- Ne pas stocker dans cet appareil des substances explosives telles que des aérosols contenant des gaz propulseurs inflammables.
- Cet appareil doit être uniquement utilisé pour entreposer les denrées alimentaires

BRANCHEMENT AU RÉSEAU ELECTRIQUE

- Cet appareil doit être branché sur une prise de terre conforme aux normes en vigueur. Assurez-vous que la tension sur le réseau de votre habitation coïncide avec les indications fournies sur la fiche signalétique de l'appareil. Cet appareil répond aux normes de sécurité CE en vigueur. La prise électrique reliée à la terre par laquelle l'appareil est branché sur le secteur devrait être dans un endroit accessible.
- La fréquence et la puissance de l'installation électrique de votre domicile doivent être conforme aux paramètres généraux de l'appareil comme il est écrit dans le.

- Ne pas brancher cet appareil sur un transformateur, ni sur une rallonge avec d'autres appareils électriques
 - ATTENTION! SI L'APPAREIL EST PRODUIT LE CORDON D'ALIMENTATION SPÉCIAL il peut être échangé SEULEMENT PAR LE CORDON D'ALIMENTATION SPÉCIAL MÊME fournies par le fabricant.
 - Assurez-vous que la prise du câble n'est pas écrasée entre l'arrière de l'appareil et le mur, ou endommagée pour quelque autre raison. Une prise endommagée peut être à l'origine d'un incendie!
 - Lorsque vous positionnez l'appareil, prenez garde à ne pas écraser et endommager le câble électrique. Si vous entreposez des objets lourds tels qu'appareils rafraîchissants ou électroménagers près du réfrigérateur, assurez-vous qu'ils ne risquent pas d'écraser ou d'endommager le câble électrique. Cela pourrait créer un court-circuit et faire prendre feu au câble.
 - ATTENTION: Ne pas retirer le couvercle de l'éclairage LED intérieur. En cas de mauvais fonctionnement, veuillez contacter le service clientèle pour toute assistance.
 - SI L'APPAREIL A ETE DEBRANCHE (POUR LE NETTOYER, LE DEPLACER ETC.) IL FAUDRA PEUT-ETRE LE BRANCHER APRES 15 MINUTES.
 - Cet appareil ne peut pas être brûlé pour sa mise au rebut. .
 - Ne placez aucun appareil électrique en fonctionnement (four micro ondes, bouilloire électrique...) sur l'appareil, cela pourrait faire fondre les composants en plastique.
 - Ne placez pas d'assiette remplie de liquide, de vase de fleurs remplis d'eau ou tout autre récipient contenant du liquide sur l'appareil.
 - Une fois l'appareil déballé, assurez-vous qu'il est complet, que la structure et les câbles de branchement ne sont pas endommagés.
 - Il est interdit d'utiliser un appareil techniquement endommagé.
-  Si l'appareil ne marche pas et qu'il n'est pas possible de le réparer à l'aide de ce mode d'emploi, débranchez-le, ouvrez les portes, et appelez un service spécialisé seul un opérateur du service après-vente peut remédier à tous les problèmes techniques ou de construction.

INFORMATIONS GÉNÉRALES

Le réfrigérateur c'est un réfrigérateur vitré commercial destiné au refroidissement, exposition et conservation des produits alimentaires et des boissons. **Ces appareils sont destinés à des fins commerciales!**

LE FABRICANT GARANTIT UN BON FONCTIONNEMENT DU REFRIGERATEUR LORSQUE LA TEMPERATURE AMBIANTE EST COMPRISE ENTRE 16 ET 32 DEGRES CELSIUS QUE L'HUMIDITE DE L'AIR ENVIRONNANT NE DEPASSE PAS LES 60 %.

Fiche technique du produit Les données selon les exigences de la norme EN ISO 23953-2:2005



Modèle	CD290-1004, CD290.1004, FKU 290 G, FLK- 292		CD350-1003 KS CD 350.1 CD350-1D, CD351 CD350	CD350-1004 KS CD 350.2 CD350-2D CD350-2
	Volume total approx. en litres	290		350
Volume net du réfrigérateur, en litres	275		320	
Dimensions (hauteur x longueur x largeur), en cm	145 x 60 x 60		173 x 60 x 60	
Surface de l'ensemble d'étagères, en dm ²	115		115	
Poids, en kg	55		65	
La classe du climat	3			
Classe de la température à produits	S			
Plages de température des produits, °C (conformément à la norme UE ISO 23953-2:2015, p .4.2.2)	de -2 à +14			
La superficie de l'ouverture de la porte, en m ²	0,66		0,80	
La superficie de l'exposition des produits, en m ²	0,51		0,62	0,58
Nombre de bouteilles	0,33 l	287		322
	0,5 l PET	126		154
La charge maximale d'un rayon, en kg	40		50	
Consommation d'énergie lorsque la température ambiante est +25 °C, kW h/an	Éclairage branché	Éclairage débranché	Éclairage branché	Éclairage débranché
	748	737	781	756
Puissance nominale d'éclairage, en W	3			

NOTE. Le fabricant se réserve le droit d'apporter dans le futur des modifications aux caractéristiques techniques et aux spécificités de l'appareil.

DESCRIPTION DE L'APPAREIL, ELEMENTS DE BASE

Voir fig. 1, page 1

1 Bouton pour allumer et éteindre la lumière interne	6 Ventilateur
2 Bouton de contrôle du thermostat	7 Huit grilles ajustables
3 Echelle du thermorégulateur	8 Liquide nettoyant du drain d'écoulement
4 Voyant de branchement (lumière verte)	9 Condensateur
5 Bloc lumière interne (LED)	10 Compresseur

1 — BOUTON POUR ALLUMER ET ETEINDRE LA LUMIERE INTERNE. Pour faire apparaître un éclairage dans une chambre de conservation des réfrigérateurs appuyez sur un bouton de l'interrupteur  - branché,  - débranché.

2 — BOUTON DE CONTROLE DU THERMOSTAT. La température à l'intérieur de l'armoire est réglable à l'aide du bouton du thermostat. En tournant le bouton du thermorégulateur dans la direction de l'aiguille de montre la température devient de plus en plus basse dans la chambre de conservation.

ATTENTION! Le ventilateur de l'appareil est activé et fonctionne en continu.

PRÉPARATION DE L'APPAREIL

Il est recommandé d'effectuer ces opérations avec l'aide d'une autre personne.

- Décollez des ceintures collantes des côtés du réfrigérateur, enlevezle et tirez l'appareil de protection. Décollez des ceintures collantes et ouvrez la porte. Enlevez un intermédiaire qui se trouve audessus de la porte.

Pendant le placement, le déplacement, le soulèvement ne saisissez pas les poignées des portes, ne tirez pas par le réfrigérant à l'arrière du réfrigérateur ainsi que ne touchez pas le groupe compresseur.

- Vous pourrez déplacer plus facilement l'appareil jusqu'à l'emplacement choisi si vous le soulevez légèrement par l'avant, le faites basculer vers l'arrière de sorte qu'il se place sur ses roulettes.
- Sortez de la pochette deux oppuis et mettez les dans les guidages se trouvant sur la partie arrière du meuble (voir fig. 4, page 1).
- Si l'appareil a été exposé au froid (à moins de 12 °C), **attendez deux heures avant de le brancher.**
- **L'appareil ne doit pas être branché avant que tout l'emballage et le matériel de transport n'aient été enlevés.** Jetez l'emballage de façon appropriée.

POSITIONNEMENT

- Placez l'appareil dans une pièce sèche et bien aérée.



ATTENTION! L'appareil ne doit pas être mis en fonctionnement dans une pièce non chauffée ou en extérieur. Placez toujours l'appareil loin de sources de chaleur comme les fours, les radiateurs, et évitez toute exposition directe aux rayons du soleil. L'appareil ne doit pas être en contact de tuyau de chauffage, de gaz, ou d'évacuation d'eau, ni tout autre appareil électrique.

- Ne recouvrez pas les grilles d'aération sur le dessus de l'appareil – et assurez-vous que l'air puisse circuler librement tout autour de celui-ci. Il doit y avoir un espace d'au moins 10 cm entre le haut de l'appareil et tout autre appareil (ou meuble) éventuellement situé au-dessus de celui-ci. Si cette précaution n'est pas respectée, l'appareil consomme plus d'énergie et son compresseur pourrait surchauffer.
- Si l'appareil est placé dans un angle, il doit y avoir un espace d'au moins 1 cm entre la paroi de l'appareil et le mur (voir fig. 2, page 1).
- L'appareil doit être placé sur une surface plane, et ne doit pas être en contact avec le mur. Si nécessaire, réglez la hauteur de l'appareil en ajustant les pieds de mise de niveau: si vous les tournez dans le sens des aiguilles d'une montre l'appareil se soulève, dans le sens contraire il se baisse. Si l'appareil est très légèrement penché vers l'arrière, les portes se refermeront toutes seules.

COMMENT RÉGLER LA TEMPÉRATURE

Vous pouvez régler la température du compartiment réfrigérant à l'aide du bouton de contrôle du thermostat **2** (voir fig. 1), en le tournant d'un côté ou de l'autre. Vous pouvez voir la graduation de température en dessous du bouton de contrôle du thermostat **3** (voir fig. 1).

Vous pouvez régler la température sur graduations:

0 = Le compresseur est éteint. **ATTENTION ! Le courant électrique n'est pas enlevé.**

1 = température maximale (refroidissement minimum)

5 = température minimale (refroidissement maximum)



SI LA PIÈCE OU SE TROUVE L'APPAREIL EST FRAICHE, CELUI-CI REFROIDIRA MOINS. LA TEMPÉRATURE INTÉRIEURE DE L'APPAREIL POURRAIT DONC AUGMENTER. Réglez dans ce cas le thermostat sur une température plus basse.

DÉGIVRAGE. NETTOYAGE ET ENTRETIEN

LE DÉGIVRAGE DU COMPARTIMENT RÉFRIGÉRANT EST ENTIÈREMENT AUTOMATIQUE. La glace qui se forme sur la paroi arrière du compartiment réfrigérant fond lorsque le compresseur n'est pas en marche, l'eau du dégivrage coule le long du drain d'écoulement jusqu'au plateau situé au-dessus du compresseur, d'où elle s'évapore.

NETTOYEZ RÉGULIÈREMENT L'APPAREIL.



Rappelez-vous qu'avant de nettoyer la partie arrière de l'appareil vous devez le débrancher de la prise électrique en retirant la fiche de la prise électrique.

- Évitez que les surfaces et les parties en plastique soient en contact avec les sauces, la graisse ou des aliments acides. Si cela se produit accidentellement – nettoyez-les immédiatement avec de l'eau chaude savonneuse ou du produit vaisselle. Séchez soigneusement.
- Nettoyez les surfaces internes de l'appareil avec de l'eau chaude savonneuse. Vous pouvez également utiliser du produit vaisselle. Essuyez soigneusement les surfaces internes et externes.
- Nettoyez régulièrement les joints hermétiques des portes. Essuyez soigneusement.
- NETTOYEZ RÉGULIÈREMENT LE DRAIN D'ÉCOULEMENT DE L'EAU DU DÉGIVRAGE AVEC LE NETTOYANT **8** PRÉVU À CET EFFET (Fig. 1).
- Otez au moins une fois par an la poussière accumulée dans la partie postérieure de l'appareil et le compresseur. Utilisez pour cela une brosse douce, un tissu électrostatique ou un aspirateur.
- N'UTILISEZ PAS de détergents contenant des produits abrasifs, de l'acide, de l'alcool ou de l'essence pour nettoyer les surfaces internes et externes. N'UTILISEZ PAS d'éponges ou matériaux abrasifs.
- SI VOUS LAISSEZ L'APPAREIL ÉTEINT PENDANT UNE LONGUE PÉRIODE, LAISSEZ LES PORTES OUVERTES.

Remarques sur le bruit de fonctionnement de l'appareil. Lorsque l'appareil est en marche et que le cycle de refroidissement se met en route, il fait du bruit. Ceci est normal et n'est pas le signe d'un mauvais fonctionnement.

PROBLÈMES DE FONCTIONNEMENT ET SOLUTIONS

- **L'appareil est branché mais il ne marche pas et l'indicateur de voltage n'est pas allumé.** Vérifiez que l'installation électrique de la maison fonctionne normalement. Vérifiez que la prise est correctement branchée.
- **Le bruit est devenu beaucoup plus fort.** Vérifiez que l'appareil est stable, sur une surface plane. Pour le stabiliser, réglez les pieds avant. Vérifiez que l'appareil ne touche aucun autre meuble, ou que la partie postérieure ne soit pas en contact avec le mur. Détachez l'appareil des autres meubles et du mur. Vérifiez que le bruit n'est pas dû à des bouteilles, des cannettes ou de la vaisselle qui s'entrechoquent.
- **Il y a de l'eau sur le haut du compartiment réfrigérant.** Vérifiez que le drain d'écoulement n'est pas bouché. Nettoyez le drain d'écoulement de l'eau du dégivrage avec le produit prévu à cet effet.
- **Il y a de l'eau sous l'appareil.** Le bac de collecte de l'eau a glissé hors du compresseur. Remplacez le bac de collecte de l'eau au-dessus du compresseur.
- **Quand on ouvre la porte, le joint de porte en caoutchouc s'arrache.** Le joint est enduit de substances poisseuses (graisse, sirop...). Nettoyez le joint avec de l'eau chaude savonneuse ou contenant du produit vaisselle puis essuyez-le soigneusement. Remettez en place le joint de porte.
- **La température de l'appareil est élevée, et le compresseur fait des pauses très brèves.** Assurez-vous que la porte de l'appareil soit correctement fermée, qu'elle n'ait pas été laissée ouverte plus longtemps que nécessaire, ou qu'une grande quantité de nourriture chaude n'ait pas été entreposée dans l'appareil.
- **Il y a de la condensation sur le haut de l'appareil.** L'air ambiant a une humidité supérieure à 60 %. Ventilez la pièce où est placé l'appareil, et si possible éliminez les causes d'humidité.

TRANSPORT



LE FABRICANT NE POURRA ETRE TENU RESPONSABLE DE TOUT DOMMAGE CAUSE PAR LE NON-RESPECT DES INSTRUCTIONS CONCERNANT LE TRANSPORT.

- L'appareil doit être transporté en position verticale.
- Pendant le transport, mettez l'appareil à l'abri des conditions atmosphériques (pluie, neige, humidité).
- Pendant le transport, l'appareil doit être solidement attaché, afin d'éviter glissements et chocs.
- **Si l'appareil n'a pas été transporté en position verticale, vous devez attendre 4 heures minimum avant de le brancher. Si cette précaution n'est pas respectée, le compresseur de l'appareil pourrait ne pas fonctionner correctement.**

INFORMATIONS POUR LA PROTECTION DE L'ENVIRONNEMENT



Ce symbole indique qu'une fois l'usage de l'appareil terminé, il ne peut être déposé avec les ordures ménagères. Il doit être collecté et éliminé séparément, dans des conteneurs signalés par ce symbole, auprès des déchetteries ou centres de collecte d'électroménagers. Vous pouvez trouver des informations complètes sur la collecte des déchets encombrants et des électroménagers auprès des autorités locales, auprès du magasin où vous avez acheté cet appareil, ou auprès du fabricant.

Si vous décidez de mettre cet appareil à la casse, mettez-le hors d'usage afin d'éviter tout accident. Débranchez l'appareil et sectionnez le câble d'alimentation électrique. Arrachez le caoutchouc de fermeture de la porte. Cassez la serrure de la porte s'il y en a une. **ATTENTION! Ne démontez pas l'appareil par vous-même. Confiez-le à une entreprise de recyclage.**

SERVICE DE GARANTIE

SI VOTRE APPAREIL NE FONCTIONNE PAS CORRECTEMENT, VERIFIEZ D'ABORD SI VOUS NE POUVEZ PAS Y REMEDIER PAR VOUS-MEME. Si cela est impossible, contactez le service d'assistance technique le plus proche, par téléphone ou par courrier. Lors du signalement de la panne, indiquez le modèle et le numéro de série du Réfrigérateur. Vous trouverez ces données sur l'étiquette du modèle, située sur la paroi du compartiment réfrigérant.

