

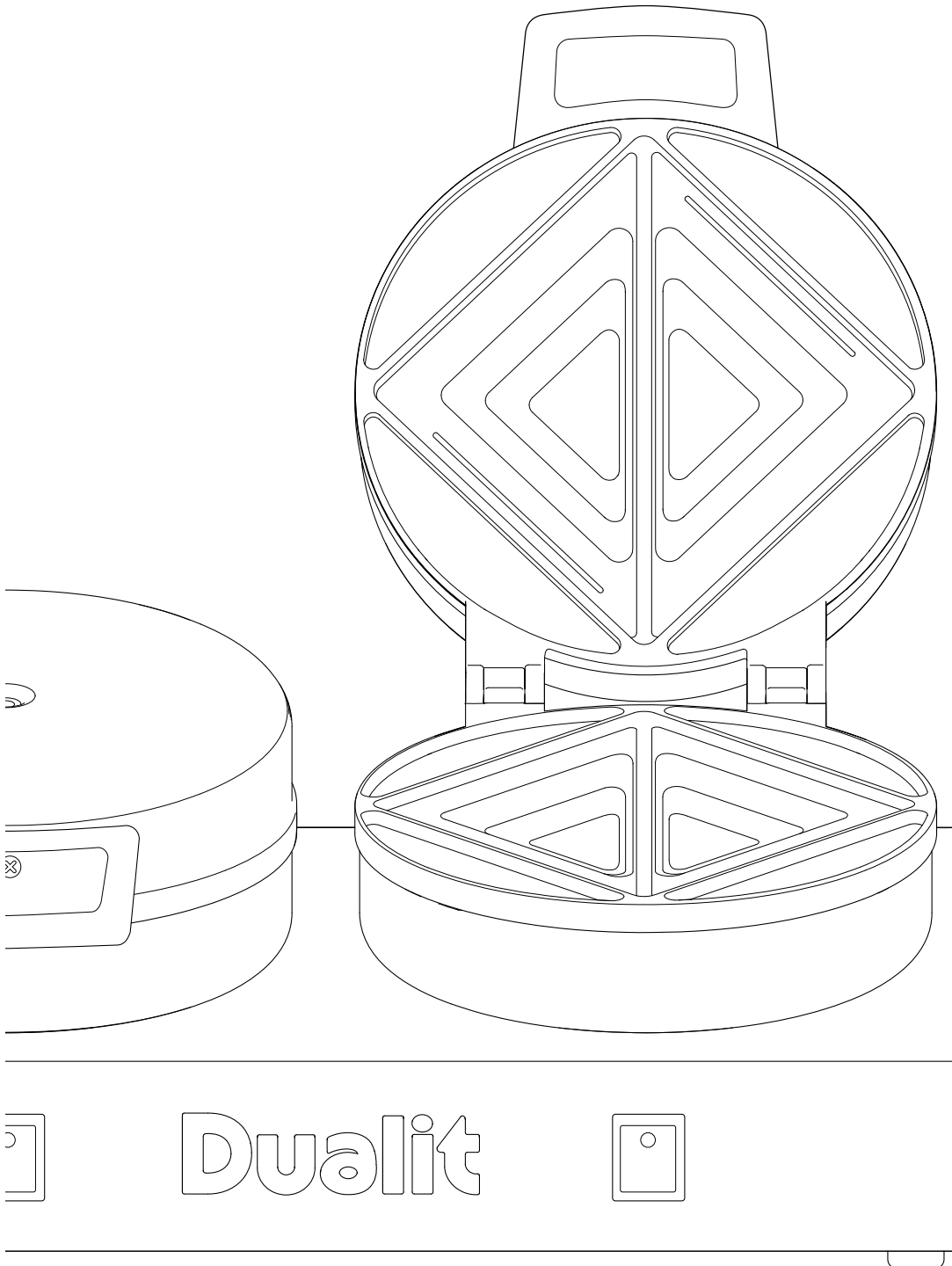
Contact Toastie Maker

Instruction Manual & Guarantee

Dualit[®]

Since 1945

E M G A

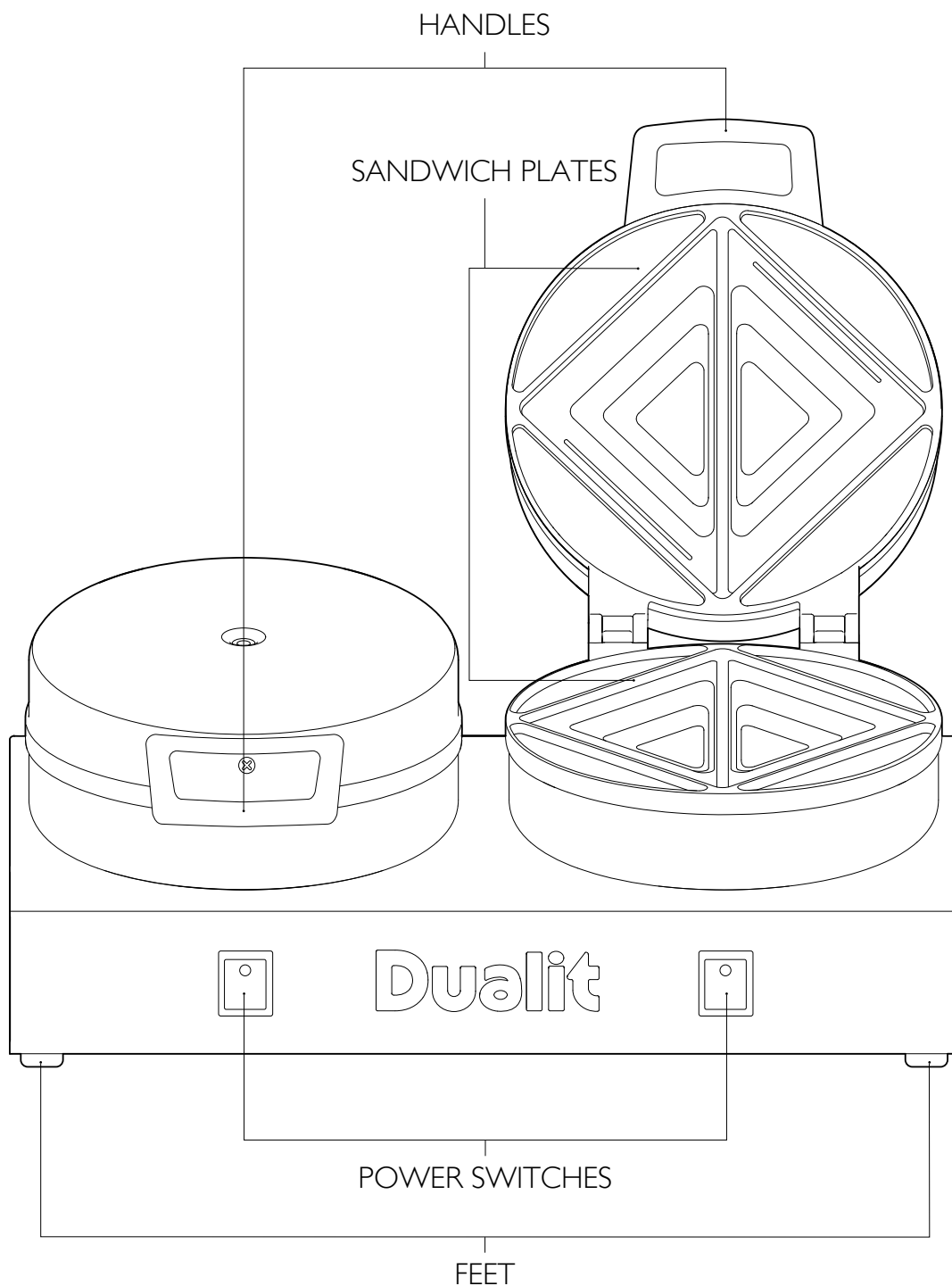


***310.007**

CONTACT SANDWICH TOASTER

KNOW YOUR TOASTIE MAKER

The hardworking stainless steel Contact Toaster makes delicious toasted sealed triangle sandwiches. The machine is made from satin finish, top grade stainless steel and each plate is coated with two layers of Non-stick coating. The Hotplates can be turned on individually for greater economy.



OPERATING INSTRUCTIONS

1. Before first use remove the screws on handle and fit plastic handle over clamp and screw on tightly.
2. Both sets of plates can be switched on and off independently.
3. Pre-heat sandwich plates for 8 minutes.
4. Lightly butter **OUTSIDE** of the bread.
5. Place choice of fillings between **UNBUTTERED INSIDE** of the sandwich.
6. Close lid and compress sandwich for 10 seconds.
7. Leave between plates for 70-90 seconds depending on the filling.
8. Remove sandwich with plastic tongs, **NOT** metal.
9. It is imperative that the sandwich plates are wiped over with a damp cloth after each use to prevent carbon build up.
10. Never immerse the toastie maker in water.
11. Shut off power when not in use and disconnect from wall socket.

DAILY CLEANING

Ensure that the toastie maker is disconnected from the electricity supply before attempting any cleaning. Use a damp soapy cloth and **NYLON BRUSH** to clean **ALL** signs of grease off the plates and then wipe clean with a damp cloth.

IT IS IMPERATIVE THAT THE CLEANING INSTRUCTIONS ARE COMPLIED WITH.