

E M G A



***310.008**
11 Liter SOUP KETTLE



! ! **IMPORTANT SAFETY PRECAUTIONS**

READ ALL INSTRUCTIONS

BEFORE USING THE SOUP KETTLE KEEP THESE INSTRUCTIONS FOR FUTURE REFERENCE

IMPORTANT SAFEGUARDS

- This appliance must not be used by children younger than 8 years old and persons with very extensive and complex disabilities. Children aged 8-14 years and persons with reduced physical, sensory or mental capabilities or lack of experience and knowledge shall not use this appliance, unless they are supervised and have been given instruction concerning the use of the appliance in a safe way and understand the hazards involved. Children shall not play with the appliance. Cleaning and user maintenance shall not be made by children unless they are older than 8 and supervised. Keep the appliance and its cord out of reach of children less than 8 years old.

Electrical safety

- Before plugging in, check that the voltage on the rating label is the same as the mains supply.
- We recommend that the soup kettle is plugged into a socket that has no other appliance connected to it. Failure to do this may cause an overload, trip a circuit breaker or blow a fuse. Preferably the socket should be protected by a Residual Current Device (RCD).
- Unplug from outlet when not in use. Allow to cool before cleaning and before putting on or taking off parts.
- To protect against electric shock, do not immerse any part of this product in water or other liquid.
- **NOTE:** Any plug cut from power supply cord should be disposed of immediately. Inserting any cut off plug into a 13A socket-outlet is hazardous.
- Do not operate any appliance with a damaged lead or plug, or after the appliance malfunctions or has been damaged, cracked or dropped in any manner.
- If the power cord is damaged it must, for safety reasons, be replaced by Dualit or an authorised Dualit repairer.
- Never use the plug without the fuse cover fitted. Ensure replacement fuse is the same current value as original.
- Replacement fuses should be ASTA approved to BS 1362.
- **WARNING:** This appliance must be earthed.

General safety

- Do not place the soup kettle or mains lead on or near any hot surface, hot hob, gas burner or in a heated oven.
- Do not allow cable to touch hot surfaces, or to hang over edge of a table or counter top.
- Keep the appliance and its cord out of reach of children.
- **Do not use appliance for any purpose other than the intended use.**
- Do not use if dropped, cracked or damaged.
- Parts or surfaces of the soup kettle will get hot during use.
- Do not touch hot surfaces, move or carry the soup kettle when hot or full.
- The use of accessory attachments not recommended by Dualit may result in fire, electric shock or injury to persons.
- Do not operate on an inclined plane.

- Do not use outdoors.
- Do not store or use in an appliance garage, under cupboards, near curtains or flammable material. A fire may occur if incorrectly positioned.
- Position main body on an open, level surface and ensure the soup kettle is at least 200mm clear from overhanging cupboards and walls.
- A short power-supply cord is to be provided to reduce risks resulting from becoming entangled in or tripping over a longer cord.
- Keep the soup kettle empty when not in use. Do not operate the soup kettle empty.
- The food item must be heated prior to using the soup kettle. The kettle is designed to keep food warm, not for cooking
- Never move or carry the soup kettle when unit is switched on, or containing food.
- Do not overfill.
- Always operate with lid in place.
- Appliance should not be installed in an area where a water jet could be used. Appliance must not be cleaned by water jet.
- Check the water level every 15 minutes to ensure it is between the minimum and maximum mark. Refill as necessary.
- **This is a wet and dry heat soup kettle.**

SAVE THESE INSTRUCTIONS

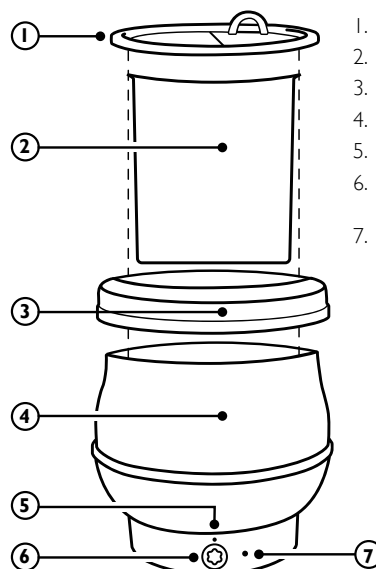
In the interest of improving products, Dualit Ltd. reserves the right to change the product specification without prior notice. All illustrations are for representation only, your model may vary from illustrations shown.

INSTRUCTIONS ON ENVIRONMENT PROTECTION

- Do not dispose this product in the usual household garbage at the end of its life cycle. Please hand it over to a collection point for the recycling of electrical and electronic appliances. The symbol on the product, the instruction of use or the packaging will inform you about the methods of disposal. The materials are recyclable as mentioned on its marking. By recycling, material recycling or other forms of re-utilization of old appliances you are making an important contribution to protect our environment. Please enquire at the community administration for the authorised disposal location.



KNOW YOUR SOUP KETTLE



1. Hinged lid
2. Stainless steel liner
3. Collar
4. Main body
5. Setting indicator
6. Temperature control '0' = Off position
7. Power light

SETTING UP

Thoroughly wash the stainless steel liner and lid in warm soapy water.

Do not store or use in an appliance garage, under cupboards, near curtains or flammable material. A fire may occur if incorrectly positioned. Position main body on an open, level surface and ensure the soup kettle is at least 200mm clear from overhanging cupboards and walls.

Place collar on top of main body and insert the stainless steel liner into the main body. Once assembled the liner will hold the collar and lid in place.

Plug unit into correct electrical socket.

This appliance is suitable for **wet and dry heat operation**.

For wet operation, add 200ml of water into the inner casting. The water level **must not** exceed the height of the eight water level markers at the base of the casting. The inner stainless steel liner **must not** float up, even when empty. Should it do so the inner casting has been overfilled with water and the excess water should be removed immediately. Check every 15 minutes and refill if water level gets low, do not let it evaporate and heat empty.

The temperature control should be set between 1 and 8 and this should provide enough heat to keep food at correct temperature.

For dry operation the simmerstat must be increased by one number to maintain the equivalent temperature needed by the wet method.

Add your already heated food items into the stainless steel liner.

To turn on, rotate the temperature knob clockwise to the desired setting. The power light will then come on.

Always operate the soup kettle at the lowest possible temperature in order to minimise electricity costs.

Actual operating temperatures vary depending on; type and volume of food being kept warm, ambient air temperature, lid in place or removed, and ventilation.

It is the users responsibility to ensure food being served is kept warm at the correct temperature.

Attach the soup of the day label into the groove, located on the soup kettle body near the collar.

To switch off, turn the dial to '0'. Unplug from the wall socket to isolate kettle from the electrical supply.

Always keep the removable hinged lid attached and in the closed position when not serving.

Never move or carry the kettle when unit is switched on, or containing food. Switch off, unplug and disassemble before cleaning.

CLEANING & CARE

Switch the soup kettle off, remove the plug from the wall socket and let the soup kettle cool down before you start cleaning it.

Do not let the main body, flex or plug get wet. Wipe the outside of the soup kettle with a soft moist cloth and dry it with another cloth. Spilled food should be removed immediately from all exterior surfaces. The stainless steel bain marie and lid are machine washable. The soup kettle must not be cleaned with a high pressure jet.