



UK	RANGE, GAS SOLID TOP 600-650 Installation-Use-Maintenance
FR	FORNEAUX, PLAQUES COUP-DE-FEU A GAZ 600-650 Installation-Emploi-Entretien
DE	HERDE, GASBEHEIZTE GLÜHPLATTENHERDE 600-650 Installation-Gebrauch-Wartung
NL	FORNUIS, GAS GRILLPLATEN 600-650 Installatie-Gebruik-Onderhoud



MOD.

_60/30 PCG...	_60/30 PCE...	_CEG/70	_65/110 CFGG
_60/60 PCG...	_60/60 PCE...	_CEG/110	_65/40 PCE
_60/90 PCG...	_60/90 PCE...	_65/40 PG/40 P	_65/70 PCE
_60/60 CFG	_60/60 CFE	_65/40 PCG	_65/70 CFE
_60/60 CFGE	_60/60 CFE/P 2/3	_65/70 PCG	_65/70 TPG
_60/60 CFGE/P 2/3	_60/90 CFE	_65/70 CFG	_65/70 TPGF
_60/90 CFGE	_60/90 CFE/P	_65/70 CFGE	_65/110 TPGF
_60/90 CFGE/P	_60/40 PCE-D	_65/110 CFG	_FPG/55
_60/40 PCG-D	_60/60 PCE-D	_65/110 CFGE	_FPE/55
_60/60 PCG-D			

Doc.n°	252.453.00
Edition	00

UK - INSTALLATION – USE - MAINTENANCE

I. GENERAL PRESCRIPTIONS



READ THIS MANUAL CAREFULLY. IT PROVIDES IMPORTANT INFORMATION FOR SAFE INSTALLATION, USE AND MAINTENANCE OF THE APPLIANCE.



FAILURE TO COMPLY WITH WHAT IS PRESENTED BELOW MAY COMPROMISE THE SAFETY OF THE EQUIPMENT.



THE MANUFACTURER WILL NOT BE LIABLE FOR ANY DAMAGE OR INJURY RESULTING FROM FAILURE TO OBSERVING THE FOLLOWING RULES.



TRANSLATION OF THE ORIGINAL INSTRUCTIONS.



APPLIANCES NEED PRECAUTIONS FOR INSTALLATION, PLACING AND/OR FIXATION AND CONNECTION TO THE MAINS. SEE SECTION “INSTALLATION INSTRUCTIONS”.



THE APPLIANCES NEED PRECAUTIONS FOR CLEANING. SEE THE SECTION “INSTRUCTION FOR CLEANING”.



THE SYMBOL “ HIGH VOLTAGE” IS PLACED ON A PANEL THAT GIVES ACCESS TO A PART WITH HIGH VOLTAGE.

Keep this manual in a safe place, known to all users, so that it can be consulted throughout the working life of the appliance.

This equipment is designed for cooking food. It is intended for industrial use. Any other use is to be considered improper

This appliance is not intended for use by people (including children) with limited physical, sensory or mental abilities or without experience and knowledge of it.

Unless they are supervised or instructed in its use by a person responsible for their safety.

Do not leave the appliance unattended in presence of children and ensure that the latter do not have access to the appliance.

The appliance must be used by trained personnel. Do not leave the appliance unattended when operating.



DO NOT STORE " INFLAMMABLE MATERIALS IN CLOSE PROXIMITY TO THE APPLIANCE. FIRE HAZARD.

The appliance must be installed in a well-ventilated room.

Inadequate ventilation causes asphyxia. Do not obstruct the ventilation system of the place where the

appliance is installed. Do not obstruct the vents or ducts of this or other appliances.

In the event of an appliance fault or malfunction, shut the gas shut-off valve and/or switch the appliance off at the main switch installed upstream.

Installation and conversion to a different type of gas must be carried out by qualified technicians authorized by the manufacturer, in compliance with current safety standards and the instructions in this manual.

Appliance maintenance and conversion to a different type of gas must be carried out by qualified technicians authorized by the manufacturer, in compliance with current safety standards and the instructions in this manual.

Clean the appliance following the instructions given in Chapter “ INSTRUCTIONS FOR CLEANING”.

1. DISPOSAL OF PACKING AND OF THE APPLIANCE

PACKING

The packing is made using environmentally friendly materials. The plastic recyclable components are:

- the transparent cover, the bags containing the instructions manual and nozzles (made of Polyethylene - PE).
- the straps (in Polypropylene - PP).

APPLIANCE

The appliance is manufactured 90% from recyclable metals (stainless steel, aluminium sheet, copper...).

The appliance must be scrapped in compliance with current regulations governing such disposal.

Make the appliance unusable before scrapping.

It must be disposed of properly.



THE SYMBOL SHOWING A CROSSED-OUT WASTE CONTAINER ON THE UNIT OR PACKAGE INDICATES THAT, AT THE END OF ITS LIFE CYCLE, THE PRODUCT MUST BE COLLECTED SEPARATE FROM OTHER WASTE.

THE DIFFERENTIATED COLLECTION OF THIS EQUIPMENT IS ORGANISED AND MANAGED BY THE PRODUCER.

THE USER WHO INTENDS TO GET RID OF THIS EQUIPMENT SHALL CONTACT THE PRODUCER AND FOLLOW THE SYSTEM THAT THE LATTER HAS USED IN ORDER TO COLLECT THE EQUIPMENT SEPARATELY AT THE END OF ITS LIFE.

PROPER SEPARATE COLLECTION HELPS PREVENT POSSIBLE NEGATIVE IMPACTS ON THE ENVIRONMENT AND HEALTH, AND FAVOURS THE REUSE AND/OR RECYCLING OF THE UNIT'S MATERIALS.

ABUSIVE DISPOSAL OF THE PRODUCT BY THE HOLDER WILL RESULT IN THE APPLICATION OF PENALTIES AS PER CURRENT STANDARDS.

2. SAFETY DEVICES

ELECTRIC OVEN

SAFETY THERMOSTAT



THE MANUFACTURER WILL NOT BE LIABLE FOR ANY DAMAGE OR INJURY RESULTING FROM FAILURE TO OBSERVING THE FOLLOWING RULES.

The appliance is equipped with a manual reset safety thermostat that interrupts heating when the operating temperature exceeds the maximum permitted value.

To restore appliance operation, remove the control panel and press the thermostat reset button. This procedure must only be carried out by a qualified, authorized technician.

II. INSTRUCTIONS FOR INSTALLATION

3. REMINDERS FOR THE INSTALLER



READ THIS MANUAL CAREFULLY. IT PROVIDES IMPORTANT INFORMATION FOR SAFE INSTALLATION, USE AND MAINTENANCE OF THE APPLIANCE. FAILURE TO COMPLY WITH WHAT IS PRESENTED BELOW MAY COMPROMISE THE SAFETY OF THE EQUIPMENT.



THE MANUFACTURER WILL NOT BE LIABLE FOR ANY DAMAGE OR INJURY RESULTING FROM FAILURE TO OBSERVING THE FOLLOWING RULES.



Identify the specific appliance model. The model number is detailed on the packing and on the appliance dataplate.

The appliance must be installed in a well-ventilated room.

Installation and conversion to a different type of gas must be carried out by qualified technicians authorized by the manufacturer, in compliance with current safety standards and the instructions in this manual.

Appliance maintenance and conversion to a different type of gas must be carried out by qualified technicians authorized by the manufacturer, in compliance with current safety standards and the instructions in this manual.

Do not obstruct any air vents or drains present on the appliance.

Do not tamper with appliance components.

4. REFERENCE STANDARDS AND LAWS

Install the appliance in accordance with the safety standards in force in the country.

5. UNPACKING

Check the state of the packing and in the event of damage, ask the delivery person to inspect the goods.

Remove the packing.

Remove the protective film from the outer panels.

Use a suitable solvent to remove any residual adhesive from the panels.

6. POSITIONING

The overall dimensions of the appliance and the position of connections are given on the installation diagram at the end of this manual.

The appliance can be installed singly or in combination with other appliances in the same product range.

The appliance is not suitable for integrated installation.

Position the appliance at least 10 cm from adjacent walls.

If the appliance is to be placed near walls, dividers, kitchen furniture, decorative elements etc. this must be made of non-combustible materials

Otherwise, they must be covered with suitable non-combustible heat insulating materials.

Level the appliance by means of the height-adjustable feet

APPLIANCE ASSEMBLY WITH BASE AND BRIDGE

Follow the instructions provided with the type of support utilized.

FUMES EXHAUST SYSTEM

Create a fumes exhaust system based on the "Type " of appliance. The "Type " is stated on the appliance dataplate.

" A1 " TYPE APPLIANCE

Position the "A1" type appliance below an extractor hood to ensure smoke and fumes generated by cooking are removed.

" B21 " TYPE APPLIANCE

Position the "B21" type appliance below an

extractor hood.

" B11 " TYPE APPLIANCE

Fit the "B11" type appliance with a suitable flue, available from the appliance manufacturer. Follow the assembly instructions provided with the flue.

Connect the flue to a 150/155 mm diameter hose, heat resistant to 300°C.

Vent to the outside or into an efficient flue. The hose length must not exceed 3 metres.

7. CONNECTIONS

The position and dimensions of connections are given in the installation diagram at the end of this manual.

CONNECTION TO THE GAS SUPPLY

Check that the appliance is designed to operate with the type of gas supply present on site. Check the information given on the decals on the packing and appliance.

Convert the appliance to the local gas type, if necessary. Follow the instructions at the next paragraph "Conversion to a different type of gas".

On top appliances a rear connection is also available. Remove the plug present and screw it tightly onto the front connector.

A rapid-action gas shut-off valve must be fitted upstream of the appliance in an easily accessible position.

Do not use connection pipes having a diameter smaller than that of the appliance's gas connector.

Once the appliance has been installed, check for gas leaks at the connection points.

ELECTRICAL CONNECTIONS

Check if the appliance is designed to operate at the voltage and frequency of the power supply present on site. Check the details given on the appliance dataplate and plaque near the terminal board.

Install upstream of the equipment in an easily accessible place, an all-pole disconnecting device with a contact gap of allowing full disconnection under the conditions of overvoltage category III.

A flexible rubber cable with insulation specifications not lower than type H05 RN-F must be used for connection.

Connect the power supply cable to the terminal board as shown in the wiring diagram supplied with the appliance.

Secure the power supply cable with the cable clamp.


Protect the power supply cable on the outside of the appliance with a rigid plastic or metal pipe.


If the power supply cable is damaged, it must be replaced by the manufacturer or his service centre or by a person with similar qualifications to prevent any risk.



THE SYMBOL " HIGH VOLTAGE" IS PLACED ON A PANEL THAT GIVES ACCESS TO A PART WITH HIGH VOLTAGE.

PROTECTIVE EARTH AND EARTH BONDING CONNECTIONS

Connect the appliance to an efficient ground circuit. Connect the earth conductor to the terminal with the symbol  next to the main terminal board.

Connect the metal structure of the appliance to the equipotential node. Connect the conductor to the terminal with the symbol  on the outside part of the bottom.

CONNECTION TO THE WATER SUPPLY

The appliance must be connected to a potable water supply. The water inlet pressure must be between 150 kPa and 300 kPa. Use a pressure reducer if the inlet pressure is above the maximum permitted level.

Install a mechanical filter and a shut-off valve upstream of the appliance in an easily accessible point.

Make sure the water circuit is free of ferrous particles before connecting the filter and the appliance.

Seal any unused connectors with a plug.

Once the appliance has been installed, check for gas leaks at the connection points.

CONNECTION TO THE WATER DRAIN

The water drainage system must be made using materials resistant to temperatures of 100 °C. The bottom of the appliance must not be subjected to steam produced by drainage of hot water.

Install a siphoned floor drain with grating below the water drain cock of Boiling pans and in front of Bratt pans.



8. CONVERSION TO ANOTHER TYPE OF GAS

Table Tab1 specifies:

- which gas can be used for the appliance.
- the nozzles and settings for each gas that can be used.

For nozzles, the number indicated in table TAB1 is also stamped on the body of nozzles.

To convert the appliance to the local gas type, follow the instructions given in TAB1 and carry out the steps below:

- Replace the main burner nozzle (UM).
- Adjust the main burner's air regulator to distance A.
- Replace the pilot burner nozzle (UP).
- Adjust the pilot burner air "ow (if necessary).
- Replace the gas valve minimum nozzle (Um).
- Affix the adhesive tab indicating the new type of gas used.
- The nozzles and adhesive tabs are supplied with the appliance.

GAS HOB

REPLACING THE MAIN BURNER NOZZLE

Remove the control panel.

Remove pan stand grids, basins and burners.

Remove nozzle UM and replace it with the one indicated in table TAB1.

Retighten nozzle UM.

Reassemble all parts. For assembly, proceed in reverse order.

REPLACING THE MINIMUM ADJUSTMENT SCREW

Remove the control panel.

Remove nozzle UM and replace it with the one indicated in table TAB1.

Retighten nozzle UM.

Reassemble all parts. For assembly, proceed in reverse order.

GAS SOLID TOP RANGES

REPLACING THE NOZZLE AND THE MAIN BURNER PRIMARY AIR REGULATION

Remove the control panel.
Remove nozzle UM and replace it with the one indicated in table TAB1.
Retighten nozzle UM.
Slacken screw V and position the air regulator at distance A as indicated in table TAB1.
Retighten screw V fully.
Reassemble all parts. For assembly, proceed in reverse order.

REPLACING THE MINIMUM ADJUSTMENT SCREW

Remove the control panel.
Remove nozzle UM and replace it with the one indicated in table TAB1.
Retighten nozzle UM.
Reassemble all parts. For assembly, proceed in reverse order.

REPLACING THE PILOT BURNER NOZZLE

Remove the control panel and internal guards.
Undo connector R.
Remove nozzle UP and replace it with the one indicated in table TAB1.
Retighten connector R. Reassemble all parts.
Following, in reverse order, the sequence used for their removal.

GAS OVEN

REPLACING THE NOZZLE AND THE MAIN BURNER PRIMARY AIR REGULATION

Open the oven door.
remove the sole and the protection panel
Slacken screw V.
remove the UM nozzle.
Retighten nozzle UM.
Place the aeration adjuster at the distance A specified in the table TAB1.
Retighten screw V fully.
Reassemble all parts. For assembly, proceed in reverse order.

REPLACING THE MINIMUM ADJUSTMENT SCREW

Remove the control panel.
Remove nozzle UM and replace it with the one

indicated in table TAB1.
Retighten nozzle UM.
Reassemble all parts. For assembly, proceed in reverse order.

GAS STOCKPOT STOVE

REPLACING THE NOZZLE AND THE MAIN BURNER PRIMARY AIR REGULATION

Remove the control panel.
Remove nozzle UM and replace it with the one indicated in table TAB1.
Retighten nozzle UM.
Slacken screw V and position the air regulator at distance A as indicated in table TAB1.
Retighten screw V fully.
Reassemble all parts. For assembly, proceed in reverse order.

REPLACING THE MINIMUM ADJUSTMENT SCREW

Remove the control panel.
Remove nozzle UM and replace it with the one indicated in table TAB1.
Retighten nozzle UM.
Reassemble all parts. For assembly, proceed in reverse order.

REPLACING THE PILOT BURNER NOZZLE

Remove the control panel.
Undo connector R.
Remove nozzle UP and replace it with the one indicated in table TAB1.
Retighten connector R. Reassemble all parts.
Following, in reverse order, the sequence used for their removal.

9. COMMISSIONING

Following installation, conversion to a different type of gas or any maintenance operations, check appliance operation. In the event of any malfunction, consult the next Paragraph " Troubleshooting " .

GAS APPLIANCES

Switch on the appliance as directed in the instructions and reminders for use given in

Chapter “ INSTRUCTIONS FOR USE “ and check:

- the gas supply pressure (see next Paragraph).
- the correct ignition of the burners and the effectiveness of the fumes removal system.

CHECKING THE GAS SUPPLY PRESSURE

To measure the gas supply pressure use a manometer with a minimum definition of 0,1 mbar.

Remove the control panel.

Remove the screw from on pressure test point PP and connect the manometer to the test point.

Make the measurement with the appliance in operation.



IMPORTANT! IF THE GAS SUPPLY PRESSURE IS NOT WITHIN THE LIMITS (MIN. - MAX) INDICATED IN TABLE TAB2, CEASE OPERATION OF THE APPLIANCE AND CONTACT THE GAS UTILITY COMPANY.

Disconnect the manometer and retighten the retaining screw on the pressure connection.

ELECTRIC EQUIPMENT

Switch on the appliance as directed in the instructions and reminders for use given in Chapter “ INSTRUCTIONS FOR USE “ and check:

- the current values of each phase.
- the correct operation of the heating elements.

III. INSTRUCTIONS FOR USE

10. REMINDERS FOR THE USER



READ THIS MANUAL CAREFULLY. IT PROVIDES IMPORTANT INFORMATION FOR SAFE INSTALLATION, USE AND MAINTENANCE OF THE APPLIANCE.



THE MANUFACTURER WILL NOT BE LIABLE FOR ANY DAMAGE OR INJURY RESULTING FROM FAILURE TO OBSERVING THE FOLLOWING RULES.

For after-sales service, contact technical assistance centres authorized by the manufacturer and demand the use of original spare parts.

Have the appliance serviced at least twice a year. The manufacturer recommends taking out a

service contract.

The appliance is designed for professional use and must be operated by trained personnel.

The appliance is to be used for cooking food as specified in the prescriptions for use. Any other use is considered to be improper.

Do not allow the appliance to operate empty for prolonged periods. Only pre-heat the oven just before use.

Do not leave the appliance unattended while in operation.

In the event of an appliance fault or malfunction, shut the gas shut-off valve and/or switch the appliance off at the main switch installed upline.

Clean the appliance following the instructions given in Chapter “ INSTRUCTIONS FOR CLEANING “.



DO NOT STORE " AMMABLE MATERIALS IN CLOSE PROXIMITY TO THE APPLIANCE. FIRE HAZARD.

Do not obstruct any air vents or drains present on the appliance.

Do not tamper with appliance components.

Keep this manual in a safe place, known to all users, so that it can be consulted throughout the working life of the appliance.

Installation and appliance maintenance must be carried out by qualified technicians authorized by the manufacturer, in compliance with current safety standards and the instructions in this manual.

Appliance maintenance and conversion to a different type of gas must be carried out by qualified technicians authorized by the manufacturer, in compliance with current safety standards and the instructions in this manual.

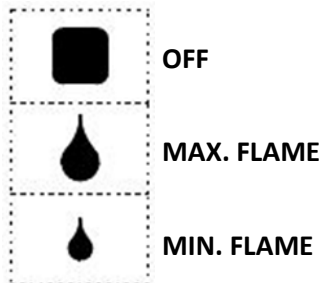
11. USING THE GAS HOB

The appliance is designed for cooking foods contained in pots and pans.

Check that the flame spreaders are correctly placed on the burners.

BURNER IGNITION AND EXTINCTION

The gas tap control knob has the following positions:



MAIN BURNER IGNITION

To switch on the pilot burner rotate the knob from the “off” position to the “maximum flame” position

For the minimum flame, turn the knob from “max. flame” to “min. flame”.

TURNING OFF

to switch off the main burner turn the knob to the “off” position.

12. USING THE HOTPLATE/SIMPLE SERVICE

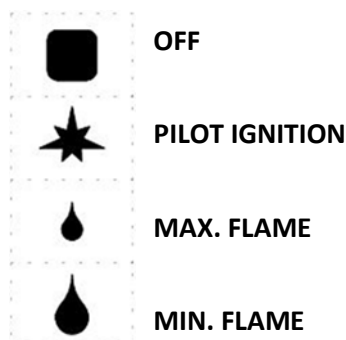
The appliance is designed for cooking foods contained in pots and pans.

The highest temperatures are in the centre of the hotplate.

Check that the flame spreader is correctly placed on the burner. Raise the central disc on the hotplate.

BURNER IGNITION AND EXTINCTION

The gas tap control knob has the following positions:



PILOT IGNITION

Press and turn knob to “pilot on”.

Press the knob down fully and light the pilot using the piezoelectric igniter.

Hold the knob down for about 20 seconds before releasing it. If the pilot flame goes out, repeat the operation.

The pilot flame can be seen through the peep hole on the control panel.

The pilot light can be lit by bringing an open flame up to the nozzle. Raise the central disc on the hotplate.

MAIN BURNER IGNITION

To light the main burner, turn the knob from “pilot on” to “max. flame”.

For the minimum flame, turn the knob from “max. flame” to “min. flame”.

TURNING OFF

Turn the knob from “max. flame” or “min. flame” to “pilot on”.

To shut off the pilot, press the knob lightly and turn it to “off”.

13. GAS OVEN 600 SERIES USE

The appliance is designed for cooking foods placed on the grilles provided.

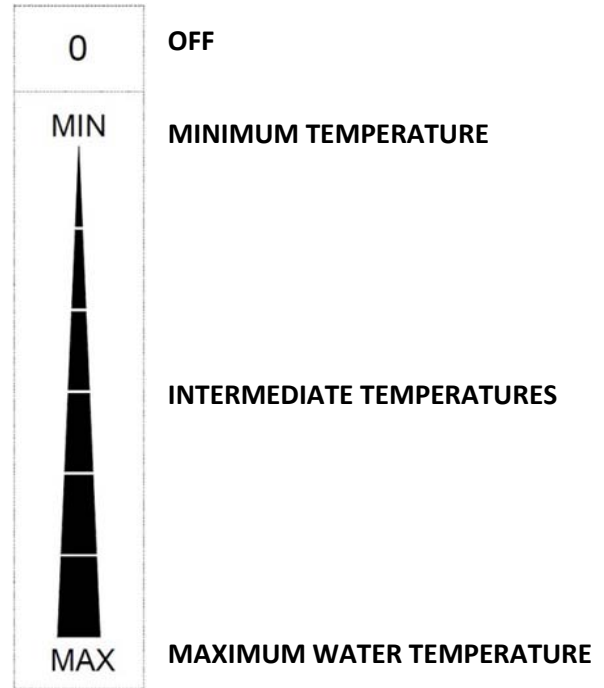
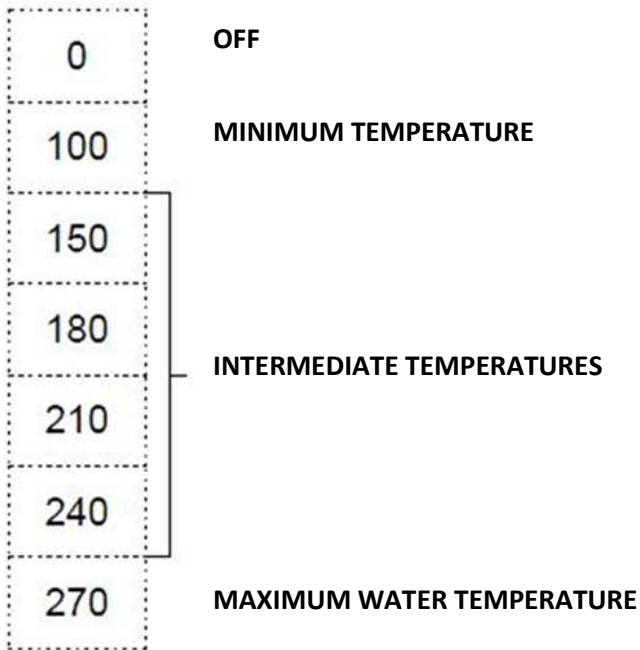
Do not leave the door even partially open during use.



ATTENTION: WHEN THE OVEN GAS MODE IS ON THE GRILL DOESN'T WORK

BURNER IGNITION AND EXTINCTION

The thermostat control knob has the following positions:



MAIN BURNER IGNITION

Turn the knob to the chosen temperature setting for cooking.

Press the knob for 5-10 seconds. The burner is turned on electrically.

If the burner doesn't turn on, open the oven door for 1 minute and repeat the operation.

TURNING OFF

to switch off the main burner turn the knob to the "off" position.

ELECTRIC GRILL SWITCH ON/OFF

The energy regulator control knob has the following positions:

ELECTRIC GRILL SWITCH ON

Turn the energy regulator knob to any position between "MIN" and "MAX".

The yellow and the internal oven indicator lamps turn on.

TURNING OFF

Turn the energy regulator knob to position " Off " .

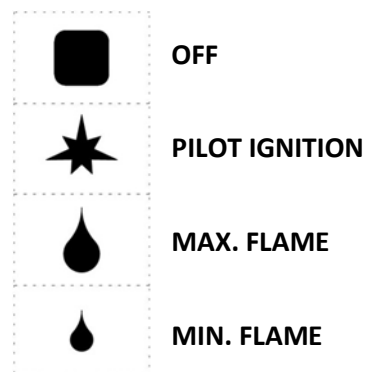
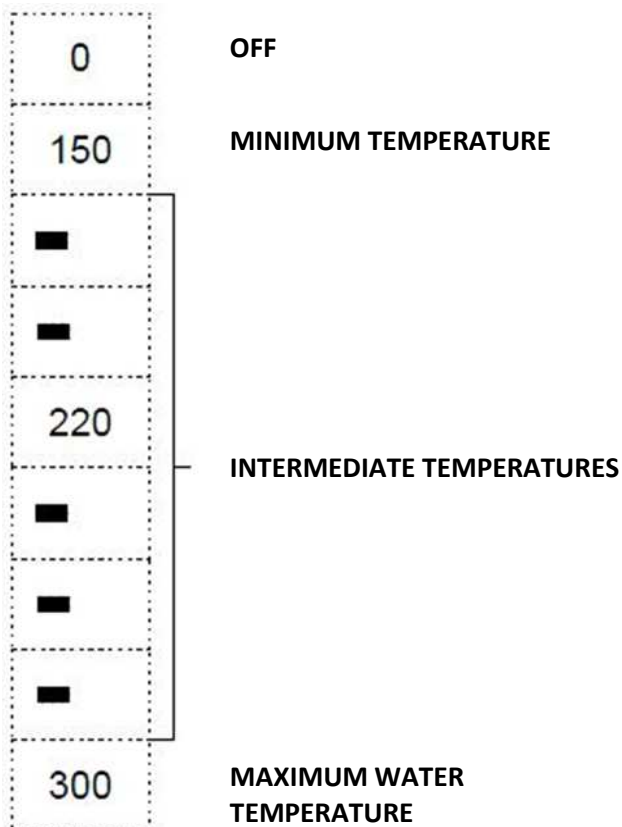
14. GAS OVEN 650 SERIES USE

The appliance is designed for cooking foods placed on the grilles provided.

Do not leave the door even partially open during use.

BURNER IGNITION AND EXTINCTION

the control knob of the thermostatic tap has the following positions use:



MAIN BURNER IGNITION

Turn the knob to the chosen temperature setting for cooking.

Press the knob down simultaneously with the piezoelectric unit. Press the knob down for 10-15 seconds and then leave it; the pilot burner will remain on.

If it turns off, repeat the operation.

TURNING OFF

to switch off the main burner turn the knob to the "off" position.

15. GAS STOCKPOT STOVE USE

The appliance is designed for cooking foods contained in pots and pans.

Check that the flame spreaders are correctly placed on the burners.

BURNER IGNITION AND EXTINGUISHION

The gas tap control knob has the following positions:

PILOT IGNITION

Press and turn knob to "pilot on".

Press the knob down fully and light the pilot with a flame.

Hold the knob down for about 20 seconds before releasing it. If the pilot flame goes out, repeat the operation.

MAIN BURNER IGNITION

To light the main burner, turn the knob from "pilot on" to "max. flame".

For the minimum flame, turn the knob from "max. flame" to "min. flame".

TURNING OFF

Turn the knob from "max. flame" or "min. flame" to "pilot on".

To shut off the pilot, press the knob lightly and turn it to "off".

16. ELECTRIC COOK TOP/ELECTRIC STOCKPOT STOVE USE

The appliance is designed for cooking foods contained in pots and pans.

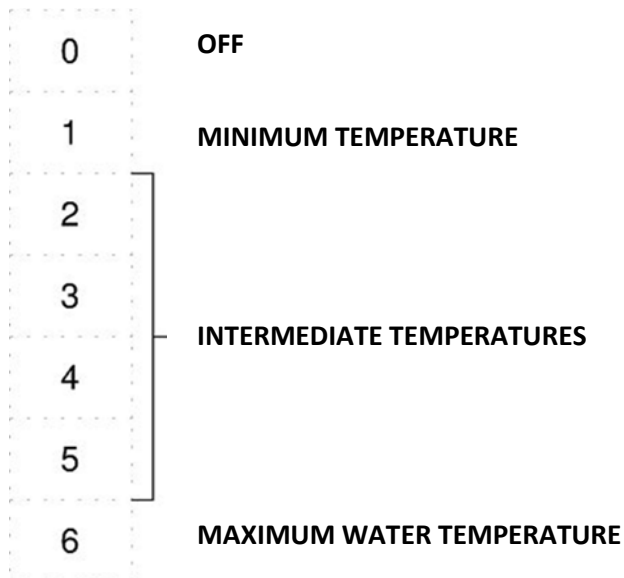
Use flat bottomed pans.

Do not leave the hotplates switched on with no pan or an empty pan in place.

Do not pour cold liquids onto the hot hotplate.

SWITCHING ON AND OFF

The control knob has the following positions:



SWITCHING ON

Turn the control knob to the chosen position.
The green indicator light switches on.
Lighting up of green indicator "A" signals that the corresponding hot-plate is on.

TURNING OFF

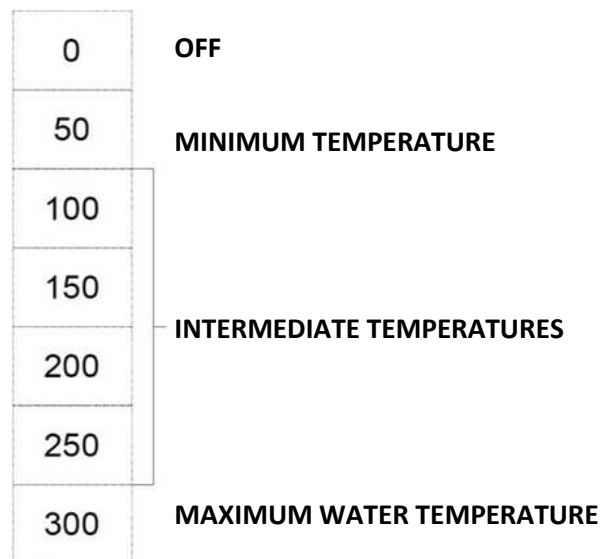
Turn the knob to position " 0 ".
The green indicator light switches off.

17. ELECTRIC CONVECTION OVEN USE

The appliance is designed for cooking foods placed on the grilles provided.
Do not leave the door even partially open during use.
The appliance is equipped with a manual reset safety thermostat that interrupts heating when the operating temperature exceeds the maximum permitted value.

SWITCHING ON AND OFF

The thermostat control knob has the following positions:



SWITCHING ON

Turn the thermostat knob to the chosen temperature setting for cooking.
the yellow and the green indicator lamp turn on.
The yellow indicator light switches off when the oven reaches the set temperature.
the green lamp indicate that the appliance is under voltage

TURNING OFF

Turn the thermostat knob to position " 0 ".
the yellow and the green indicator lamp turn off.

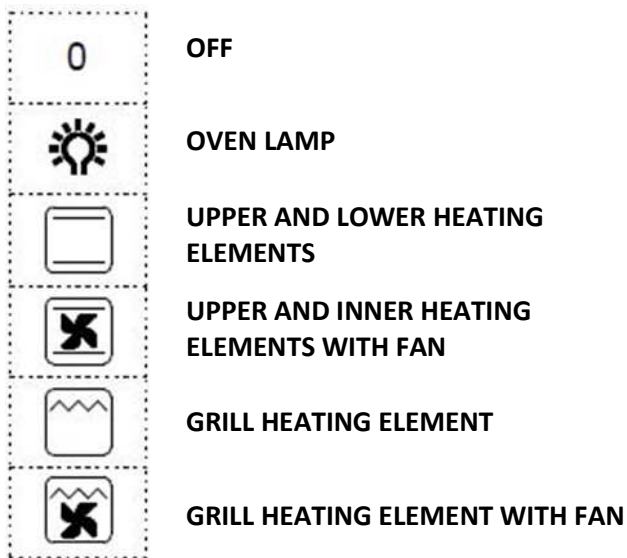
18. ELECTRIC MULTIFUNCTION OVEN (600 SERIES) USE

The appliance is designed for cooking foods placed on the grilles provided.
Do not leave the door even partially open during use.
The appliance is equipped with a manual reset safety thermostat that interrupts heating when the operating temperature exceeds the maximum permitted value.

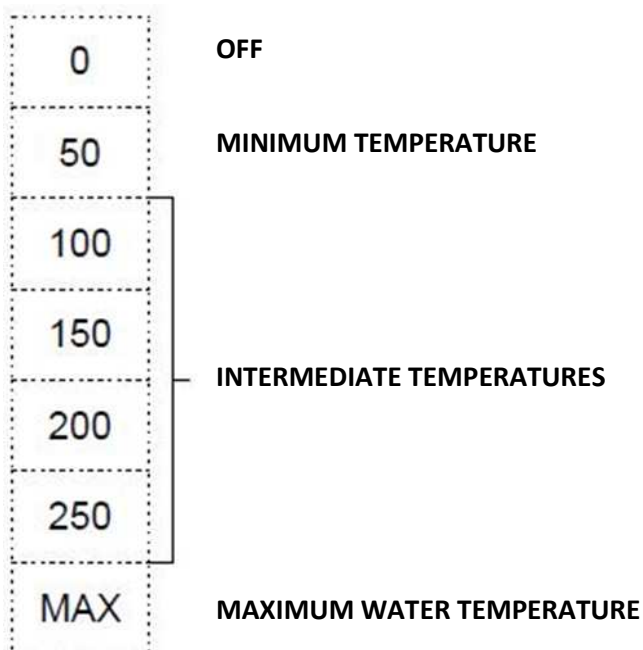
SWITCHING ON AND OFF

The electric oven is controlled by two knobs (for selecting the type of heating and the cooking temperature). A yellow indicator light indicates operation of the heating elements.

The control knob has the following positions:



The thermostat control knob has the following positions:



SWITCHING ON

Turn the control knob to the chosen position.

Turn the thermostat knob to the chosen temperature setting for cooking.

the yellow and the green indicator lamp turn on.

The yellow indicator light switches off when the oven reaches the set temperature.

the green lamp indicate that the appliance is

under voltage

TURNING OFF

Turn the thermostat knob to position " 0 " .

Turn the knob to position " 0 " .

19. PROLONGED DISUSE

Before any prolonged disuse of the appliance, proceed as follows:

- Clean the appliance thoroughly.
- Rub stainless steel surfaces with a cloth soaked in vaseline oil to create a protective film.
- Leave pot lids open.
- Close cocks or main switches ahead of the appliances.

Following prolonged disuse, proceed as follows:

- Inspect the appliance thoroughly before using it again.
- Allow electric appliances to operate at the lowest temperature for at least 60 minutes.

IV. INSTRUCTIONS FOR CLEANING

20. REMINDERS FOR CLEANING



READ THIS MANUAL CAREFULLY. IT PROVIDES IMPORTANT INFORMATION FOR SAFE INSTALLATION, USE AND MAINTENANCE OF THE APPLIANCE. THE MANUFACTURER WILL NOT BE LIABLE FOR ANY DAMAGE OR INJURY RESULTING FROM FAILURE TO OBSERVING THE FOLLOWING RULES. DISCONNECT THE APPLIANCE ELECTRIC SUPPLY, IF PRESENT, BEFORE CARRYING OUT ANY OPERATION.



Clean the satin finish stainless steel exterior surfaces, the cooking wells and the surface of the hotplates every day.

At least twice a year, have an authorized technician clean the internal parts of the appliance.

Do not use corrosive products to clean the floor beneath the appliance.

Do not use direct or high pressure water jets to clean the appliance.

SATIN FINISH STAINLESS STEEL SURFACES

Clean the surfaces with a cloth or sponge using water and proprietary non-abrasive detergents. Follow the direction of the satin finish lines. Rinse repeatedly and dry thoroughly.

Do not use pan scourers or other iron items.

Do not use chemical products containing chlorine.

Do not use sharp objects which might scratch and damage the surfaces.

ELECTRIC HOTPLATES

Clean surfaces with a damp cloth.

Switch on for a few minutes to dry rapidly.

Lubricate surfaces with a fine coat of food grade oil.

HOTPLATE RANGE

Clean surfaces with a damp cloth.

Switch on for a few minutes to dry rapidly.

Lubricate surfaces with a fine coat of food grade oil.

v. INSTRUCTIONS FOR MAINTENANCE

21. REMINDERS FOR THE MAINTENANCE TECHNICIAN



THE MANUFACTURER WILL NOT BE LIABLE FOR ANY DAMAGE OR INJURY RESULTING FROM FAILURE TO OBSERVING THE FOLLOWING RULES.

Identify the specific appliance model. The model number is detailed on the packing and on the appliance dataplate.

The appliance must be installed in a well-ventilated room.

Do not obstruct any air vents or drains present on the appliance.

Do not tamper with appliance components.

Appliance maintenance and conversion to a different type of gas must be carried out by qualified technicians authorized by the manufacturer, in compliance with current safety standards and the instructions in this manual.

22. CONVERSION TO ANOTHER TYPE OF GAS

See Chapter “ Instructions for installation “.

23. COMMISSIONING

See Chapter “ Instructions for installation “.

24. TROUBLESHOOTING

GAS HOB

THE MAIN BURNER DOESN'T TURN ON

Possible causes:

- Insufficient gas supply pressure.
- Blocked tubing or nozzle.
- Defective gas tap or valve.
- Defective burner (gas outlet holes clogged).

GAS SOLID TOP RANGES

THE PILOT BURNER DOES NOT LIGHT.

Possible causes:

- Insufficient gas supply pressure.
- Blocked tubing or nozzle.
- Defective gas tap or valve.
- Igniter defective or not properly connected.
- Igniter or igniter wire defective.

PILOT BURNER GOES OUT DURING USE.

Possible causes:

- Insufficient gas supply pressure.
- Defective gas tap or valve.
- Defective thermocouple or insufficient heating.
- Thermocouple incorrectly connected to gas tap or valve.
- Knob of gas tap or valve not pressed sufficiently.

THE MAIN BURNER DOES NOT LIGHT (EVEN THOUGH PILOT IS LIT).

Possible causes:

- Insufficient gas supply pressure.
- Blocked tubing or nozzle.
- Defective gas tap or valve.
- Defective burner (gas outlet holes clogged).

GAS OVEN

THE MAIN BURNER DOESN'T TURN ON

Possible causes:

- Insufficient gas supply pressure.
- Blocked tubing or nozzle.
- Defective gas tap or valve.
- Defective burner (gas outlet holes clogged).

HEATING CANNOT BE ADJUSTED.

Possible causes:

- Defective gas tap

GAS STOCKPOT STOVE

THE PILOT BURNER DOES NOT LIGHT.

Possible causes:

- Insufficient gas supply pressure.
- Blocked tubing or nozzle.
- Defective gas tap or valve.
- Igniter defective or not properly connected.
- Igniter or igniter wire defective.

PILOT BURNER GOES OUT DURING USE.

Possible causes:

- Insufficient gas supply pressure.
- Defective gas tap or valve.
- Defective thermocouple or insufficient heating.
- Thermocouple incorrectly connected to gas tap or valve.
- Knob of gas tap or valve not pressed sufficiently.

THE MAIN BURNER DOES NOT LIGHT (EVEN THOUGH PILOT IS LIT).

Possible causes:

- Insufficient gas supply pressure.
- Blocked tubing or nozzle.
- Defective gas tap or valve.
- Defective burner (gas outlet holes clogged).

ELECTRIC COOK TOP/ELECTRIC STOCKPOT STOVE

THE HOTPLATE DOES NOT HEAT.

Possible causes:

- Hotplate defective.

ELECTRIC OVEN

THE APPLIANCE DOES NOT HEAT.

Possible causes:

- Temperature thermostat defective.
- Heating elements defective.
- Safety thermostat tripped.

HEATING CANNOT BE ADJUSTED.

Possible causes:

- Temperature thermostat defective.

25. REPLACING COMPONENTS

REMINDERS FOR REPLACING COMPONENTS



SHUT THE GAS SHUT-OFF VALVE AND/OR SWITCH THE APPLIANCE OFF AT THE MAIN SWITCH INSTALLED UPSTREAM.



AFTER REPLACING A GAS SYSTEM COMPONENT, CHECK FOR GAS LEAKS AT CONNECTION POINTS.



DISCONNECT THE APPLIANCE ELECTRIC SUPPLY, IF PRESENT, BEFORE CARRYING OUT ANY OPERATION.



AFTER REPLACING AN ELECTRICAL SYSTEM COMPONENT, CHECK IT IS CORRECTLY WIRED.

GAS HOB

REPLACING THE GAS TAP.

- Remove the control panel.
- Remove and replace the component.
- Reassemble all parts. For assembly, proceed in reverse order.

GAS SOLID TOP RANGES

REPLACING THE GAS TAP AND PIEZO IGNITER.

- Remove the control panel.
- Remove and replace the component.
- Reassemble all parts. For assembly, proceed in reverse order.

REPLACING THE MAIN BURNER, PILOT BURNER, THERMOCOUPLE AND IGNITER.

- Remove the hotplate.
- Remove the control panel and internal guards.
- Remove and replace the component.
- Reassemble all parts. For assembly, proceed in reverse order.

GAS OVEN

THERMOSTATIC TAP AND PIEZOELECTRIC UNIT REPLACEMENT

- Remove the control panel.
- Remove the bulb from its seat on the side of the oven.
- Remove and replace the component.
- Reassemble all parts. For assembly, proceed in reverse order.

REPLACING THE BURNER

- Open the oven door.
- Remove the floor and the plate positioned on top of the burner.
- Remove and replace the component.
- Reassemble all parts. For assembly, proceed in reverse order.

REPLACING THE THERMOCOUPLE

- Remove the control panel.
- Open the oven door.
- Remove the floor and the plate positioned on top of the burner.
- Remove and replace the component.
- Reassemble all parts. For assembly, proceed in reverse order.

GAS STOCKPOT STOVE

REPLACING THE GAS TAP.

- Remove the control panel.
- Remove and replace the component.
- Reassemble all parts. For assembly, proceed in reverse order.

REPLACING THE MAIN BURNER, PILOT BURNER, THERMOCOUPLE AND IGNITER.

- Remove the control panel.
- Remove and replace the component.
- Reassemble all parts. For assembly, proceed in reverse order.

ELECTRIC COOK TOP/ELECTRIC STOCKPOT STOVE

REPLACING THE KNOB AND INDICATOR LIGHT

- Remove the control panel.
- Remove and replace the component.
- Reassemble all parts. For assembly, proceed in reverse order.

REPLACING THE HOTPLATE.

- Remove the control panel and internal guards.
- Remove and replace the component. Screw spacer M8 taken from the old part onto the new one.
- Reassemble all parts. For assembly, proceed in reverse order.

ELECTRIC OVEN

REPLACING THE KNOB AND INDICATOR LIGHT

- Remove the control panel.
- Remove and replace the component.
- Reassemble all parts. For assembly, proceed in reverse order.

REPLACING THE WORKING THERMOSTAT AND SAFETY THERMOSTAT

- Remove the control panel.
- Remove the bulb from its seat on the side of the oven.
- Remove and replace the component.
- Reassemble all parts. For assembly, proceed in reverse order.

REPLACING THE HEATING ELEMENT

- Remove the oven floor (only for lower heating elements).
- Undo the screw securing the element to the oven and pull the element out by approx. 10 cm.
- Reassemble all parts. For assembly, proceed in reverse order.

26. CLEANING THE INTERIOR

Check the condition of the inside of the appliance.
Remove any built-up dirt.
Check and clean the fumes exhaust system.

27. MAIN COMPONENTS

GAS HOB

- GAS COCK
- MAIN BURNER
- Pilot burner
- Thermocouple

GAS SOLID TOP RANGES

- GAS COCK
- MAIN BURNER
- Pilot burner
- Thermocouple
- Igniter
- Piezoelectric ignition

GAS OVEN

- GAS COCK
- MAIN BURNER
- Pilot burner
- Thermocouple
- Igniter
- Piezoelectric ignition

GAS STOCKPOT STOVE

GAS COCK
MAIN BURNER
Pilot burner
Thermocouple
Igniter

ELECTRIC HOB

- Control knob
- Hotplate
- Indicator light

ELECTRIC OVEN

- Control knob
- Working thermostat
- Safety thermostat
- Heating element
- Indicator light

FR - INSTALLATION – EMPLOI - ENTRETIEN

I. AVERTISSEMENTS GÉNÉRAUX



LIRE ATTENTIVEMENT CE MANUEL. IL DONNE DES INFORMATIONS IMPORTANTES POUR L'INSTALLATION, L'UTILISATION ET L'ENTRETIEN DE L'APPAREIL EN TOUTE SÉCURITÉ.



LE DÉFAUT DE SE CONFORMER À CE QUI EST PRÉSENTÉ CI DESSOUS PEUT COMPROMETTRE LA SÉCURITÉ DE L'ÉQUIPEMENT.



LE FABRICANT DE L'APPAREIL DÉCLINE TOUTE RESPONSABILITÉ EN CAS DE DOMMAGES DÛS AU NON RESPECT DES CONSIGNES CI DESSOUS.



TRADUCTION DES INSTRUCTIONS D'ORIGINE.



LES ÉQUIPEMENTS ONT BESOIN DE QUELQUES PRÉCAUTIONS POUR L'INSTALLATION, LE POSITIONNEMENT ET/OU LE FIXAGE ET LE BRANCHEMENT ÉLECTRIQUE. VOIR SECTION "INSTRUCTIONS POUR L'INSTALLATION".



LES ÉQUIPEMENTS ONT BESOIN DE PRÉCAUTIONS POUR LE NETTOYAGE. VOIR SECTION "INSTRUCTION POUR LE NETTOYAGE".



LE SYMBOLE "HAUTE TENSION" EST PLACÉ SUR UN PANNEAU QUI DONNE ACCÈS À UNE PARTIE AVEC HAUTE VOLTAGE.

Conserver ce manuel dans un endroit sûr et connu afin de pouvoir le consulter pendant toute la durée de vie utile de l'appareil.

Cet appareil est conçu pour la cuisson d'aliments. Il est destiné à un usage industriel. Toute autre utilisation est réputée impropre.

Cet appareil n'est pas approprié à l'emploi de la part de personnes (y compris les enfants) avec capacités physiques, sensorielles ou mentales, réduites ou sans expérience ni connaissance.

A moins qu'une personne responsable de leur sécurité ne les surveille ou les instruit au sujet de l'utilisation de l'appareil.

Éviter de laisser le dispositif sans surveillance en présence d'enfants et s'assurer qu'ils ne l'utilisent pas ou qu'ils ne jouent avec.

Le personnel devant utiliser l'appareil doit avoir suivi une formation spéciale. Surveiller l'appareil pendant son fonctionnement.



NE PAS STOCKER DE SUBSTANCES INFLAMMABLES À PROXIMITÉ DE L'APPAREIL. DANGER D'INCENDIE.

Installer l'appareil seulement dans des locaux suffisamment aérés.

Toujours installer l'appareil dans un local aéré. Une mauvaise aération peut être la cause d'asphyxies. Ne pas obstruer le système d'aération du local où cet appareil est installé. Ne pas obstruer les bouches d'aération et d'évacuation de cet appareil ou d'autres appareils.

En cas de panne ou de dysfonctionnement de l'appareil, fermer le robinet d'arrêt du gaz et/ou désactiver l'interrupteur général d'alimentation électrique installés en amont de l'appareil.

L'installation et la conversion à un autre type de gaz doivent être effectués par des installateurs qualifiés et agréés par le fabricant, conformément aux normes de sécurité en vigueur et aux consignes données dans ce manuel.

L'entretien et la conversion à un autre type de gaz de l'appareil doivent être effectués par des installateurs qualifiés et agréés par le fabricant, conformément aux normes de sécurité en vigueur et aux consignes données dans ce manuel.

Effectuer le nettoyage conformément aux instructions données dans le Chapitre " INSTRUCTIONS POUR LE NETTOYAGE ".

1. ÉLIMINATION DE L'EMBALLAGE ET DE L'APPAREIL

EMBALLAGE

L'emballage est réalisé dans des matériaux compatibles avec l'environnement. Les éléments en matière plastique recyclables sont:

- la couverture transparente, les sachets du manuel d'instructions et des injecteurs (en polyéthylène - PE).
- les feuillets (en polypropylène - PP).

APPAREIL

L'appareil est réalisé à plus de % dans des matériaux métalliques recyclables (acier inox, tôle aluminée, cuivre, etc.).

L'appareil doit être mis au rebut conformément à la réglementation en vigueur.

Le rendre inutilisable avant son élimination.

Ne pas le jeter dans la nature.



LE SYMBOLE DE LA POUBELLE BARRÉE REPORTÉ SUR L'APPAREIL ET LA BOÎTE INDIQUE QUE LE PRODUIT À LA FIN DE SA PROPRE VIE UTILE DOIT ÊTRE RAMASSÉ SÉPARÉMENT DES AUTRES DÉCHETS.

LA COLLECTE DIFFÉRENCIÉE DE CET APPAREIL AYANT ATTEINT LA FIN DE SA VIE EST ORGANISÉE ET GÉRÉE PAR LE FABRICANT.

LE CLIENT SOUHAITANT SE DÉFAIRE DE CET APPAREIL DEVRA DONC CONTACTER LE FABRICANT ET SUIVRE LA PROCÉDURE QUE CE DERNIER A ADOPTÉE AFIN DE PERMETTRE LA COLLECTE SÉPARÉE DE L'APPAREIL ARRIVÉ EN FIN DE VIE.

UNE COLLECTE ET UN TRI DES DÉCHETS CONTRIBUE À ÉVITER LES POSSIBLES EFFETS NÉGATIFS SUR L'ENVIRONNEMENT ET SUR LA SANTÉ ET FAVORISE LA RÉUTILISATION ET/OU LE RECYCLAGE DES MATÉRIAUX DONT EST COMPOSÉ L'APPAREIL.

L'ÉLIMINATION ABUSIVE DU PRODUIT DE LA PART DU PROPRIÉTAIRE COMPORTE L'APPLICATION DES SANCTIONS ADMINISTRATIVES PRÉVUES PAR LES NORMES EN VIGUEUR.

2. DISPOSITIFS DE SÉCURITÉ

FOUR ÉLECTRIQUE

THERMOSTAT DE SÉCURITÉ



LE FABRICANT DE L'APPAREIL DÉCLINE TOUTE RESPONSABILITÉ EN CAS DE DOMMAGES DÛS AU NON RESPECT DES CONSIGNES CI DESSOUS.

Un thermostat de sécurité à rétablissement manuel qui coupe le chauffage lorsque la température de service dépasse celle maximum admise est monté dans l'appareil.

Pour rétablir le fonctionnement de l'appareil, il faut enlever le panneau de commandes et appuyer sur le bouton de rétablissement du thermostat. Cette opération peut être effectuée uniquement par un technicien qualifié et agréé.

II. INSTRUCTIONS POUR L'INSTALLATION

3. AVERTISSEMENTS POUR L'INSTALLATEUR



LIRE ATTENTIVEMENT CE MANUEL. IL DONNE DES INFORMATIONS IMPORTANTES POUR L'INSTALLATION, L'UTILISATION ET L'ENTRETIEN DE L'APPAREIL EN TOUTE SÉCURITÉ. LE DÉFAUT DE SE CONFORMER À CE QUI EST PRÉSENTÉ CI DESSOUS PEUT COMPROMETTRE LA SÉCURITÉ DE L'ÉQUIPEMENT.



LE FABRICANT DE L'APPAREIL DÉCLINE TOUTE RESPONSABILITÉ EN CAS DE DOMMAGES DÛS AU NON RESPECT DES CONSIGNES CI DESSOUS.

Repérer le modèle d'appareil. Le modèle est indiqué sur l'emballage et la plaque signalétique de l'appareil.

Installer l'appareil seulement dans des locaux suffisamment aérés.

L'installation et la conversion à un autre type de gaz doivent être effectués par des installateurs qualifiés et agréés par le fabricant, conformément aux normes de sécurité en vigueur et aux consignes données dans ce manuel.

L'entretien et la conversion à un autre type de gaz de l'appareil doivent être effectués par des installateurs qualifiés et agréés par le fabricant, conformément aux normes de sécurité en vigueur et aux consignes données dans ce manuel.

Ne pas obstruer les orifices d'aération et d'évacuation de l'appareil.

Ne pas manipuler les pièces de l'appareil.

4. NORMES ET TEXTES DE LOI DE RÉFÉRENCE

Installer le appareils en conformité avec les normes de sécurité en vigueur dans le pays.

5. DÉBALLAGE

Contrôler l'état de l'emballage et demander au transporteur d'inspecter la marchandise en cas de dommages évidents.

Enlever l'emballage.

Enlever la pellicule protégeant les panneaux extérieurs. Éliminer les éventuels résidus de colle avec un solvant adapté.

6. MISE EN PLACE

Les dimensions de l'appareil et la position des raccordements sont indiquées dans le schéma d'installation figurant à la fin de ce manuel.

L'appareil peut être installé seul ou avec d'autres appareils de la même gamme.

Cet appareil ne peut pas être encastré.

Installer l'appareil à une distance de 10 cm minimum des murs.

Si l'équipement doit être mis près de murs, séparations, éléments décoratives, etc. ceux-ci doivent être faits en matériaux incombustibles

Dans le cas contraire ils doivent être couverts avec matériaux thermo-isolants incombustibles ;

Mettre l'appareil d'aplomb à l'aide des pieds réglables.

MONTEGE DE L'APPAREIL SUR UN SOCLE EN PONT

Suivre les instructions données avec le type de support utilisé.

SYSTÈME D'ÉVACUATION DES FUMÉES

Prévoir un système d'évacuation des fumées conformément au " Type " d'appareil. Le " Type " est indiqué sur la plaque signalétique de l'appareil.

APPAREIL DE TYPE " A1 "

Mettre les appareils de type "A1" sous une hotte aspirante pour assurer l'évacuation des fumées et des vapeurs de cuisson.

APPAREIL DE TYPE " B21 "

Installer l'appareil de type "B21" sous une hotte aspirante.

APPAREIL DE TYPE " B11 "

Monter le conduit de cheminée à demander au fabricant sur l'appareil de type "B11". Suivre les instructions de montage jointes au conduit de cheminée.

Raccorder au conduit de cheminée un tuyau d'un diamètre de 150/155 mm, résistant à une température de 300°C.

Poursuivre vers l'extérieur ou dans un conduit de cheminée effi cace. La longueur du tuyau ne doit pas dépasser 3 mètres.

7. RACCORDEMENTS

La position et la dimension des raccordements sont précisées sur le schéma d'installation figurant à la fin de ce manuel.

RACCORDEMENTE À LA CONDUITE DE GAZ

Vérifier si l'appareil est prévu pour le type de gaz qui l'alimentera. Contrôler les indications sur les talons figurant sur l'emballage et sur l'appareil.

Si nécessaire, adapter l'appareil au type de gaz utilisé. Suivre les instructions du Paragraphe "Adaptation à un autre type de gaz".

Sur les appareils hauts, un raccordement à l'arrière est disponible. Dévisser le bouchon et le visser de façon étanche sur le raccordement avant.

Installer un robinet d'arrêt à fermeture rapide en amont de l'appareil, dans un endroit facilement accessible.

Ne pas utiliser de tuyaux de raccordement d'un diamètre inférieur à celui du raccordement de gaz

de l'appareil.

Après le raccordement, vérifier qu'il n'y ait pas de fuites au niveau du raccordement.

BRANCHEMENT ÉLECTRIQUE

Vérifier si l'appareil est prévu pour fonctionner à la tension et à la fréquence auxquelles il sera alimenté. Contrôler la plaque signalétique placée sur l'appareil et placée à côté de la borne.

Installé en amont de l'appareil dans un endroit facilement accessible, tous les pôles dispositif de déconnexion avec une distance d'ouverture des contacts qui permet une déconnexion complète dans les conditions de la catégorie de surtension III.

Utiliser un cordon d'alimentation flexible avec gaine isolante en caoutchouc ayant des caractéristiques au moins égales au type H05 RN-F.

Relier le cordon d'alimentation à la plaque à bornes selon les indications du schéma électrique remis avec l'appareil.

Bloquer le cordon d'alimentation avec le presse-étoupe.

Protéger le cordon d'alimentation à l'extérieur de l'appareil avec un conduit en métal ou en plastique rigide.


Si le câble d'alimentation est endommagé, il doit être remplacé pour le fabricant ou pour son service d'assistance ou pour une personne avec qualification similaire, afin de prévenir tous risques.




LE SYMBOLE "HAUTE TENSION" EST PLACÉ SUR UN PANNEAU QUI DONNE ACCÈS À UNE PARTIE AVEC HAUTE VOLTAGE.

MISE À LA TERRE ET NOUÉD EQUIPOTENTIEL

Brancher l'appareil sous tension à une prise de terre efficace. Relier le conducteur de terre à la

borne portant le symbole  situé à côté de la plaque à bornes d'arrivée de la ligne.

Relier la structure métallique de l'appareil sous tension à un noeud équipotentiel. Relier le conducteur à la borne portant le symbole  situé sur la partie extérieure du fond.

RACCORDEMENT AU RÉSEAU HYDRIQUE

Alimenter l'appareil avec de l'eau potable. La pression d'alimentation de l'eau doit être de 150 kPa à 300 kPa. Utiliser un réducteur si la pression d'alimentation est supérieure à celle maximale indiquée.

Installer un filtre mécanique et un robinet d'arrêt en amont de l'appareil, dans un endroit facilement accessible.

Éliminer les éventuels dépôts ferreux des tuyaux de raccordement avant de raccorder le filtre et l'appareil.

Fermer les raccords n'étant pas reliés avec un bouchon étanche.

Après le raccordement, vérifier qu'il n'y ait pas de fuites au niveau du raccordement.

RACCORDEMENT À L'ÉVACUATION DES EAUX USÉES

Les conduits d'évacuation doivent être réalisés dans des matériaux résistant à une température de 100 °C. La vapeur dégagée par l'évacuation d'eau chaude ne doit pas entrer en contact avec le fond de l'appareil.

Prévoir un puisard siphonné et grillagé sous le robinet d'évacuation des eaux des casseroles et en face des braisières.



8. ADAPTATION À UN AUTRE TYPE DE GAZ

Le tableau Tab1 indique:

- les gaz pouvant être utilisés pour le fonctionnement de l'appareil.
- les injecteurs et les réglages pour chaque gaz pouvant être utilisé.

Pour les injecteurs, le nombre indiqué dans le tableau TAB1 est estampillé sur le corps de l'injecteur.

Pour adapter l'appareil au type de gaz qui l'alimentera, suivre les instructions du tableau TAB1 et effectuer les opérations ci dessous:

- Remplacer l'injecteur du brûleur principal (UM).
- Placer l'aérateur du brûleur principal à la distance A.
- Remplacer l'injecteur de la veilleuse (UP).
- Régler l'air de la veilleuse (si nécessaire).
- Remplacer la veilleuse du minimum du robinet de gaz (Um).
- Apposer la plaquette adhésive indiquant le nouveau type de gaz utilisé sur l'appareil.

- Les injecteurs et les plaquettes adhésives sont livrés avec l'appareil.

PLAN DE CUISSON AU GAZ

REPLACEMENT DE L'INJECTEUR DU BRÛLEUR PRINCIPAL

Démonter le panneau de commandes.
Lever les grilles support de casseroles, les bassins et les brûleurs
Démonter l'injecteur UM et le remplacer par celui indiqué dans le tableau TAB1.
Revisser à fond l'injecteur UM.
Remonter toutes les pièces. Effectuer dans l'ordre inverse les opérations de démontage.

REPLACEMENT DE LA VIS DU MINIMUM

Démonter le panneau de commandes.
Démonter l'injecteur UM et le remplacer par celui indiqué dans le tableau TAB1.
Revisser à fond l'injecteur UM.
Remonter toutes les pièces. Effectuer dans l'ordre inverse les opérations de démontage.

PLAQUE COUP-DE-FEU À GAZ

REPLACEMENT DE LA BUSE ET LE RÉGLAGE DE L'AIR PRIMAIRE DU BRÛLEUR PRINCIPAL,

Démonter le panneau de commandes.
Démonter l'injecteur UM et le remplacer par celui indiqué dans le tableau TAB1.
Revisser à fond l'injecteur UM.
Desserrer la vis V et placer l'aérateur à la distance A indiquée dans le tableau TAB1.
Revisser à fond la vis V.
Remonter toutes les pièces. Effectuer dans l'ordre inverse les opérations de démontage.

REPLACEMENT DE LA VIS DU MINIMUM

Démonter le panneau de commandes.
Démonter l'injecteur UM et le remplacer par celui indiqué dans le tableau TAB1.
Revisser à fond l'injecteur UM.
Remonter toutes les pièces. Effectuer dans l'ordre inverse les opérations de démontage.

REPLACEMENT DE L'INJECTEUR DE LA

VEILLEUSE

Démonter le panneau de commandes et les protections internes.
Dévisser le raccord R.
Démonter l'injecteur UP et le remplacer par celui indiqué dans le tableau TAB1.
Revisser à fond le raccord R. Remonter toutes les pièces.
Après, dans l'ordre inverse, la séquence utilisée pour leur élimination.

FOUR À GAZ

REPLACEMENT DE LA BUSE ET LE RÉGLAGE DE L'AIR PRIMAIRE DU BRÛLEUR PRINCIPAL,

Ouvrez la porte du four.
Lever la sole du four et le panneau de protection
Desserrer la vis V.
Lever le bouton poussoir piézoélectrique UM
Revisser à fond l'injecteur UM.
Positionner la coquille de régulation de l'aération a la distance indiqué dans le tableau TAB1
Revisser à fond la vis V.
Remonter toutes les pièces. Effectuer dans l'ordre inverse les opérations de démontage.

REPLACEMENT DE LA VIS DU MINIMUM

Démonter le panneau de commandes.
Démonter l'injecteur UM et le remplacer par celui indiqué dans le tableau TAB1.
Revisser à fond l'injecteur UM.
Remonter toutes les pièces. Effectuer dans l'ordre inverse les opérations de démontage.

RECHAUD GAZ

REPLACEMENT DE LA BUSE ET LE RÉGLAGE DE L'AIR PRIMAIRE DU BRÛLEUR PRINCIPAL,

Démonter le panneau de commandes.
Démonter l'injecteur UM et le remplacer par celui indiqué dans le tableau TAB1.
Revisser à fond l'injecteur UM.
Desserrer la vis V et placer l'aérateur à la distance A indiquée dans le tableau TAB1.
Revisser à fond la vis V.
Remonter toutes les pièces. Effectuer dans l'ordre inverse les opérations de démontage.

REPLACEMENT DE LA VIS DU MINIMUM

Démonter le panneau de commandes.
Démonter l'injecteur UM et le remplacer par celui indiqué dans le tableau TAB1.
Revisser à fond l'injecteur UM.
Remonter toutes les pièces. Effectuer dans l'ordre inverse les opérations de démontage.

REPLACEMENT DE L'INJECTEUR DE LA VEILLEUSE

Démonter le panneau de commandes.
Dévisser le raccord R.
Démonter l'injecteur UP et le remplacer par celui indiqué dans le tableau TAB1.
Revisser à fond le raccord R. Remonter toutes les pièces.
Après, dans l'ordre inverse, la séquence utilisée pour leur élimination.

9. MISE EN SERVICE

Après l'installation, l'adaptation à un autre type de gaz ou des interventions d'entretien, vérifier le fonctionnement de l'appareil. En cas de dysfonctionnements, consulter le paragraphe " Résolution des dysfonctionnements " .

APPAREIL À GAZ

- Mettre l'appareil en marche conformément aux instructions d'utilisation figurant au chapitre " INSTRUCTIONS POUR L'UTILISATION " et vérifier:
- la pression d'alimentation du gaz (voir le paragraphe suivant).
 - la régularité d'allumage des brûleurs et l'efficacité de l'installation d'évacuation des fumées.

VÉRIFICATION DE LA PRESSION D'ALIMENTATION DU GAZ

Utiliser un manomètre d'une précision égale ou supérieure à 0,1 mbar.
Démonter le panneau de commandes.
Enlever la vis d'étanchéité de la prise de pression PP et relier le manomètre.
Effectuer la mesure avec l'appareil en marche.



ATTENTION! SI LA PRESSION D'ALIMENTATION DU GAZ NE RENTRE PAS DANS LES VALEURS LIMITES (MIN. - MAX) INDIQUÉES DANS LE TABLEAU TAB2, INTERROMPRE LE FONCTIONNEMENT DE L'APPAREIL ET CON-TACTER LA SOCIÉTÉ DE DISTRIBUTION DE GAZ.

Détacher le manomètre et revisser à fond la vis d'étanchéité sur la prise de pression.

EQUIPEMENTS ELECTRIQUES

Mettre l'appareil en marche conformément aux instructions d'utilisation figurant au chapitre " INSTRUCTIONS POUR L'UTILISATION " et vérifier:

- les valeurs du courant de chaque phase.
- la régularité d'allumage des résistances de chauffage.

III. INSTRUCTIONS POUR L'UTILISATION

10. AVERTISSEMENTS POUR L'UTILISATEUR



LIRE ATTENTIVEMENT CE MANUEL. IL DONNE DES INFORMATIONS IMPORTANTES POUR L'INSTALLATION, L'UTILISATION ET L'ENTRETIEN DE L'APPAREIL EN TOUTE SÉCURITÉ.



LE FABRICANT DE L'APPAREIL DÉCLINE TOUTE RESPONSABILITÉ EN CAS DE DOMMAGES DÛS AU NON RESPECT DES CONSIGNES CI DESSOUS.

Pour l'assistance, s'adresser uniquement aux centres techniques agréés par le fabricant et exiger des pièces détachées originales.

Faire contrôler l'appareil au moins deux fois par an. Il convient de stipuler un contrat d'entretien.

Cet appareil est destiné à un usage professionnel et doit donc être utilisé par du personnel formé à cet effet.

L'appareil est destiné à la cuisson d'aliments comme indiqué dans les avertissements. Toute autre utilisation est impropre.

Éviter de faire marcher l'appareil à vide pendant de longues périodes. Préchauffer l'appareil juste avant de l'utiliser.

Surveiller l'appareil pendant son fonctionnement.

En cas de panne ou de dysfonctionnement de l'appareil, fermer le robinet d'arrêt du gaz et/ou désactiver l'interrupteur général d'alimentation électrique installés en amont de l'appareil.

Effectuer le nettoyage conformément aux instructions données dans le Chapitre "INSTRUCTIONS POUR LE NETTOYAGE".



NE PAS STOCKER DE SUBSTANCES INFLAMMABLES À PROXIMITÉ DE L'APPAREIL. DANGER D'INCENDIE.

Ne pas obstruer les orifices d'aération et d'évacuation de l'appareil.

Ne pas manipuler les pièces de l'appareil.

Conserver ce manuel dans un endroit sûr et connu afin de pouvoir le consulter pendant toute la durée de vie utile de l'appareil.

L'installation l'entretien de l'appareil doivent être effectués par des installateurs qualifiés et agréés par le fabricant, conformément aux normes de sécurité en vigueur et aux consignes données dans ce manuel.

L'entretien et la conversion à un autre type de gaz de l'appareil doivent être effectués par des installateurs qualifiés et agréés par le fabricant, conformément aux normes de sécurité en vigueur et aux consignes données dans ce manuel.

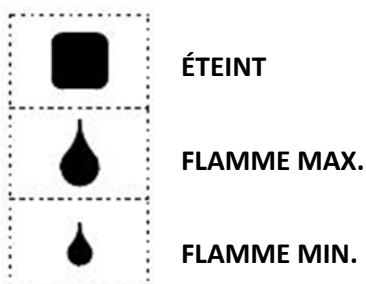
11. UTILISATION DU PLAN DE CUISSON AU GAZ

Cet appareil est destiné à la cuisson d'aliments dans des casseroles et des poèles.

Vérifier que les chapeaux des brûleurs sont replacés correctement dans leur emplacement.

ALLUMAGE ET EXTINCTION DES BRULEURS

La manette de commande du robinet de gaz a les positions d'utilisation suivantes:



ALLUMAGE DU BRULEUR PRINCIPAL

Pour allumer le brûleur pilote, tourner le poignée de la position « éteint » à la position « flamme maximum »

Pour obtenir le minimum, tourner la manette de la position "flamme maximum" à la position "flamme minimum".

ARRÊT

Pour éteindre le brûleur principal tourner le bouton dans la position « éteint »

12. UTILISATION DE LA PLAQUE COUP-DE-FEU À GAZ/ SIMPLE SERVICE

Cet appareil est destiné à la cuisson d'aliments dans des casseroles et des poèles.

Les températures plus élevées de la plaque s'obtiennent au milieu.

Veiller à ce que le chapeau du brûleur soit replacé correctement dans son emplacement. Soulever le disque central de la plaque.

ALLUMAGE ET EXTINCTION DES BRULEURS

La manette de commande du robinet de gaz a les positions d'utilisation suivantes:



ALLUMAGE DE LA VEILLEUSE

Appuyer sur la manette et la tourner dans la position "allumage veilleuse gaz".

Appuyer à fond sur la manette et allumer la veilleuse en appuyant sur le bouton de l'allumeur piézoélectrique.

Appuyer encore sur la manette pendant 20 secondes environ et la relâcher. Répéter l'opération si la veilleuse s'éteint.

La veilleuse peut être observée à travers l'orifice se trouvant sur le panneau de commandes.

La veilleuse peut être allumée en approchant une flamme. Soulever le disque central de la plaque.

ALLUMAGE DU BRULEUR PRINCIPAL

Pour allumer le brûleur principal, tourner la manette de la position "allumage veilleuse gaz" en position "flamme maximum".

Pour obtenir le minimum, tourner la manette de la position "flamme maximum" à la position "flamme minimum".

ARRÊT

Tourner la manette de la position "flamme maximum" ou "flamme minimum" à la position "allumage veilleuse gaz".

Pour éteindre la veilleuse gaz, appuyer partiellement sur la manette et la tourner en position "éteint".

13. UTILISATION FOUR GAZ SERIE 600

Cet appareil est destiné à la cuisson d'aliments disposés sur les grilles fournies avec l'appareil.

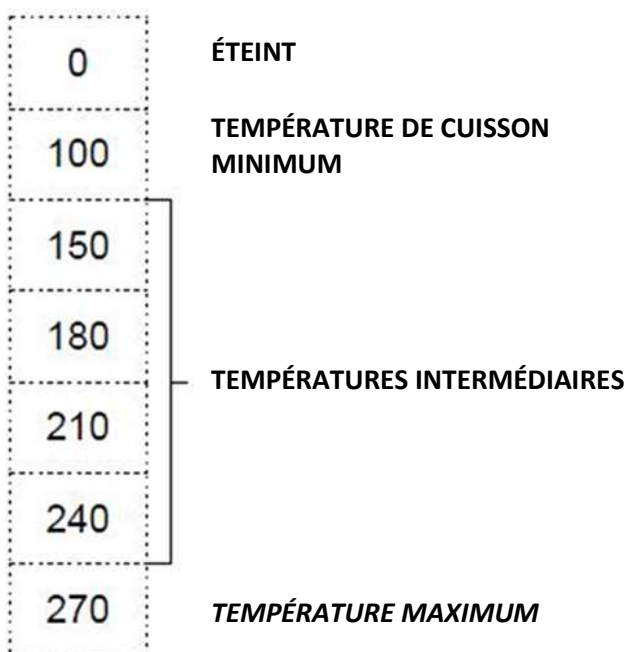
Ne pas laisser la porte du four ouverte ou entrouverte pendant son utilisation.



ATTENTION : LE GRILL NE FONCTIONNE PAS QUAND LA FONCTION GAZ DU FOUR EST ACTIONNÉ.

ALLUMAGE ET EXTINCTION DES BRULEURS

La manette de commande du thermostat a les positions d'utilisation suivantes:



ALLUMAGE DU BRULEUR PRINCIPAL

Tourner la manette dans la position correspondant à la température de cuisson choisie.

Appuyer le poignée pendant 5-10 seconds. Le brûleur s'éteint électriquement.

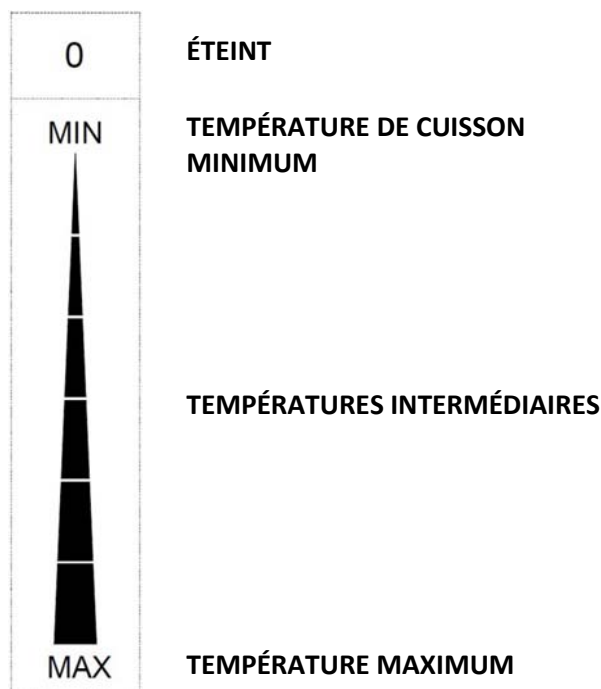
Si le brûleur ne s'allume pas, laisser ouvert la porte du four 1 minute et après répéter l'opération.

ARRÊT

Pour étendre le brûleur principal tourner le bouton dans la position « éteint »

ALLUMAGE/ETEINT GRILL ELECTRIQUE

La manette de commande du régulateur d'énergie a les positions d'utilisation suivantes:



ALLUMAGE GRILL ELECTRIQUE

Tourner la manette du régulateur d'énergie dans n'importe quelle position comprise entre "MIN" et "MAX".

Le témoin jaune et la lampe à l'intérieur du four s'allument.

ARRÊT

Tourner la manette du régulateur d'énergie en

position " Éteint " .

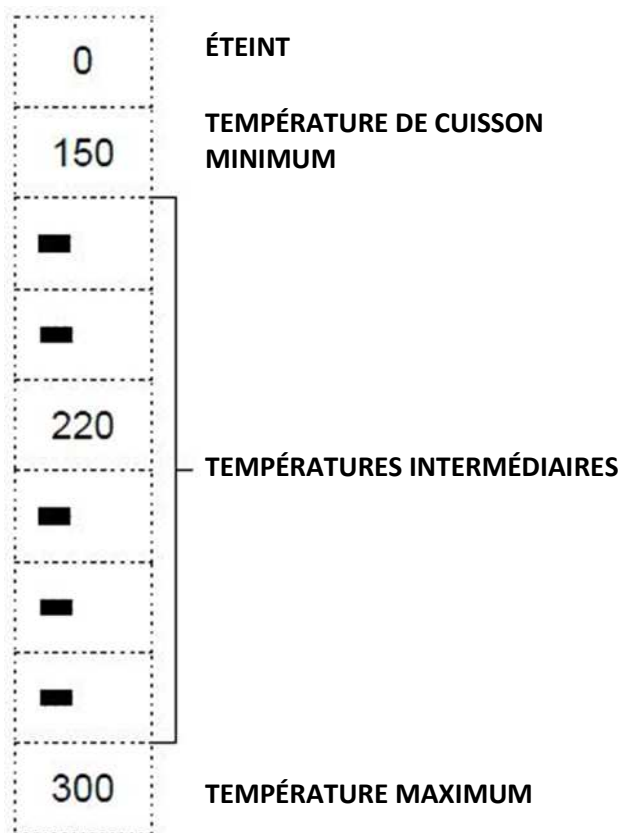
14. UTILISATION FOUR GAZ SERIE 650

Cet appareil est destiné à la cuisson d'aliments disposés sur les grilles fournies avec l'appareil.

Ne pas laisser la porte du four ouverte ou entrouverte pendant son utilisation.

ALLUMAGE ET EXTINCTION DES BRULEURS

Le bouton du robinet thermostatique a les positions d'utilisation suivant :



ALLUMAGE DU BRULEUR PRINCIPAL

Tourner la manette dans la position correspondant à la température de cuisson choisie.

Appuyer sur le bouton et sur le bouton poussoir piézoélectrique dans le même temps. Maintenir enfoncé pour 10-15 secondes et en suite livrer; le brûleur pilote restera allumé.

Si il s'éteint répéter l'operation

ARRÊT

Pour étendre le brûleur principal tourner le bouton dans la position « éteint »

15. UTILISATION RECHAUD GAZ

Cet appareil est destiné à la cuisson d'aliments dans des casseroles et des poèles.

Vérifier que les chapeaux des bruleurs sont remplacés correctement dans leur emplacement.

ALLUMAGE ET EXTINCTION DES BRULEURS

La manette de commande du robinet de gaz a les positions d'utilisation suivantes:



ALLUMAGE DE LA VEILLEUSE

Appuyer sur la manette et la tourner dans la position "allumage veilleuse gaz".

Appuyer à fond sur la manette et allumer la veilleuse en approchant une flamme.

Appuyer encore sur la manette pendant 20 secondes environ et la relâcher. Répéter l'opération si la veilleuse s'éteint.

ALLUMAGE DU BRULEUR PRINCIPAL

Pour allumer le brûleur principal, tourner la manette de la position "allumage veilleuse gaz" en position "flamme maximum".

Pour obtenir le minimum, tourner la manette de la position "flamme maximum" à la position "flamme minimum".

ARRÊT

Tourner la manette de la position "flamme maximum" ou "flamme minimum" à la position "allumage veilleuse gaz".

Pour éteindre la veilleuse gaz, appuyer partiellement sur la manette et la tourner en position "éteint".

16. UTILISATION TABLE DE CUISSON ELECTRIQUE/RECHAUD ELECTRIQUE

Cet appareil est destiné à la cuisson d'aliments dans des casseroles et des poèles.

Utiliser des casseroles à fond plat.

Ne pas laisser la plaque allumée sans casseroles dessus ou avec une casserole vide.

Ne pas verser de liquides froids sur la plaque chaude.

ALLUMAGE ET EXTINCTION DU CHAUFFAGE

La manette de commande du sélecteur a les positions d'utilisation suivantes:

0	ÉTEINT
1	TEMPÉRATURE DE CUISSON MINIMUM
2	
3	TEMPÉRATURES INTERMÉDIAIRES
4	
5	
6	TEMPÉRATURE MAXIMUM

ALLUMAGE

Tourner la manette du sélecteur dans la position d'utilisation choisie.

Le voyant vert s'allume.

Si le voyant lumineux "A" s'allume, ceci indique que la plaque correspondante est en marche.

ARRÊT

Tourner la manette du sélecteur dans la position "0".

Le voyant vert s'éteint.

17. MODE D'EMPLOI DU FOUR ÉLECTRIQUE À CONVENTION

Cet appareil est destiné à la cuisson d'aliments disposés sur les grilles fournies avec l'appareil.

Ne pas laisser la porte du four ouverte ou entrouverte pendant son utilisation.

Un thermostat de sécurité à rétablissement manuel qui coupe le chauffage lorsque la température de service dépasse celle maximum admise est monté dans l'appareil.

ALLUMAGE ET EXTINCTION DU CHAUFFAGE

La manette de commande du thermostat a les positions d'utilisation suivantes:

0	ÉTEINT
50	TEMPÉRATURE DE CUISSON MINIMUM
100	
150	TEMPÉRATURES INTERMÉDIAIRES
200	
250	
300	TEMPÉRATURE MAXIMUM

ALLUMAGE

Tourner la manette du thermostat dans la position correspondant à la température de cuisson choisie.

Le témoin jaune et le témoin vert s'allument.

L'extinction du voyant jaune indique que la température choisie est atteinte.

Le témoin vert indique que l'équipement est sous tension

ARRÊT

Tourner la manette du thermostat dans la position "0".

Le témoin jaune et le témoin vert s'éteignent.

18. UTILISATION FOUR ELECTRIQUE MULTIFUNCTION (SERIE 600)

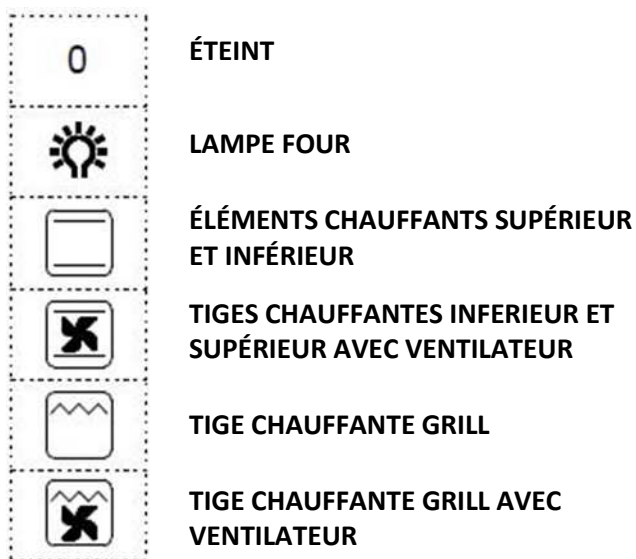
Cet appareil est destiné à la cuisson d'aliments disposés sur les grilles fournies avec l'appareil.

Ne pas laisser la porte du four ouverte ou entrouverte pendant son utilisation.

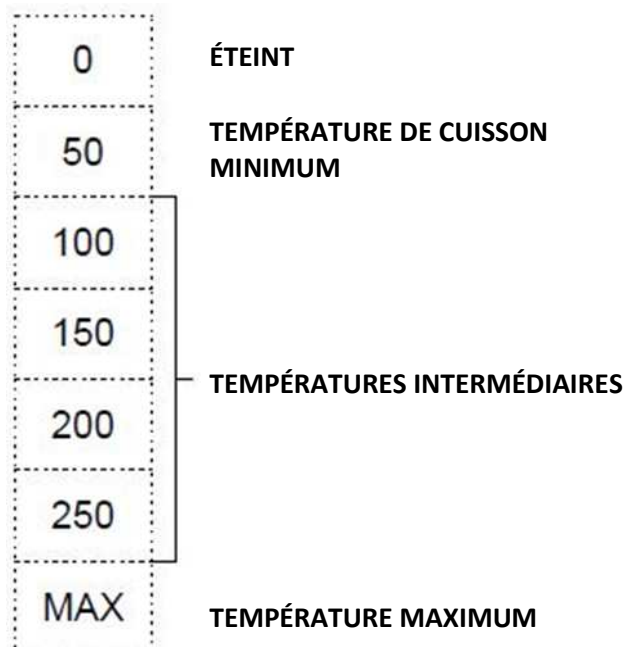
Un thermostat de sécurité à rétablissement manuel qui coupe le chauffage lorsque la température de service dépasse celle maximum admise est monté dans l'appareil.

ALLUMAGE ET EXTINCTION DU CHAUFFAGE

Le fonctionnement du four électrique est contrôlé par deux manettes de commande (pour sélectionner le type de chauffage et la température de cuisson). Un voyant jaune signale le fonctionnement des résistances de chauffage. La manette de commande du sélecteur a les positions d'utilisation suivantes:



La manette de commande du thermostat a les positions d'utilisation suivantes:



ALLUMAGE

Tourner la manette du sélecteur dans la position d'utilisation choisie.

Tourner la manette du thermostat dans la position correspondant à la température de cuisson choisie.

Le témoin jaune et le témoin verte s'allument.

L'extinction du voyant jaune indique que la température choisie est atteinte.

Le témoin verte indique que l'équipement est sous tension

ARRÊT

Tourner la manette du thermostat dans la position "0".

Tourner la manette du sélecteur dans la position "0".

19. PÉRIODES D'INACTIVITÉ

Avant une période d'inactivité prévue, procéder comme suit:

- Nettoyer soigneusement l'appareil.
- Passer un chiffon imbibé d'un peu d'huile de vaseline sur toutes les surfaces de façon à étaler un film de protection.
- Laisser les couvercles des casseroles ouverts.
- Fermer les robinets ou interrupteurs généraux en amont des appareils.

Après une période d'inactivité prolongée, procéder comme suit:

- Contrôler l'appareil avant de le réutiliser.
- Faire fonctionner les appareils électriques à la température minimum pendant au moins 60 minutes.

IV. INSTRUCTIONS POUR LE NETTOYAGE

20. AVERTISSEMENTS POUR LE NETTOYAGE



LIRE ATTENTIVEMENT CE MANUEL. IL DONNE DES INFORMATIONS IMPORTANTES POUR L'INSTALLATION, L'UTILISATION ET L'ENTRETIEN DE L'APPAREIL EN TOUTE SÉCURITÉ.



LE FABRICANT DE L'APPAREIL DÉCLINE TOUTE RESPONSABILITÉ EN CAS DE DOMMAGES DÛS AU NON RESPECT DES CONSIGNES CI DESSOUS.



COUPER L'ALIMENTATION ÉLECTRIQUE DE L'APPAREIL, SI SOUS TENSION, AVANT TOUTE OPÉRATION.

Nettoyer tous les jours les surfaces extérieures en acier inox poli, la surface des cuves de cuisson, la surface des plaques de cuisson.

Faire nettoyer les pièces internes de l'appareil au moins deux fois par an par un technicien agréé.

Ne pas utiliser de produits corrosifs pour nettoyer le sol sous l'appareil.

Ne pas laver l'appareil avec des jets d'eau directs ou à haute pression.

SURFACES POLIES EN ACIER INOXYDABLE

Nettoyer les surfaces avec un chiffon ou une éponge en utilisant de l'eau et des produits nettoyants non abrasifs. Passer le chiffon dans le sens du polissage. Rincer souvent et sécher ensuite soigneusement.

Ne pas utiliser de tampons à récuser ni d'autres objets en fer.

Ne pas utiliser de produits chimiques contenant du chlore.

Ne pas utiliser d'objets pointus pouvant rayer la surface.

PLAQUES ÉLECTRIQUES

Nettoyer les surfaces avec un chiffon humide.

Mettre en marche quelques minutes pour sécher

rapidement.

Lubrifier les surfaces avec une fine couche d'huile alimentaire.

PLAQUE COUP-DE-FEU

Nettoyer les surfaces avec un chiffon humide.

Mettre en marche quelques minutes pour sécher rapidement.

Lubrifier les surfaces avec une fine couche d'huile alimentaire.

V. INSTRUCTIONS POUR L'ENTRETIEN

21. AVERTISSEMENTS POUR LE TECHNICIEN D'ENTRETIEN



LE FABRICANT DE L'APPAREIL DÉCLINE TOUTE RESPONSABILITÉ EN CAS DE DOMMAGES DÛS AU NON RESPECT DES CONSIGNES CI DESSOUS.

Repérer le modèle d'appareil. Le modèle est indiqué sur l'emballage et la plaque signalétique de l'appareil.

Installer l'appareil seulement dans des locaux suffisamment aérés.

Ne pas obstruer les orifices d'aération et d'évacuation de l'appareil.

Ne pas manipuler les pièces de l'appareil.

L'entretien et la conversion à un autre type de gaz de l'appareil doivent être effectués par des installateurs qualifiés et agréés par le fabricant, conformément aux normes de sécurité en vigueur et aux consignes données dans ce manuel.

22. ADAPTATION À UN AUTRE TYPE DE GAZ

Voir le chapitre " Instructions pour l'installation ".

23. MISE EN SERVICE

Voir le chapitre " Instructions pour l'installation ".

24. RÉOLUTION DES

DYSFONCTIONNEMENTS

PLAN DE CUISSON AU GAZ

LE BRÛLEUR PRINCIPAL NE S'ALLUME PAS

Causes possibles:

- La pression d'alimentation du gaz est insuffisante.
- La conduite ou l'injecteur est obstrué (e).
- Le robinet de gaz ou la valve de gaz est en panne.
- Le brûleur est défectueux (orifices de sortie du gaz bouchés).

PLAQUE COUP-DE-FEU À GAZ

LA VEILLEUSE NE S'ALLUME PAS.

Causes possibles:

- La pression d'alimentation du gaz est insuffisante.
- La conduite ou l'injecteur est obstrué (e).
- Le robinet de gaz ou la valve de gaz est en panne.
- La bougie d'allumage est mal reliée ou défectueuse.
- L'allumeur ou le câble de la bougie est en panne.

LA VEILLEUSE NE RESTE PAS ALLUMÉE OU S'ÉTEINT PENDANT L'UTILISATION.

Causes possibles:

- La pression d'alimentation du gaz est insuffisante.
- Le robinet de gaz ou la valve de gaz est en panne.
- Le thermocouple est défectueux ou n'est pas suffisamment chauffé.
- Le thermocouple est mal relié au robinet ou à la valve de gaz.
- La manette du robinet ou de la valve de gaz n'est pas suffisamment pressée.

LE BRÛLEUR PRINCIPAL NE S'ALLUME PAS (MÊME SI LA VEILLEUSE EST ALLUMÉE).

Causes possibles:

- La pression d'alimentation du gaz est insuffisante.
- La conduite ou l'injecteur est obstrué (e).
- Le robinet de gaz ou la valve de gaz est en panne.
- Le brûleur est défectueux (orifices de sortie du gaz bouchés).

FOUR À GAZ

LE BRÛLEUR PRINCIPAL NE S'ALLUME PAS

Causes possibles:

- La pression d'alimentation du gaz est insuffisante.
- La conduite ou l'injecteur est obstrué (e).
- Le robinet de gaz ou la valve de gaz est en panne.
- Le brûleur est défectueux (orifices de sortie du gaz bouchés).

LE CHAUFFAGE NE SE RÈGLE PAS.

Causes possibles:

- Le robinet de gaz est en panne.

RECHAUD GAZ

LA VEILLEUSE NE S'ALLUME PAS.

Causes possibles:

- La pression d'alimentation du gaz est insuffisante.
- La conduite ou l'injecteur est obstrué (e).
- Le robinet de gaz ou la valve de gaz est en panne.
- La bougie d'allumage est mal reliée ou défectueuse.
- L'allumeur ou le câble de la bougie est en panne.

LA VEILLEUSE NE RESTE PAS ALLUMÉE OU S'ÉTEINT PENDANT L'UTILISATION.

Causes possibles:

- La pression d'alimentation du gaz est insuffisante.
- Le robinet de gaz ou la valve de gaz est en panne.
- Le thermocouple est défectueux ou n'est pas suffisamment chauffé.
- Le thermocouple est mal relié au robinet ou à la valve de gaz.
- La manette du robinet ou de la valve de gaz n'est pas suffisamment pressée.

LE BRÛLEUR PRINCIPAL NE S'ALLUME PAS (MÊME SI LA VEILLEUSE EST ALLUMÉE).

Causes possibles:

- La pression d'alimentation du gaz est insuffisante.
- La conduite ou l'injecteur est obstrué (e).
- Le robinet de gaz ou la valve de gaz est en panne.
- Le brûleur est défectueux (orifices de sortie du gaz bouchés).

TABLE DE CUISSON ELECTRIQUE/RECHAUD ELECTRIQUE

LA PLAQUE NE CHAUFFE PAS.

Causes possibles:

- La plaque est défectueuse.

FOUR ÉLECTRIQUE

L'APPAREIL NE CHAUFFE PAS.

Causes possibles:

- Le thermostat de réglage de la température est défectueux.
- Les résistances sont défectueuses.
- Le thermostat de sécurité s'est déclenché.

LE CHAUFFAGE NE SE RÈGLE PAS.

Causes possibles:

- Le thermostat de réglage de la température est défectueux.

25. REMPLACEMENT DE PIÈCES

AVERTISSEMENTS POUR LE REMPLACEMENT DES PIÈCES



FERMER LE ROBINET D'ARRÊT DU GAZ ET/OU DÉSACTIVER L'INTERRUPTEUR GÉNÉRAL D'ALIMENTATION ÉLECTRIQUE INSTALLÉS EN AMONT DE L'APPAREIL.



APRÈS LE REMPLACEMENT D'UNE PIÈCE DU CIRCUIT DE GAZ, VÉRIFIER L'ABSENCE DE FUITES AUX POINTS DE RACCORDEMENT AU CIRCUIT.



COUPER L'ALIMENTATION ÉLECTRIQUE DE L'APPAREIL, SI SOUS TENSION, AVANT TOUTE OPÉRATION.



APRÈS LE REMPLACEMENT D'UN COMPOSANT DU CIRCUIT ÉLECTRIQUE, VÉRIFIER QU'IL EST CORRECTEMENT RELIÉ AU CÂBLAGE.

PLAN DE CUISSON AU GAZ

REEMPLACEMENT DU ROBINET DE GAZ.

- Démontez le panneau de commandes.
- Retirez et remplacez le composant.

- Remontez toutes les pièces. Effectuez dans l'ordre inverse les opérations de démontage.

PLAQUE COUP-DE-FEU À GAZ

REEMPLACEMENT DU ROBINET DE GAZ ET DE L'ALLUMEUR PIÉZO.

- Démontez le panneau de commandes.
- Retirez et remplacez le composant.
- Remontez toutes les pièces. Effectuez dans l'ordre inverse les opérations de démontage.

REEMPLACEMENT DU BRULEUR PRINCIPAL, DE LA VEILLEUSE, DU THERMOCOUPLE ET DE LA BOUGIE D'ALLUMAGE.

- Démontez la plaque de cuisson.
- Démontez le panneau de commandes et les protections internes.
- Retirez et remplacez le composant.
- Remontez toutes les pièces. Effectuez dans l'ordre inverse les opérations de démontage.

FOUR À GAZ

REEMPLACEMENT DU ROBINET THERMOSTATIQUE ET DU BOUTON POUSSOIR PIÉZOÉLECTRIQUE

- Démontez le panneau de commandes.
- Sortez le bulbe de son logement fixé au côté du four.
- Retirez et remplacez le composant.
- Remontez toutes les pièces. Effectuez dans l'ordre inverse les opérations de démontage.

REEMPLACEMENT DU BRULEUR

- Ouvrez la porte du four.
- Démontez la sole et le flanc se trouvant audessus du bruleur.
- Retirez et remplacez le composant.
- Remontez toutes les pièces. Effectuez dans l'ordre inverse les opérations de démontage.

REEMPLACEMENT DU THERMOCOUPLE

- Démontez le panneau de commandes.
- Ouvrez la porte du four.
- Démontez la sole et le flanc se trouvant audessus du bruleur.

- Retirer et remplacer le composant.
- Remonter toutes les pièces. Effectuer dans l'ordre inverse les opérations de démontage.

RECHAUD GAZ

REPLACEMENT DU ROBINET DE GAZ.

- Démontez le panneau de commandes.
- Retirer et remplacer le composant.
- Remonter toutes les pièces. Effectuer dans l'ordre inverse les opérations de démontage.

REPLACEMENT DU BRULEUR PRINCIPAL, DE LA VEILLEUSE, DU THERMOCOUPLE ET DE LA BOUGIE D'ALLUMAGE.

- Démontez le panneau de commandes.
- Retirer et remplacer le composant.
- Remonter toutes les pièces. Effectuer dans l'ordre inverse les opérations de démontage.

TABLE DE CUISSON ELECTRIQUE/RECHAUD ELECTRIQUE

REPLACEMENT DU SÉLECTEUR ET DU VOYANT

- Démontez le panneau de commandes.
- Retirer et remplacer le composant.
- Remonter toutes les pièces. Effectuer dans l'ordre inverse les opérations de démontage.

REPLACEMENT DE LA PLAQUE.

- Démontez le panneau de commandes et les protections internes.
- Démontez et remplacez la pièce. Visser sur la nouvelle pièce l'entretoise M8 récupérée sur la pièce remplacée.
- Remonter toutes les pièces. Effectuer dans l'ordre inverse les opérations de démontage.

FOUR ÉLECTRIQUE

REPLACEMENT DU SÉLECTEUR ET DU VOYANT

- Démontez le panneau de commandes.
- Retirer et remplacer le composant.
- Remonter toutes les pièces. Effectuer dans l'ordre inverse les opérations de démontage.

REPLACEMENT DU THERMOSTAT DE TRAVAIL ET DU THERMOSTAT DE SÉCURITÉ

- Démontez le panneau de commandes.
- Sortir le bulbe de son logement fixé au côté du four.
- Retirer et remplacer le composant.
- Remonter toutes les pièces. Effectuer dans l'ordre inverse les opérations de démontage.

REPLACEMENT DE LA RÉSISTANCE

- Démontez la sole (seulement pour les résistances inférieures).
- Dévisser la vis qui fixe la résistance au four et sortir la résistance de 10 cm environ.
- Remonter toutes les pièces. Effectuer dans l'ordre inverse les opérations de démontage.

26. NETTOYAGE DES PIÈCES INTERNES

Contrôler l'état des pièces se trouvant à l'intérieur de l'appareil.

Enlever la saleté s'étant éventuellement déposée. Contrôler et nettoyer le système d'évacuation des fumées.

27. PIÈCES PRINCIPALES

PLAN DE CUISSON AU GAZ

- ROBINET DE GAZ
- BRÛLEUR PRINCIPAL
- Veilleuse
- Thermocouple

PLAQUE COUP-DE-FEU À GAZ

- ROBINET DE GAZ
- BRÛLEUR PRINCIPAL
- Veilleuse
- Thermocouple
- Bougie d'allumage
- Allumeur piézoélectrique

FOUR À GAZ

- ROBINET DE GAZ
- BRÛLEUR PRINCIPAL

- Veilleuse
- Thermocouple
- Bougie d'allumage
- Allumeur piézoélectrique

RECHAUD GAZ

ROBINET DE GAZ
BRÛLEUR PRINCIPAL
Veilleuse
Thermocouple
Bougie d'allumage

PLAN DE CUISSON ÉLECTRIQUE

- Sélecteur
- Plaque chauffante
- Voyant

FOUR ÉLECTRIQUE

- Sélecteur
- Thermostat de travail
- Thermostat de sécurité
- Résistance
- Voyant

DE - INSTALLATION – GEBRAUCH - WARTUNG

I. ALLGEMEINE HINWEISE



LESEN SIE DIESE ANLEITUNG AUFMERKSAM DURCH. SIE ENTHÄLT WICHTIGE HINWEISE ZUR INSTALLATIONS, GEBRAUCHS-UND WARTUNGSSICHERHEIT DES GERÄTS. NICHTBEACHTUNG WAS IST UNTEN DARGESTELLT ERFÜLLEN KANN ZUR BEEINTRÄCHTIGUNG DER SICHERHEIT DER GERÄTE.



DER GERÄTEHERSTELLER IST NICHT HAFTBAR FÜR EVENTUELLE SCHÄDEN, DIE DURCH MISSACHTUNG DER NACHSTEHENDEN PFLICHTEN VERURSACHT WERDEN.



ÜBERSETZUNG DER URSPRÜNGLICHEN ANWEISUNGEN.



BEI DER INSTALLIERUNG, LAGERUNG UND/ODER BEFESTIGUNG, SCHALTUNG AN DEN STROMNETZ DER GERÄTE BITTE DIE SICHERHEITSMABNAHMEN BEACHTEN. BITTE DEN KAPITEL "MONTAGEANLEITUNG" LESEN BEI DER REINIGUNG DER GERÄTE BEACHTEN SIE DIE SICHERHEITSMABNAHMEN FÜR REINIGUNG. BITTE DEN KAPITEL "REINIGUNGSANLEITUNG" LESEN. DAS SYMBOL "GEFÄHRLICHE SPANNUNG" BEDEUTET, DASS DIESE TEILEN SIND VON GEFÄHRLICHER SPANNUNG BETROFFEN



Bewahren Sie diese Anleitung an einem sicheren und bekannten Ort auf, damit sie während der Nutzungsdauer des Geräts eingesehen werden kann.

Dieses Geräte wurde für das Kochen von Speisen entwickelt. Es ist für den industriellen Gebrauch bestimmt. Jeder andere Gebrauch ist bestimmungsfremd.

Dieses Gerät darf nicht durch Personen (Kinder eingeschlossen) benutzt werden, die körperlich behindert, in ihrer Wahrnehmungsfähigkeit oder ihren geistigen Kräften eingeschränkt sind oder denen Erfahrung und Kenntnisse fehlen.

Außer wenn sie durch eine für ihre Sicherheit verantwortliche Person überwacht oder in den Gebrauch des Gerätes eingewiesen werden. Vermeiden Sie es, das Gerät in Anwesenheit von Kindern unbeaufsichtigt zu lassen und stellen Sie sicher, dass es nicht von ihnen benutzt wird oder sie mit ihm spielen.

Das Bedienungspersonal des Gerätes muss geschult werden. Das Gerät muss während des Betriebes überwacht werden.



BEWAHREN SIE KEINE ENTZÜNDBAREN STOFFE IN NÄHE DES GERÄTS AUF. BRANDGEFAHR.

Installieren Sie das Gerät nur in gut belüfteten Räumen.

Eine unzureichende Belüftung führt zu Erstickung. Das Belüftungssystem des Raumes, in dem das Gerät installiert wird, nicht verdecken. Die Belüftungs- oder Auslassöffnungen dieses oder anderer Geräte nicht verdecken.

Schließen Sie bei Defekten oder Betriebsstörungen den Gasabsperrhahn und/oder unterbrechen Sie die Stromversorgung am Hauptschalter, die beide dem Gerät vorgeschaltet sind.

Installation und Umstellung auf einen anderen Gasbetrieb und sind durch qualifiziertes und vom Hersteller autorisiertes Personal entsprechend den einschlägigen Sicherheitsbestimmungen und diesen Anleitungen vorzunehmen.

Wartung und Umstellung auf einen anderen Gasbetrieb des Geräts sind durch qualifiziertes und vom Hersteller autorisiertes Personal entsprechend den einschlägigen Sicherheitsbestimmungen und diesen Anleitungen vorzunehmen.

Beachten Sie bei der Reinigung die Anweisungen im Kapitel "REINIGUNGSANWEISUNGEN".

1. ENTSORGUNG DER VERPACKUNG UND DES GERÄTS

VERPACKUNG

Die Verpackung ist aus umweltverträglichen Materialien gefertigt. Die recyclebaren Kunststoffkomponenten sind:

- Die transparente Hülle, die Beutel mit den Gebrauchsanleitungen und den Düsen (aus Polyethylen - PE).
- Die Umreifungsbänder (aus Polypropylen - PP).

GERÄTE

Zu mehr als 90% seines Gewichtes besteht das Gerät aus recyclebaren Metallwerkstoffen (Edelstahl, aluminisiertes Blech, Kupfer..).

Das Gerät ist entsprechend den einschlägigen Vorschriften zu entsorgen.

Vor der Entsorgung unbrauchbar machen.

Es darf nicht in die Umwelt gelangen.



DAS SYMBOL DER DURCHGESTRICHENEN MÜLLTONNE AUF DEM GERÄT ODER SEINER VERPACKUNG BEDEUTET, DASS DAS PRODUKT AM ENDE SEINER NUTZBARKEIT GETRENNT VON DEN ANDEREN ABFÄLLEN ENTSORGT WERDEN MUSS.

DIE GETRENNTE SAMMLUNG DIESES GERÄTS NACH ENDE SEINER NUTZUNGSDAUER WIRD VOM HERSTELLER ORGANISIERT UND VERWALTET. DER BENUTZER, DER SICH VON DIESEM GERÄT BEFREIEN WILL, MUSS SICH DAHER MIT DEM HERSTELLER IN VERBINDUNG SETZEN UND DAS SYSTEM BEFOLGEN, DAS DER HERSTELLER FÜR DIE GETRENNTE SAMMLUNG DES GERÄTS NACH ENDE SEINER NUTZUNGSDAUER EINGEFÜHRT HAT. DIE GEEIGNETE GETRENNTE SAMMLUNG TRÄGT ZUR VERMEIDUNG NEGATIVER AUSWIRKUNGEN AUF UMWELT UND GESUNDHEIT BEI UND UNTERSTÜTZT DIE WIEDERVERWENDUNG

UND/ODER DAS RECYCLING DES MATERIALS AUS DEM DAS GERÄT ZUSAMMENGESETZT IST.

DIE VERWAHRLOSUNG DES PRODUKTS DURCH DEN EIGENTÜMER FÜHRT ZUR ANWENDUNG DER VON DER GESETZLICHEN BESTIMMUNG VORGEGEHENEN VERWALTUNGSSTRAFEN.

2. SICHERHEITS VORRICHTUNGEN

ELEKTROOFEN

SICHERHEITSTHERMOSTAT



DER GERÄTEHERSTELLER IST NICHT HAFTBAR FÜR EVENTUELLE SCHÄDEN, DIE DURCH MISSACHTUNG DER NACHSTEHENDEN PFLICHTEN VERURSACHT WERDEN.

Das Gerät verfügt über einen von Hand rückstellbaren Sicherheitsthermostat, der die Beheizung unterbricht, wenn die Betriebstemperatur die zulässige Höchsttemperatur überschreitet.

Zur Wiederherstellung des Gerätebetriebs muss das Bedienfeld entfernt und die Rücksetztaste des Thermostats gedrückt werden. Dieser Eingriff ist ausschließlich einem qualifizierten und autorisierten Techniker vorbehalten.

II. INSTALLATIONSANLEITUNGEN

3. HINWEISE FÜR DEN INSTALLATIONSTECHNIKER



LESEN SIE DIESE ANLEITUNG AUFMERKSAM DURCH. SIE ENTHÄLT WICHTIGE HINWEISE ZUR INSTALLATIONS, GEBRAUCHS-UND WARTUNGSSICHERHEIT DES GERÄTS. NICHTBEACHTUNG WAS IST UNTEN DARGESTELLT ERFÜLLEN KANN ZUR BEEINTRÄCHTIGUNG DER SICHERHEIT DER GERÄTE.



DER GERÄTEHERSTELLER IST NICHT HAFTBAR FÜR EVENTUELLE SCHÄDEN, DIE DURCH MISSACHTUNG DER NACHSTEHENDEN PFLICHTEN VERURSACHT WERDEN.

Gerätemodell feststellen. Das Modell ist an der Verpackung und auf dem Schild der Gerätedaten

vermerkt.

Installieren Sie das Gerät nur in gut belüfteten Räumen.

Installation und Umstellung auf einen anderen Gasbetrieb und sind durch qualifiziertes und vom Hersteller autorisiertes Personal entsprechend den einschlägigen Sicherheitsbestimmungen und diesen Anleitungen vorzunehmen.

Wartung und Umstellung auf einen anderen Gasbetrieb des Geräts sind durch qualifiziertes und vom Hersteller autorisiertes Personal entsprechend den einschlägigen Sicherheitsbestimmungen und diesen Anleitungen vorzunehmen.

Verdecken Sie die am Gerät vorhandenen Belüftungsschlitze und Abfl ussöffnungen nicht.

Nehmen Sie keine unerlaubten Änderungen an den Gerätekomponenten vor.

4. BEZUGSNORMEN UND -GESETZE

Installieren Sie das Gerät in Übereinstimmung mit den geltenden Sicherheitsnormen im Land.

5. AUSPACKEN

Überprüfen Sie die Verpackung auf Schäden und fordern Sie ggf. den Spediteur zu einer Kontrolle der Ware auf.

Entfernen Sie die Verpackung.

Ziehen Sie die Schutzfolie von den Außenwänden ab. Entfernen Sie eventuelle Klebstoffreste mit geeigneten Lösungsmitteln.

6. GERÄTEAUFSTELLUNG

Die Außenmaße des Geräts und die Position der Anschlüsse sind dem Installationsschema am Ende dieser Anleitungen zu entnehmen.

Das Gerät kann einzeln oder zusammen mit anderen Geräten derselben Baureihe installiert werden.

Das Gerät eignet sich nicht für den Einbau.

Halten Sie einen Mindestabstand von 10 cm von den angrenzenden Wänden ein.

Falls das Gerät in der Nähe von Wänden, Teilern, Möbelstücken, schmückenden Elementen, etc., müssen diese Elemente aus unentzündbarem Stoff hergestellt sind.

Anderenfalls müssen sie mit passendem unentzündbaren wärmeisolierenden Stoff

verkleidet sein.

Nivellieren Sie das Gerät mithilfe der höhenverstellbaren Füße

GERÄTEMONTAGE AUF SOCKEL, ALS BRÜCKENELEMENT

Befolgen Sie die zusammen mit dem jeweiligen Halterungselement gelieferten Anleitungen.

WRASENABZUGSSYSTEM

Legen Sie den Wrasenabzug je nach " Gerätetyp " an. Der " Typ " steht auf dem Schild der Gerätedaten.

GERÄTETYP " A1 "

Stellen Sie den Gerätetyp "A1" unter einer Dunstabzugshaube auf, um den Abzug von beim Garen erzeugtem Dunst und Schwaden zu gewährleisten.

GERÄTETYP " B21 "

Stellen Sie den Gerätetyp "B21" unter einer Dunstabzugshaube auf.

GERÄTETYP " B11 "

Montieren Sie über dem Gerätetyp "B11" den passenden Rauchabzug, der beim Gerätehersteller anzufordern ist. Befolgen Sie die dem Rauchabzug beiliegenden Anleitungen.

Schließen Sie ein bis zu 300°C hitzebeständiges Rohr mit 150/155 mm Durchmesser an den Rauchabzug an.

Führen Sie es nach außen oder in einen garantiert funktionierenden Schornstein ab. Das Rohr darf nicht länger als 3 Meter sein.

7. ANSCHLÜSSE

Position und Abmessungen der Anschlüsse sind dem Installationsschema am Ende dieser Anleitungen zu entnehmen.

ANSCHLUSS AN DIE GASLEITUNG

Prüfen Sie, ob das Gerät auf die Gasart eingestellt ist, mit der es effektiv betrieben werden soll. Kontrollieren Sie dazu die Angaben auf den an der Verpackung und am Gerät befestigten Etiketten.

Falls erforderlich, passen Sie das Gerät an die verwendete Gasart an. Gehen Sie nach den Anweisungen im folgenden Abschnitt "Umstellung auf einen anderen Gasbetrieb" vor.

Für die Aufbaugeräte ist außerdem ein rückseitiger Anschluss verfügbar. Entfernen Sie den Verschluss und verschrauben Sie ihn hermetisch am frontseitigen Anschluss.

Installieren Sie an einer leicht zugänglichen Stelle vor dem Gerät einen Schnellabsperrrhahn.

Verwenden Sie keine Anschlussrohre mit geringerem Durchmesser als dem des Gasanschlusses des Geräts.

Stellen Sie nach dem Anschluss sicher, dass keine Undichtigkeiten an den Verbindungsstellen vorliegen.

ANSCHLUSS AN DAS STROMNETZ

Prüfen Sie, ob das Gerät auf die Spannung und die Frequenz eingestellt ist, mit der es effektiv betrieben wird. Kontrollieren Sie dazu das Schild der Gerätedaten und des Klemmbrettes.

Vor dem Gerät in einem leicht zugänglichen Ort, eine allpolige Trennvorrichtung mit einem Kontaktabstand Distanz, die für die vollständige Trennung erlaubt unter den Bedingungen der Überspannungskategorie III installiert.

Verwenden Sie ein flexibles Versorgungskabel mit einem Schutzmantel aus Gummi, das mindestens dem Typ H05 RN-F entsprechen muss.

Schließen Sie das Versorgungskabel an die Klemmenleiste entsprechend dem mit dem Gerät gelieferten Schaltplan an.

Klemmen Sie das Versorgungskabel mit der Kabelschelle fest.


Schützen Sie den geräteexternen Abschnitt des Versorgungskabels mit einem Metallrohr oder einem steifen Kunststoffschlauch.

Falls das Stromkabel beschädigt ist, muss es vom Hersteller oder von Service Techniker oder von einer qualifizierter Person eingewechselt werden, um alle Risiken vorzubeugen




DAS SYMBOL "GEFÄHRLICHE SPANNUNG" BEDEUTET, DASS DIESE TEILE SIND VON GEFÄHRLICHER SPANNUNG BETROFFEN

VERBINDUNG ZUR ERDE UND EINEM KNOTEN POTENTIALAUSGLEICH

Schließen Sie das Elektrogerät an eine funktionstüchtige Erdung an. Verbinden Sie den Erdleiter mit der durch das Symbol  markierten

Klemme neben der Eingangsklemmenleiste.

Verbinden Sie die Metallkonstruktion des Elektrogeräts mit einem Potenzialausgleich. Verbinden Sie den Leiter mit der durch das Symbol  markierten Klemme an der Außenseite des Gerätebodens.

ANSCHLUSS AN DIE WASSERLEITUNG

Das Gerät ist mit Trinkwasser zu versorgen. Der Wasserdruck muss zwischen 150 kPa und 300 kPa betragen. Verwenden Sie einen Druckminderer, falls der Versorgungsdruck höher als der angegebene Höchstdruck sein sollte.

Schalten Sie dem Gerät einen mechanischen Filter und einen Absperrhahn an einer leicht zugänglichen Stelle vor.

Reinigen Sie vor dem Anschluss des Filters und des Geräts die Anschlussrohre, um etwaige Eisenschlacken zu entfernen.

Verschließen Sie die unbenutzten Anschlüsse mit einem hermetischen Verschluss.

Stellen Sie nach dem Anschluss sicher, dass keine Undichtigkeiten an den Verbindungsstellen vorliegen.

ANSCHLUSS AN DIE WASSERABFLÜSSE

Die Abflussleitungen müssen aus bis zu 100 °C hitzebeständigen Materialien gefertigt sein. Der Geräteboden darf nicht dem vom Warmwasserablauf erzeugten Schwaden ausgesetzt werden.

Legen Sie deshalb unter dem Abflusshahn der Töpfe und gegenüber den Kippbratpfannen einen Bodenablaufschaft mit Gitter und Siphon an.



8. UMSTELLUNG AUF EINE ANDERE GASART

In der Tabelle TAB1 sind angegeben:

- welche Gasarten für den Gerätebetrieb in Frage kommen.
- die Düsen und die Einstellungen für jede der verwendbaren Gasarten.

Die in Tabelle TAB1 für die Düsen angegebene Nummer ist am Düsenkorpus eingepägt.

Zur Anpassung des Geräts an die Gasart, mit der es effektiv betrieben wird, die Anweisungen von Tabelle TAB1 befolgen und die nachstehenden Eingriffe vornehmen:

- Die Düse des Hauptbrenners ersetzen (UM).
- Den Luftregler des Hauptbrenners im Abstand A anbringen.
- Die Düse des Zündbrenners ersetzen (UP).
- Die Luftregelung des Zündbrenners vornehmen (falls erforderlich).
- Die Düse der Kleinststellung des Gasschaltknobels ersetzen (Um).
- Versetzen Sie das Gerät mit dem auf den neuen Gasbetrieb hinweisenden Aufkleber.
- Düsen und Aufkleber sind im Lieferumfang des Geräts enthalten.

GASKOCHMULDE

ERSATZ DER HAUPTBRENNERDÜSE

Bedienfeld entfernen.

Entfernen Sie die Grills, Becken und Brenner.

Bauen Sie die Düse UM aus und ersetzen Sie sie durch die mit der in Tabelle TAB1 angegebenen Düse.

Die Düse UM wieder fest verschrauben.

Sämtliche Teile wieder einbauen. In umgekehrter Reihenfolge wie beim Ausbau vorgehen.

ERSATZ DER KLEINSTELLSCHRAUBE

Bedienfeld entfernen.

Bauen Sie die Düse UM aus und ersetzen Sie sie durch die mit der in Tabelle TAB1 angegebenen Düse.

Die Düse UM wieder fest verschrauben.

Sämtliche Teile wieder einbauen. In umgekehrter Reihenfolge wie beim Ausbau vorgehen.

GASGLUHPLATTENHERD

ERSETZEN DER DÜSE UND DER HAUPTBRENNER REGULIERUNG DER PRIMÄRLUFT

Bedienfeld entfernen.

Bauen Sie die Düse UM aus und ersetzen Sie sie durch die mit der in Tabelle TAB1 angegebenen Düse.

Die Düse UM wieder fest verschrauben.

Lockern Sie die Schraube V und bringen Sie den Luftregler auf den in Tabelle T angegebenen Abstand A.

Die Schraube V wieder fest verschrauben.

Sämtliche Teile wieder einbauen. In umgekehrter Reihenfolge wie beim Ausbau vorgehen.

ERSATZ DER KLEINSTELLSCHRAUBE

Bedienfeld entfernen.

Bauen Sie die Düse UM aus und ersetzen Sie sie durch die mit der in Tabelle TAB1 angegebenen Düse.

Die Düse UM wieder fest verschrauben.

Sämtliche Teile wieder einbauen. In umgekehrter Reihenfolge wie beim Ausbau vorgehen.

ERSATZ DER ZUNDBRENNERDÜSE

Nehmen Sie das Bedienfeld und die internen Schutzvorrichtungen ab.

Schrauben Sie das Anschlussstück R aus.

Bauen Sie die Düse UP aus und ersetzen Sie sie durch die in der Tabelle TAB1 angegebene Düse.

Das Anschlussstück R wieder fest verschrauben.

Sämtliche Teile wieder einbauen.

Nach, in umgekehrter Reihenfolge, die Reihenfolge für ihre Aufhebung eingesetzt.

GASOFEN

ERSETZEN DER DÜSE UND DER HAUPTBRENNER REGULIERUNG DER PRIMÄRLUFT

Öffnen Sie die Backofentür.

Entfernen Sie die Sohle die schützende Fliese

Lockern Sie die Schraube V.

Zerlegen der Düse UM

Die Düse UM wieder fest verschrauben.

Platzieren Sie die Luft-Anpassung mit dem Abstand, der in der Tabelle TAB1 geschrieben ist

Die Schraube V wieder fest verschrauben.

Sämtliche Teile wieder einbauen. In umgekehrter Reihenfolge wie beim Ausbau vorgehen.

ERSATZ DER KLEINSTELLSCHRAUBE

Bedienfeld entfernen.

Bauen Sie die Düse UM aus und ersetzen Sie sie durch die mit der in Tabelle TAB1 angegebenen Düse.

Die Düse UM wieder fest verschrauben.

Sämtliche Teile wieder einbauen. In umgekehrter Reihenfolge wie beim Ausbau vorgehen.

GAS-HOCKERKOCHER

ERSETZEN DER DÜSE UND DER HAUPTBRENNER REGULIERUNG DER PRIMÄRLUFT

Bedienfeld entfernen.

Bauen Sie die Düse UM aus und ersetzen Sie sie durch die mit der in Tabelle TAB1 angegebenen Düse.

Die Düse UM wieder fest verschrauben.

Lockern Sie die Schraube V und bringen Sie den Luftregler auf den in Tabelle T angegebenen Abstand A.

Die Schraube V wieder fest verschrauben.

Sämtliche Teile wieder einbauen. In umgekehrter Reihenfolge wie beim Ausbau vorgehen.

ERSATZ DER KLEINSTELLSCHRAUBE

Bedienfeld entfernen.

Bauen Sie die Düse UM aus und ersetzen Sie sie durch die mit der in Tabelle TAB1 angegebenen Düse.

Die Düse UM wieder fest verschrauben.

Sämtliche Teile wieder einbauen. In umgekehrter Reihenfolge wie beim Ausbau vorgehen.

ERSATZ DER ZUNDBRENNERDÜSE

Bedienfeld entfernen.

Schrauben Sie das Anschlussstück R aus.

Bauen Sie die Düse UP aus und ersetzen Sie sie durch die in der Tabelle TAB1 angegebene Düse.

Das Anschlussstück R wieder fest verschrauben. Sämtliche Teile wieder einbauen.

Nach, in umgekehrter Reihenfolge, die Reihenfolge für ihre Aufhebung eingesetzt.

9. INBETRIEBNAHME

Überprüfen Sie nach der Installation, der Anpassung an eine andere Gasart oder nach Wartungseingriffen den Gerätebetrieb. Liegen Betriebsstörungen an, können Sie im nachfolgenden Abschnitt "Abhilfe bei Betriebsstörungen" nachschlagen.

GASGERÄTE

Setzen Sie das Gerät entsprechend den Gebrauchsanleitungen und -hinweisen im Kapitel "GEBRAUCHSANLEITUNGEN" in Betrieb und kontrollieren Sie:

- den Gasversorgungsdruck (siehe nachstehenden Abschnitt).

- das vorschriftsmäßige Einschalten der Brenner und die Funktionstüchtigkeit der Wrasenabzugsanlage.

PRÜFUNG DES GASVERSORGUNGSDRUCKS

Verwenden Sie einen Druckmesser mit 0,1mbar Mindestauflösung.

Bedienfeld entfernen.

Entfernen Sie die Halteschraube vom Druckanschluss und schließen Sie den Druckmesser an.

Nehmen Sie die Messung bei Gerätebetrieb vor.



ACHTUNG! SOLLTE DER GASVERSORGUNGSDRUCK AUßERHALB DES BEREICHS DER GRENZWERTE (MIN. - MAX.) VON TABELLE TAB2 LIEGEN, MÜSSEN SIE DEN GERÄTEBETRIEB UNTERBRECHEN UND MIT DEM GASWERK RÜCKSPRACHE NEHMEN.

Trennen Sie den Druckmesser und verschrauben Sie die Halteschraube wieder fest am Druckanschluss.

GERÄTE ELECTRIC

Setzen Sie das Gerät entsprechend den Gebrauchsanleitungen und -hinweisen im Kapitel "GEBRAUCHSANLEITUNGEN" in Betrieb und kontrollieren Sie:

- die Stromwerte jeder Phase.
- das vorschriftsmäßige Einschalten der Heizelemente.

III. BEDIENUNGSANWEISUNGEN

10. HINWEISE FÜR DEN BENUTZER



LESEN SIE DIESE ANLEITUNG AUFMERKSAM DURCH. SIE ENTHÄLT WICHTIGE HINWEISE ZUR INSTALLATIONS, GEBRAUCHS-UND WARTUNGSSICHERHEIT DES GERÄTS. DER GERÄTEHERSTELLER IST NICHT HAFTBAR FÜR EVENTUELLE SCHÄDEN, DIE DURCH MISSACHTUNG DER NACHSTEHENDEN PFLICHTEN VERURSACHT WERDEN.



Fordern Sie Kundendienstleistungen nur bei den vom Hersteller autorisierten Servicecentern an und verlangen Sie Originalersatzteile.

Das Gerät sollte zumindest zwei Mal jährlich gewartet werden. Wir raten zum Abschluss eines Wartungsvertrags.

Das Gerät ist für den gewerblichen Gebrauch durch geschultes Personal bestimmt.

Das Gerät dient zum Garen von Lebensmitteln gemäß den Gebrauchshinweisen. Jeder davon abweichende Gebrauch gilt als zweckwidrig.

Vermeiden Sie, das Gerät über längere Zeit hin leer zu betreiben. Heizen Sie das Gerät erst unmittelbar vor dem Gebrauch vor.

Überwachen Sie das Gerät während des Betriebs.

Schließen Sie bei Defekten oder Betriebsstörungen den Gasabsperrhahn und/oder unterbrechen Sie die Stromversorgung am Hauptschalter, die beide dem Gerät vorgeschaltet sind.

Beachten Sie bei der Reinigung die Anweisungen im Kapitel "REINIGUNGSANWEISUNGEN".



BEWAHREN SIE KEINE ENTZÜNDBAREN STOFFE IN NÄHE DES GERÄTS AUF. BRANDGEFAHR.

Verdecken Sie die am Gerät vorhandenen Belüftungsschlitze und Abflusöffnungen nicht. Nehmen Sie keine unerlaubten Änderungen an den Gerätekomponenten vor.

Bewahren Sie diese Anleitung an einem sicheren und bekannten Ort auf, damit sie während der Nutzungsdauer des Geräts eingesehen werden kann.

Installation und Wartung des Geräts sind durch qualifiziertes und vom Hersteller autorisiertes Personal entsprechend den einschlägigen Sicherheitsbestimmungen und diesen Anleitungen vorzunehmen.

Wartung und Umstellung auf einen anderen Gasbetrieb des Geräts sind durch qualifiziertes und vom Hersteller autorisiertes Personal entsprechend den einschlägigen Sicherheitsbestimmungen und diesen Anleitungen vorzunehmen.

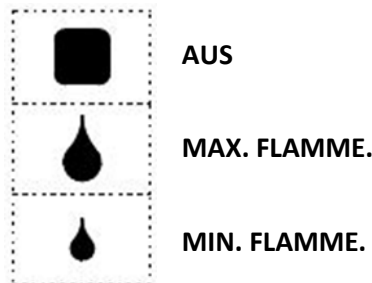
11. GEBRAUCH DER GASKOCHMULDE

Das Gerät ist zum Garen von Lebensmitteln in Töpfen und Pfannen bestimmt.

Stellen Sie sicher, dass die Flammenkränze korrekt in ihren Aufnahmen sitzen.

EIN- UND AUSSCHALTEN DER BRENNER

Der Hebel des Gasahns hat folgende Betriebsstellungen:



EINSCHALTEN DES HAUPTBRENNERS

Drehen Sie den Knopf von position "on" in die position "off" um die Haupt-Brenner einzuschalten. Zum Erhalt der Mindestregelung den Bedienknopf von der Position "max. Flamme" auf die Position "min. Flamme" drehen.

AUSSCHALTEN

Drehen Sie den Knopf in die position "off" um die Haupt-Brenner auszuschalten.

12. GEBRAUCH DES GLUHPLATTENHERDES/WÄRME-PLATTEN

Das Gerät ist zum Garen von Lebensmitteln in Töpfen und Pfannen bestimmt.

Die höchsten Temperaturen erreicht die Platte in ihrer Mitte.

Stellen Sie sicher, dass der Flammenkranz des Brenners korrekt in seiner Aufnahme sitzt. Heben Sie den Mittelring der Platte an.

EIN- UND AUSSCHALTEN DER BRENNER

Der Hebel des Gasahns hat folgende Betriebsstellungen:



EINSCHALTEN DES ZÜNDBRENNERS

Den Bedienknopf eindrücken und auf „Zündung Zündbrenner“ drehen.

Den Knebel ganz eindrücken und den Zündbrenner mit der Taste des Piezozünders einschalten.

Halten Sie den Bedienknebel für ca. 20 Sekunden gedrückt und lassen Sie ihn dann los. Erlischt die Zündflamme, den Vorgang wiederholen.

Sie können die Zündflamme durch das Sichtfenster an der Bedienblende sehen.

Sie können den Zündbrenner mit einer kleinen Flamme zünden. Heben Sie den Mittelring der Platte an.

EINSCHALTEN DES HAUPTBRENNERS

Zur Zündung des Hauptbrenners den Bedienknopf von „Zündung Zündbrenner“ auf „max. Flamme“ drehen.

Zum Erhalt der Mindestregelung den Bedienknopf von der Position „max. Flamme“ auf die Position „min. Flamme“ drehen.

AUSSCHALTEN

Den Bedienknopf von der Position „max. Flamme“ oder „min. Flamme“ auf „Zündung Zündbrenner“ drehen.

Zum Abschalten des Zündbrenners den Knopf etwas eindrücken und auf „Aus“ drehen.

13. VERWENDUNG VOM GAS OFEN (SERIE 600)

Das Gerät ist zum Garen von Lebensmitteln auf den mitgelieferten Einschubrosten bestimmt.

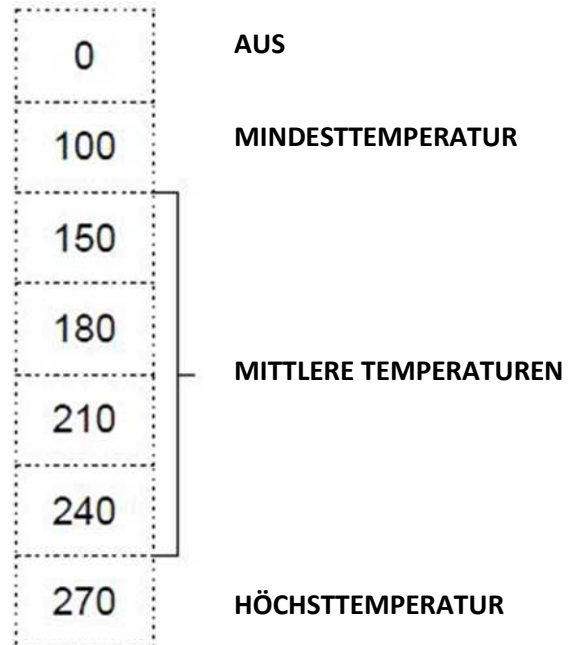
Lassen Sie die Tür während des Ofenbetriebs nicht geöffnet (auch nicht spaltweise).



ACHTUNG: DER GRILL FUNKTIONIERT NICHT, WENN DER GAS-FUNKTION DES OFEN EINGEFÜGT IST.

EIN- UND AUSSCHALTEN DER BRENNER

Der Schaltknebel des Thermostats hat folgende Betriebsstellungen:



EINSCHALTEN DES HAUPTBRENNERS

Drehen Sie den Bedienknebel auf die der gewählten Gartemperatur entsprechenden Position.

Drücken Sie den Knopf für 5-10 Sekunden. Der Brenner wird elektrisch gezündet.

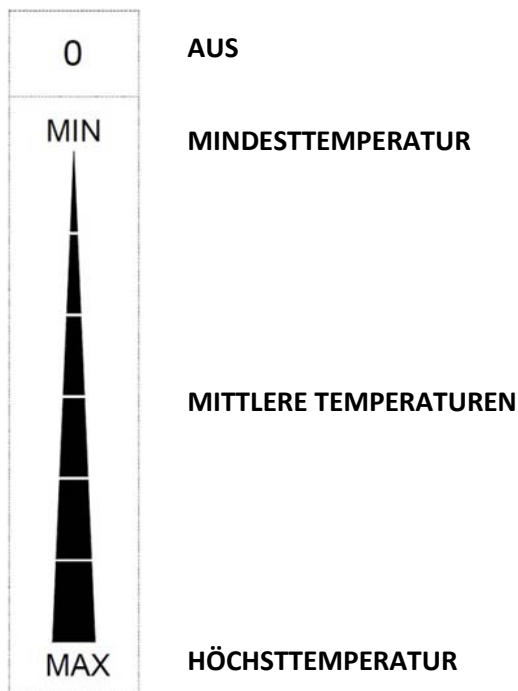
Wenn der Brenner nicht entzündet wird, öffnen Sie die Backofentür für 1 Minute und wiederholen Sie den Vorgang.

AUSSCHALTEN

Drehen Sie den Knopf in die position "off" um die Haupt-Brenner auszuschalten

EINSCHALTEN UND WEG VON DER ELEKTROGRILL

Der Schaltknebel des Energiereglers hat folgende Betriebsstellungen:



EINSCHALTEN DER ELEKTROGRILL

Drehen Sie den Knebel des Energiereglers in eine beliebige Position zwischen "MIN" und "MAX".
Das gelbe Licht und das Ofen-Licht schalten sie ein

AUSSCHALTEN

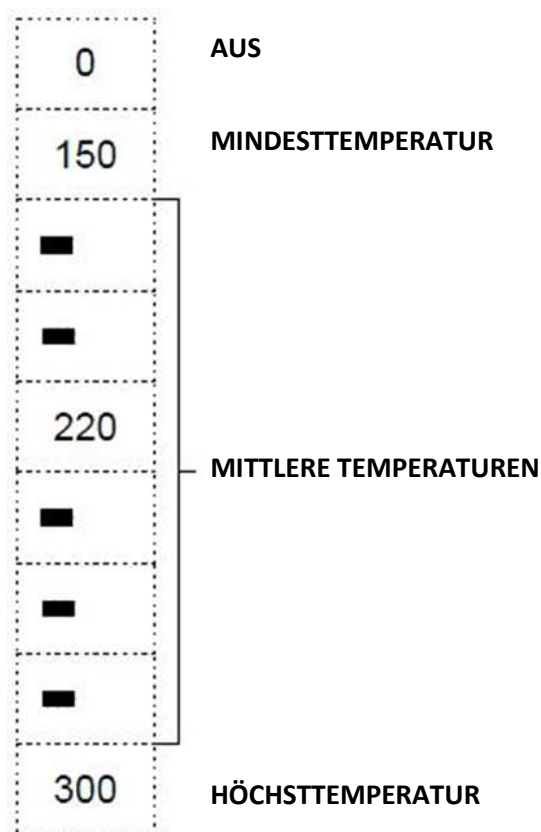
Drehen Sie den Knebel des Energiereglers auf " Aus " .

14. VERWENDUNG VON GAS-BACKOFEN (SERIE 650)

Das Gerät ist zum Garen von Lebensmitteln auf den mitgelieferten Einschubrosten bestimmt.
Lassen Sie die Tür während des Ofenbetriebs nicht geöffnet (auch nicht spaltweise).

EIN- UND AUSSCHALTEN DER BRENNER

Der Knopf des das Thermostatventil hat folgenden Positionen:



EINSCHALTEN DES HAUPTBRENNERS

Drehen Sie den Bedienknebel auf die der gewählten Gartemperatur entsprechenden Position.

Drücken Sie den Knopf und drücken Sie gleichzeitig die Piezozünder. Halten Sie für 15-20 Sekunden und lassen Sie dann; der Brenner bleibt auf
Wiederholen Sie diesen Vorgang wenn es schaltet sich aus

AUSSCHALTEN

Drehen Sie den Knopf in die position "off" um die Haupt-Brenner auszuschalten

15. VERWENDUNG VON GAS- HOCKERKOCHER

Das Gerät ist zum Garen von Lebensmitteln in Töpfen und Pfannen bestimmt.

Stellen Sie sicher, dass die Flammenkränze korrekt in ihren Aufnahmen sitzen.

EIN- UND AUSSCHALTEN DER BRENNER

Der Hebel des Gashahns hat folgende Betriebsstellungen:



EINSCHALTEN DES ZÜNDBRENNERS

Den Bedienknopf eindrücken und auf „Zündung Zündbrenner“ drehen.

Den Knebel ganz eindrücken und den Zündbrenner mit einer kleinen Flamme zünden.

Halten Sie den Bedienknebel für ca. 20 Sekunden gedrückt und lassen Sie ihn dann los. Erlischt die Zündflamme, den Vorgang wiederholen.

EINSCHALTEN DES HAUPTBRENNERS

Zur Zündung des Hauptbrenners den Bedienknopf von „Zündung Zündbrenner“ auf „max. Flamme“ drehen.

Zum Erhalt der Mindestregelung den Bedienknopf von der Position „max. Flamme“ auf die Position „min. Flamme“ drehen.

AUSSCHALTEN

Den Bedienknopf von der Position „max. Flamme“ oder „min. Flamme“ auf „Zündung Zündbrenner“ drehen.

Zum Abschalten des Zündbrenners den Knopf etwas eindrücken und auf „Aus“ drehen.

16. VERWENDUNG VON ELEKTROHERD/ELEKTRISCHER HOCKERKOCHER

Das Gerät ist zum Garen von Lebensmitteln in Töpfen und Pfannen bestimmt.

Verwenden Sie Töpfe mit flachem Boden.

Lassen Sie die Kochplatte nicht ohne oder mit leerem Topf eingeschaltet.

Gießen Sie keine kalte Flüssigkeiten über die heiße Platte.

EIN- UND AUSSCHALTEN DER BEHEIZUNG

Der Knebel des Wahlschalters hat folgende Betriebsstellungen:

0	AUS
1	MINDESTTEMPERATUR
2	
3	MITTLERE TEMPERATUREN
4	
5	
6	HÖCHSTTEMPERATUR

EINSCHALTEN

Drehen Sie den Knebel des Wahlschalters auf die gewünschte Betriebsstellung.

Die grüne Kontrolllampe leuchtet auf.

Das Aufleuchten der grünen Kontrolllampe „A“ zeigt an, dass die entsprechende Platte eingeschaltet ist.

AUSSCHALTEN

Drehen Sie den Knebel des Wahlschalters auf " 0 " .

Die grüne Kontrolllampe erlischt.

17. VERWENDUNG DES HEIBLUFT OFEN

Das Gerät ist zum Garen von Lebensmitteln auf den mitgelieferten Einschubrosten bestimmt.

Lassen Sie die Tür während des Ofenbetriebs nicht geöffnet (auch nicht spaltweise).

Das Gerät verfügt über einen von Hand rückstellbaren Sicherheitsthermostat, der die Beheizung unterbricht, wenn die Betriebstemperatur die zulässige Höchsttemperatur überschreitet.

EIN- UND AUSSCHALTEN DER BEHEIZUNG

Der Schaltknebel des Thermostats hat folgende

Betriebsstellungen:

0	AUS
50	MINDESTTEMPERATUR
100	
150	MITTLERE TEMPERATUREN
200	
250	
300	HÖCHSTTEMPERATUR

EINSCHALTEN

Drehen Sie den Knebel des Thermostats auf die der gewählten Gartemperatur entsprechenden Position.

Die gelbe und die grüne Lampe schalten sich ein

Das Erlöschen der gelben Kontrolllampe zeigt an, dass die gewählte Temperaturstufe erreicht wurde.

Die grüne Lampe zeigt an, dass das Gerät unter Spannung ist

AUSSCHALTEN

Drehen Sie den Bedienknebel des Thermostats auf "0".

Die gelbe und die grüne Lampe schalten sich aus

18. VERWENDUNG VON MULTIFUNKTIONS-ELEKTROBACKOFEN (SERIE 600)

Das Gerät ist zum Garen von Lebensmitteln auf den mitgelieferten Einschubrosten bestimmt.

Lassen Sie die Tür während des Ofenbetriebs nicht geöffnet (auch nicht spaltweise).

Das Gerät verfügt über einen von Hand rückstellbaren Sicherheitsthermostat, der die Beheizung unterbricht, wenn die Betriebstemperatur die zulässige Höchsttemperatur überschreitet.

EIN- UND AUSSCHALTEN DER BEHEIZUNG

Der Betrieb des Elektroofens wird über zwei Schaltknebel (zur Wahl der Heizart und der Gartemperatur) geregelt. Eine gelbe Kontrolllampe zeigt den Betrieb der Heizelemente an.

Der Knebel des Wahlschalters hat folgende Betriebsstellungen:

0	AUS
	BACKOFEN LICHTER
	OBER- UND UNTERHITZE
	OBEREN UND UNTEREN HEIZELEMENTE MIT LÜFTER
	GRILL WIDERSTAND
	GRILL WIDERSTAND MIT LÜFTER

Der Schaltknebel des Thermostats hat folgende Betriebsstellungen:

0	AUS
50	MINDESTTEMPERATUR
100	
150	MITTLERE TEMPERATUREN
200	
250	
MAX	HÖCHSTTEMPERATUR

EINSCHALTEN

Drehen Sie den Knebel des Wahlschalters auf die gewünschte Betriebsstellung.

Drehen Sie den Knebel des Thermostats auf die der gewählten Gartemperatur entsprechenden Position.

Die gelbe und die grüne Lampe schalten sich ein

Das Erlöschen der gelben Kontrolllampe zeigt an, dass die gewählte Temperaturstufe erreicht wurde. Die grüne Lampe zeigt an, dass das Gerät unter Spannung ist

AUSSCHALTEN

Drehen Sie den Bedienknebel des Thermostats auf " 0 " .

Drehen Sie den Knebel des Wahlschalters auf " 0 " .

19. STILLSTANDZEITEN

Gehen Sie vor einer geplanten Stillstandzeit des Geräts wie folgt vor:

- Reinigen Sie das Gerät gründlich.
- Wischen Sie sämtliche Edelstahlflächen mit einem kurz zuvor in Vaselineöl getränkten Tuch ab, um einen Schutzfilm aufzubringen.
- Legen Sie die Deckel nicht auf die Töpfe.
- Schließen Sie die dem Gerät vorgeschalteten Haupthähne oder -schalter.

Gehen Sie nach einer längeren Stillstandzeit des Geräts wie folgt vor:

- Kontrollieren Sie das Gerät, bevor Sie es wieder in Betrieb nehmen.
- Setzen Sie die Elektrogeräte bei Mindesttemperatur für wenigstens 60 Minuten in Betrieb.

IV. REINIGUNGSANLEITUNGEN

20. REINIGUNGSHINWEISE



LESEN SIE DIESE ANLEITUNG AUFMERKSAM DURCH. SIE ENTHÄLT WICHTIGE HINWEISE ZUR INSTALLATIONS, GEBRAUCHS-UND WARTUNGSSICHERHEIT DES GERÄTS. DER GERÄTEHERSTELLER IST NICHT HAFTBAR FÜR EVENTUELLE SCHÄDEN, DIE DURCH MISSACHTUNG DER NACHSTEHENDEN PFLICHTEN VERURSACHT WERDEN. VOR DURCHFÜHRUNG JEDES EINGRIFFS MUSS DIE EVENTUELL VORHANDENE STROMZUFUHR ZUM GERÄT GETRENNT WERDEN.



Reinigen Sie täglich die Außenflächen aus mattiertem Edelstahl, die Flächen der Garbecken

und der Kochplatten.

Beauftragen Sie einen autorisierten Techniker mindestens zwei Mal im Jahr mit der Reinigung des Geräteinneren.

Verwenden Sie keine korrosiven Produkte, um den Boden unter dem Gerät zu reinigen.

Waschen Sie das Gerät nicht mit Spritzwasser oder Hochdruckwasserstrahlen.

MATTIERTE EDELSTAHLFLÄCHEN

Reinigen Sie die Flächen mit einem Tuch oder Schwamm und verwenden Sie dazu Wasser und handelsübliche Reiniger ohne Scheuermittel. Wischen Sie mit dem Tuch im Verlauf der Mattierung. Mehrmals nachspülen und anschließend sorgfältig abtrocknen.

Keine Kratzschwämme oder andere Metallgegenstände verwenden.

Verwenden Sie keine chemischen Produkte, die Chlor enthalten.

Verwenden Sie keine spitzen Gegenstände, die die Flächen einritzen und beschädigen können.

ELEKTROPLATTEN

Reinigen Sie die Flächen mit einem feuchten Tuch.

Für einige Minuten in Betrieb setzen, um das Trocknen zu beschleunigen.

Tragen Sie auf die Flächen eine dünne Schutzschicht Speiseöl auf.

GLUHPLATTENHERD

Reinigen Sie die Flächen mit einem feuchten Tuch.

Für einige Minuten in Betrieb setzen, um das Trocknen zu beschleunigen.

Tragen Sie auf die Flächen eine dünne Schutzschicht Speiseöl auf.

V. WARTUNGSANLEITUNGEN

21. HINWEISE FÜR DEN WARTUNGSTECHNIKER



DER GERÄTEHERSTELLER IST NICHT HAFTBAR FÜR EVENTUELLE SCHÄDEN, DIE DURCH MISSACHTUNG DER NACHSTEHENDEN PFLICHTEN VERURSACHT WERDEN.

Gerätemodell feststellen. Das Modell ist an der Verpackung und auf dem Schild der Gerätedaten

vermerkt.

Installieren Sie das Gerät nur in gut belüfteten Räumen.

Verdecken Sie die am Gerät vorhandenen Belüftungsschlitze und Abfl ussöffnungen nicht.

Nehmen Sie keine unerlaubten Änderungen an den Gerätekomponenten vor.

Wartung und Umstellung auf einen anderen Gasbetrieb des Geräts sind durch qualifiziertes und vom Hersteller autorisiertes Personal entsprechend den einschlägigen Sicherheitsbestimmungen und diesen Anleitungen vorzunehmen.

22. UMSTELLUNG AUF EINE ANDERE GASART

Siehe Kapitel "Installationsanleitungen".

23. INBETRIEBNAHME

Siehe Kapitel "Installationsanleitungen".

24. ABHILFE BEI BETRIEBSSTÖRUNGEN

GASKOCHMULDE

DER HAUPT BRENNERE LÄSST SICH NICHT EINSCHALTEN

Mögliche Ursachen:

- Unzureichender Gasversorgungsdruck.
- Die Leitung oder die Düse sind verstopft.
- Der Gashahn oder das Gasventil sind defekt.
- Der Brenner ist defekt (Gasaustrittsöffnungen verstopft).

GASGLUHPLATTENHERD

DER ZÜNDBRENNER SCHALTET SICH NICHT EIN.

Mögliche Ursachen:

- Unzureichender Gasversorgungsdruck.
- Die Leitung oder die Düse sind verstopft.
- Der Gashahn oder das Gasventil sind defekt.
- Die Zündkerze ist falsch angeschlossen oder defekt.
- Der Zünder oder das Zündkerzenkabel sind defekt.

DER ZÜNDBRENNER BLEBT NICHT EINGESCHALTET ODER ERLISCHT WÄHREND DES GEBRAUCHS.

Mögliche Ursachen:

- Unzureichender Gasversorgungsdruck.
- Der Gashahn oder das Gasventil sind defekt.
- Das Thermoelement ist defekt oder wird nicht genügend erhitzt.
- Das Thermoelement ist nicht korrekt an den Gasschaltknebel oder das Gasventil angeschlossen.
- Der Bedienknebel des Gashahns oder des Gasventils wird nicht genügend gedrückt.

DER HAUPTBRENNER SCHALTET SICH (AUCH BEIM EINGESCHALTETEM ZÜNDBRENNER) NICHT EIN.

Mögliche Ursachen:

- Unzureichender Gasversorgungsdruck.
- Die Leitung oder die Düse sind verstopft.
- Der Gashahn oder das Gasventil sind defekt.
- Der Brenner ist defekt (Gasaustrittsöffnungen verstopft).

GASOFEN

DER HAUPT BRENNERE LÄSST SICH NICHT EINSCHALTEN

Mögliche Ursachen:

- Unzureichender Gasversorgungsdruck.
- Die Leitung oder die Düse sind verstopft.
- Der Gashahn oder das Gasventil sind defekt.
- Der Brenner ist defekt (Gasaustrittsöffnungen verstopft).

DIE HEIZLEISTUNG LÄSST SICH NICHT REGULIEREN.

Mögliche Ursachen:

- Der Gashahn ist defekt.

GAS-HOCKERKOCHER

DER ZÜNDBRENNER SCHALTET SICH NICHT EIN.

Mögliche Ursachen:

- Unzureichender Gasversorgungsdruck.
- Die Leitung oder die Düse sind verstopft.
- Der Gashahn oder das Gasventil sind defekt.
- Die Zündkerze ist falsch angeschlossen oder defekt.
- Der Zünder oder das Zündkerzenkabel sind defekt.

DER ZÜNDBRENNER BLEBT NICHT EINGESCHALTET ODER ERLISCHT WÄHREND DES GEBRAUCHS.

Mögliche Ursachen:

- Unzureichender Gasversorgungsdruck.
- Der Gashahn oder das Gasventil sind defekt.
- Das Thermoelement ist defekt oder wird nicht genügend erhitzt.
- Das Thermoelement ist nicht korrekt an den Gasschaltknebel oder das Gasventil angeschlossen.
- Der Bedienknebel des Gashahns oder des Gasventils wird nicht genügend gedrückt.

DER HAUPTBRENNER SCHALTET SICH (AUCH BEIM EINGESCHALTETEM ZÜNDBRENNER) NICHT EIN.

Mögliche Ursachen:

- Unzureichender Gasversorgungsdruck.
- Die Leitung oder die Düse sind verstopft.
- Der Gashahn oder das Gasventil sind defekt.
- Der Brenner ist defekt (Gasaustrittsöffnungen verstopft).

ELEKTROHERD/ELEKTRISCHER HOCKERKOCHER

DIE PIATTE ERHITZT SICH NICHT.

Mögliche Ursachen:

- Die Platte ist defekt.

ELEKTROOFEN

DAS GERÄT HEIZ NICHT.

Mögliche Ursachen:

- Der Thermostat des Temperaturreglers ist defekt.
- Die Heizelemente sind defekt.
- Der Sicherheitsthermostat wurde ausgelöst.

DIE HEIZLEISTUNG LÄSST SIE SICH NICHT REGULIEREN.

Mögliche Ursachen:

- Der Thermostat des Temperaturreglers ist defekt.

25. ERSATZ VON BAUTEILEN

HINWEISE FÜR DEN ERSATZ VON BAUTEILEN



DEN GASABSPERRHAHN UND/ODER UNTERBRECHEN SIE DIE STROMVERSORGUNG AM HAUPTSCHALTER, DIE BEIDE DEM GERÄT VORGESCHALTET SIND. STELLEN SIE NACH DEM ERSATZ EINER KOMPONENTE DES GASKREISES SICHER, DASS AN IHREN ANSCHLUSSSTELLEN AN DEN KREIS KEINE UNDICHTIGKEITEN VORLIEGEN. VOR DURCHFÜHRUNG JEDES EINGRIFFS MUSS DIE EVENTUELL VORHANDENE STROMZUFUHR ZUM GERÄT GETRENNT WERDEN. STELLEN SIE NACH DEM ERSATZ EINER KOMPONENTE DES STROMKREISES IHREN KORREKTEN ANSCHLUSS AN DIE VERKABELUNG SICHER.

GASKOCHMULDE

ERSATZ DES GASHAHNS.

- Bedienfeld entfernen.
- Entfernen und ersetzen Sie die Komponente.
- Sämtliche Teile wieder einbauen. In umgekehrter Reihenfolge wie beim Ausbau vorgehen.

GASGLUHPLATTENHERD

ERSATZ DES GASHAHNS UND DES PIEZOZUNDERS.

- Bedienfeld entfernen.
- Entfernen und ersetzen Sie die Komponente.
- Sämtliche Teile wieder einbauen. In umgekehrter Reihenfolge wie beim Ausbau vorgehen.

ERSATZ DES HAUPTBRENNERS, DES ZÜNDBRENNERS, DES THERMOELEMENTS UND DER ZÜNDKERZE.

- Nehmen Sie die Glühplatte ab.
- Nehmen Sie das Bedienfeld und die internen Schutzvorrichtungen ab.
- Entfernen und ersetzen Sie die Komponente.
- Sämtliche Teile wieder einbauen. In umgekehrter Reihenfolge wie beim Ausbau vorgehen.

GASOFEN

ERSATZUNG DES THERMOSTATVENTIL UND DES PIEZOZÜNDER

- Bedienfeld entfernen.
- Die Kugel aus ihrem Sitz an der Ofenseite nehmen.
- Entfernen und ersetzen Sie die Komponente.
- Sämtliche Teile wieder einbauen. In umgekehrter Reihenfolge wie beim Ausbau vorgehen.

ERSATZ DES BRENNERS

- Öffnen Sie die Backofentür.
- Bauen Sie die Sohle und die Haube über dem Brenner ab.
- Entfernen und ersetzen Sie die Komponente.
- Sämtliche Teile wieder einbauen. In umgekehrter Reihenfolge wie beim Ausbau vorgehen.

ERSATZ DES THERMOELEMENTS

- Bedienfeld entfernen.
- Öffnen Sie die Backofentür.
- Bauen Sie die Sohle und die Haube über dem Brenner ab.
- Entfernen und ersetzen Sie die Komponente.
- Sämtliche Teile wieder einbauen. In umgekehrter Reihenfolge wie beim Ausbau vorgehen.

GAS-HOCKERKOCHER

ERSATZ DES GASHAHNS.

- Bedienfeld entfernen.
- Entfernen und ersetzen Sie die Komponente.
- Sämtliche Teile wieder einbauen. In umgekehrter Reihenfolge wie beim Ausbau vorgehen.

ERSATZ DES HAUPTBRENNERS, DES ZÜNDBRENNERS, DES THERMOELEMENTS UND DER ZÜNDKERZE.

- Bedienfeld entfernen.
- Entfernen und ersetzen Sie die Komponente.
- Sämtliche Teile wieder einbauen. In umgekehrter Reihenfolge wie beim Ausbau vorgehen.

ELEKTROHERD/ELEKTRISCHER HOCKERKOCHER

ERSATZ DES WAHLSCHALTERS UND DER KONTROLLLAMPE

- Bedienfeld entfernen.
- Entfernen und ersetzen Sie die Komponente.
- Sämtliche Teile wieder einbauen. In umgekehrter Reihenfolge wie beim Ausbau vorgehen.

ERSATZ DER KOCHPLATTE.

- Nehmen Sie das Bedienfeld und die internen Schutzvorrichtungen ab.
- Das Teil ausbauen und ersetzen. Verschrauben Sie am neuen Teil das dem ersetzten Teil abgenommene Distanzstück M8.
- Sämtliche Teile wieder einbauen. In umgekehrter Reihenfolge wie beim Ausbau vorgehen.

ELEKTROOFEN

ERSATZ DES WAHLSCHALTERS UND DER KONTROLLLAMPE

- Bedienfeld entfernen.
- Entfernen und ersetzen Sie die Komponente.
- Sämtliche Teile wieder einbauen. In umgekehrter Reihenfolge wie beim Ausbau vorgehen.

ERSATZ DES BETRIEBS- UND DES SICHERHEITSTHERMOSTAT

- Bedienfeld entfernen.
- Die Kugel aus ihrem Sitz an der Ofenseite nehmen.
- Entfernen und ersetzen Sie die Komponente.
- Sämtliche Teile wieder einbauen. In umgekehrter Reihenfolge wie beim Ausbau vorgehen.

ERSATZ DES HEIZELEMENTS

- Den Ofenboden entfernen (nur bei den unteren Heizelementen).
- Die Schraube, mit der das Heizelement am Ofen befestigt ist, lösen und das Heizelement um ca. 10 cm herausziehen.
- Sämtliche Teile wieder einbauen. In umgekehrter Reihenfolge wie beim Ausbau vorgehen.

26. REINIGUNG DER INNEREN GERÄTETEILE

Kontrollieren Sie den Zustand der inneren

Geräteteile.

Entfernen Sie die Rückstände etwaiger Unreinheiten.

Prüfen und reinigen Sie das Wrasenabzugssystem.

- Heizelement
- Kontrolllampe

27. HAUPTKOMPONENTEN

GASKOCHMULDE

- GASHAHN
- HAUPTBRENNER
- Zündbrenner
- Thermoelement

GASGLUHPLATTENHERD

- GASHAHN
- HAUPTBRENNER
- Zündbrenner
- Thermoelement
- Zündkerze
- Piezozünder

GASOFEN

- GASHAHN
- HAUPTBRENNER
- Zündbrenner
- Thermoelement
- Zündkerze
- Piezozünder

GAS-HOCKERKOCHER

GASHAHN
HAUPTBRENNER
Zündbrenner
Thermoelement
Zündkerze

ELEKTROKOCHEFELD

- Wahlschalter
- Heizplatte
- Kontrolllampe

ELEKTROOFEN

- Wahlschalter
- Betriebsthermostat
- Sicherheitsthermostat

NL - INSTALLATIE - GEBRUIK - ONDERHOUD

I. ALGEMENE MEDEDELINGEN



LEES DEZE HANDLEIDING AANDACHTIG DOOR. HET GEEFT BELANGRIJKE INFORMATIE OVER DE VEILIGHEID TIJDENS DE INSTALLATIE, HET GEBRUIK EN HET ONDERHOUD VAN DE APPARATUUR.



DE NIET-NALEIVING VAN HET BOVENSTAANDE KAN DE VEILIGHEID VAN DE APPARATUUR BENADELEN.



DE FABRIKANT AANVAARDT GEEN AANSPRAKELIJKHEID VOOR SCHADE WEGENS DE NIET-NALEIVING VAN DE ONDERSTAANDE PLICHTEN.



DE ORIGINELE TAAL WAARIN HET DOCUMENT IS OPGESTELD, IS HET ITALIAANS. IN HET GEVAL VAN ONDUIDELIJKHEDEN OF TWIJFEL KUNT U HET ORIGINEEL BIJ DE FABRIKANT AANVRAGEN.



VOOR DE INSTALLATIE, PLAATSING EN/OF BEVESTIGING EN AANSLUITING OP HET ELEKTRICITEITSNET VAN DE APPARATEN ZIJN BEPAALDE MAATREGELEN VEREIST. ZIE HET DEEL "AANWIJZINGEN VOOR DE INSTALLATIE".



VOOR DE REINIGING VAN DE APPARATEN ZIJN BEPAALDE MAATREGELEN VEREIST. ZIE HET DEEL "AANWIJZINGEN VOOR DE REINIGING".



OP DE PANELEN DIE TOEGANG BIEDEN TOT DELEN ONDER SPANNING IS HET SYMBOOL "HOOGSPANNING" AANGEBRACHT.

Deze handleiding op een veilige en bekende plaats bewaren zodat ze gedurende de levensduur van de apparatuur kan worden geraadpleegd.

Deze apparatuur is ontworpen voor de bereiding van voedsel. Ze is bestemd voor een industrieel gebruik. Elk ander gebruik is oneigenlijk.

Deze apparatuur mag niet worden gebruikt door personen (met inbegrip van kinderen) met geringe lichamelijke, sensorische of geestelijke capaciteiten of die geen ervaring en kennis hebben.

Tenzij een verantwoordelijke voor hun veiligheid ze controleert of informeert over het gebruik van de apparatuur.

Laat het apparaat niet onbewaakt achter als kinderen aanwezig zijn en verzeker u ervan dat ze het apparaat niet gebruiken of ermee spelen.

Het personeel dat de apparatuur gebruikt moet worden getraind. Controleer de apparatuur tijdens het gebruik.



HOUD ONTVLAMBARE MATERIALEN BUITEN BEREIK VAN DE APPARATUUR. BRANDGEVAAR.

Installeer de apparatuur uitsluitend in voldoende geventileerde ruimten.

Door onvoldoende ventilatie ontstaat verstikkingsgevaar. Sluit het ventilatiesysteem niet af van de omgeving waarin de apparatuur is geïnstalleerd. Sluit de ventilatieopeningen van deze apparatuur en van andere apparatuur niet af.

Sluit de gaskraan en/of deactiveer de hoofdschakelaar van de elektrische voeding voor de apparatuur in het geval van een storing of defect aan de apparatuur.

De installatie en het ombouwen naar een ander gastype van de apparatuur dienen te worden verricht door gekwalificeerd en door de fabrikant erkend personeel, conform de toepasselijke veiligheidsnormen en de aanwijzingen van deze handleiding.

De onderhoud en het ombouwen naar een ander gastype van de apparatuur dienen te worden verricht door gekwalificeerd en door de fabrikant erkend personeel, conform de toepasselijke veiligheidsnormen en de aanwijzingen van deze

handleiding.

Verricht de reiniging volgens de aanwijzingen van de paragraaf "AANWIJZINGEN VOOR DE REINIGING".

1. VERWIJDERING VERPAKKING EN APPARATUUR

VERPAKKING

De verpakking is gemaakt van milieuvriendelijke materialen. De recyclebare plastic componenten zijn:

- het transparante deksel, de zakjes van de handleiding en de verstuivers (van polyethyleen - PE).
- strips (polypropyleen - PP).

APPARATUUR

Meer dan 90% van het gewicht van de apparatuur bestaat uit recyclebare metalen (roestvrij staal, aluminium plaatstaal, koper....).

De apparatuur moet conform de toepasselijke normen worden verwijderd.

Maak haar onbruikbaar alvorens haar te verwijderen.

Niet in het milieu werpen.



HET SYMBOOL VAN DE DOORGEKRUISTE AFVALBAK OP DE APPARATUUR OF OP DE VERPAKKING GEEFT AAN DAT HET PRODUCT AAN HET EINDE VAN DE NUTTIGE LEVENSDUUR GESCEIDEN MOET WORDEN INGEZAMELD.

DE GESCEIDEN INZAMELING VAN AFGEDANKTE APPARATUUR WORDT DOOR DE FABRIKANT GEORGANISEERD EN BEHEERD.

DE GEBRUIKER DIE DEZE APPARATUUR WIL AFDANKEN, MOET CONTACT OPNEMEN MET DE FABRIKANT EN DIENS SYSTEEM TOEPASSEN ZODAT DE APPARATUUR AAN HET EINDE VAN DE LEVENSDUUR GESCEIDEN KAN WORDEN INGEZAMELD.

EEN CORRECTE GESCEIDEN INZAMELING DRAAGT BIJ AAN HET VOORKOMEN VAN NEGATIEVE UITWERKINGEN OP HET MILIEU EN DE GEZONDHEID. HET BEVORDERT HET HERGEBRUIK EN/OF DE RECYCLING VAN DE MATERIALEN VAN DE APPARATUUR.

DE ILLEGALE VERWIJDERING VAN HET PRODUCT DOOR DE EIGENAAR ZAL VOLGENS DE TOEPASSELIJKE NORMEN WORDEN BESTRAFT.

2. VEILIGHEIDSINRICHTINGEN

ELEKTRISCHE OVEN

VEILIGHEIDSTHERMOSTAAT



DE FABRIKANT AANVAARDT GEEN AANSPRAKELIJKHEID VOOR SCHADE WEGENS DE NIET-NALEVING VAN DE ONDERSTAANDE Plichten.

De apparatuur is voorzien van een handmatig herstelbare veiligheidsthermostaat die de verwarming onderbreekt als de bedrijfstemperatuur de toelaatbare maximum temperatuur overschrijdt. Herstel de functionering van de apparatuur door het bedieningspaneel te openen en op de herstelknop van de thermostaat te drukken. Uitsluitend een gekwalificeerd en erkend technicus mag deze handeling verrichten.

II. AANWIJZINGEN VOOR DE INSTALLATIE

3. MEDEDELINGEN VOOR DE INSTALLATEUR



LEES DEZE HANDLEIDING AANDACHTIG DOOR. HET GEEFT BELANGRIJKE INFORMATIE OVER DE VEILIGHEID TIJDENS DE INSTALLATIE, HET GEBRUIK EN HET ONDERHOUD VAN DE APPARATUUR.



DE NIET-NALEVING VAN HET BOVENSTAANDE KAN DE VEILIGHEID VAN DE APPARATUUR BENADELEN.



DE FABRIKANT AANVAARDT GEEN AANSPRAKELIJKHEID VOOR SCHADE WEGENS DE NIET-NALEVING VAN DE ONDERSTAANDE Plichten.

Het model van de apparatuur identificeren. Op de verpakking en op het typeplaatje van de apparatuur is het model aangegeven.

Installeer de apparatuur uitsluitend in voldoende geventileerde ruimten.

De installatie en het ombouwen naar een ander gastype van de apparatuur dienen te worden verricht door gekwalificeerd en door de fabrikant erkend personeel, conform de toepasselijke

veiligheidsnormen en de aanwijzingen van deze handleiding.

De onderhoud en het ombouwen naar een ander gastype van de apparatuur dienen te worden verricht door gekwalificeerd en door de fabrikant erkend personeel, conform de toepasselijke veiligheidsnormen en de aanwijzingen van deze handleiding.

Sluit de ventilatieopeningen en de afvoeropeningen van de apparatuur niet af.

Maak de componenten van de apparatuur niet onklaar.

4. REFERENTIENORMEN EN -WETTEN

Installeer de apparatuur conform de veiligheidsnormen die in het land van kracht zijn.

5. UITPAKKEN

Controleer de staat van de verpakking. Laat de goederen door de expediteur controleren als duidelijke schade zichtbaar is.

Verwijder de verpakking.

Verwijder de beschermfolie van de externe panelen. Verwijder eventuele lijmresten met een geschikt oplosmiddel.

6. PLAATSING

Het installatieschema voorin deze handleiding bevat de buitenafmeting van de apparatuur en de positie van de aansluitingen.

De apparatuur kan apart of samen met andere apparatuur uit hetzelfde assortiment worden geïnstalleerd.

De apparatuur kan niet worden ingebouwd.

Plaats de apparatuur altijd minstens 10 cm bij omringende wanden vandaan.

De wanden, scheidingswanden, keukenkasten, sierelementen enz. waar het apparaat in de buurt wordt geplaatst, moeten van onbrandbare materialen zijn gemaakt.

Als het tegendeel waar is moeten ze worden bekleed met passend onbrandbaar, thermisch isolerend materiaal.

Plaats de apparatuur waterpas met behulp van de stelpootjes.

MONTAGE VAN DE APPARATUUR OP HET

ONDERSTEL EN OP EEN BRUG

Volg de aanwijzingen die met her gebruikte type steun worden geleverd.

ROOKAFVOERSYSTEEM

Leg de rookafvoer aan volgens het " type" apparatuur. Op het typeplaatje is het type apparatuur aangegeven.

APPARATUUR TYPE "A1"

Plaats de apparatuur type " A1 " onder een afzuigkap om het afzuigen van de rook en de dampen te waarborgen.

APPARATUUR TYPE "B21"

Plaats de apparatuur type "B21" onder een afzuigkap.

APPARATUUR TYPE "B11"

Monteer de geschikte schoorsteen op de apparatuur type " B11 ". Vraag dit aan bij de fabrikant van de apparatuur. Volg de montageaanwijzingen die samen met de schoorsteen worden geleverd.

Sluit een buis, bestendig tegen een temperatuur van 300°C, met een diameter van 150/155 mm aan op de schoorsteen.

Voer hem naar buiten of naar een schoorsteen waarvan de efficiëntie is vastgesteld. De buis mag niet langer zijn dan 3 meter.

7. AANSLUITINGEN

Het installatieschema achterin deze handleiding bevat de positie en de afmeting van de aansluitingen.

AANSLUITING OP GASLEIDING

Verifieer of de apparatuur kan functioneren met het gastype waarvan het wordt voorzien. Controleer de gegevens van de etiketten op de verpakking en de apparatuur.

Pas de apparatuur aan het gebruikte gastype aan. Volg de aanwijzingen van de volgende paragraaf "Aanpassing op een ander gastype".

Op apparatuur top is tevens een aansluiting achter verkrijgbaar. Draai de dop los en draai hem op de aansluiting voor vast.

Installeer op een goed bereikbare plaats voor de apparatuur een kraan met een snelsluiser.

Gebruik geen leidingen met een diameter die kleiner is dan de diameter van de gasaansluiting van de apparatuur.

Verifieer na de aansluiting of de aansluitpunten niet lekken.

AANSLUITING OP ELEKTRICITEITSNET

Verifieer of de apparatuur kan functioneren met de spanning en de frequentie van de voeding. Controleer de gegevens van het typeplaatje van de apparatuur en het plaatje dat in de buurt van het klemmenbord is aangebracht.

Installeer op een goed bereikbare plaats voor de apparatuur een omnipolaire afscheider met een opening tussen de contacten die een volledige afkoppeling volgens de voorwaarden van de overspanningscategorie III mogelijk maakt.

Gebruik een flexibele voedingskabel met rubberen isolatie en eigenschappen die op zijn minst gelijk zijn aan het type H05 RN-F.

Sluit de voedingskabel aan op het klemmenbord volgens de aanwijzingen van het schakelschema dat samen met de apparatuur is geleverd.

Zet de voedingskabel vast met de wartel.

Bescherm de voedingskabel buiten de apparatuur met een metalen of stugge plastic buis.


Laat de beschadigde voedingskabel door de fabrikant, diens servicecentrum of door een soortgelijk gekwalificeerd personeel vervangen om risico's te vermijden.




OP DE PANELEN DIE TOEGANG BIJEN TOT DELEN ONDER SPANNING IS HET SYMBOOL "HOOGSPANNING" AANGEBRACHT.

AANSLUITING OP DE AARDE EN OP EQUIPOTENTIAAL PUNT

Sluit de elektrisch gevoede apparatuur aan op een functionerende aarding. Sluit de aardgeleider aan

op de aansluitklem met het symbool  dat is aangegeven naast de aansluitklem voor de inkomende lijn.

Sluit de metalen structuur van de elektrisch gevoede apparatuur aan op een equipotentiaal punt. Sluit de geleider aan op de aansluitklem met

het symbool  dat aan de buitenkant van de bodem is aangegeven.

AANSLUITING OP WATERNET

Voorzie de apparatuur van drinkwater. De toevoerdruk van het water moet 150 - 300 kPa bedragen. Gebruik een drukreductor als de toevoerdruk hoger is dan de gegeven maximale druk.

Installeer op een goed bereikbare plaats voor de apparatuur een mechanisch filter en een kraan.

Verwijder eventueel ijzerhoudend afval uit de leidingen alvorens het filter en de apparatuur aan te sluiten.

De niet-aangesloten aansluitingen met een waterdichte dop afsluiten.

Verifieer na de aansluiting of de aansluitpunten niet lekken.

AANSLUITING OP WATERAFVOER

De afvoerleidingen moeten gemaakt zijn van hittebestendig materiaal tot 100°C. De bodem van de apparatuur mag niet worden geraakt door de stoom die afkomstig is van de warm waterafvoer.

Breng een put met rooster aan in de vloer en een sifon onder de afvoerkraan van de pannen en voor de braadpannen.



8. AANPASSING OP EEN ANDER GASTYPE

Tabel TAB1 geeft:

- de gastypen die ze voor de functionering van de apparatuur kunnen gebruiken.
- de verstuivers en de regelingen voor de verschillende bruikbare gastypen.

Het nummer van de verstuivers gegeven in tabel Tab1 is op de verstuiver aangebracht.

Volg de aanwijzingen van de tabel TAB1 en verricht de onderstaande aanwijzingen om de apparatuur aan het gewenste gastype aan te passen:

- Vervang de verstuiver van de hoofdbrander (UM).
- Plaats de beluchter van de hoofdbrander op afstand A.
- Vervang de verstuiver van de waakvlam (UP).
- Regel de lucht van de waakvlam (wanneer nodig).
- Vervang de minimum verstuiver van de gaskraan (Um).
- Breng de sticker met het nieuwe gastype aan op de apparatuur.
- De verstuivers en de stickers worden samen met de apparatuur geleverd.

KOOKPLAAT GAS

VERVANGING VAN DE VERSTUIVER VAN DE HOOFDBRANDER

Demonteer het bedieningspaneel.
Verwijder de draagroosters, de bakken en de branders.
Demonteer de verstuiver UM en vervang hem door de verstuiver beschreven in tabel TAB1.
Draai de verstuiver UM helemaal aan.
Hermonteer alle delen. Verricht de demontageprocedure in omgekeerde volgorde.

VERVANGING VAN DE SCHROEF MINIMALE STAND

Demonteer het bedieningspaneel.
Demonteer de verstuiver UM en vervang hem door de verstuiver beschreven in tabel TAB1.
Draai de verstuiver UM helemaal aan.
Hermonteer alle delen. Verricht de demontageprocedure in omgekeerde volgorde.

GRILLPLATEN GAS

VERVANGING VAN DE VERSTUIVER VAN DE HOOFDBRANDER EN DE REGELING VAN DE PRIMAIRE LUCHT

Demonteer het bedieningspaneel.
Demonteer de verstuiver UM en vervang hem door de verstuiver beschreven in tabel TAB1.
Draai de verstuiver UM helemaal aan.
Draai de schroef V los en plaats de beluchter op de afstand A gegeven in de tabel TAB1.
Draai de schroef V helemaal aan.
Hermonteer alle delen. Verricht de demontageprocedure in omgekeerde volgorde.

VERVANGING VAN DE SCHROEF MINIMALE STAND

Demonteer het bedieningspaneel.
Demonteer de verstuiver UM en vervang hem door de verstuiver beschreven in tabel TAB1.
Draai de verstuiver UM helemaal aan.
Hermonteer alle delen. Verricht de demontageprocedure in omgekeerde volgorde.

VERVANGING VAN DE VERSTUIVER VAN DE WAAKVLAMBRANDER

Demonteer het bedieningspaneel en de interne

beveiligingen.

Draai de verbinding R los.

Demonteer de verstuiver UP en vervang hem door de verstuiver beschreven in tabel TAB1.

Draai de aansluiting R helemaal aan. Hermonteer alle onderdelen.

Verricht de demontageprocedure in omgekeerde volgorde.

GASOVEN

VERVANGING VAN DE VERSTUIVER VAN DE HOOFDBRANDER EN DE REGELING VAN DE PRIMAIRE LUCHT

Open de deur van de oven.

Verwijder de bodem en de afscherming.

Draai de schroef V los.

Demonteer de verstuiver UM.

Draai de verstuiver UM helemaal aan.

Plaats de luchtregelopening op de afstand A die is gegeven in de tabel TAB1.

Draai de schroef V helemaal aan.

Hermonteer alle delen. Verricht de demontageprocedure in omgekeerde volgorde.

VERVANGING VAN DE SCHROEF MINIMALE STAND

Demonteer het bedieningspaneel.

Demonteer de verstuiver UM en vervang hem door de verstuiver beschreven in tabel TAB1.

Draai de verstuiver UM helemaal aan.

Hermonteer alle delen. Verricht de demontageprocedure in omgekeerde volgorde.

GROTE GASPIT

VERVANGING VAN DE VERSTUIVER VAN DE HOOFDBRANDER EN DE REGELING VAN DE PRIMAIRE LUCHT

Demonteer het bedieningspaneel.

Demonteer de verstuiver UM en vervang hem door de verstuiver beschreven in tabel TAB1.

Draai de verstuiver UM helemaal aan.

Draai de schroef V los en plaats de beluchter op de afstand A gegeven in de tabel TAB1.

Draai de schroef V helemaal aan.

Hermonteer alle delen. Verricht de demontageprocedure in omgekeerde volgorde.

VERVANGING VAN DE SCHROEF MINIMALE STAND

Demonteer het bedieningspaneel.

Demonteer de verstuiver UM en vervang hem door de verstuiver beschreven in tabel TAB1.

Draai de verstuiver UM helemaal aan.

Hermonteer alle delen. Verricht de demontageprocedure in omgekeerde volgorde.

VERVANGING VAN DE VERSTUIVER VAN DE WAAKVLAMBRANDER

Demonteer het bedieningspaneel.

Draai de verbinding R los.

Demonteer de verstuiver UP en vervang hem door de verstuiver beschreven in tabel TAB1.

Draai de aansluiting R helemaal aan. Hermonteer alle onderdelen.

Verricht de demontageprocedure in omgekeerde volgorde.

9. INBEDRIJFSTELLING

Verifieer de functionering van de apparatuur na de installatie, de aanpassing op een ander gastype of onderhoud. Raadpleeg in het geval van storingen de volgende paragraaf "Storingen oplossen".

GASAPPARATUUR

Stel de apparatuur in werking volgens de gebruiksaanwijzingen en waarschuwingen beschreven in het hoofdstuk "GEBRUIKSAANWIJZINGEN" en verifieer:

- de gastoevoerdruk (zie de volgende paragraaf).
- de normale ontsteking van de branders en de doeltreffendheid van de rookafvoerinstallatie.

VERIFICATIE VAN DE GAS TOEVOERDRUK

Gebruik een drukregelaar met een resolutie van minstens 0,1 mbar.

Demonteer het bedieningspaneel.

Verwijder de schroef van de drukaansluiting PP en sluit de drukmeter aan.

Verricht de meting bij werkende apparatuur.



OPGELET! ALS DE GAS TOEVOERDRUK NIET BINNEN DE LIMIEWAARDEN (MIN. - MAX.) BESCHREVEN IN DE TABEL TAB2 LIGT, ONDERBREEK DE FUNCTIONERING VAN DE APPARATUUR EN NEEM CONTACT OP MET HET GASBEDRIJF.

Koppel de drukmeter af en draai de schroef op de drukaansluiting helemaal aan.

ELEKTRISCHE APPARATUUR

Stel de apparatuur in werking volgens de gebruiksaanwijzingen en waarschuwingen beschreven in het hoofdstuk "GEBRUIKSAANWIJZINGEN" en verifieer:

- de stroomwaarden van elke fase.
- de normale ontsteking van de verwarmingsweerstand.

III. GEBRUIKSAANWIJZINGEN

10. MEDEDELINGEN VOOR DE GEBRUIKER



LEES DEZE HANDLEIDING AANDACHTIG DOOR. HET GEEFT BELANGRIJKE INFORMATIE OVER DE VEILIGHEID TIJDENS DE INSTALLATIE, HET GEBRUIK EN HET ONDERHOUD VAN DE APPARATUUR.



DE FABRIKANT AANVAARDT GEEN AANSPRAKELIJKHEID VOOR SCHADE WEGENS DE NIET-NALEVIJG VAN DE ONDERSTAANDE PLICHTEN.

Wend u voor assistentie uitsluitend tot erkende servicecentra en vraag om originele reserveonderdelen.

Onderhoud de apparatuur minstens twee keer per jaar. Het wordt aanbevolen een onderhoudscontract af te sluiten.

De apparatuur is bestemd voor professioneel gebruik en moet door getraind personeel worden gebruikt.

Gebruik de apparatuur voor de bereiding van voedsel zoals is beschreven in de gebruiksaanwijzingen. Elk ander gebruik is oneigenlijk.

Laat de apparatuur nooit lange tijd leeg functioneren. Warm het apparaat voor het gebruik op.

Controleer de apparatuur tijdens de werking.

Sluit de gaskraan en/of deactiveer de hoofdschakelaar van de elektrische voeding voor de apparatuur in het geval van een storing of defect aan de apparatuur.

Verricht de reiniging volgens de aanwijzingen van de paragraaf "AANWIJZINGEN VOOR DE REINIGING".



HOUD ONTVLAMBARE MATERIALEN BUITEN BEREIK VAN DE APPARATUUR.

BRANDGEVAAR.

Sluit de ventilatieopeningen en de afvoeropeningen van de apparatuur niet af.

Maak de componenten van de apparatuur niet onklaar.

Deze handleiding op een veilige en bekende plaats bewaren zodat ze gedurende de levensduur van de apparatuur kan worden geraadpleegd.

De installatie en het onderhoud van de apparatuur dienen te worden verricht door gekwalificeerd en door de fabrikant erkend personeel, conform de toepasselijke veiligheidsnormen en de aanwijzingen van deze handleiding.

De onderhoud en het ombouwen naar een ander gastype van de apparatuur dienen te worden verricht door gekwalificeerd en door de fabrikant erkend personeel, conform de toepasselijke veiligheidsnormen en de aanwijzingen van deze handleiding.

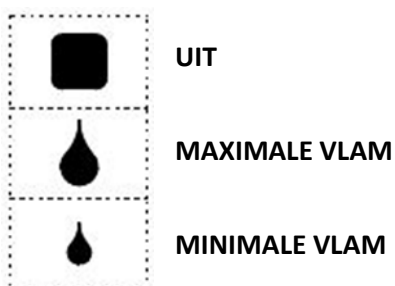
11. GEBRUIK VAN DE KOOKPLAAT GAS

De apparatuur is bestemd voor het bereiden van voedsel in pannen.

Verifieer of de vlamverdelers van de branders correct op hun plaats zijn aangebracht.

ONTSTEKING EN UITDOVING BRANDERS

De knop van de gaskraan heeft de volgende standen:



ONTSTEKING HOOFDBRANDER

Ontsteek de hoofdbrander door de knop van "uit" te draaien op "maximale vlam".

Draai voor een minimale vlam de knop van "maximale vlam" op "minimale vlam".

UITSCHAKELING

Schakel de hoofdbrander uit door de knop op " uit " te draaien.

12. GEBRUIK VAN DE GRILLPLATEN/SIMPLE SERVICE

De apparatuur is bestemd voor het bereiden van voedsel in pannen.

In het midden is de temperatuur het hoogst.

Verifieer of de vlamverdelers van de brander correct op zijn plaats is aangebracht. Til de centrale schijf van de plaat op.

ONTSTEKING EN UITDOVING BRANDERS

De knop van de gaskraan heeft de volgende standen:



ONTSTEKING WAAKVLAM

Druk de knop in en draai hem op de stand "ontsteking waakvlam".

Druk de knop helemaal in en ontsteek de waakvlam door op de knop van de piëzo-elektrische ontsteker te drukken.

Houd de knop ongeveer 20 seconden ingedrukt en laat hem vervolgens los. Herhaal de handeling als de waakvlam uit gaat.

De waakvlam kan geobserveerd worden door de controle-opening op het bedieningspaneel.

De waakvlam kan worden ontstoken door een vlam in te voeren. Til de centrale schijf van de plaat op.

ONTSTEKING HOOFDBRANDER

Ontsteek de hoofdbrander door de knop van "ontsteking waakvlam" te draaien op "maximale vlam".

Draai voor een minimale vlam de knop van "maximale vlam" op "minimale vlam".

UITSCHAKELING

Draai de knop van de stand " maximale vlam " of " minimale vlam " op de stand " ontsteking waakvlam ".

Schakel de waakvlam uit door de knop gedeeltelijk in te drukken en op " uit " te draaien.

13. GEBRUIK VAN DE OVEN GAS 600

De apparatuur is bestemd voor het bereiden van voedsel op de meegeleverde roosters.

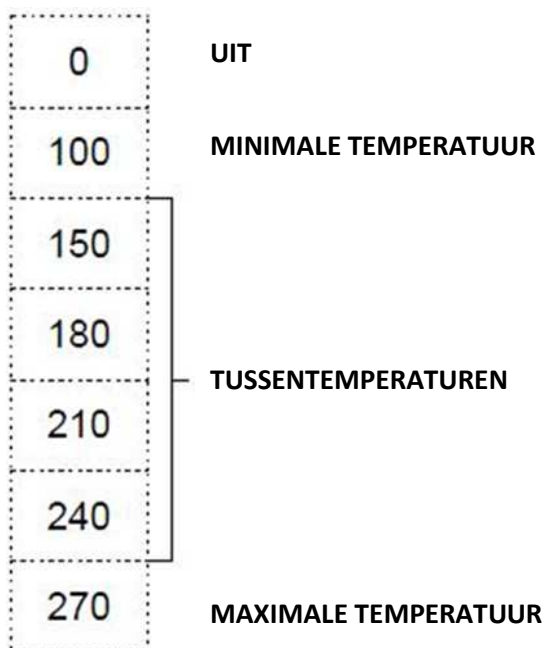
Laat de deur van de oven tijdens de werking niet open of op een kier staan.



OPGELET: DE GRILL FUNCTIONEERT NIET ALS DE OVEN OP GAS WERKT.

ONTSTEKING EN UITDOVING BRANDERS

De knop van de thermostaat heeft de volgende standen:



ONTSTEKING HOOFDBRANDER

Draai de knop op de stand behorende bij de gekozen bereidingstemperatuur.

Druk de knop 5-10 seconden helemaal in. De brander wordt elektrisch ontstoken.

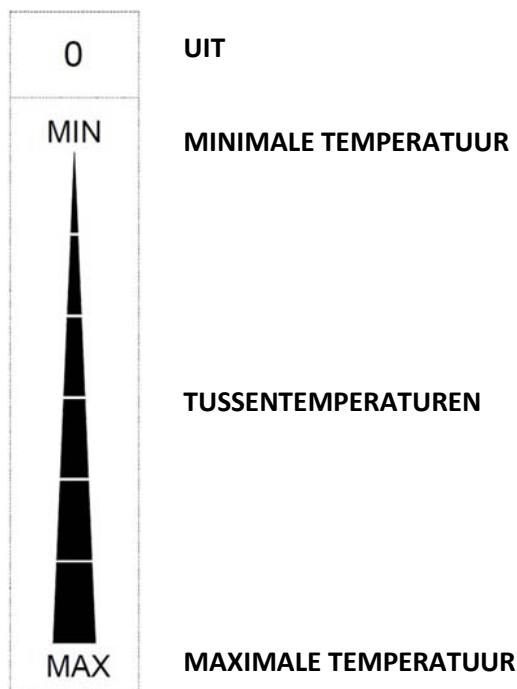
Open de deur van de oven 1 minuut lang en herhaal de handeling als de brander niet aan gaat.

UITSCHAKELING

Schakel de hoofdbrander uit door de knop op " uit " te draaien.

IN- EN UITSCHAKELING ELEKTRISCHE GRILL

De knop van de energieregelaar heeft de volgende standen:



INSCHAKELING ELEKTRISCHE GRILL

Draai de knop van de energieregelaar op een willekeurige stand tussen " MIN " en " MAX ".

Het gele lampje en de lamp in de oven gaan branden.

UITSCHAKELING

Draai de knop van de energieregelaar op de stand " Uit ".

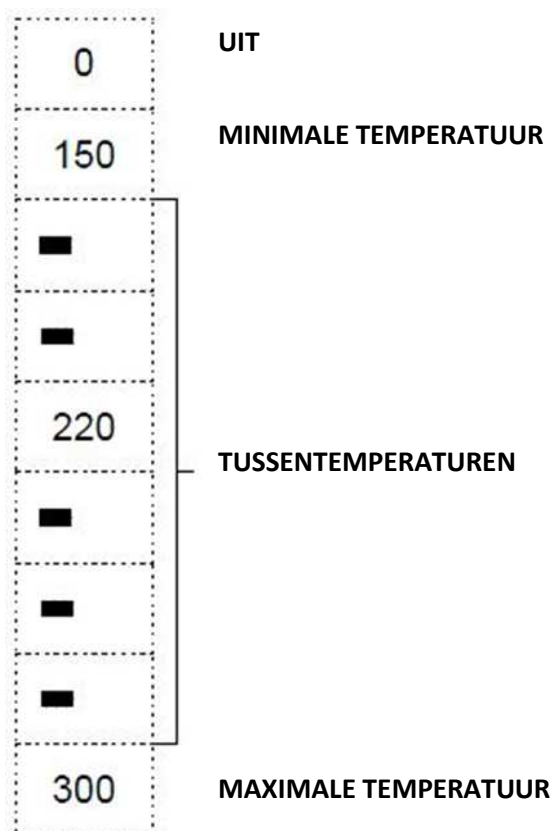
14. GEBRUIK VAN DE OVEN GAS 650

De apparatuur is bestemd voor het bereiden van voedsel op de meegeleverde roosters.

Laat de deur van de oven tijdens de werking niet open of op een kier staan.

ONTSTEKING EN UITDOVING BRANDERS

De knop van de thermostaatkraan heeft de volgende standen:



ONTSTEKING HOOFDBRANDER

Draai de knop op de stand behorende bij de gekozen bereidingstemperatuur.

Druk de knop helemaal in en druk tegelijkertijd op de knop van de piëzo-elektrische ontsteker. Houd de knop 10-15 seconden ingedrukt en laat hem vervolgens los. De waakvlambrander blijft branden. Herhaal de handeling in het geval van een uitschakeling.

UITSCHAKELING

Schakel de hoofdbrander uit door de knop op " uit " te draaien.

15. GEBRUIK VAN DE GROTE GASPIT

De apparatuur is bestemd voor het bereiden van voedsel in pannen.

Verifieer of de vlamverdelers van de branders correct op hun plaats zijn aangebracht.

ONTSTEKING EN UITDOVING BRANDERS

De knop van de gaskraan heeft de volgende standen:



ONTSTEKING WAAKVLAM

Druk de knop in en draai hem op de stand " ontsteking waakvlam".

Druk de knop helemaal in en ontsteek de waakvlam met een vlam.

Houd de knop ongeveer 20 seconden ingedrukt en laat hem vervolgens los. Herhaal de handeling als de waakvlam uit gaat.

ONTSTEKING HOOFDBRANDER

Ontsteek de hoofdbrander door de knop van "ontsteking waakvlam" te draaien op "maximale vlam".

Draai voor een minimale vlam de knop van "maximale vlam" op "minimale vlam".

UITSCHAKELING

Draai de knop van de stand " maximale vlam " of " minimale vlam " op de stand " ontsteking waakvlam ".

Schakel de waakvlam uit door de knop gedeeltelijk in te drukken en op " uit " te draaien.

16. GEBRUIK VAN DE KOOKPLAAT ELEKTRISCH/GROTE PIT ELEKTRISCH

De apparatuur is bestemd voor het bereiden van voedsel in pannen.

Pannen met een vlakke bodem gebruiken. Gebruik de specifieke pan in de wok.

Laat de plaat niet ingeschakeld als er geen pan of een lege pan op is geplaatst.

Giet geen koude vloeistoffen op de warme plaat.

IN- EN UITSCHAKELING VERWARMING

De knop van de keuzeschakelaar heeft de volgende standen:

0	UIT
1	MINIMALE TEMPERATUUR
2	TUSSENTEMPERATUREN
3	
4	
5	MAXIMALE TEMPERATUUR
6	

ONTSTEKING

Draai de knop van de keuzeschakelaar op de gekozen stand.

Het groene lampje gaat branden.

Het lampje " A " gaat branden om aan te geven dat de desbetreffende plaat is ingeschakeld.

UITSCHAKELING

Draai de knop van de keuzeschakelaar op " 0 ".

Het groene lampje gaat uit.

17. GEBRUIK VAN DE OVEN ELEKTRISCH CONVECTIE

De apparatuur is bestemd voor het bereiden van voedsel op de meegeleverde roosters.

Laat de deur van de oven tijdens de werking niet open of op een kier staan.

De apparatuur is voorzien van een handmatig herstelbare veiligheidsthermostaat die de verwarming onderbreekt als de bedrijfstemperatuur de toelaatbare maximum temperatuur overschrijdt.

IN- EN UITSCHAKELING VERWARMING

De knop van de thermostaat heeft de volgende standen:

0	UIT
50	MINIMALE TEMPERATUUR
100	TUSSENTEMPERATUREN
150	
200	
250	MAXIMALE TEMPERATUUR
300	

ONTSTEKING

Draai de knop van de thermostaat behorende bij de stand van de gekozen bereidingstemperatuur.

het gele lampje en het groene lampje gaan branden.

Het gele lampje gaat uit om aan te geven dat de gekozen temperatuur is bereikt.

Het groene lampje geeft aan dat het apparaat onder spanning is geplaatst.

UITSCHAKELING

Draai de knop van de thermostaat op " 0 ".

het gele lampje en het groene lampje gaan uit.

18. GEBRUIK VAN DE OVEN ELEKTRISCH MULTIFUNCTIONEEL (SERIE 600)






De apparatuur is bestemd voor het bereiden van voedsel op de meegeleverde roosters.

Laat de deur van de oven tijdens de werking niet open of op een kier staan.

De apparatuur is voorzien van een handmatig herstelbare veiligheidsthermostaat die de verwarming onderbreekt als de bedrijfstemperatuur de toelaatbare maximum temperatuur overschrijdt.

IN- EN UITSCHAKELING VERWARMING

De functioning van de elektrische oven wordt gecontroleerd door twee knoppen (voor de keuze van het type verwarming en de bereidingstemperatuur). Het gele lampje geeft aan dat de verwarmingsweerstand zijn ingeschakeld. De knop van de keuzeschakelaar heeft de volgende standen:

0	UIT
	OVENLAMP
	VERWARMINGSELEMENTEN BOVEN EN ONDER
	VERWARMINGSELEMENTEN BOVEN EN ONDER MET VENTILATOR
	GRILLWEERSTAND
	GRILLWEERSTAND MET VENTILATOR

De knop van de thermostaat heeft de volgende standen:

0	UIT
50	MINIMALE TEMPERATUUR
100	TUSSENTEMPERATUREN
150	
200	
250	
MAX	MAXIMALE TEMPERATUUR

ONTSTEKING

Draai de knop van de keuzeschakelaar op de gekozen stand.

Draai de knop van de thermostaat behorende bij de stand van de gekozen bereidingstemperatuur. het gele lampje en het groene lampje gaan branden.

Het gele lampje gaat uit om aan te geven dat de gekozen temperatuur is bereikt.

Het groene lampje geeft aan dat het apparaat onder spanning is geplaatst.

UITSCHAKELING

Draai de knop van de thermostaat op " 0 ".

Draai de knop van de keuzeschakelaar op " 0 ".

19. INUTILITEITSPERIODE

Verricht de volgende procedure voor een voorziene, lange inactiviteit van de apparatuur:

- Maak de apparatuur nauwgezet schoon.
- Een lap bevochtigd met vaselineolie over de roestvrijstalen oppervlakken halen zodat ze door een beschermend laagje worden bedekt.
- De deksels van de pannen open laten.
- Sluit de kranen of hoofdschakelaars voor de apparatuur.

Verricht de volgende procedure na een lange inactiviteit van de apparatuur:

- Controleer de apparatuur alvorens ze opnieuw te gebruiken.
- Laat de elektrische apparatuur minstens 60 minuten lang op minimale temperatuur werken.

IV. AANWIJZINGEN VOOR DE REINIGING

20. MEDEDELINGEN VOOR DE REINIGING



LEES DEZE HANDLEIDING AANDACHTIG DOOR. HET GEEFT BELANGRIJKE INFORMATIE OVER DE VEILIGHEID TIJDENS DE INSTALLATIE, HET GEBRUIK EN HET ONDERHOUD VAN DE APPARATUUR.



DE FABRIKANT AANVAARDT GEEN AANSPRAKELIJKHEID VOOR SCHADE WEGENS DE NIET-NALEIVING VAN DE ONDERSTAANDE Plichten.



HAAL DE ELEKTRISCHE VOEDING VAN DE APPARATUUR LOS, INDIEN AANWEZIG, ALVORENS EEN HANDELING TE VERRICHTEN.

Reinig dagelijks de externe, gesatineerde oppervlakken van roestvrij staal, het oppervlak van de reservoirs en het oppervlak van de platen.

Laat de interne onderdelen van de apparatuur minstens twee keer per jaar door een erkend technicus reinigen.

Maak de vloer onder de apparatuur niet schoon met bijtende producten.

Reinig de apparatuur niet met directe waterstralen of hogedrukreinigers.

GESATINEERDE ROESTVRIJSTALEN OPPERVLAGKEN

Maak de oppervlakken schoon met een doek of een lap bevochtigd met water en normale, niet-schurende reinigingsmiddelen. Wrijf met de doek in de richting van de satineringsrichting. Spoel regelmatig af en maak vervolgens zorgvuldig droog.

Gebruik geen metalen schuursponsjes of andere ijzeren voorwerpen.

Gebruik geen chemische producten die chloor bevatten.

Gebruik geen scherpe voorwerpen die krassen in de oppervlakken kunnen achterlaten.

PLATEN ELEKTRISCH

Maak de oppervlakken schoon met een vochtige doek.

Stel het een enkele minuut in werking om het snel te laten drogen.

Breng op de oppervlakken een dunne laag olie voor de levensmiddelengebruik aan.

GRILLPLAAT

Maak de oppervlakken schoon met een vochtige doek.

Stel het een enkele minuut in werking om het snel te laten drogen.

Breng op de oppervlakken een dunne laag olie voor de levensmiddelengebruik aan.

v. ONDERHOUDSAANWIJZINGEN

21. MEDEDELINGEN VOOR HET ONDERHOUDSPERSONEEL



**DE FABRIKANT AANVAARDT GEEN
AANSPRAKELIJKHEID VOOR SCHADE
WEGENS DE NIET-NALEIVING VAN DE
ONDERSTAANDE PLICHTEN.**

Het model van de apparatuur identificeren. Op de verpakking en op het typeplaatje van de apparatuur is het model aangegeven.

Installeer de apparatuur uitsluitend in voldoende geventileerde ruimten.

Sluit de ventilatieopeningen en de afvoeropeningen van de apparatuur niet af.

Maak de componenten van de apparatuur niet onklaar.

De onderhoud en het ombouwen naar een ander gastype van de apparatuur dienen te worden verricht door gekwalificeerd en door de fabrikant erkend personeel, conform de toepasselijke veiligheidsnormen en de aanwijzingen van deze handleiding.

22. AANPASSING OP EEN ANDER GASTYPE

Zie het hoofdstuk " Installatieaanwijzingen ".

23. INBEDRIJFSTELLING

Zie het hoofdstuk " Installatieaanwijzingen ".

24. STORINGEN OPLOSSEN

KOOKPLAAT GAS

DE HOOFDBRANDER GAAT NIET AAN

Mogelijke oorzaken:

- De gastoevoerdruk is te laag.
- De leiding of de verstuurder is verstopt.
- De gaskraan of het gasventiel is kapot.
- De brander is defect (gas uitvoeropeningen verstopt).

GRILLPLATEN GAS

DE WAAKVLAMBRANDER GAAT NIET AAN.

Mogelijke oorzaken:

- De gastoevoerdruk is te laag.
- De leiding of de verstuurder is verstopt.
- De gaskraan of het gasventiel is kapot.
- De ontstekingsbougie is verkeerd aangesloten of is defect.
- De ontsteker of de bougiekabel is defect.

DE WAAKVLAMBRANDER BLIJFT NIET BRANDEN OF GAAT UIT TIJDENS HET GEBRUIK.

Mogelijke oorzaken:

- De gastoevoerdruk is te laag.
- De gaskraan of het gasventiel is kapot.
- Het thermokoppel is defect of wordt onvoldoende opgewarmd.
- Het thermokoppel is verkeerd op de kraan of het gasventiel aangesloten.
- De knop van de gaskraan of het gasventiel wordt niet voldoende ingedrukt.

DE HOOFDBRANDER GAAT NIET AAN (OOK AL BRANDT DE WAAKVLAM).

Mogelijke oorzaken:

- De gastoevoerdruk is te laag.
- De leiding of de verstuiver is verstopt.
- De gaskraan of het gasventiel is kapot.
- De brander is defect (gas uitvoeropeningen verstopt).

GASOVEN**DE HOOFDBRANDER GAAT NIET AAN**

Mogelijke oorzaken:

- De gastoevoerdruk is te laag.
- De leiding of de verstuiver is verstopt.
- De gaskraan of het gasventiel is kapot.
- De brander is defect (gas uitvoeropeningen verstopt).

DE VERWARMING KAN NIET WORDEN GEREGELD.

Mogelijke oorzaken:

- De gaskraan is kapot.

GROTE GASPIT**DE WAAKVLAMBRANDER GAAT NIET AAN.**

Mogelijke oorzaken:

- De gastoevoerdruk is te laag.
- De leiding of de verstuiver is verstopt.
- De gaskraan of het gasventiel is kapot.
- De ontstekingsbougie is verkeerd aangesloten of is defect.
- De ontsteker of de bougiekabel is defect.

DE WAAKVLAMBRANDER BLIJFT NIET BRANDEN OF GAAT UIT TIJDENS HET GEBRUIK.

Mogelijke oorzaken:

- De gastoevoerdruk is te laag.
- De gaskraan of het gasventiel is kapot.
- Het thermokoppel is defect of wordt onvoldoende opgewarmd.
- Het thermokoppel is verkeerd op de kraan of het gasventiel aangesloten.
- De knop van de gaskraan of het gasventiel wordt niet voldoende ingedrukt.

DE HOOFDBRANDER GAAT NIET AAN (OOK AL BRANDT DE WAAKVLAM).

Mogelijke oorzaken:

- De gastoevoerdruk is te laag.
- De leiding of de verstuiver is verstopt.
- De gaskraan of het gasventiel is kapot.
- De brander is defect (gas uitvoeropeningen verstopt).

KOOKPLAAT ELEKTRISCH/GROTE ELEKTRISCHE PIT**DE PLAAT WARMT NIET OP.**

Mogelijke oorzaken:

- De plaat is kapot.

ELEKTRISCHE OVEN**DE APPARATUUR WARMT NIET OP.**

Mogelijke oorzaken:

- De thermostaat voor de regeling van de temperatuur is defect.
- De weerstanden zijn defect.
- De veiligheidsthermostaat heeft ingegrepen.

DE VERWARMING KAN NIET WORDEN GEREGELD.

Mogelijke oorzaken:

- De thermostaat voor de regeling van de temperatuur is defect.

25. VERVANGING VAN DE COMPONENTEN**MEDEDELINGEN VOOR DE VERVANGING VAN**

COMPONENTEN



SLUIT DE GASKRAAN EN/OF DEACTIVEER DE HOOFDSCHAKELAAR VAN DE ELEKTRISCHE VOEDING VOOR HET APPARAAT AF.



VERIFIEER NA DE VERVANGING VAN EEN ELEMENT VAN HET GASCIRCUIT OF DE AANSLUITPUNTEN OP HET CIRCUIT NIET LEKKEN.



HAAL DE ELEKTRISCHE VOEDING VAN DE APPARATUUR LOS, INDIEN AANWEZIG, ALVORENS EEN HANDELING TE VERRICHTEN.



VERIFIEER NA DE VERVANGING VAN EEN COMPONENT VAN HET ELEKTRISCHE CIRCUIT OF HET CORRECT OP DE BEDRADING IS AANGESLOTEN.

KOOKPLAAT GAS

VERVANGING VAN DE GASKRAAN.

- Demonteer het bedieningspaneel.
- Demonteer en vervang het component.
- Hermonteer alle delen. Verricht de demontageprocedure in omgekeerde volgorde.

GRILLPLATEN GAS

VERVANGING VAN DE GASKRAAN EN DE PIËZO-ELEKTRISCHE ONTSTEKER.

- Demonteer het bedieningspaneel.
- Demonteer en vervang het component.
- Hermonteer alle delen. Verricht de demontageprocedure in omgekeerde volgorde.

VERVANGING VAN DE HOOFDBRANDER, DE WAAKVLAMBRANDER, HET THERMOKOPPEL EN DE ONTSTEKINGSBOUGIE.

- Demonteer de kookplaat.
- Demonteer het bedieningspaneel en de interne beveiligingen.
- Demonteer en vervang het component.
- Hermonteer alle delen. Verricht de demontageprocedure in omgekeerde volgorde.

GASOVEN

VERVANGING VAN DE THERMOSTAATKRAAN EN DE PIËZO-ELEKTRISCHE ONTSTEKER.

- Demonteer het bedieningspaneel.
- Verwijder de bol van zijn plaats bevestigd aan de zijkant van de oven.
- Demonteer en vervang het component.
- Hermonteer alle delen. Verricht de demontageprocedure in omgekeerde volgorde.

VERVANGING VAN DE BRANDER

- Open de deur van de oven.
- Demonteer de bodem en de afscherming op de brander.
- Demonteer en vervang het component.
- Hermonteer alle delen. Verricht de demontageprocedure in omgekeerde volgorde.

VERVANGING VAN HET THERMOKOPPEL

- Demonteer het bedieningspaneel.
- Open de deur van de oven.
- Demonteer de bodem en de afscherming op de brander.
- Demonteer en vervang het component.
- Hermonteer alle delen. Verricht de demontageprocedure in omgekeerde volgorde.

GROTE GASPIT

VERVANGING VAN DE GASKRAAN.

- Demonteer het bedieningspaneel.
- Demonteer en vervang het component.
- Hermonteer alle delen. Verricht de demontageprocedure in omgekeerde volgorde.

VERVANGING VAN DE HOOFDBRANDER, DE WAAKVLAMBRANDER, HET THERMOKOPPEL EN DE ONTSTEKINGSBOUGIE.

- Demonteer het bedieningspaneel.
- Demonteer en vervang het component.
- Hermonteer alle delen. Verricht de demontageprocedure in omgekeerde volgorde.

KOOKPLAAT ELEKTRISCH/GROTE ELEKTRISCHE PIT

VERVANGING VAN DE KEUZESCHAKELAAR EN HET

LAMPJE.

- Demonteer het bedieningspaneel.
- Demonteer en vervang het component.
- Hermonteer alle delen. Verricht de demontageprocedure in omgekeerde volgorde.

VERVANGING VAN DE PLAAT.

- Demonteer het bedieningspaneel en de interne beveiligingen.
- Demonteer en vervang het component. Draai de afstandsring M8 afkomstig van het vervangen component op het nieuwe component vast.
- Hermonteer alle delen. Verricht de demontageprocedure in omgekeerde volgorde.

ELEKTRISCHE OVEN

VERVANGING VAN DE KEUZESCHAKELAAR EN HET LAMPJE.

- Demonteer het bedieningspaneel.
- Demonteer en vervang het component.
- Hermonteer alle delen. Verricht de demontageprocedure in omgekeerde volgorde.

VERVANGING VAN DE BEDRIJFSTHERMOSTAAT EN DE VEILIGHEIDSTHERMOSTAAT.

- Demonteer het bedieningspaneel.
- Verwijder de bol van zijn plaats bevestigd aan de zijkant van de oven.
- Demonteer en vervang het component.
- Hermonteer alle delen. Verricht de demontageprocedure in omgekeerde volgorde.

VERVANGING VAN DE WEERSTAND

- Demonteer de bodem (alleen voor onderste weerstanden).
- Draai de schroef los die de weerstand aan de oven bevestigd en verwijder de weerstand ongeveer 10 cm.
- Hermonteer alle delen. Verricht de demontageprocedure in omgekeerde volgorde.

26. REINIGING VAN DE INTERNE ONDERDELEN

Controleer de staat van de inwendige onderdelen van de apparatuur.

Verwijder eventueel vuil.

Controleer en reinig het rookafvoersysteem.

27. HOOFDCOMPONENTEN

KOOKPLAAT GAS

- Gaskraan
- Hoofdbrander
- Waakvlambrander
- Thermokoppel

GRILLPLATEN GAS

- Gaskraan
- Hoofdbrander
- Waakvlambrander
- Thermokoppel
- Ontstekingsbougie
- Piëzo-elektrische ontsteker

GASOVEN

- Gaskraan
- Hoofdbrander
- Waakvlambrander
- Thermokoppel
- Ontstekingsbougie
- Piëzo-elektrische ontsteker

GROTE GASPIT

Gaskraan
Hoofdbrander
Waakvlambrander
Thermokoppel
Ontstekingsbougie

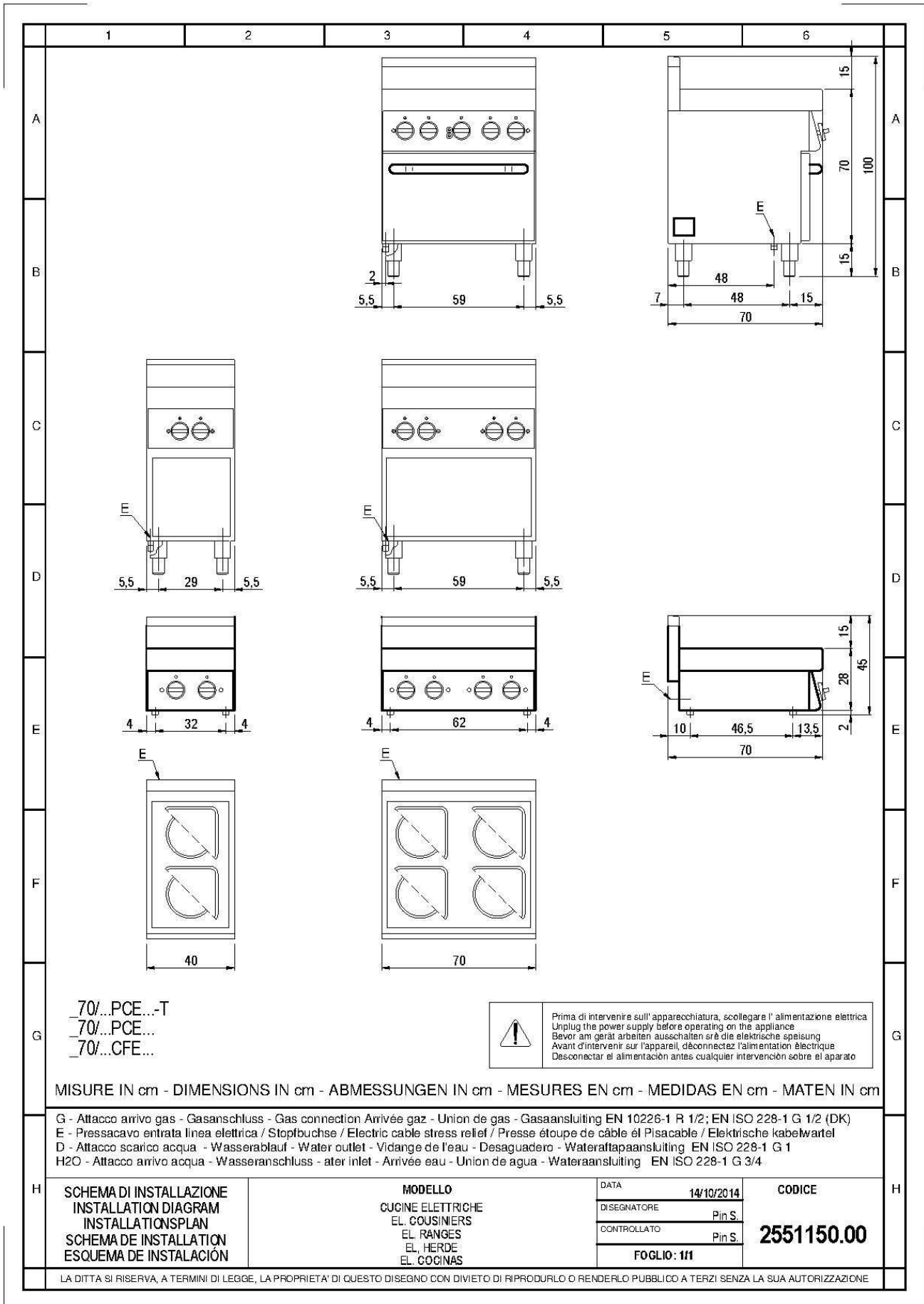
KOOKPLAAT ELEKTRISCH

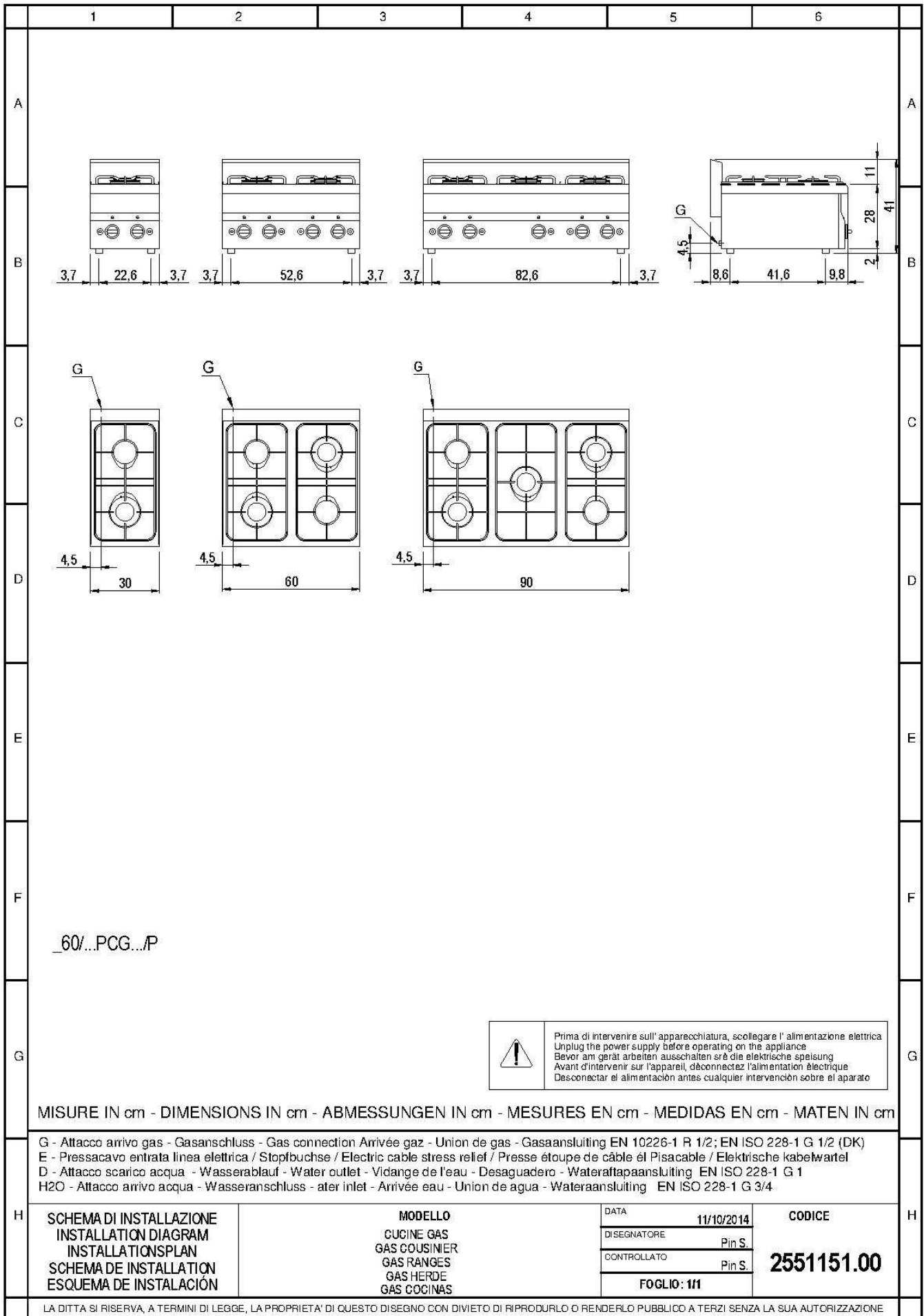
- Keuzeschakelaar
- Verwarmende plaat
- Lampje

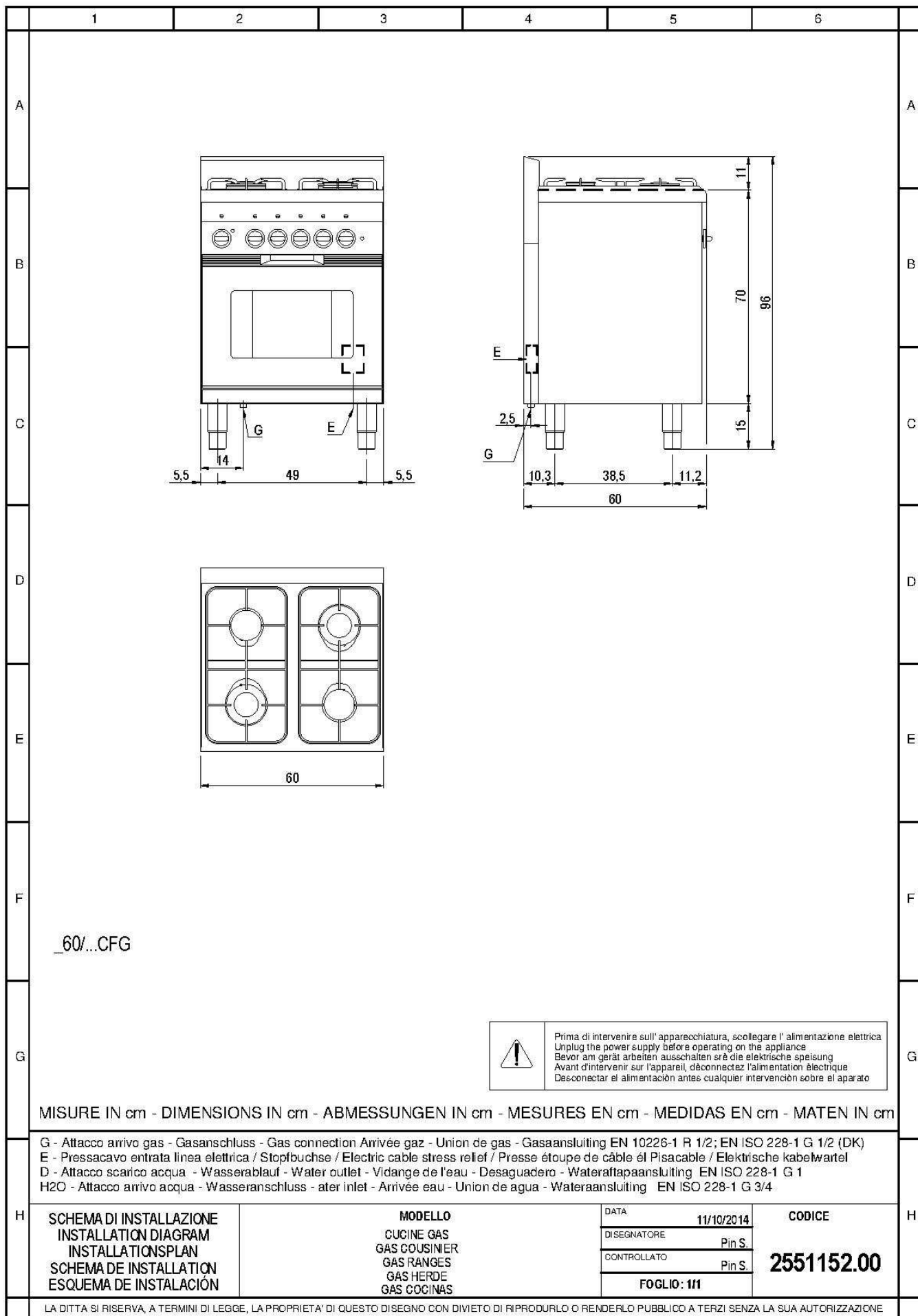
ELEKTRISCHE OVEN

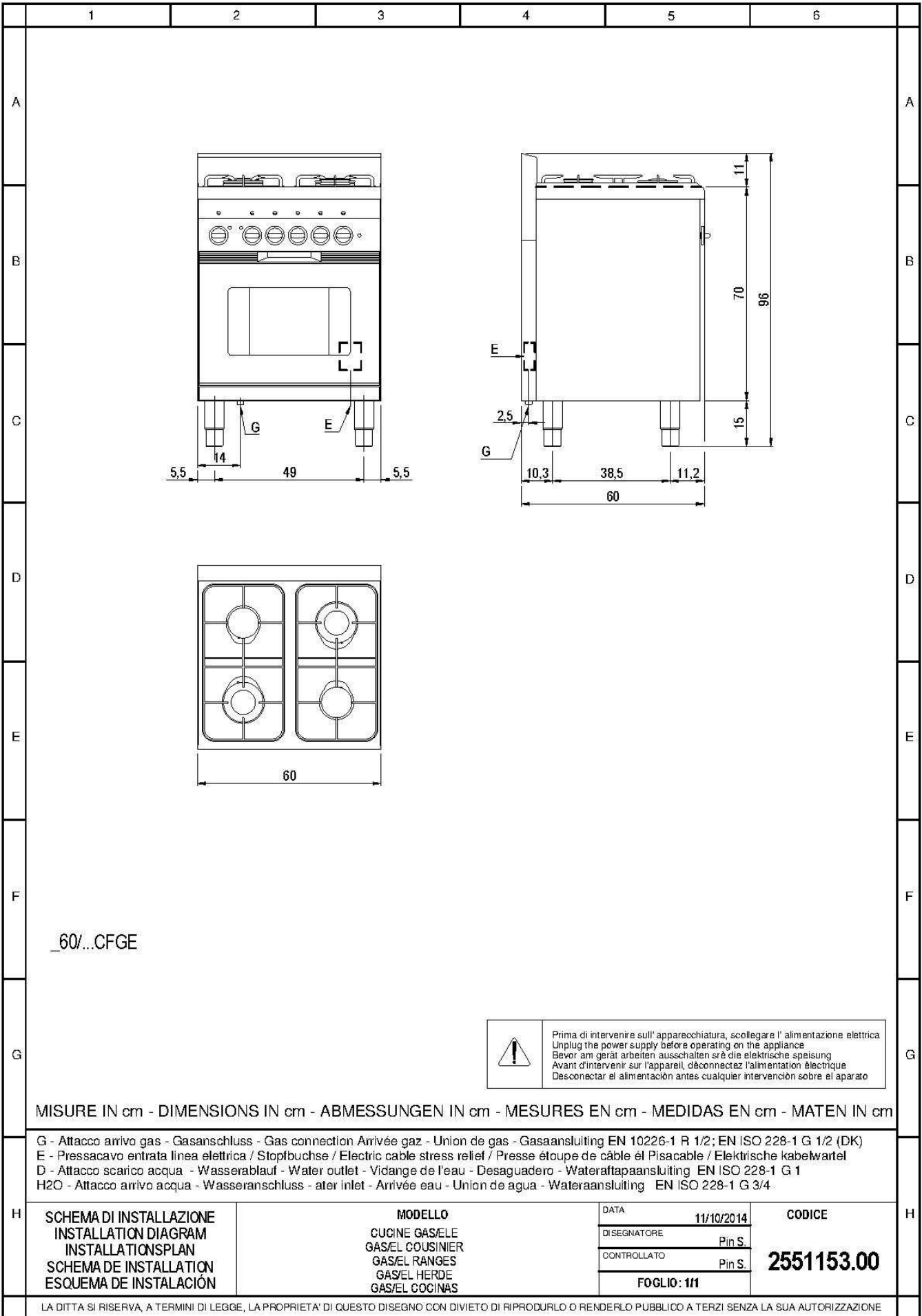
- Keuzeschakelaar
- Bedrijfstermostaat
- Veiligheidstermostaat
- Weerstand
- Lampje

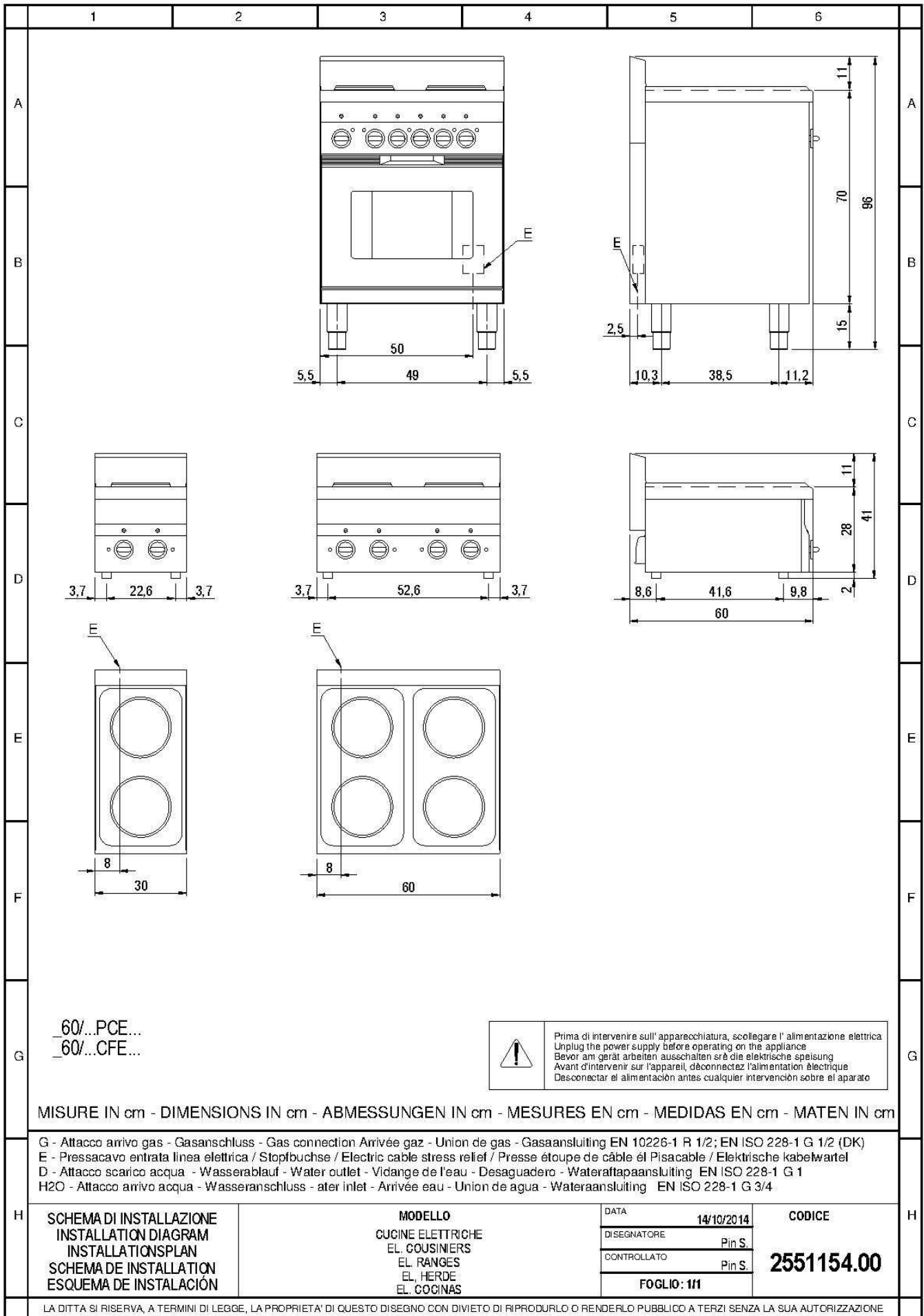
VI. SCHEMI DI INSTALLAZIONE – INSTALLATIONS PLAN - INSTALLATION DIAGRAM – SCHEMA D’INSTALLATION – ESQUEMA DE INSTALACION - INSTALLATIESCHEMA'S



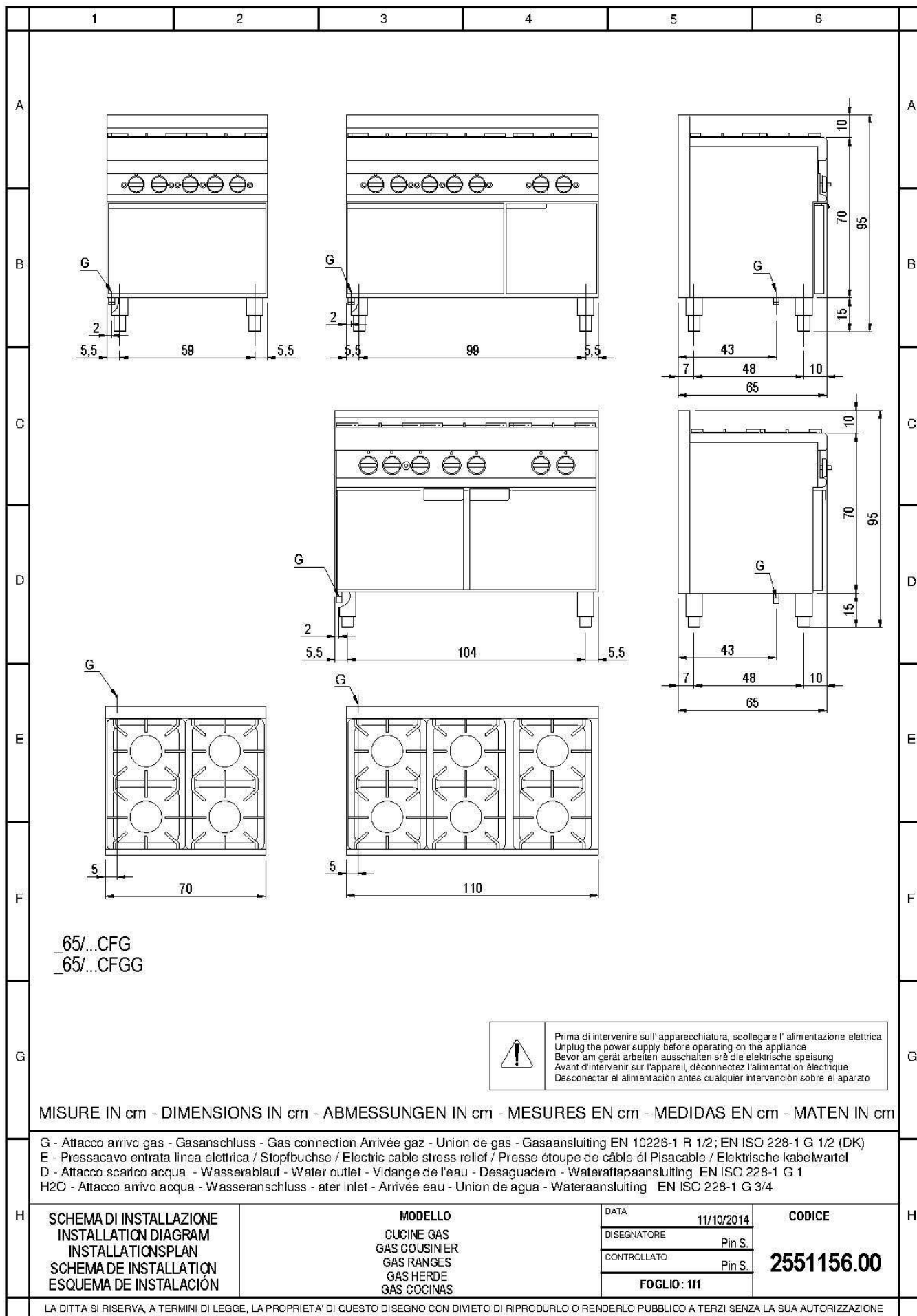


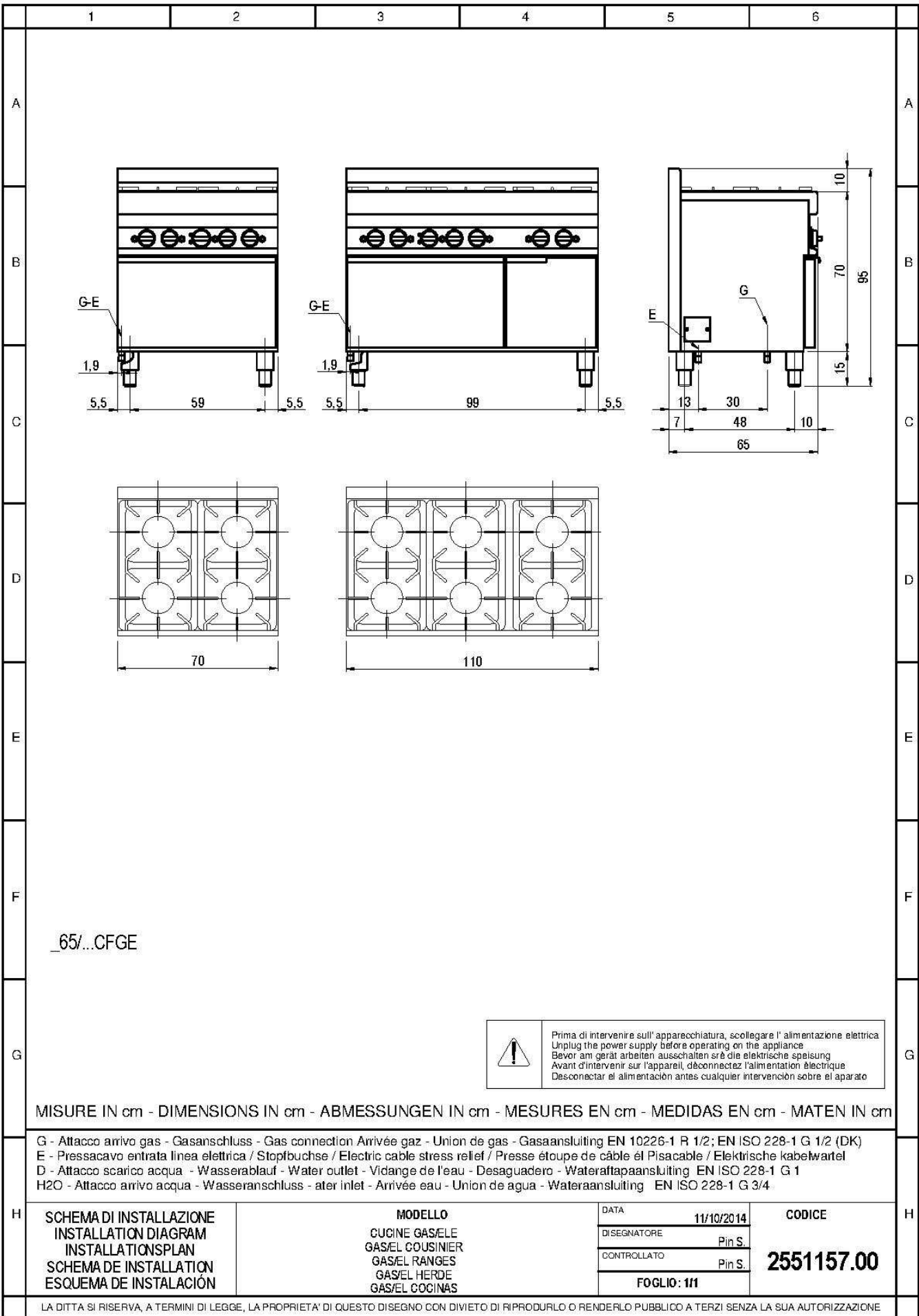


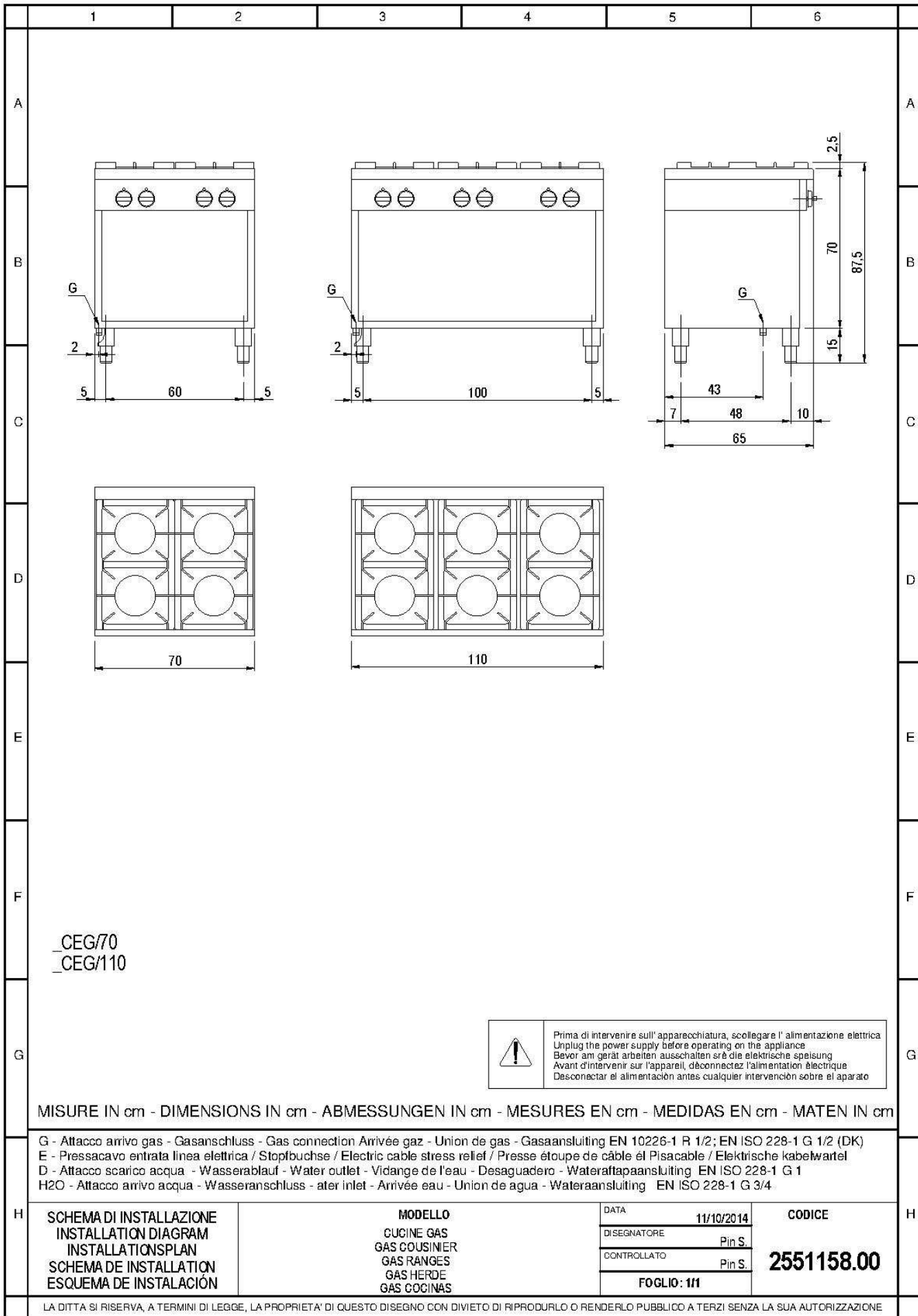


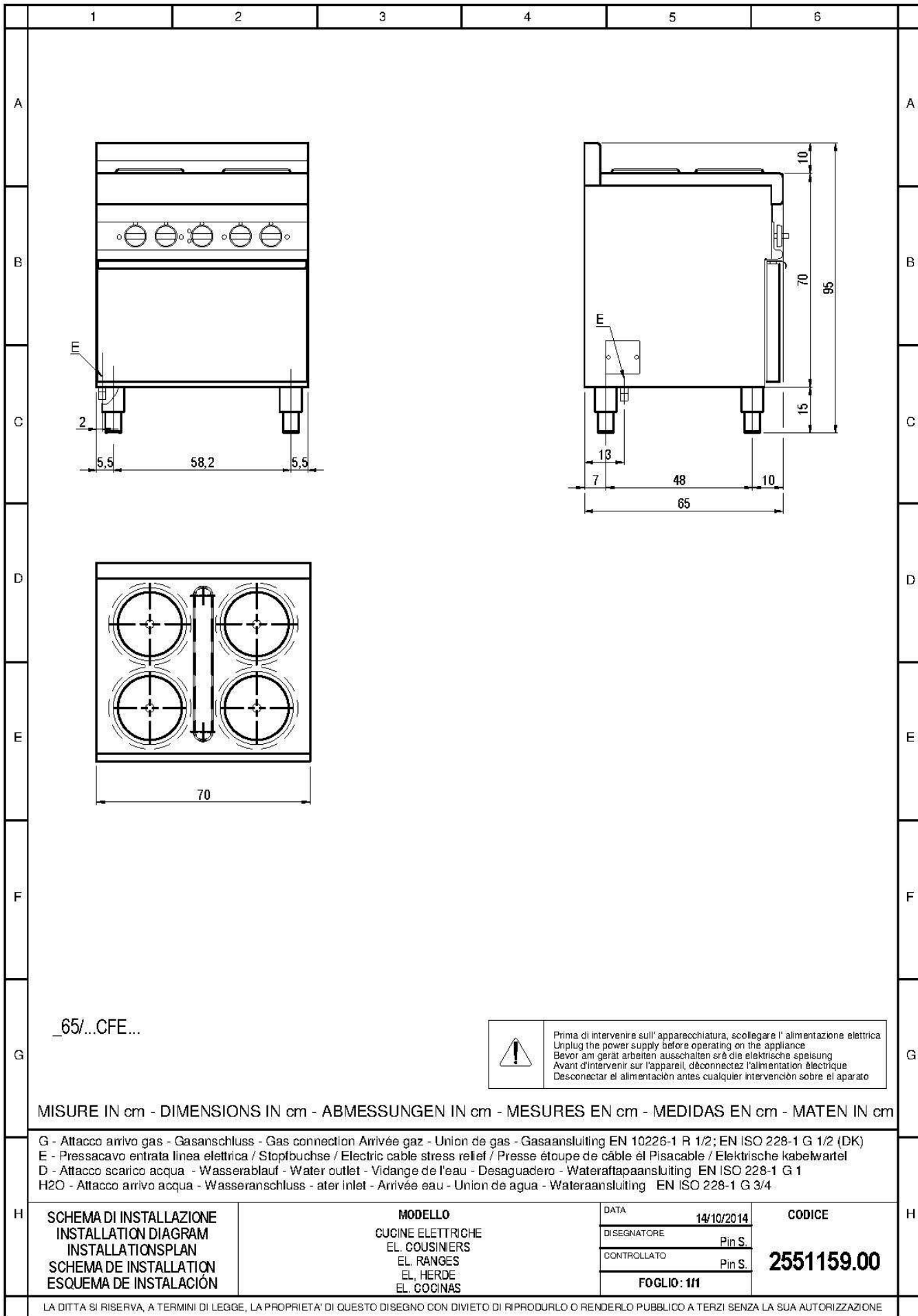


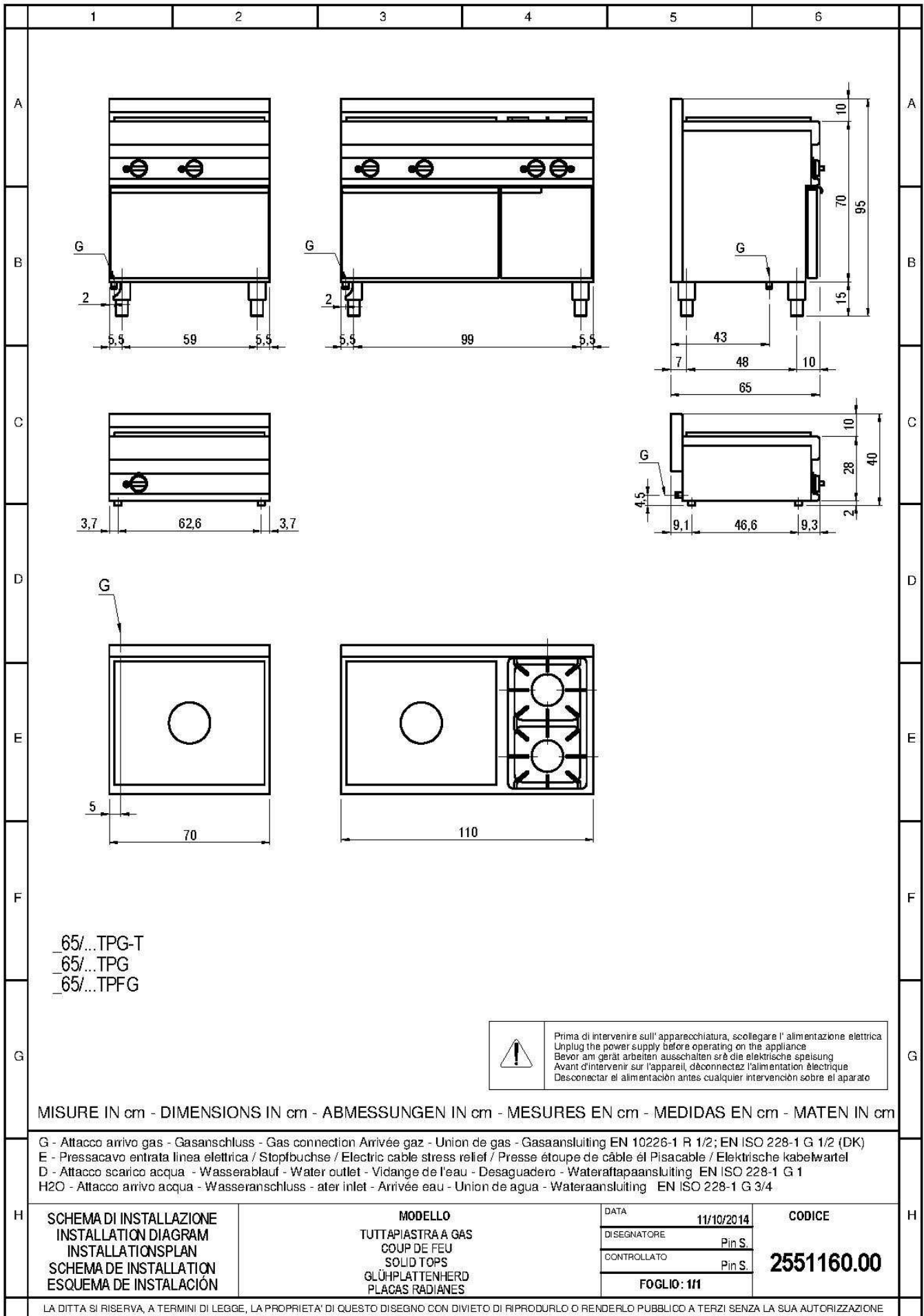
	1	2	3	4	5	6													
A																			
B																			
C																			
D																			
E																			
F																			
G	<p>65/...PCG 65/...PG/40 P</p> <div style="border: 1px solid black; padding: 5px; margin: 10px auto; width: fit-content;"> <p>Prima di intervenire sull'apparecchiatura, scollegare l'alimentazione elettrica Unplug the power supply before operating on the appliance Bevor am Gerät arbeiten ausschalten srê die elektrische speisung Avant d'intervenir sur l'appareil, d'connectez l'alimentation électrique Desconnectar el alimentacion antes cualquier intervencion sobre el aparato</p> </div> <p>MISURE IN cm - DIMENSIONS IN cm - ABMESSUNGEN IN cm - MESURES EN cm - MEDIDAS EN cm - MATEN IN cm</p> <p>G - Attacco arrivo gas - Gasanschluss - Gas connection Arrivée gaz - Union de gas - Gasaansluiting EN 10226-1 R 1/2; EN ISO 228-1 G 1/2 (DK) E - Pressacavo entrata linea elettrica / Stopfbuchse / Electric cable stress relief / Presse étoupe de câble él Pisacable / Elektrische kabelwartel D - Attacco scarico acqua - Wasserablauf - Water outlet - Vidange de l'eau - Desaguadero - Wateraftapaansluiting EN ISO 228-1 G 1 H2O - Attacco arrivo acqua - Wasseranschluss - ater inlet - Arrivée eau - Union de agua - Wateraansluiting EN ISO 228-1 G 3/4</p> <table border="1" style="width: 100%; border-collapse: collapse;"> <tr> <td rowspan="4" style="width: 30%; text-align: center; vertical-align: middle;"> SCHEMA DI INSTALLAZIONE INSTALLATION DIAGRAM INSTALLATIONSPLAN SCHEMA DE INSTALLATION ESQUEMA DE INSTALACIÓN </td> <td style="text-align: center; vertical-align: middle;"> MODELLO CUCINE GAS GAS COUSINIER GAS RANGES GAS HERDE GAS COCINAS </td> <td style="text-align: center; vertical-align: middle;"> DATA 11/10/2014 DI SEGNA TORE Pin S. CONTROLLATO Pin S. FOGLIO: 111 </td> <td style="text-align: center; vertical-align: middle;"> CODICE 2551155.00 </td> </tr> <tr> <td></td> <td></td> <td></td> </tr> <tr> <td></td> <td></td> <td></td> </tr> <tr> <td></td> <td></td> <td></td> </tr> </table> <p>LA DITTA SI RISERVA, A TERMINI DI LEGGE, LA PROPRIETÀ DI QUESTO DISEGNO CON DIVIETO DI RIPRODURLO O RENDERLO PUBBLICO A TERZI SENZA LA SUA AUTORIZZAZIONE</p>						SCHEMA DI INSTALLAZIONE INSTALLATION DIAGRAM INSTALLATIONSPLAN SCHEMA DE INSTALLATION ESQUEMA DE INSTALACIÓN	MODELLO CUCINE GAS GAS COUSINIER GAS RANGES GAS HERDE GAS COCINAS	DATA 11/10/2014 DI SEGNA TORE Pin S. CONTROLLATO Pin S. FOGLIO: 111	CODICE 2551155.00									
SCHEMA DI INSTALLAZIONE INSTALLATION DIAGRAM INSTALLATIONSPLAN SCHEMA DE INSTALLATION ESQUEMA DE INSTALACIÓN	MODELLO CUCINE GAS GAS COUSINIER GAS RANGES GAS HERDE GAS COCINAS	DATA 11/10/2014 DI SEGNA TORE Pin S. CONTROLLATO Pin S. FOGLIO: 111	CODICE 2551155.00																
H																			

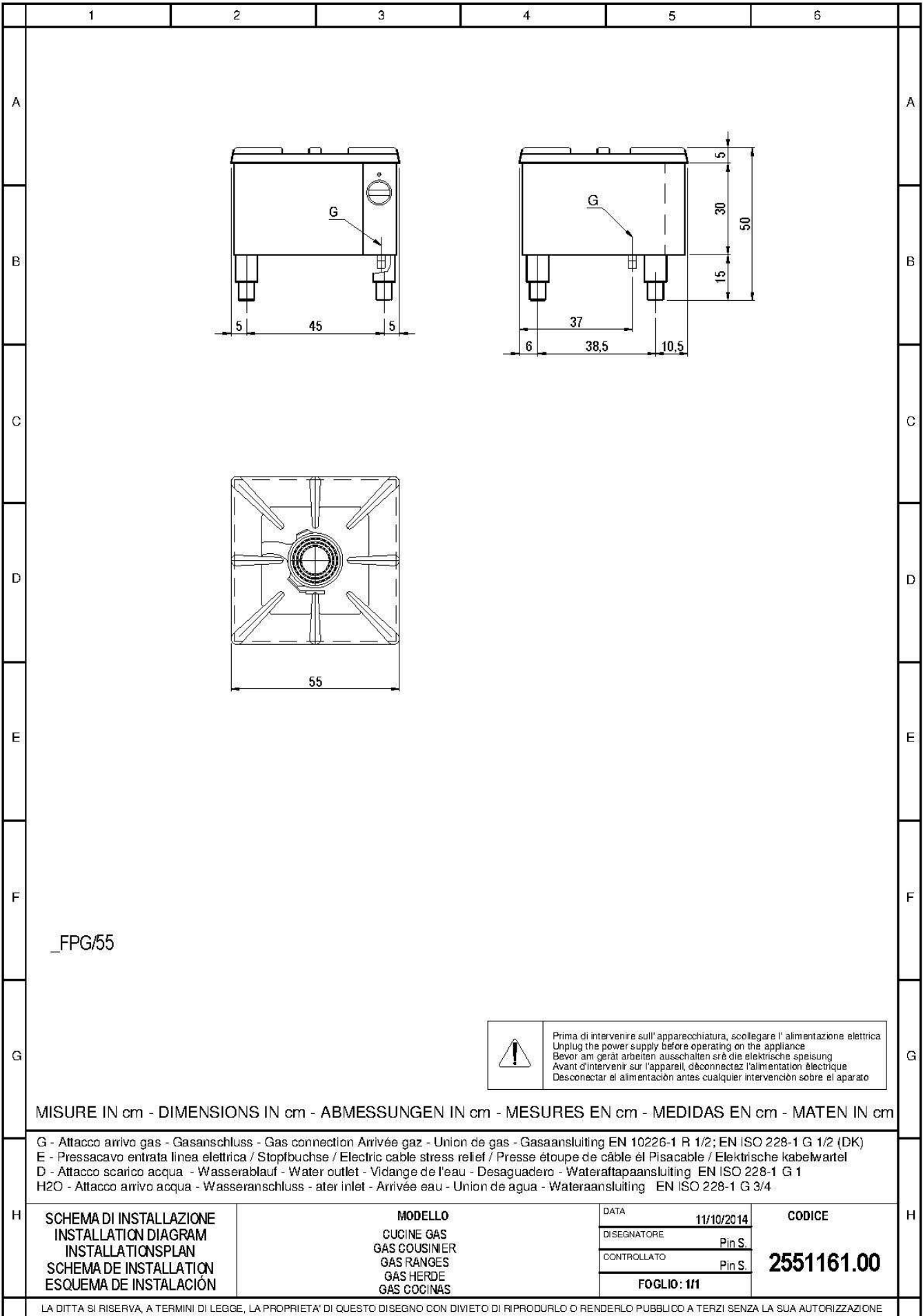


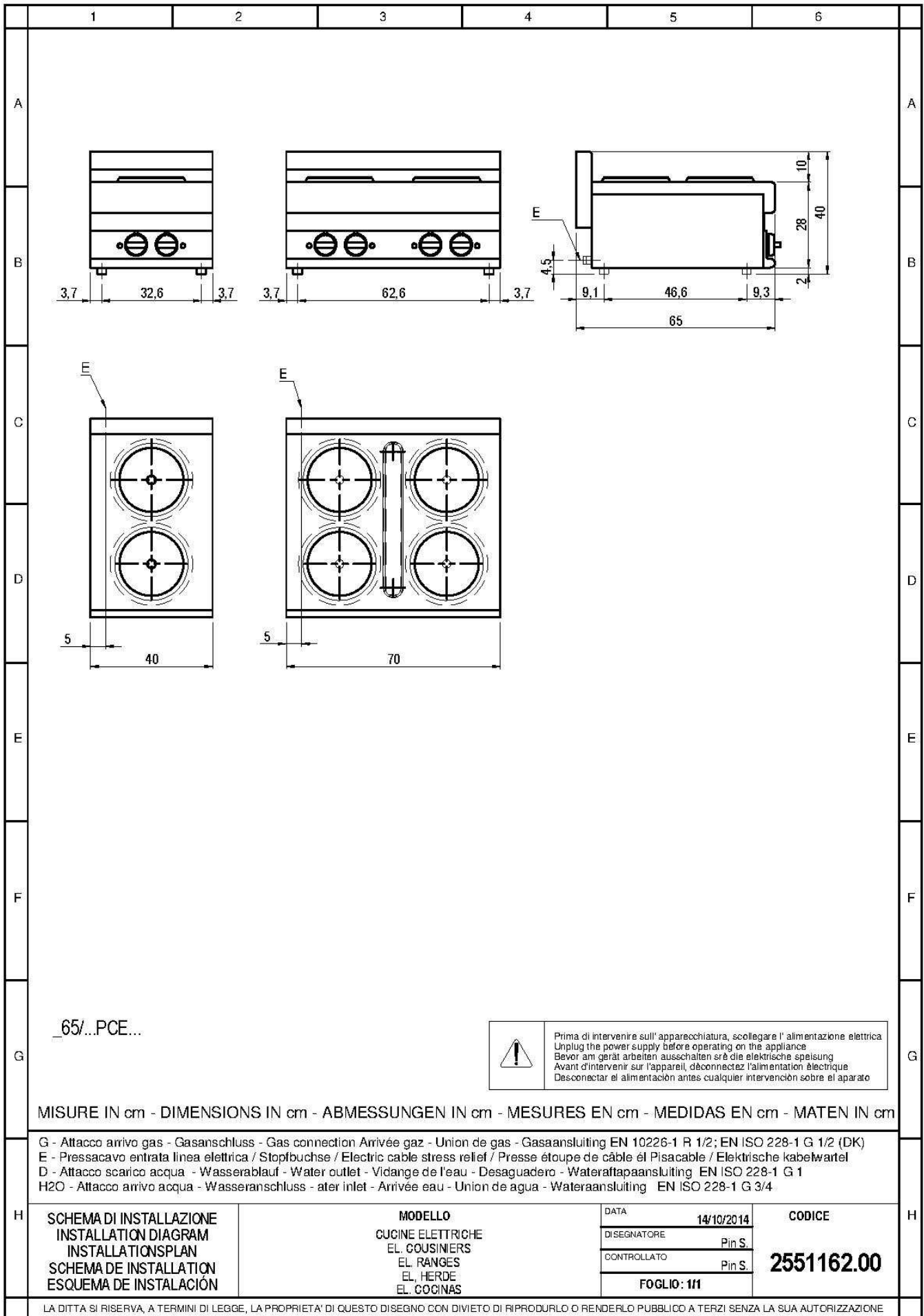


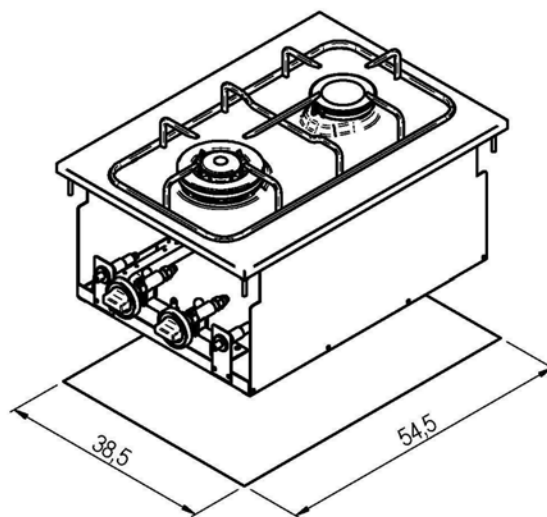
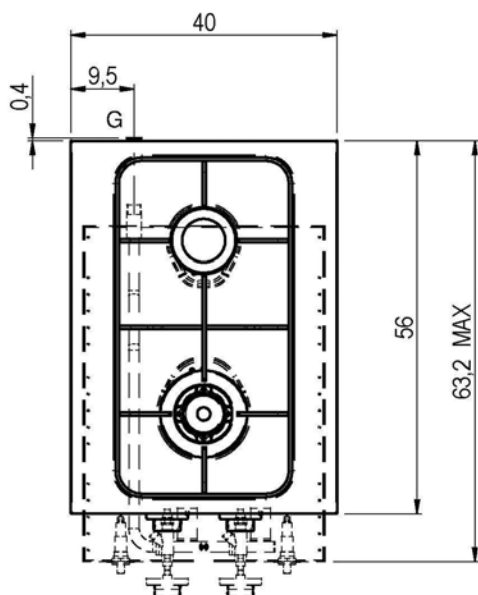
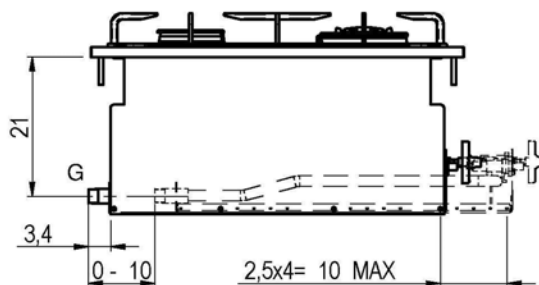
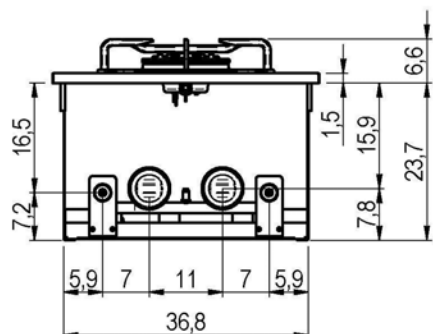












60/40 PCG-D

Prima di intervenire sull'apparecchiatura, scollegare l'alimentazione elettrica
 Unplug the power supply before operating on the appliance
 Bevor am gerät arbeiten ausschalten sré die elektrísche speisung
 Avant d'intervenir sur l'appareil, déconnectez l'alimentation électrique
 Desconectar el alimentación antes cualquier intervención sobre el aparato

MISURE IN cm - DIMENSIONS IN cm - ABMESSUNGEN IN cm - MESURES EN cm - MEDIDAS EN cm - MATEN IN cm

G - Attacco arrivo gas - Gasanschluss - Gas connection Arrivée gaz - Union de gas - Gasaansluiting EN 10226-1 R 1/2; EN ISO 228-1 G 1/2 (DK)
 E - Pressacavo entrata linea elettrica / Stopfbuchse / Electric cable stress relief / Presse étoupe de câble él Pisacable / Elektrische kabelwartel
 D - Attacco scarico acqua - Wasserablauf - Water outlet - Vidange de l'eau - Desaguadero - Wateraftapaansluiting EN ISO 228-1 G 1
 H2O - Attacco arrivo acqua - Wasseranschluss - ater inlet - Arrivée eau - Union de agua - Wateraansluiting EN ISO 228-1 G 3/4

SCHEMA DI INSTALLAZIONE
 INSTALLATION DIAGRAM
 INSTALLATIONSPLAN
 SCHEMA DE INSTALLATION
 ESQUEMA DE INSTALACIÓN

MODELLO

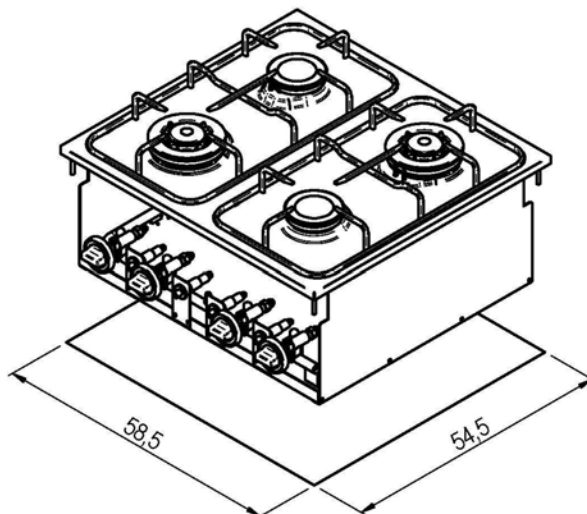
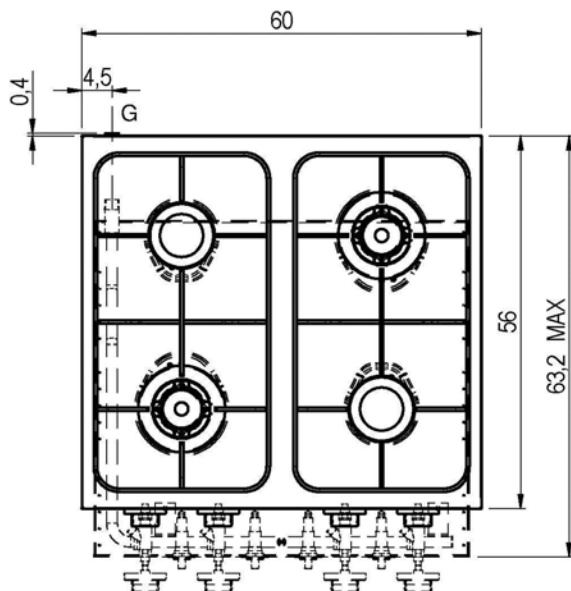
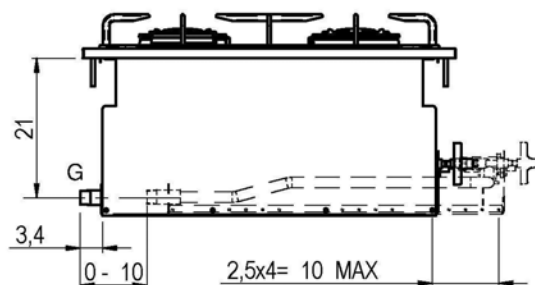
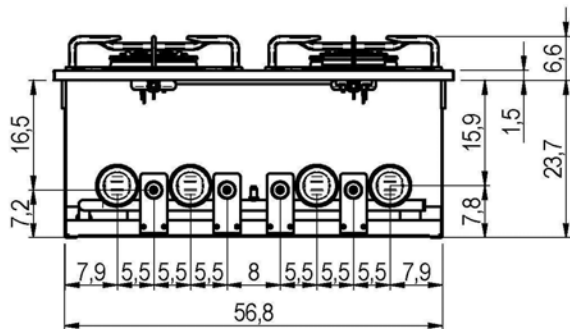
PIANO COTTURA GAS DROP IN
 GAS BOILING UNIT DROP IN
 GASKOCHFELD DROP IN
 PLAN CUISSON GAZ DROP IN
 COCINA A GAS DROP IN

DATA	18/12/2014
DISEGNATORE	Possamai F.
CONTROLLATO	Possamai F.
FOGLIO: 1/1	

CODICE

2551074.00

LA DITTA SI RISERVA, A TERMINI DI LEGGE, LA PROPRIETA' DI QUESTO DISEGNO CON DIVIETO DI RIPRODURLO O RENDERLO PUBBLICO A TERZI SENZA LA SUA AUTORIZZAZIONE



60/60 PCG-D



Prima di intervenire sull'apparecchiatura, scollegare l'alimentazione elettrica
 Unplug the power supply before operating on the appliance
 Bevor am gerät arbeiten ausschalten sré die elektrísche speisung
 Avant d'intervenir sur l'appareil, déconnectez l'alimentation électrique
 Desconectar el alimentación antes cualquier intervención sobre el aparato

MISURE IN cm - DIMENSIONS IN cm - ABMESSUNGEN IN cm - MESURES EN cm - MEDIDAS EN cm - MATEN IN cm

G - Attacco arrivo gas - Gasanschluss - Gas connection Arrivée gaz - Union de gas - Gasaansluiting EN 10226-1 R 1/2; EN ISO 228-1 G 1/2 (DK)
 E - Pressacavo entrata linea elettrica / Stopfbuchse / Electric cable stress relief / Presse étoupe de câble él Pisacable / Elektrische kabelwartel
 D - Attacco scarico acqua - Wasserablauf - Water outlet - Vidange de l'eau - Desaguadero - Wateraftapaansluiting EN ISO 228-1 G 1
 H2O - Attacco arrivo acqua - Wasseranschluss - ater inlet - Arrivée eau - Union de agua - Wateraansluiting EN ISO 228-1 G 3/4

SCHEMA DI INSTALLAZIONE
 INSTALLATION DIAGRAM
 INSTALLATIONSPLAN
 SCHEMA DE INSTALLATION
 ESQUEMA DE INSTALACIÓN

MODELLO

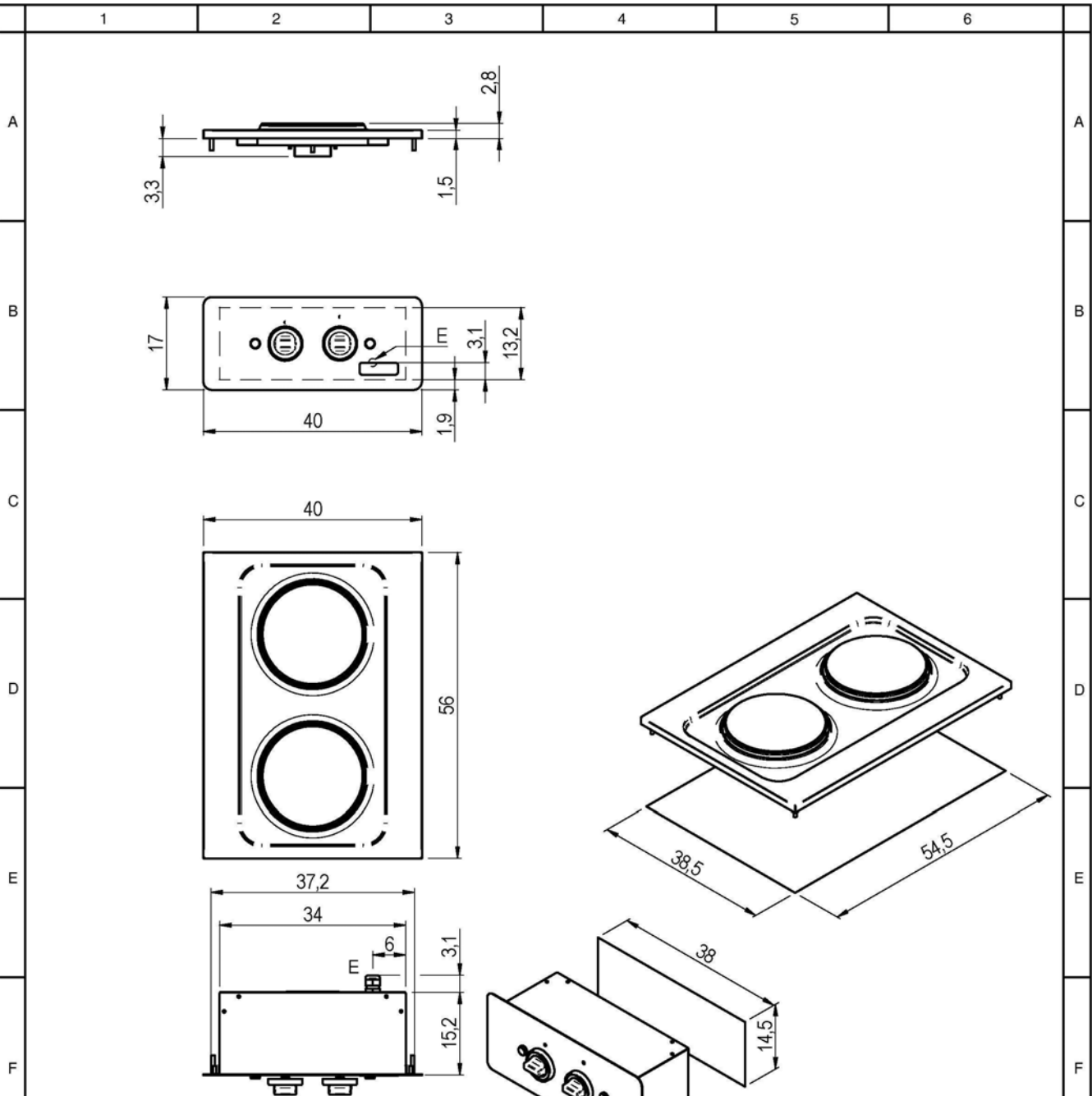
PIANO COTTURA GAS DROP IN
 GAS BOILING UNIT DROP-IN
 GASKOCHFELD DROP IN
 PLAN CUISSON GAZ DROP IN
 COCINA A GAS DROP IN

DATA	18/12/2014
DISEGNATORE	Possamai F.
CONTROLLATO	Possamai F.
FOGLIO: 1/1	

CODICE

2551075.00

LA DITTA SI RISERVA, A TERMINI DI LEGGE, LA PROPRIETA' DI QUESTO DISEGNO CON DIVIETO DI RIPRODURLO O RENDERLO PUBBLICO A TERZI SENZA LA SUA AUTORIZZAZIONE



60/40 PCE-D

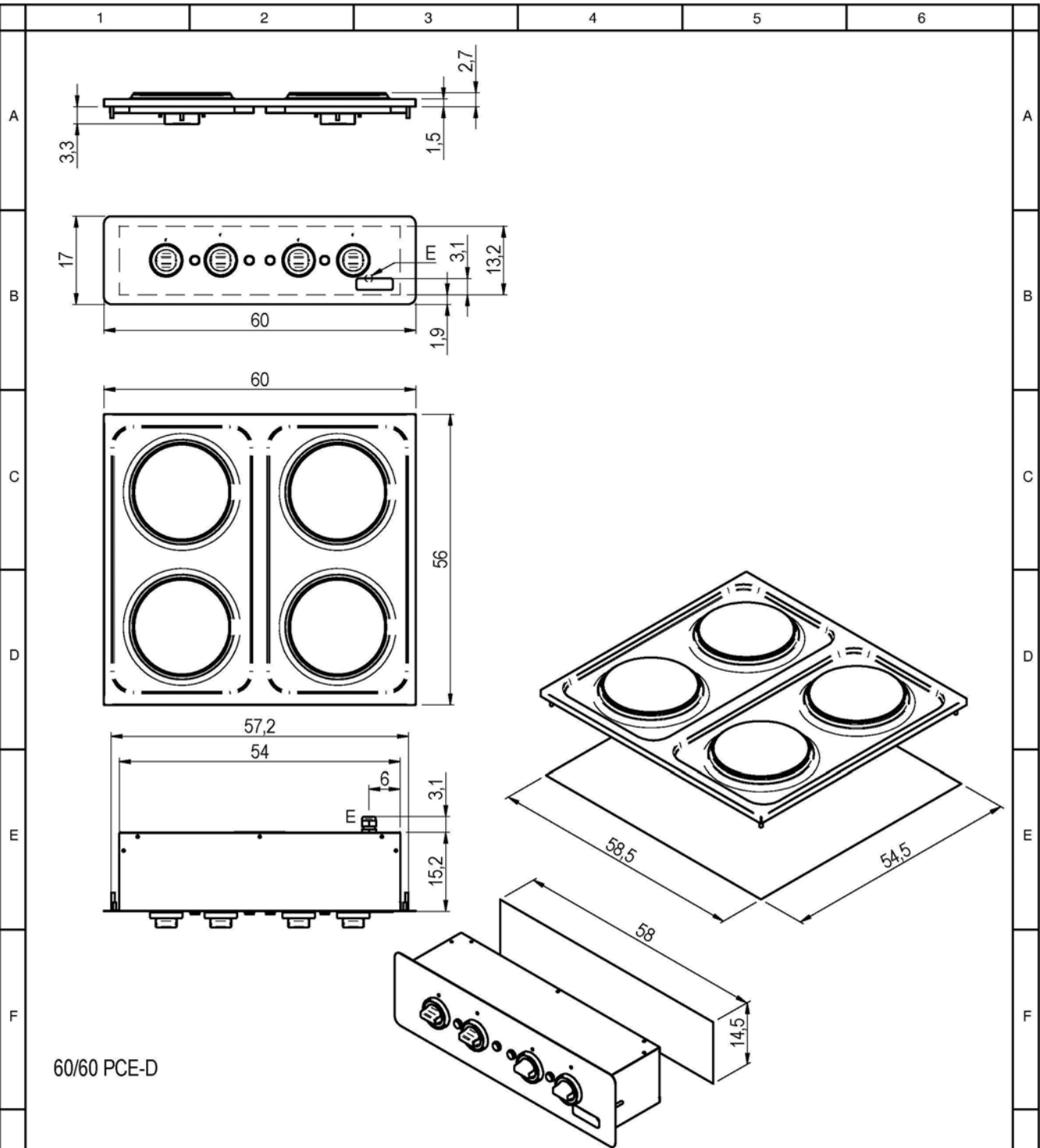
Prima di intervenire sull'apparecchiatura, scollegare l'alimentazione elettrica
 Unplug the power supply before operating on the appliance
 Bevor am gerät arbeiten ausschalten srè die elektrishe speisung
 Avant d'intervenir sur l'appareil, déconnectez l'alimentation électrique
 Desconectar el alimentación antes cualquier intervención sobre el aparato

MISURE IN cm - DIMENSIONS IN cm - ABMESSUNGEN IN cm - MESURES EN cm - MEDIDAS EN cm - MATEN IN cm

G - Attacco arrivo gas - Gasanschluss - Gas connection Arrivée gaz - Union de gas - Gasaansluiting EN 10226-1 R 1/2; EN ISO 228-1 G 1/2 (DK)
 E - Pressacavo entrata linea elettrica / Stopfbuchse / Electric cable stress relief / Presse étoupe de câble él Pisacable / Elektrische kabelwartel
 D - Attacco scarico acqua - Wasserablauf - Water outlet - Vidange de l'eau - Desaguadero - Wateraftapaansluiting EN ISO 228-1 G 1
 H2O - Attacco arrivo acqua - Wasseranschluss - ater inlet - Arrivée eau - Union de agua - Wateraansluiting EN ISO 228-1 G 3/4

H	SCHEMA DI INSTALLAZIONE INSTALLATION DIAGRAM INSTALLATIONSPLAN SCHEMA DE INSTALLATION ESQUEMA DE INSTALACIÓN	MODELLO PIANO COTTURA ELETTRICO DROP IN ELECTRIC COOKING TOP DROP IN ELEKTROKOCHFELD DROP IN TABLE DE CUISSON ELECTRIQUE DROP IN PLANO DE COCCION ELECTRICO DROP IN	DATA	18/12/2014	CODICE
			DISEGNATORE	Possamai F.	
			CONTROLLATO	Possamai F.	2551076.00
			FOGLIO: 1/1		

LA DITTA SI RISERVA, A TERMINI DI LEGGE, LA PROPRIETA' DI QUESTO DISEGNO CON DIVIETO DI RIPRODURLO O RENDERLO PUBBLICO A TERZI SENZA LA SUA AUTORIZZAZIONE



Prima di intervenire sull'apparecchiatura, scollegare l'alimentazione elettrica
 Unplug the power supply before operating on the appliance
 Bevor am gerät arbeiten ausschalten srè die elektrishe speisung
 Avant d'intervenir sur l'appareil, déconnectez l'alimentation électrique
 Desconectar el alimentación antes cualquier intervención sobre el aparato

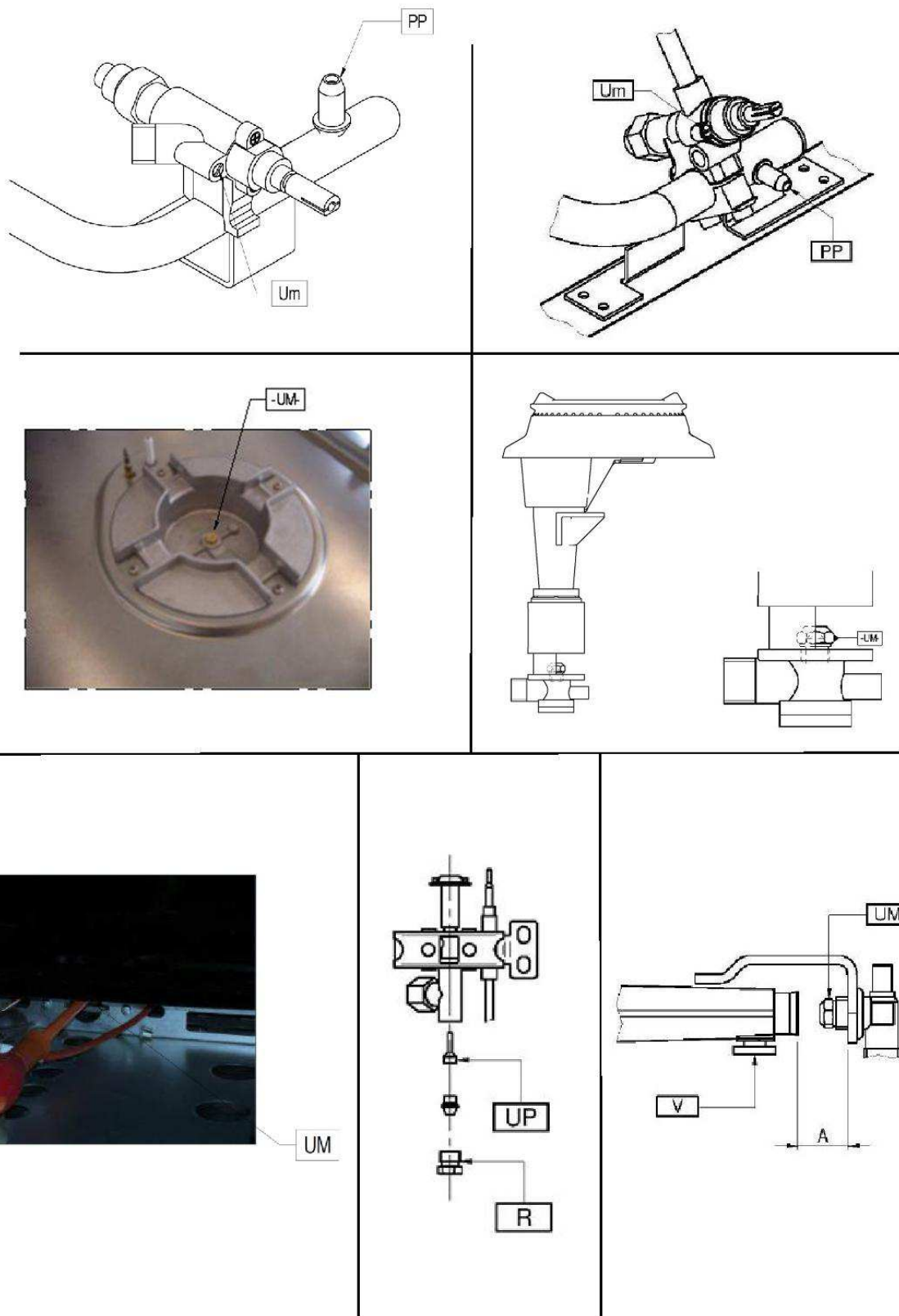
MISURE IN cm - DIMENSIONS IN cm - ABMESSUNGEN IN cm - MESURES EN cm - MEDIDAS EN cm - MATEN IN cm

G - Attacco arrivo gas - Gasanschluss - Gas connection Arrivée gaz - Union de gas - Gasaansluiting EN 10226-1 R 1/2; EN ISO 228-1 G 1/2 (DK)
 E - Pressacavo entrata linea elettrica / Stopfbuchse / Electric cable stress relief / Presse étoupe de câble él Pisacable / Elektrische kabelwartel
 D - Attacco scarico acqua - Wasserablauf - Water outlet - Vidange de l'eau - Desaguadero - Wateraftapaansluiting EN ISO 228-1 G 1
 H2O - Attacco arrivo acqua - Wasseranschluss - ater inlet - Arrivée eau - Union de agua - Wateraansluiting EN ISO 228-1 G 3/4

H	SCHEMA DI INSTALLAZIONE INSTALLATION DIAGRAM INSTALLATIONSPLAN SCHEMA DE INSTALLATION ESQUEMA DE INSTALACIÓN	MODELLO PIANO COTTURA ELETTRICO DROP IN ELECTRIC COOKING TOP DROP IN ELEKTROKOCHELD DROP IN TABLE DE CUISSON ELECTRIQUE DROP IN PLANO DE COCCION ELECTRICO DROP IN	DATA	18/12/2014	CODICE
			DISEGNATORE	Possamai F.	
			CONTROLLATO	Possamai F.	2551077.00
			FOGLIO: 1/1		

LA DITTA SI RISERVA, A TERMINI DI LEGGE, LA PROPRIETA' DI QUESTO DISEGNO CON DIVIETO DI RIPRODURLO O RENDERLO PUBBLICO A TERZI SENZA LA SUA AUTORIZZAZIONE

VII. FIGURE – ABB. – FIG. FIGURE-FIG.-IMAGE-ABB.-CIFRAS-AFBEELDINGEN



VIII. TAB1 - DATI TECNICI - TECHNICAL DATA - TECHNISCHE DATEN - CARACTERISTIQUES TECHNIQUES - DATOS TECNICOS - TECHNISCHE GEGEVENS Ugelli e regolazioni - Nozzles and settings - Buses et les paramètres - Dusen und Einstellungen - Boquillas y los ajustes - Verstuivers en regelingen

TAB1														
Gas Gaz	Pa (mbar)	UM UP A Um	600					650						
			FA 2.8 kW	FA 3.6 kW	FA/P 3.3 kW	FA/P 3.6 kW	FG 2.5 kW	FA 7.5 kW	FA 8.8 kW	FA 3.6 kW	FA 5 kW	FG 5 kW	FGG 7.5 kW	TP 8.2 kW
G20 G20/G25	20 20/25	UM	115	135	130	140	113	215	225L	142	175	180	230	215L
		UP	-	-	-	-	-	35	35	-	-	-	-	35
		A (mm)	-	-	-	-	-		24	2	2	-	8	-
		Um	REG	REG	REG	REG	-	REG	REG	REG	REG	REG	REG	REG
G25	20	UM	134	145	152	157	128	230	250L	160	180L	200	255	245L
		UP	-	-	-	-	-	35	35	-	-	-	-	35
		A (mm)	-	-	-	-	-		24	2	OPEN	-	8	-
		Um	REG	REG	REG	REG	-	REG	REG	REG	REG	REG	REG	REG
G25	25	UM	121	138	137	150	120	215	225L	142	175	180	240	215L
		UP	-	-	-	-	-	35	35	-	-	-	-	35
		A (mm)	-	-	-	-	-		24	2	2	-	8	-
		Um	REG	REG	REG	REG	-	REG	REG	REG	REG	REG	REG	REG
G20	25	UM	113	124	123	132	106							
		UP	-	-	-	-	-							
		A (mm)	-	-	-	-	-							
		Um	REG	REG	REG	REG	-							
G25.1	25	UM	132	138	137	152	128							
		UP	-	-	-	-	-							
		A (mm)	-	-	-	-	-							
		Um	REG	REG	REG	REG	-							
G30/G31	28-30/37 28-30	UM	85	95	95	100	76	140	150L	97	113	120	150	145L
		UP	-	-	-	-	-	20	20	-	-	-	-	10
		A (mm)	-	-	-	-	-	OPEN	28	3	OPEN	-	9	9
		Um	44	65	44	65	-	90	80	60	60	55	85	90
G30/G31	37	UM	80	87	89	95	72							
		UP	-	-	-	-	-							
		A (mm)	-	-	-	-	-							
		Um	44	65	44	65	-							
G30/G31	50	UM	75	75	80	80	67	120	135L	85	100	100	130	130L
		UP	-	-	-	-	-	20	20	-	-	-	-	20
		A (mm)	-	-	-	-	-	3.5	28	3	7	5	9	-
		Um	44	65	44	65	-	90	70	40	55	50	75	90
G110	8	UM	280	315	280	315	225			280	360	480LF		450L
		UP	-	-	-	-	-			-	-	-		REG
		A (mm)	-	-	-	-	-			1.5	2.5	OPEN		25
		Um	OPEN	OPEN	OPEN	OPEN	-			REG	REG	REG		REG
G120	8	UM	258	300	258	300	210			265	320	460L		425L
		UP	-	-	-	-	-			-	-	-		REG
		A (mm)	-	-	-	-	-			1.5	2.5	OPEN		32
		Um	OPEN	OPEN	OPEN	OPEN	-			REG	REG	REG		REG

Pa : Pressione di allacciamento - Anschlussdruck - Supply pressure - Pression de raccordement - Presión de conexión - Aansluitdruk
UM : Ugello MAX - Duse MAX - MAX nozzle - Buse MAX - Boquilla MAX - Sproeier MAX
Um : Ugello MIN - Duse MIN - MIN nozzle - Buse MIN - Boquilla MIN - Sproeier MIN
UP : Pilota - Zündbrenner - Pilot - Veilleuse gaz - Piloto - Waakvlam
A : Apertura Aeratore - Öffnen Luftring - Aerator Opening - Ouverture Aérateur - Abertura del aireador - Opening beluchter
FA : Fuoco aperto - Offene Kochstellen - Open burner - Feux vifs - Fuego abietto - Open brander
FG : Forno - Backofen - Oven - Four - Hornos - Oven
FGG : Forno maxi - Backofen maxi - Oven maxi - Four à maxi - Horno maxi - Oven maxi
TP : Tuttapietra - Glühplatte - Cooking hot plate - Plaque coup-de-feu - Placas radiantes - Gloeiplaathaard
REG : Regolato - Eingestellt - Regulated - Règle - Regulado - Geregeld
P : Piastra riscaldante - Warmplatte - Warming plate - Plaque chauffante - Placa de calentamiento - Straalplaten
(1) Boccola con diametro interno 16mm - Lufthülse mit innendurchmesser 16mm benutzen - Use air regulator with inner diameter of 16mm - Utiliser le régulation de l'air ayant un diamètre intérieur de 16mm - Utilizar le regulador de aire con diámetro interior 16mm - Gebruik luchtregelaar met een inwendige diameter van 16mm
* by pass 100 da tutto chiuso aperto 2 giri
**by pass 120 da tutto chiuso aperto 3 giri

IX. TAB2 - DATI TECNICI - TECHNICAL DATA - TECHNISCHE DATEN - CARACTERISTIQUES TECHNIQUES - DATOS TECNICOS - TECHNISCHE GEGEVENS Categoria e pressioni - Categories and pressures - Catégories et pressions - Kategorien e Druck - Las categorías y las presiones - Categoríeën en druk

Paese Land Country Pays Pais	Categoria Kategorie Category Catégorie Categoria Categoria	Gas-Gaz	Pressione di allacciamento Anschlussdruck Supply pressure Pression de raccordement Pression de connexion Aansluitdruk (mbar)		
			Nom. Neen. Norm. Normal	Min.	Max
PL	I2E	G20	20	17	25
LU CY	I3+	G30/G31	28-30/37	20/25	35/45
NO CY MT IS HU	I3B/P	G30/G31	28-30	25	35
PL	I3B/P	G30/G31	37	25	45
BE FR	II2E+3+	G20/G25	20/25	17/20	25/30
		G30/G31	28-30/37	20/25	35/45
DE	II2ELL3B/P	G20	20	17	25
		G25	20	18	25
		G30/G31	50	42,5	57,5
ES GB GR IE IT PT SK CH	II2H3+	G20	20	17	25
		G30/G31	28-30/37	20/25	35/45
MK UA FI BG EE LV LT CZ SI TR HR RO SK SE DK AL NO RA	II2H3B/P	G20	20	17	25
		G30/G31	28-30	25	35
AT CH	II2H3B/P	G20	20	17	25
		G30/G31	50	42,5	57,5
HU	II2HS3B/P	G20	25	18	33
		G25.1	25	18	33
		G30/G31	28-30	25	35
		G30/G31	50	42,5	57,5
SE	III1ab2H3B/P	G20	20	17	25
		G30/G31	28-30	25	35
		G110	8	6	15
		G120	8	6	15
DK IT	III1a2H3B/P	G20	20	17	25
		G30/G31	28-30	25	35
		G110	8	6	15
NL	II2L3B/P	G25	25	20	30
		G30/G31	28-30	25	35
LU	II2E3+	G20	20	17	25
		G30/G31	28-30/37	20/25	35/45

X: TAB3 - DATI TECNICI - TECHNISCHE DATEN - CARACTERISTIQUES TECHNIQUES - DATOS TECNICOS - TECHNISCHE GEGEVENS Dati tecnici apparecchiature gas - Technical data of gas appliances - Caractéristiques techniques des appareils à gaz - Technische Daten gasgeräte - Datos técnicos de los equipos de gas - Technische gegevens gasapparatuur

Modelli Modelle Models Modelos Modellen	Larghezza Breite Width Largeur Anchura Breedte	FA 2.8 kW	FA 3.3 kW	FA 3.6 kW	FG 2.5 kW	ΣQn	Σqn G110 (8)	Σqn G120 (8)	Consumo gas compressivo - Gasamtgasverbrauch - Total gas consumption - Consommation totale de gaz - Consumo total de gas - Totaal gasverbruik									
									G20 (20)	G25 (25)	G25 (25)	m3/h	m3/h	G20 (25)	G25 (20)	G25.1 (25)	G110 (8)	G120 (8)
_60/40 PCG-D	400	1	1			6.1	8.3	8.3	0.65	0.75	0.75	0.65	0.75	2.14	1.91	0.48	0.48	0.48
_60/60 PCG-D	600	2	2			12.2	16.6	16.6	1.29	1.5	1.5	1.29	1.5	4.28	3.81	0.96	0.96	0.96
_60/30 PCG	300	1	1			6.1	8.3	8.3	0.65	0.75	0.75	0.65	0.75	2.14	1.91	0.48	0.48	0.48
_60/30 PCG/P	300		1	1		6.9	13	13	0.73	0.85	0.85	0.73	0.85	3.35	2.98	0.54	0.54	0.54
_60/60 PCG	600	2	2			12.2	16.6	16.6	1.29	1.50	1.50	1.29	1.50	4.28	3.81	0.96	0.96	0.96
_60/60 PCG/P	600		2	2		13.8	26	26	1.46	1.70	1.70	1.46	1.70	6.71	5.97	1.09	1.09	1.09
_60/90 PCG	900	2	3			15.5	22.1	22.1	1.64	1.91	1.91	1.64	1.90	5.70	5.07	1.22	1.22	1.22
_60/90 PCG/P	900		2	3		17.4	33.5	33.5	1.84	2.14	2.14	1.84	2.14	8.65	7.69	1.37	1.37	1.37
_60/60 CFG	600	2	2			12.2	16.6	16.6	1.29	1.50	1.50	1.29	1.50	4.28	3.81	0.96	0.96	0.96
_60/60 CFGE	600	2	2			12.2	16.6	16.6	1.29	1.50	1.50	1.29	1.50	4.28	3.81	0.96	0.96	0.96
_60/60 CFGE/P 2/3	600	2	2			12.2	16.6	16.6	1.29	1.50	1.50	1.29	1.50	4.28	3.81	0.96	0.96	0.96
_60/90 CFGE	900	2	3			15.5	22.1	22.1	1.64	1.91	1.91	1.64	1.90	5.70	5.07	1.22	1.22	1.22
_60/90 CFGE/P	900		2	3		17.4	33.5	33.5	1.84	2.14	2.14	1.84	2.14	8.65	7.69	1.37	1.37	1.37

TAB.3

Modelli Modelle Models Modelos Modellen	Larghezza Breite Width Largeur Anchura Breedte	FA	FA	FA	FA	FA	FA	FG	FG	TP	ΣQn	Σqn G110 (8)	Σqn G120 (8)	Consumo gas compressivo - Gasamtgasverbrauch - Total gas consumption - Consommation totale de gaz - Consumo total de gas - Totaal gasverbruik									
		Nr.° 3.5 kW	Nr.° 3.6 kW	Nr.° 5 kW	Nr.° 7.5 kW	Nr.° 5 kW	Nr.° 7.5 kW	Nr.° 1	Nr.° 1	Nr.° 1	Nr.° 8.2 kW	kW	kW	kW	G20 (20) m3/h	G25 (25) m3/h	G20 (25) m3/h	G25.1 (25) m3/h	G110 (8) m3/h	G120 (8) m3/h	G30 (29) Kg/h	G30 (37) Kg/h	G30 (50) Kg/h
_65/40 PG/40 P	400					1					7.5	-	-	0.79	0.92	0.79	0.92	-	-	-	0.59	0.59	0.59
_65/40 PCG	400	1	1								8.6	8.6	8.6	0.91	1.06	0.91	1.06	2.22	1.97	0.68	0.68	0.68	
_65/70 PCG	700	2	2								17.2	17.2	17.2	1.82	2.12	1.82	2.11	4.44	3.95	1.36	1.36	1.36	
_CEG/70	700	2	2								17.2	17.2	17.2	1.82	2.12	1.82	2.11	4.44	3.95	1.36	1.36	1.36	
_CEG/110	1100	3	3								25.8	25.8	25.8	2.73	3.18	2.73	3.17	6.66	5.92	2.03	2.03	2.03	
_65/70 CFG	700	2	2				1				22.2	22.2	22.2	2.35	2.73	2.35	2.73	5.73	5.10	1.75	1.75	1.75	
_65/70 CFGE	700	2	2								17.2	17.2	17.2	1.82	2.12	1.82	2.11	4.44	3.95	1.36	1.36	1.36	
_65/110 CFG	1100	3	3				1				30.8	30.8	30.8	3.26	3.79	3.26	3.78	7.95	7.07	2.43	2.43	2.43	
_65/110 CFGE	1100	3	3								25.8	25.8	25.8	2.73	3.18	2.73	3.17	6.66	5.92	2.03	2.03	2.03	
_65/110 CFGG	1100	3	3					1			33.3	-	-	3.52	4.10	3.52	4.09	-	-	2.63	2.63	2.63	
_65/70 TPG	700									1	8.2	8.2	8.2	0.87	1.01	0.87	1.01	2.12	1.88	0.65	0.65	0.65	
_65/70 TPGF	700						1			1	13.2	13.2	13.2	1.40	1.62	1.40	1.62	3.41	3.03	1.04	1.04	1.04	
_65/110 TPGF	1100	1	1				1			1	21.8	21.8	21.8	2.31	2.68	2.31	2.68	5.63	5.01	1.72	1.72	1.72	
_FPG/55	550	1									3.5	-	-	0.37	0.43	0.37	0.43	-	-	0.28	0.28	0.28	

XI. TAB4 - DATI TECNICI - TECHNISCHE DATEN - CARACTERISTIQUES TECHNIQUES - DATOS TECNICOS- TECHNISCHE GEGEVENS Dati tecnici apparecchiature elettriche - Dati tecnici a Technical data of electric appliances - Caractéristiques techniques des appareils électriques - Technische Daten Elektrogeräte - Datos técnicos de los equipos eléctricos - Technische gegevens elektrische apparatuur

TAB.4									
Modelli Modelle Models Modelos Modellen	Larghezza Breite Width Largeur Anchura Breedte	Tensione di alimentazione Netzspannung Power supply voltage Tension d'alimentation Voedingsspanning	Fasi Phasen Phases Fases Fasen	Frequenza Frequenz Frequency Fréquence Frecuencia Frequentie	Piastra Platten Plates Plaques Planchas Planten	Potenza massima piastra Hochleistung platten Puisance maximum des plaques Potencia maxima placas Maximumvermogen platen	Potenza massima forno Hochleistung backofen Puisance maximum du four Potencia maxima horno Maximumvermogen oven	Potenza totale massima Max. gesamtleistung Puisance totale maximum Potencia maxima total Max total vermogen	Sezione cavo alimentazione Querschnitt netzkabel Power supply cable section Section du cable de alimentation Doorsnede elektrisch snoer
	mm	V	Nr. No. Nbre N. A ant.	Hz	Nr. No. Nbre N. A ant.	kW		kW	
_60/40 PCE-D	400	380-415	3N	50-60	2	3	3	3	5G1.5
_60/60 PCE-D	600	380-415	3N	50-60	4	6	6	6	5G1.5
_60/30 PCE	300	380-415	3N	50-60	2	3	3	3	5G1.5
_60/30 PCE/P	300	380-415	3N	50-60	2	4	4	4	5G1.5
_60/30 PCE2/P	300	220-240	1N	50-60	2	4	4	4	3G2.5
_60/60 PCE	600	380-415	3N	50-60	4	6	6	6	5G1.5
_60/60 PCE/P	600	380-415	3N	50-60	4	8	8	8	5G2.5
_60/60 PCE2/P	600	220-240	1N	50-60	4	8	8	8	3G2.5
_60/90 PCE	600	380-415	3N	50-60	5	7.5	7.5	7.5	5G2.5
_60/90 PCE/P	600	380-415	3N	50-60	5	10	10	10	5G2.5
_60/60 CFE	600	380-415	3N	50-60	4	6	2.3	8.3	5G2.5
_60/60 CFE/P 2/3	600	380-415	3N	50-60	4	8	3	11	5G2.5
_60/90 CFE	600	380-415	3N	50-60	4	7.5	3	10.5	5G1.5
_60/90 CFE/P	600	380-415	3N	50-60	4	10	3	13	5G2.5
_60/60 CFGE	600	220-240	1N	50-60		2.3	2.3	2.3	3G1.5
_60/60 CFGE/P 2/3	600	220-240	1N	50-60		3	3	3	3G1.5
_60/90 CFGE	600	220-240	1N	50-60		3	3	3	3G1.5

_60/90 CFGE/P	600	220-240	1N	50-60			3	3	3G1.5
_65/40 PCE	400	380-415	3N	50-60	5.2				5G1.5
_65/70 PCE	700	380-415	3N	50-60	10.4				5G2.5
_65/70 CFE	700	380-415	3N	50-60	10.4		3.96	14.36	5G4
_65/70 CFGE	700	380-415	3N	50-60			3.96	3.96	5G1
_65/110 CFGE	1100	380-415	3N	50-60			3.96	3.96	5G1
_FPE/55	550	380-415	3N	50-60	8.8	1		3.5	5G1