



# SALAMANDER

Modelnr.: \*688.003



## OPERATION MANUAL

In order to make full use of its functions and minimize unnecessary loss and damage, please read the manual carefully and keep it for future reference.

## 1. FUNCTION AND PURPOSES

- A** This product is made for toasting of both fresh and frozen bread and other flour products.
- B** As well as fresh and frozen meat products.

## 2. PRODUCT SPECIFICATIONS

Table 1. Specifications

<b>Product name</b>	<b>Salamander</b>
Model	*688.033
Input voltage range	220V ~ 240V, 50Hz/60Hz
Power consumption	2000W
Chamber measurement	456x260x160 mm
Box measurement	630x320x280 mm
Temperature range	50-300°C
Time control range	15 min.
Net Weight	13.5 kg

## 3. DISPLACEMENT AND STORAGE

During displacement, the machine should be carefully handled and prevented from being jolted too hard. When still unpacked, it should not be stored outdoors, but in a ventilated warehouse away from the possibility of contacting corrosive gas. It should not be placed upside down. If for any reasons this product should be placed outdoors, please make sure it is safe from rain and dirt.

## 4. PREPARATION

- A** Installation of power supply is suggested to be done by qualified personnel.
- B** By the temperature switch there is a light which lights up once the switch is turned clockwise. Temperature will start rising once this move is made, temperature will rise inside the oven gradually. Once the inner temperature reaches a certain level, the light goes out and it's ready to wake and toast the best foods you could ever make with our products.
- C** Ratio Indicator Thermostat. The higher the degree of rotation is, the higher the temperature will be. Through its function, various temperature values can be obtained. If the temperature is turned to the highest, it will continuously heat up and the temperature will be at the peak.
- D** During operation, if at any time the heat indicator light goes off, it means that it will no further give heat; it will be necessary to turn the ratio indicator thermostat switch again.
- E** Please remove the film attached on the body surface before operating.
- F** The cable must be connected in accordance with the safety standard of electric appliances.
- G** Check if the voltage and frequency data accord with the requirement on the product's specifications.
- H** Please install a switch with double electrode between the machine and the plug. When the machine is running, the voltage range should not exceed  $\pm 10\%$ .

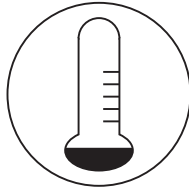
## 5. OPERATION

Please check the specifications and instructions for installation; you should not use the product until you make sure everything is in order.

Turn the temperature switch clockwise to the required value, this will turn on the temperature light.

The temperature inside the oven will start rising as the tubes begin to warm up.

When it reaches its required temperature level, the light will go off indicating that the temperature will keep at a constant level.



Temperature Light Indicator

The product comes with a tray and a rack as accessories.

You can adjust their location depending on usage area to ensure a satisfied cooking.

**Warning:** Please wear gloves with heat insulation while operating.

Do not touch outer cover in case of serious burns.

## 6. CLEANING AND MAINTENANCE

- A** If the supply cord is damaged, replaced it by the manufacturer; its service agent or equally qualified personnel will be best in order to avoid difficulties.
- B** The machine cannot be cleaned while plugged, please unplug before cleaning.
- C** Wait a few minutes for the machine to cool down. Do not use any kind of detergent. Do not use a water hose to clean this appliance, wipe with dry cloth to take out the greasy dirt inside oven and at last a moist cloth to do an end. Please, it is prohibited to use a water hose on it. Remove the cooking tray and rack and dip them in a water sink with cleansing detergent, rinse with water and place them back in the oven once they are completely dry.
- D** It is recommended that this appliance would be best used by qualified personnel.
- E** The operator should read the user's manual carefully as to acknowledge basic functions, before utilizing this appliance.
- F** This manual should be best kept safely for future reference.
- G** It is not recommended that this appliance shall be used for other purposes than toasting, for it only allows a temperature range of 50-300°C.
- H** Unplug the oven before maintenance. Wait a few minutes for it to cool down.
- I** The oven would be best inspected and maintained by professional technicians regularly.

## 7. TROUBLESHOOTING

<b>Problem</b>	<b>Cause</b>	<b>Solution</b>
1. Turn off the power switch but the power light stays on	1. Fuse broken	2. Replace a fuse
3. When the main power is on, the reason is that the other functions are not working:	1. Check if the temperature exceeding protector is cut off	2. Replace a thermostat
3. Indicator light stays off but the thermostat in normal condition	1. Indicator light is not well connected. 2. Indicator light is broken	1. Fix the wiring 2. Replace the indicator light bulb

### **! WARNING**

Any disassembly and wrongful installation, incorrect adjustment and maintenance may lead to property loss or damage. Please contact your supplier if it is necessary to have this product repaired by professionals.

### **! WARNING**

For your own safety, do not place or store any flammable liquid, gas or other objects around or in the product.

## 8. CIRCUIT DIAGRAM

Fig 1.

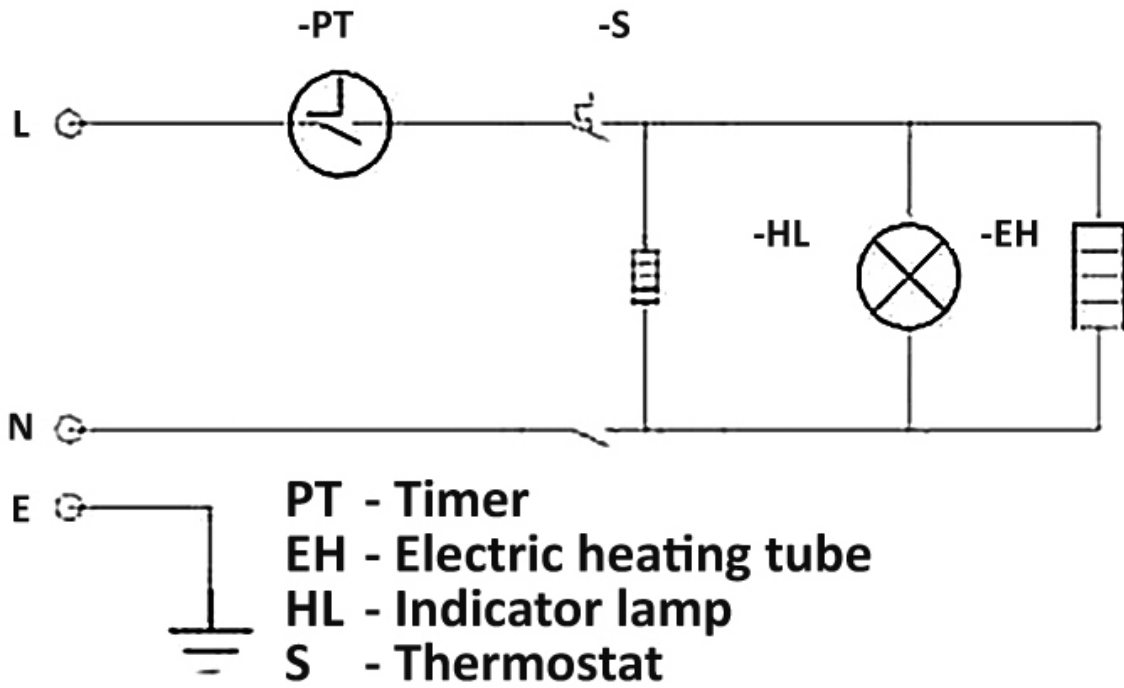


Fig 2.

