



# **BAIN MARIE (BUILT-IN MODEL)**

## **MANUAL**

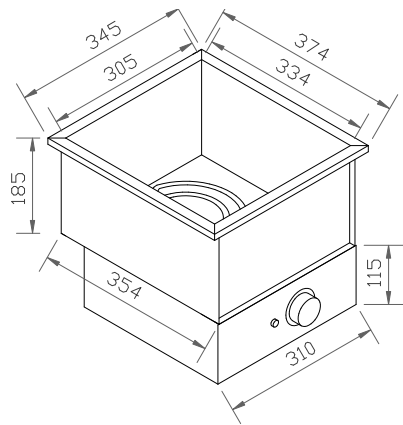
**(899.101 / 899.102 / 899.103 / 899.104)**



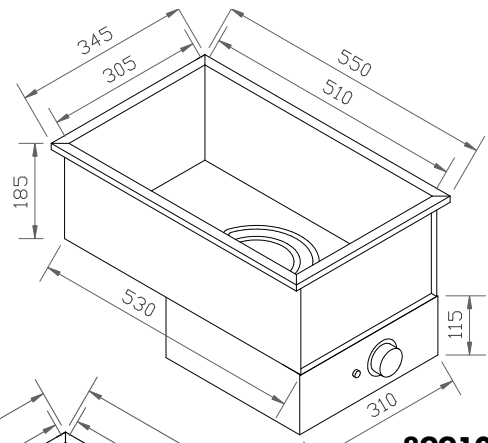
**Englisch**



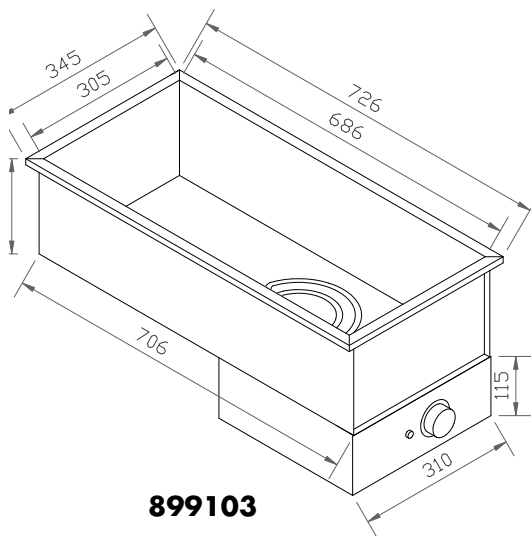
# 1. STRUCTURE



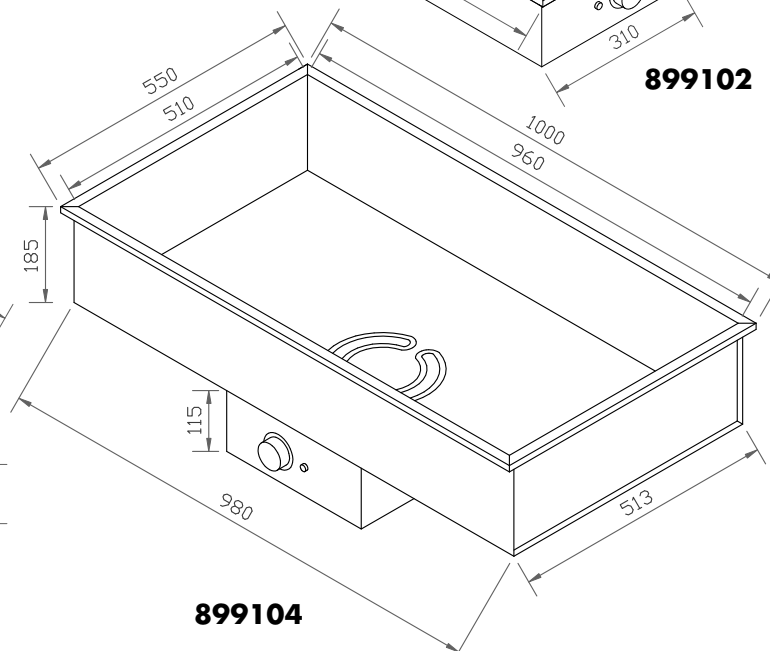
**899101**



**899102**



**899103**



**899104**

## 2. Points for attention

### 2.1 Points for special attention

#### Warning



– This “bain maries” is not suitable choosing for family.  
This “bain maries” must be operated by trained cook because it is a commercial machine.



– The “bain maries” could not be shaken and tilted during the operation.  
Do not dismantle. The dismantlement and alteration can cause property damage, injure or death.



– Do not open the outer casing of the “bain maries”.  
Otherwise the operating staff can get an electric shock in the cause for high tension. For the clearing, the electricity supply must be cut off during the clearing. The water can not be sprinkled to the “bain maries”.  
Do not par the “bain maries” and lay up the things on the “bain maries”.  
Otherwise the irregular operation can cause the property damage, injury or death.



– Do not touch the “thermos tank” and others during the operation even in the front and in the backside.  
The high temperature can cause the scald.



– When there not are enough water in the “thermos tank”, do not open the electric valve.  
Otherwise the irregular operation can cause the “bain maries” damage and fire.

#### Notice!

- When the thunder shower is coming, the electricity supply must be cut off soon.
- It will be avoided the “bain maries” damage in cause for shucking by thunderbolt.
- Do not destroy the control system with hard or sharp things.
- For the safety, when the electricity supply wire is damaged, the repair or replacement must be carried out by the authorized service technician.

### 2.2 Safety device

The temperature limiting control (max 105°C) can safe guard the “thermos tank” for suitable temperature. It will be avoided the accidents in cause for the too high temperature.

(eg.: too high temperature make the “thermos tank” dry. The water has not been filled to the empty thermos tank.)

### 2.3 Close the electricity switch after use.

After use, the control thermostat must be against the clockwise to turn off in closing position. Then the plug must be pulled out and the electricity supply must be cut off.

### 3. Operation instruction

#### 3.1 Place the "bain marie".

The bain maries should be placed on a horizontal plane. The control thermostat of the bain maries should be against the clockwise to turn off in closing position.

#### 3.2 Fill empty "thermos tank" to the water-level line

The water-level line of the bain maries has to do with the height of the pan. The pan should be 25mm above the water-level.

#### 3.3 Put the food into the pan than you put the pan into the "thermos tank".

#### 3.4 Open the electricity switch and rotate thermostat knob to the required temperature.

- When the electricity supply wire is plugged in the special socket of 220v, the power light should be got light. To go clockwise and adjust the "control thermostat", then the temperature light will be got light.
- Drop in the temperature: against clockwise to adjust the "control thermostat".
- Raise the temperature: go clockwise to adjust the "control thermostat".

#### 3.5 the end of concluding operation

The "control thermostat" must be against clockwise to turn off in closing position.

Pull out the plug, cut off the electricity supply.

Pour the water from "thermos tank" (high temperature! Do not touch the "thermos tank" directly.)

The "thermos tank" should be cleared and dried with a wet cotton cloth for using again. (high temperature! Do not touch the "thermos tank" directly.)

### 4. Routine inspection

#### **Warning!**



- The routine inspection must be carried out day by day.
- The routine inspection can avoid accidents.
- When there are abnormal phenomena for the wiring and parts.  
The "bain maries" must be stopped to use at once.

The "bain maries" should be checked in front and behind of cooperation.

In front of using: check the control system whether it damage.

Check the electricity supply wire whether it age, split or damage.

During the using: check the "bain maries" whether it begins to peculiar smell, bad smell or vibration voice.

## 5. Troubleshooting guide

Problem	Probable cause and corrective action
Temperature light is not able to get light.	Check the electricity supplies wire whether it is connected.
	Check the electricity supply whether it is in good shape.
	Check the safety control whether it is connected.
The water is not able to heat.	Check the electricity supplies wire whether it is connected.
	Check the electricity supply whether it is in good shape.
	Check the control thermostat whether it is adjusted the temperature in too low.
The water is boiling	Check the control thermostat whether it is adjusted the temperature in too high.

The above mentioned terms are made for reference only. When there are abnormal phenomena for the "bain maries" or the safety control disconnected, it is said that there are some problems in the wiring. It must be stopped to use at once. Advise the authorized service technician to check and repair it as soon as possible.

## 6. Installation instruction

### 6.1 The points for inspection before installation.

- The place should be smooth and steady. Avoid the fall and leak of gas.
- Do not store or use any flammable vapours or liquids in vicinity of "bain maries".
- The limit for ambient temperature: from 0° to 35°C
- Ambient humidity: max 80 %
- Check the accessories of "bain maries" whether they are completed.
- Check the outward whether it is damaged.

### Connected the electricity supply.

Warning!



Do not connect the electricity supply with objective the standard of this "bain maries".

Do not install the air valve and leakage of electricity switch with objective the safe standard.

Note!

The electricity supply connection and overhaul for the "bain maries" must be carried out by the authorized service technician.

Before the use: the air valve (10a min), leakage of electricity switch, fuse and socket must be installed.

The "ground wire", socket and junction, must be connected in good order. Check they whether they are loosed.