



CHEFTOP™ - BAKERTOP™ MIND.Maps

INSTALLATION MANUAL



CHEFTOP™ - BAKERTOP™ MIND.Maps

INSTALLATION PART

INTRODUCTION	4
FORWARD	4
EXPLANATION OF PICTOGRAMS.....	4
SAFETY REGULATIONS FOR INSTALLATION AND MAINTENANCE	5
UNPACKING THE EQUIPMENT	7
CHECKING PACKAGE CONTENTS.....	8
GETTING STARTED	9
POSITIONING.....	10
POSITIONING - COUNTERTOP OVENS	14
POSITIONING - FREE-STANDING OVENS WITH/WITHOUT TROLLEY.....	17
ELECTRICAL CONNECTIONS	20
GAS CONNECTIONS (ONLY FOR GAS OVENS)	24
PLUMBING CONNECTIONS.....	26
FILLING THE DETERGENT TANK.....	35
EXHAUST (ONLY FOR ELECTRICAL OVENS).....	36
FUMES AND COMBUSTION GASSES EXHAUST (ONLY FOR GAS OVENS)	36
OVEN RESETTING PROCEDURE (RESERVED FOR SERVICE CALLS).....	37
CONNECTING STACKED APPLIANCES (MAXI.LINK).....	37
PLANNED MAINTENANCE SERVICE (ANNUALLY).....	37
DISPOSAL.....	38
CERTIFICATION	38

Introduction

Dear Customer,

We thank you for having purchased an oven / complementary accessory from the **CHEFTOP-BAKERTOP MIND.Maps™** line.

These ovens are the climax of Unox research and guarantee minimum occupation of space with superlative performance while offering outstanding cooking management at any condition of use and load.

The **CHEFTOP-BAKERTOP MIND.Maps™** ovens use UNOX's finest patented technology, which is the result of collaborations with master chefs and the world's leading research institutions.

A wide array of available accessories make these ovens extremely versatile and streamline everyday kitchen duties.

Forward

This booklet shows the installation of **CHEFTOP-BAKERTOP MIND.Maps™** line of appliances.

The **CHEFTOP MIND.Maps™** line of ovens, together with their accessories, allow to complete cooking solutions using the **MAXI.Link** technology dedicated to superb cuisine, such as: **SlowTop** oven with temperature maintainer and combination of two or more ovens.

CHEFTOP MIND.Maps™ are available in gas and electric models; they have digital controls and their capacities are as follows: 5, 10 **GN 1/3** - 5 **GN 2/3** - 3, 5, 7, 10, 20 **GN 1/1** - 6, 10, 20 **GN 2/1**.


The ovens of the **BAKERTOP MIND.Maps™** line, along with their accessories, make it possible to create complete BAKING STATIONS for the production of pastry and baked goods. With these ovens, it is possible to cook: puff pastry, sponge cakes, biscuits, choux pastry, croissants, pizza, focaccia bread, panettone cakes and leavened goods.

The **BAKERTOP MIND.Maps™** models are available in gas and electric models, have digital control and the following capacities: 4, 6, 10, 16 trays 600x400.

All electric ovens are available, depending on the equipment, in the **ZERO**, **ONE** or **PLUS** versions; this allows you to choose either one of the simpler versions or the very best of UNOX practicality and innovation.

Gas ovens are available in the **PLUS** version only.

The **ZERO** versions are only available for the electric models 5/7/10 GN 1/1.

 We recommend you thoroughly read this manual for all instructions on how to maintain the aesthetic and functional qualities of your purchased product intact.

Explanation of pictograms

The installation and user instructions are valid for all models unless otherwise specified by the following pictograms:



Danger! Situation presenting immediate danger, or a hazardous situation which could cause injury or death.



Danger: fire hazard!



Danger: electric shock!



Read the instruction manual



Danger: risk of burns



Tips and useful information



Earthing symbol




Equipotential symbol



Consult other chapter

Safety regulations for installation

- Read this guide carefully before installing or maintaining the appliance, and conserve this guide with care for any future consultation of users.
- All installation, assembly and non-routine maintenance operation must be performed exclusively by qualified technicians that are authorized by UNOX, in compliance with the regulations in force in the user country, with respect to the regulations on systems and work safety.
- Disconnect the oven from its electrical and gas supplies before installation or maintenance (only for gas ovens).
- Check that systems are compliant to the installation country standards and to the specifications indicated on the appliance rating plate before installing the appliance.
- Interventions, tampering or modifications not expressly approved that do not comply with the instructions in this manual could cause damage, injury or death.
- Furthermore, interventions, tampering or modifications not expressly authorised that do not comply with the indications in this manual shall invalidate the guarantee.
- Installation or maintenance that fails to respect the indications in this manual may cause damage, injury or fatal accidents.
- Persons not involved with appliance installation may not pass through or occupy the work area during appliance assembly.
- If the equipment is installed on mobile bases or stacked in columns, be sure to use only UNOX components and respect the instructions on their packaging.
- Given their potential danger, the packaging materials must be kept out of reach of children and animals, and correctly disposed of in compliance with local regulations.
- The ratings plate provides essential technical information that is of utmost importance for any appliance maintenance or repairs. Do not remove, damage or modify the plate.
- Failure to follow these instructions can cause damage and injury or death, voids the warranty and exempts UNOX from any liability.
- The parts protected by the manufacturer or his agent shall not be adjusted by the installer.
- The appliance can be used by children of 8 years and over and by people with reduced physical, sensory or mental capabilities or people lacking the experience or knowledge needed, provided they are supervised or have received instructions on how to use the appliance safely and that they understand the inherent dangers. Children must not play with the appliance. User cleaning and maintenance must not be carried out by unsupervised children.
- When cleaning any component or accessory NEVER use water jets.
- The new hose-sets supplied with the appliance are to be used for the connection to the water supply network. Old hose-sets should not be reused.
- For proper electrical connections, the appliance must:
 - Be wired into an equipotential system in accordance with current regulations. This connection must be performed between different appliances with the terminal marked with the equipotential symbol . The cable must have a maximum cross-section of 10 mm² (pursuant to standard CEI EN 60335-2-36) and be yellow-green.

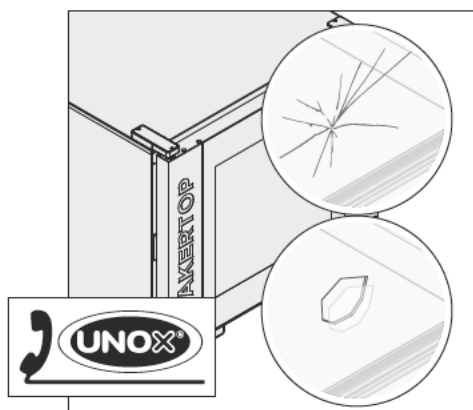
- Be connected to the mains earth  (green-yellow wire).
- Be connected to a thermal differential switch in compliance with the regulations in force (0.03A, type A).
- Be connected to a main circuit-breaker that enables complete disconnection in category III over-voltage conditions.

Only for gas ovens

- Appliances must be installed in areas:
 - that comply to the safety requirements called for by the standards in force;
 - that have adequate ventilation. Make sure that air is continually refreshed from the outside to ensure correct combustion and to avoid the formation of volatile substances hazardous to health and risk of suffocation!
- Make sure:
 - that installation is performed by respecting the safety regulations of the country of use and of the gas company;
 - that the ventilation inlets and the appliance exhausts are not obstructed (e.g. objects and walls);
 - that the type of gas available corresponds to the type indicated on the rating label;
 - that the gas pipe diameters meet the required measurements;
 - that components - not supplied by UNOX - used for installation comply with the regulations in force of the country of use;
 - that the connection pipe pressure equals that of the gas supply inlet;
 - that maximum gas piping inlet pressure is 55 mbar; pressures may not exceed this threshold.
- After connection to the gas supply, check for gas leaks of the components by preferably using non-corrosive foams. Never use flames!
- Upon commissioning a qualified technician authorised by UNOX must analyse the burner exhaust gases (CO and CO₂) and record the registered values on the appliance.

RISK OR ELECTRICAL SHOCK

- Do not open the compartments marked with these symbols: opening is reserved to qualified personnel authorised by UNOX. Failure to observe this regulation invalidates the guarantee and may cause damage or (fatal) injuries.



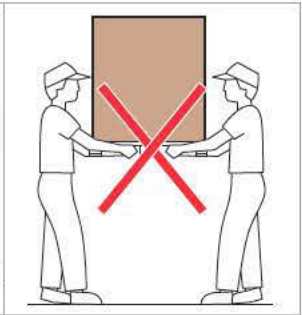
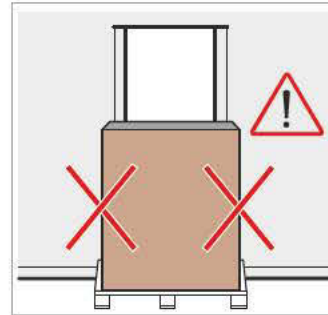
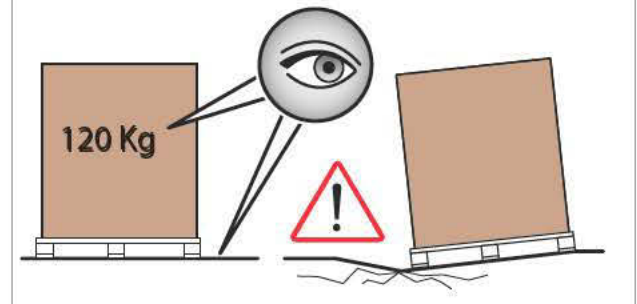
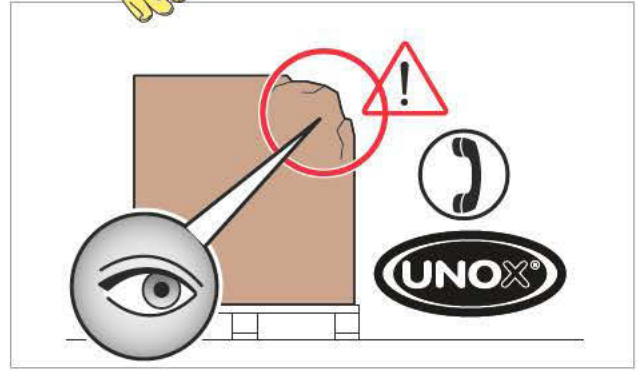
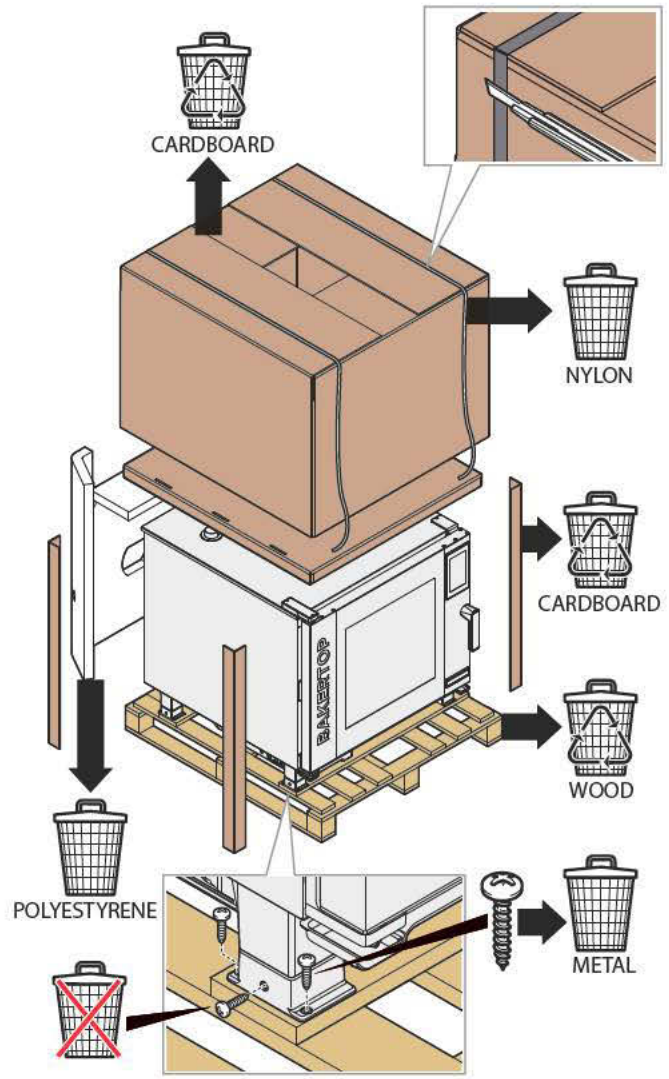
If the appliance glass is chipped or damaged, it must be replaced immediately by contacting an authorised support service centre. **Do not use the oven. Risk of exploding glass.**

1 UNPACKING THE EQUIPMENT

Check the package for any visible damage. If damage is found, immediately contact UNOX and DO NOT install the appliance.

Before transporting the appliance to its installation point, make sure that:
 - it easily passes through doorways;
 - the floor supports its weight.
 Transport must be exclusively performed by mechanical means (i.e. transpallet forklift).

Given their potential danger, the packaging materials must be kept out of reach of children and animals, and correctly disposed of in compliance with local regulations.



NON-STOP Efforts

UNOX has followed the **NON-STOP Efforts** philosophy for years to increase the environmental compatibility of its products to reduce energy consumption and waste. UNOX wishes to protect the environment and invites the consumer to dispose of waste in recycling bins.

2

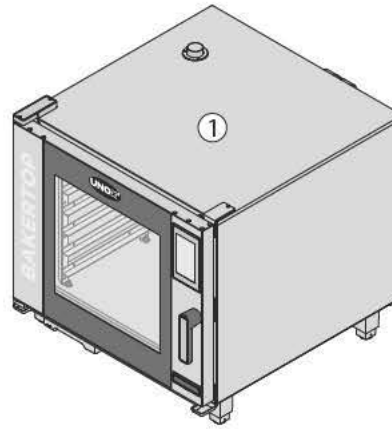
CHECKING PACKAGE CONTENTS

Before installing the appliance, check that the following packaged components are present and free of damage.

⚠ Contact UNOX if a component is missing or damaged.

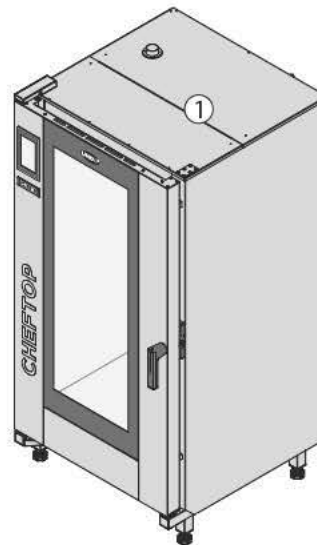
Counter top ovens

- ① oven designed for:
 - electrical connections (power supply cable fitted, plug to be fitted by the installer);
 - plumbing (water supply tube, mechanical filter, 3/4 connection with non-return valve already assembled);
- ② technical documents (installation and use booklet, "Technical data" sheet);
- ③ 4 plastic supports;
- ④ "Starter Kit" bag (8 self-tapping screws, 1 connection spanner, 1 falling liquids adhesive label).



Free standing ovens with/without trolley

- ① oven designed for:
 - electrical connections (power supply cable and plug not fitted);
 - plumbing (water supply tube, mechanical filter, 3/4 connection with non-return valve already assembled);
- ② technical documents (use and installation manual, "Technical specifications" sheet);;
- ③ 2 plastic supports;
- ④ 1 "Starter Kit" bag (8 self-tapping screws, 1 attachment spanner, 1 falling liquids adhesive label);
- ⑤ trolley (only for models with trolley).



Different auxiliary instruments are available as professional completion of the **ChefTop™ - BakerTop™** **MIND.Maps** ranges: contact UNOX for additional information.

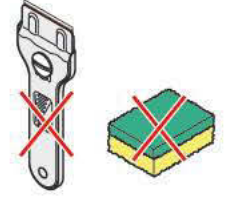
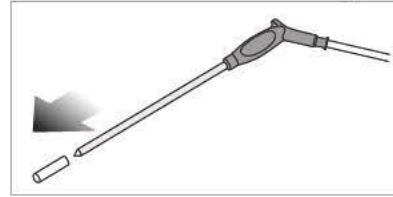
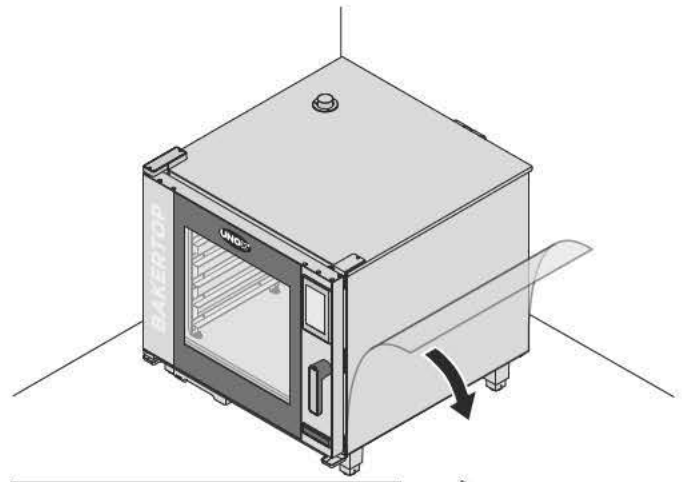
3

GETTING STARTED

Removing the protective film and silicone cap from the core probe

Slowly remove the protective films from the appliance: clean any glue residue with appropriate solvents without using tools, abrasive detergents or acids that could ruin the surfaces.

! The removed film, given its potential danger, must be kept out of reach of children and animals; and correctly disposed of in compliance with local regulations.



4

POSITIONING

Characteristics of the installation area

Install the appliance in areas:

- dedicated and conforming to the cooking of industrial foods;
- having adequate air ventilation;
- that comply with the laws in your country;
- protected against the weather;
- with temperatures between +5° to +35°C maximum;
- having a maximum humidity of 70%.

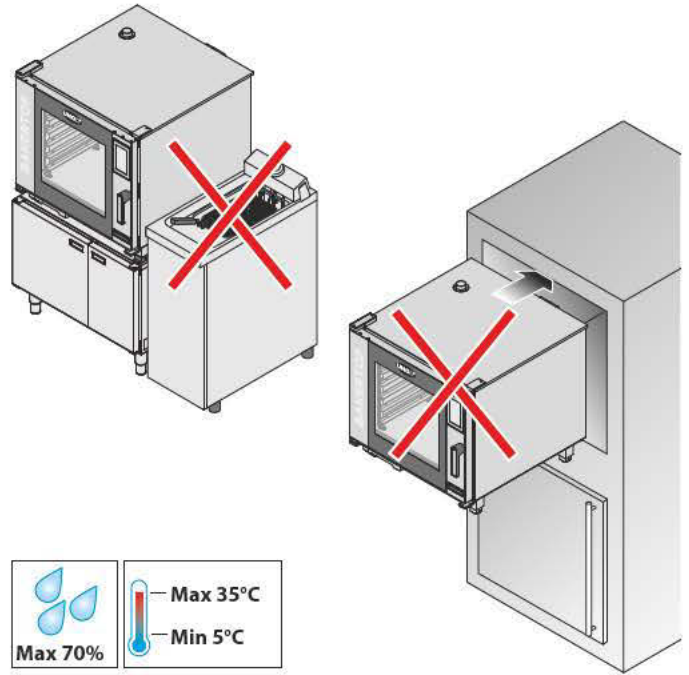
The law requires gas appliances to be installed in areas:

- with surface area and ventilation suitable for gas combustion;
- with outdoor evacuation of exhaust gas.

For additional information consult chapter "Exhaust (only for electrical ovens)" on page 35.

Do not install the appliance near other appliances that reach high temperatures in order to avoid damaging electrical parts.

The appliance cannot be installed into a recess. Make sure that the floor supports the weight of the appliance at full capacity (see the table below).






For additional technical information on the appliance, consult the "technical specifications" sheet attached to the appliance.

		Oven model			Installation	Size				Max. load [kg]
						Width [mm]	Depth [mm]	Height [mm]	Net weight [kg]	
ELECTRIC	ChefTop™ MIND. Maps COMPACT	XECC-0523-E1xM	ONE	GN 2/3	CounterTop	535	672	649	56	17
		XECC-0513-EPxM	PLUS	GN 1/3	CounterTop	535	872	649	68	25
		XECC-0523-EPxM	PLUS	GN 2/3	CounterTop	535	672	649	58	17
		XECC-1013-EPxM	PLUS	GN 1/3	CounterTop	535	872	984	90	45
	CHEFTOP MIND. Maps™	XEVC-0311-E1xM	ONE	GN 1/1	CounterTop	750	783	538	54	15
		XEVC-0511-E1xM	ONE	GN 1/1	Countertop	750	783	675	66	25
		XEVC-0511-E1xM-LP	ONE	GN 1/1	Countertop	750	783	675	66	25
		XEVC-0711-E1xM	ONE	GN 1/1	Countertop	750	783	843	82	35
		XEVC-1011-E1xM	ONE	GN 1/1	Countertop	750	783	1010	92	45
		XEVC-0311-EPxM	PLUS	GN 1/1	CounterTop	750	783	538	56	15
		XEVC-0511-EPxM	PLUS	GN 1/1	Countertop	750	783	675	70	25
		XEVC-0711-EPxM	PLUS	GN 1/1	Countertop	750	783	843	86	35
		XEVC-1011-EPxM	PLUS	GN 1/1	Countertop	750	783	1010	98	45
		XEVC-0621-EPxM	PLUS	GN 2/1	CounterTop	860	1145	842	120	60
		XEVC-1021-EPxM	PLUS	GN 2/1	Countertop	860	1145	1162	180	90
		XEVC-0511-EZxM	ZERO	GN 1/1	Countertop	750	783	675	64	25
		XEVC-0511-EZxM-LP	ZERO	GN 1/1	Countertop	750	783	675	64	25
		XEVC-0711-EZxM	ZERO	GN 1/1	Countertop	750	783	843	80	35
		XEVC-1011-EZxM	ZERO	GN 1/1	Countertop	750	783	1010	90	45
		GAS	CHEFTOP MIND. Maps™	XEVL-2011-E1xS	ONE	GN 1/1	Floor	892	1018	1875
XEVL-2011-YPxS	PLUS			GN 1/1	Floor	892	1018	1875	292	90
XEVL-2011-DPxS	PLUS			GN 1/1	Floor	892	1018	1875	339	90
XEVL-2021-YPxS	PLUS			GN 2/1	Floor	892	1257	1875	339	180
XEVL-2021-DPxS	PLUS			GN 2/1	Floor	892	1257	1875	339	180
XEVC-0511-GPxM	PLUS			GN 1/1	CounterTop	750	783	675	83	25
XEVC-0711-GPxM	PLUS			GN 1/1	CounterTop	750	783	843	104	35
XEVC-1011-GPxM	PLUS			GN 1/1	CounterTop	750	783	1010	117	45

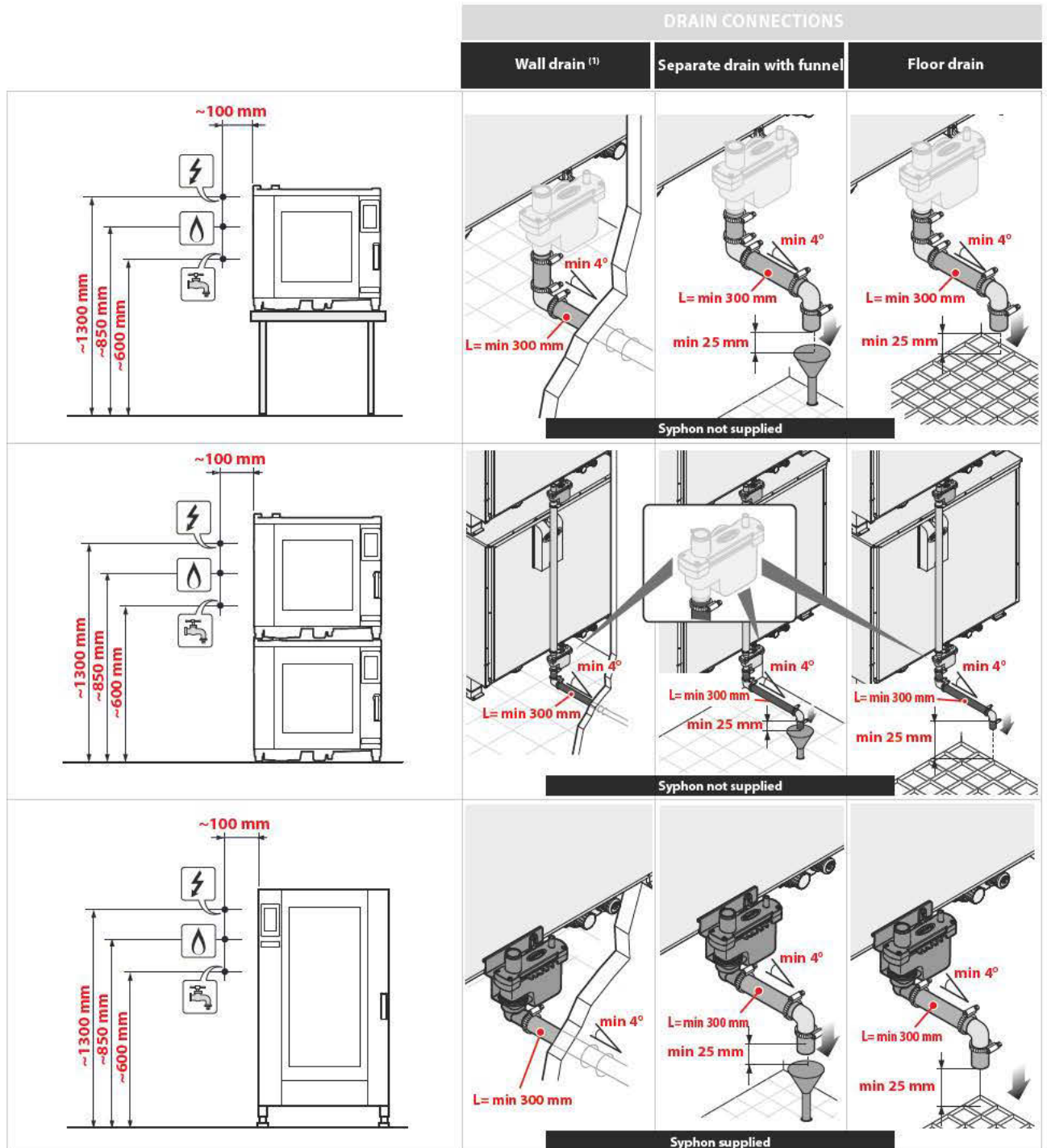
		Oven model			Installation	Size				Max. load [kg]
						Width [mm]	Depth [mm]	Height [mm]	Net weight [kg]	
ELECTRIC	BAKERTOP MIND. Maps™	XEBC-04EU-E1xM	ONE	600x400	CounterTop	860	967	675	90	20
		XEBC-06EU-E1xM	ONE	600x400	CounterTop	860	967	843	103	30
		XEBC-10EU-E1xM	ONE	600x400	CounterTop	860	967	1163	136	50
		XEBC-04EU-EPxM	PLUS	600x400	CounterTop	860	967	675	95	20
		XEBC-06EU-EPxM	PLUS	600x400	CounterTop	860	967	843	112	30
		XEBC-10EU-EPxM	PLUS	600x400	CounterTop	860	967	1163	148	50
		XEBL-16EU-E1xS	ONE	600x400	Floor	892	1018	1875	292	85
		XEBL-16EU-YPxS	PLUS	600x400	Floor	892	1018	1875	292	85
		XEBL-16EU-DPxS	PLUS	600x400	Floor	892	1018	1875	292	85
GAS	BAKERTOP MIND. Maps™	XEBC-06EU-GPxM	PLUS	600x400	CounterTop	860	967	843	126	30
		XEBC-10EU-GPxM	PLUS	600x400	CounterTop	860	967	1163	148	50
		XEBL-16EU-GPxS	PLUS	600x400	Floor	892	1018	1875	309	85

The installation areas must be equipped with electrical, plumbing and gas utilities (only for gas ovens) that comply with the regulations of the country of use.

The figure gives indicative connection measurements:

-  electrical connection
-  plumbing connection
-  gas connection (where applicable)

 If cooking large amounts of greasy foods, follow the precautions indicated in section “**Drainage specifications**” on page 31.

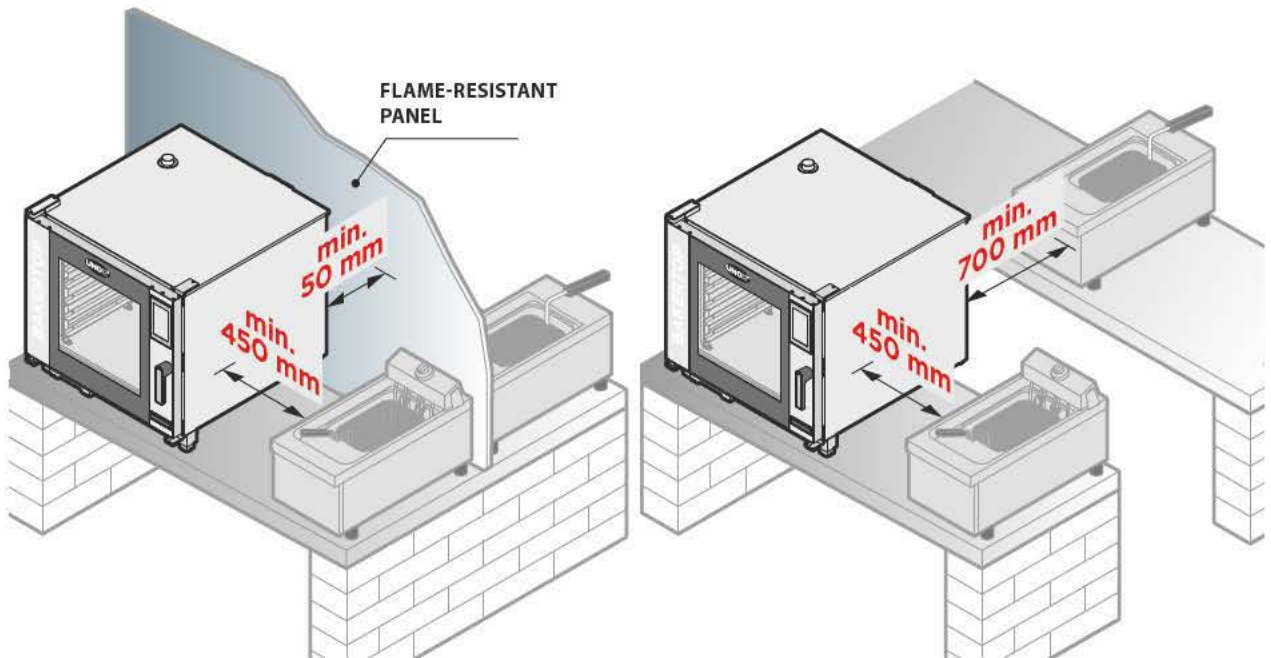
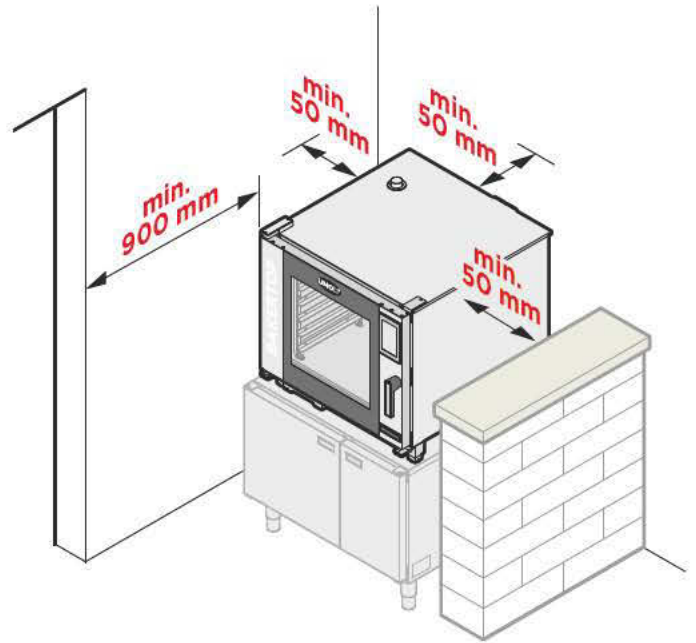


(1): The wall-mounted exhaust output must have an air gap of at least 25 mm.

Appliance distances

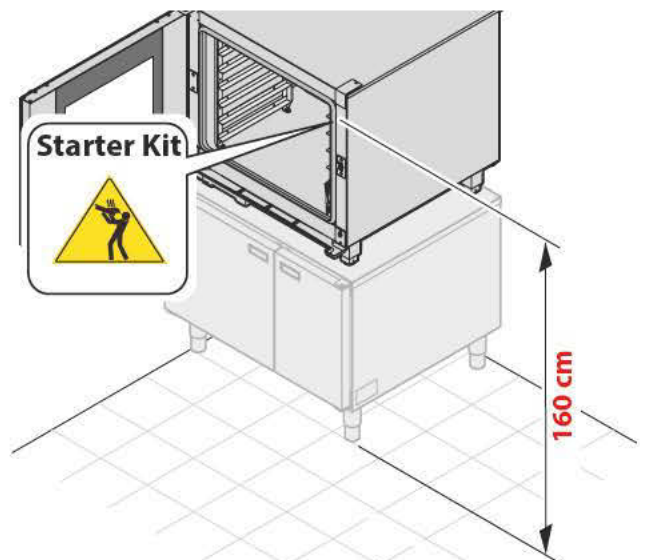
Position the appliance respecting the indicated distances in the diagram and so that the back of the oven is easily accessible for appliance connections and maintenance.

⚠ Do not install the appliance near flammable or heat sensitive materials, walls or furniture. Otherwise, protect them with appropriate non-flammable materials in compliance with fire prevention regulations - see diagram below.



⚠ For safety reasons, the last tray should NEVER be placed at a height greater than 160 cm.

If necessary to do so, it is mandatory to post the sticker contained in the "Starter Kit" at the height shown in the figure.



5 POSITIONING - COUNTERTOP OVENS

The counter top ovens can be positioned:

- on wheels (with the UNOX wheel kit);
- on the floor (with the UNOX feet kit);
- on own or UNOX substructures;
- stacked on other UNOX appliances (**MAXI. Link**).

FLOOR OR MOBILE-BASE POSITIONING

The floor beneath the appliances must:

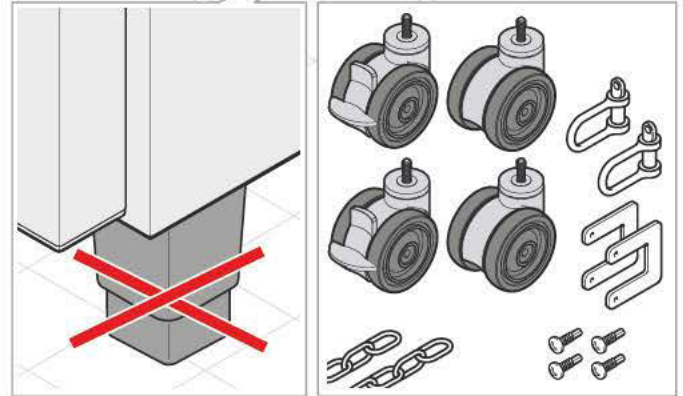
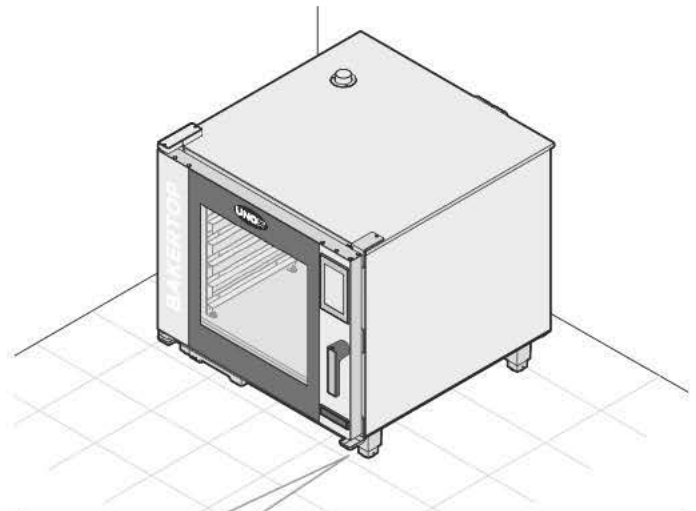
- be flame and heat resistant;
- be perfectly level;
- have a flat and even surface;
- are able to support the appliance weight at full load without undergoing deformation or structural failure.

Positioning: free-standing

- DO NOT position the appliances directly on the floor but remove the plastic feet from the appliance and assemble the UNOX H.150-mm steel feet support feet kit. Contact UNOX for detailed information on assembling the support feet Kit read the instructions on the kit packaging.

Positioning: mobile bases

- ! Move the appliance using only the UNOX wheel kit and by following the instructions contained on the kit packaging.



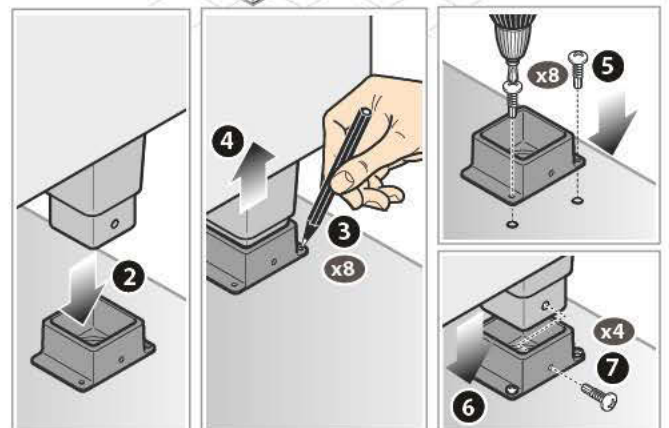
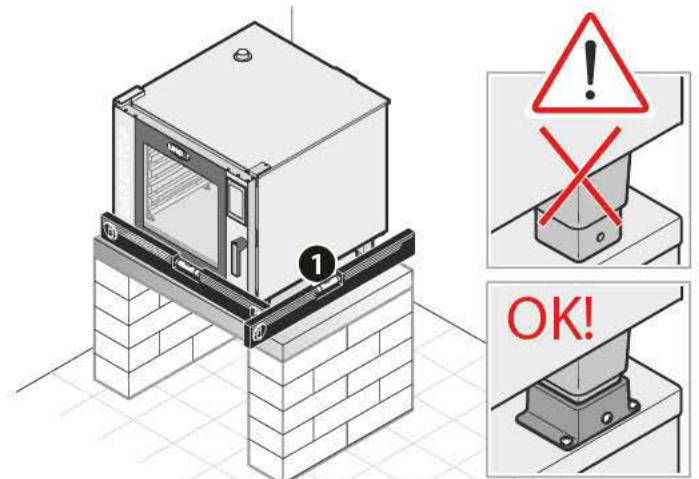
POSITIONING: SUBSTRUCTURES

- ! Before securing on an UNOX substructure or on one of your own, always check that the substructure is perfectly level using a spirit or digital level. If not, the UNOX substructure can be levelled by adjusting the feet. Beware - do not completely unscrew the feet.

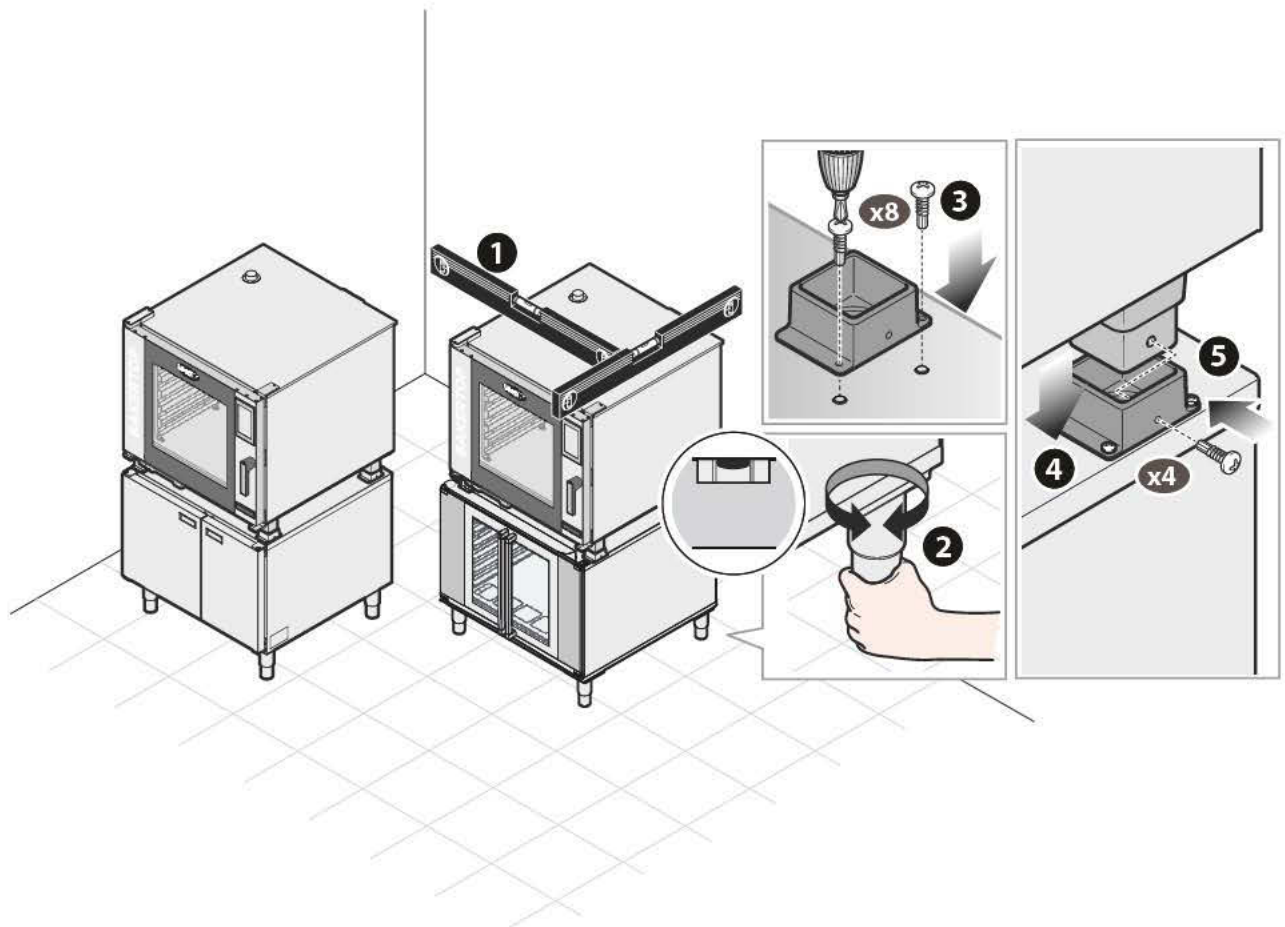
Anchoring on user's substructure (i.e. steel tables, etc...)

The substructures must be:

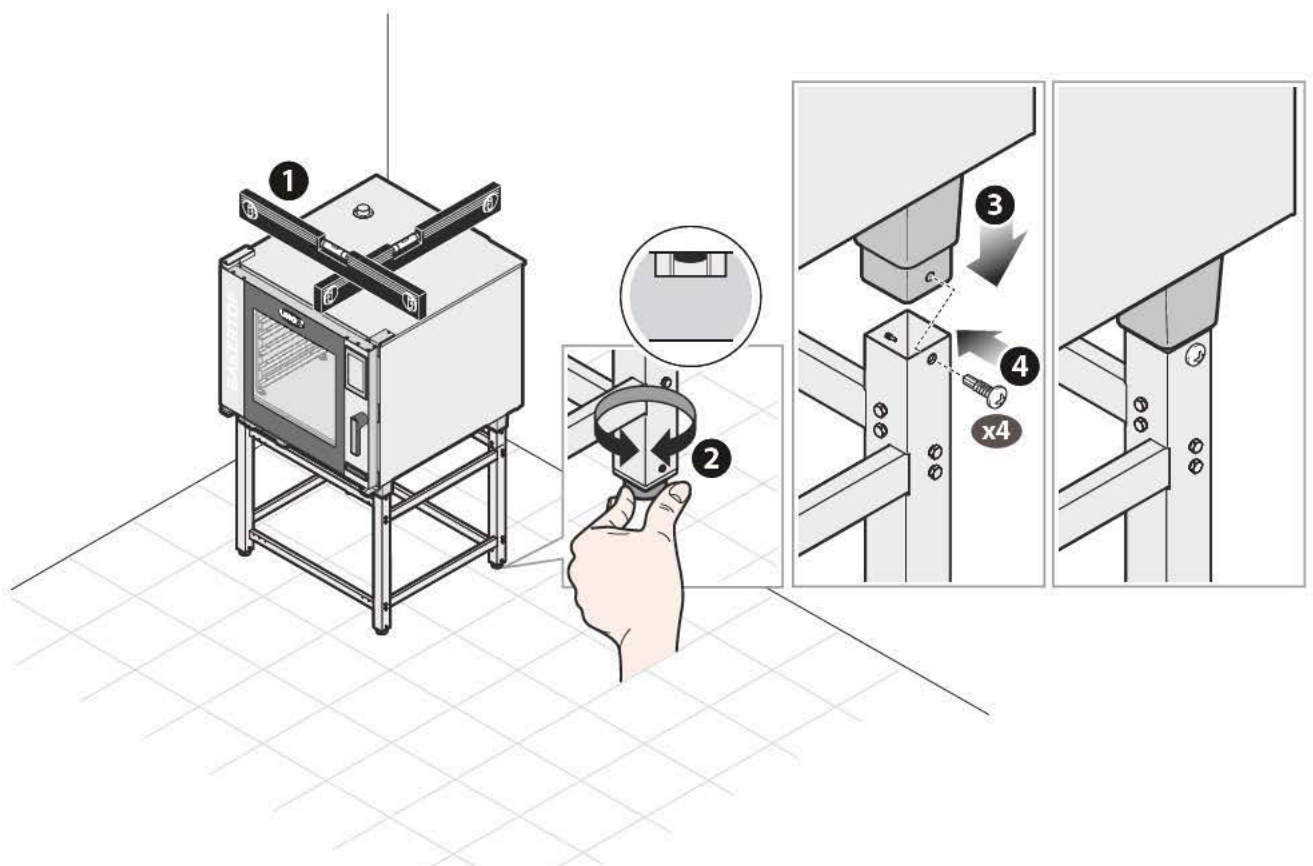
- stable and perfectly level;
- unmoveable;
- flame and heat resistant;
- are able to support the appliance weight at full load without undergoing deformation or structural failure.



Anchoring on UNOX substructures
(provers and cabinets)



Anchoring on UNOX substructures
(high open stand)



POSITIONING: APPLIANCE STACKING (MAXI.LINK)

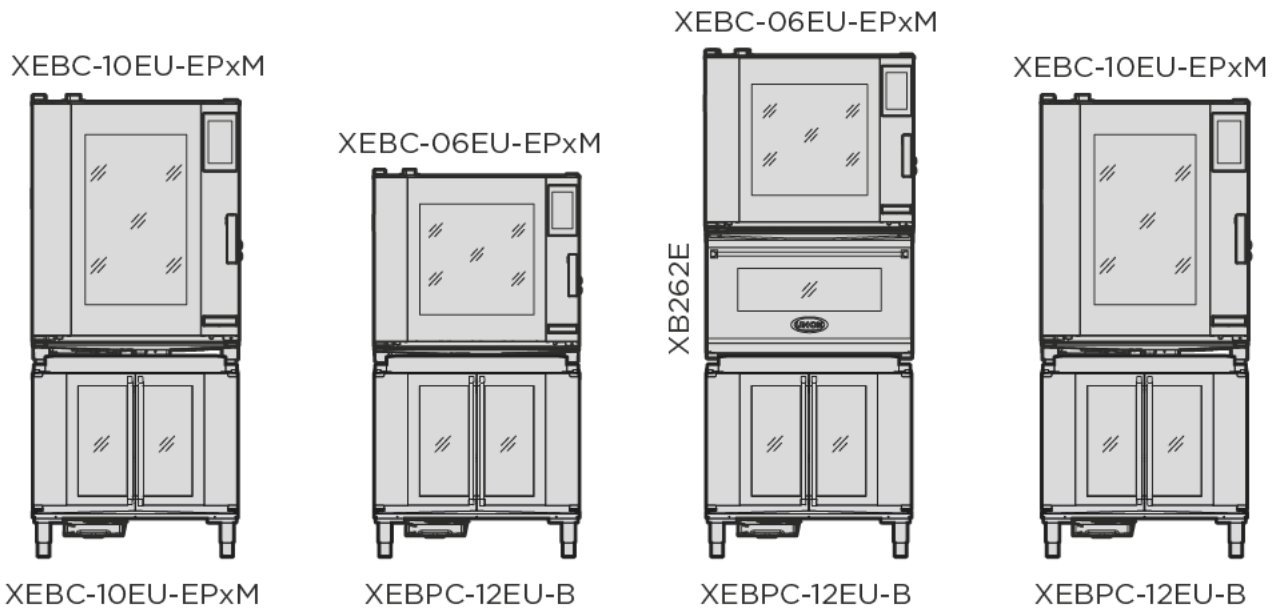
Use UNOX's oven stacking kit when stacking multiple units.

It maintains the proper distance between appliances and simplifies electrical, plumbing and exhaust connections.

Follow the instructions on the packaging for stacking kit assembly.

- ⚠ The oven should never be placed immediately above other ovens or other sources of heat.
- ⚠ The tanks of detergent (where applicable) must always be installed under the prover or oven in the lowest position possible.
- ⊕ The oven stacking kit also contains a siphon and a Tee fitting for plumbing several appliances with a single water outlet.

Examples of possible compositions:



6 POSITIONING FREE-STANDING "BIG" OVENS WITHOUT TROLLEY

Ovens of this type must be set on floors that meet the following requirements:

- be flame and heat resistant;
- be perfectly level;
- have a flat and even surface;
- are able to support the appliance weight at full load without undergoing deformation or structural failure.

Levelling the appliance

1 Make sure that the length of the oven cavity diagonals are the same, if this is not the case, it implies that the appliance is not flush -> 2 level it by adjusting the height of the 4 feet as follows:

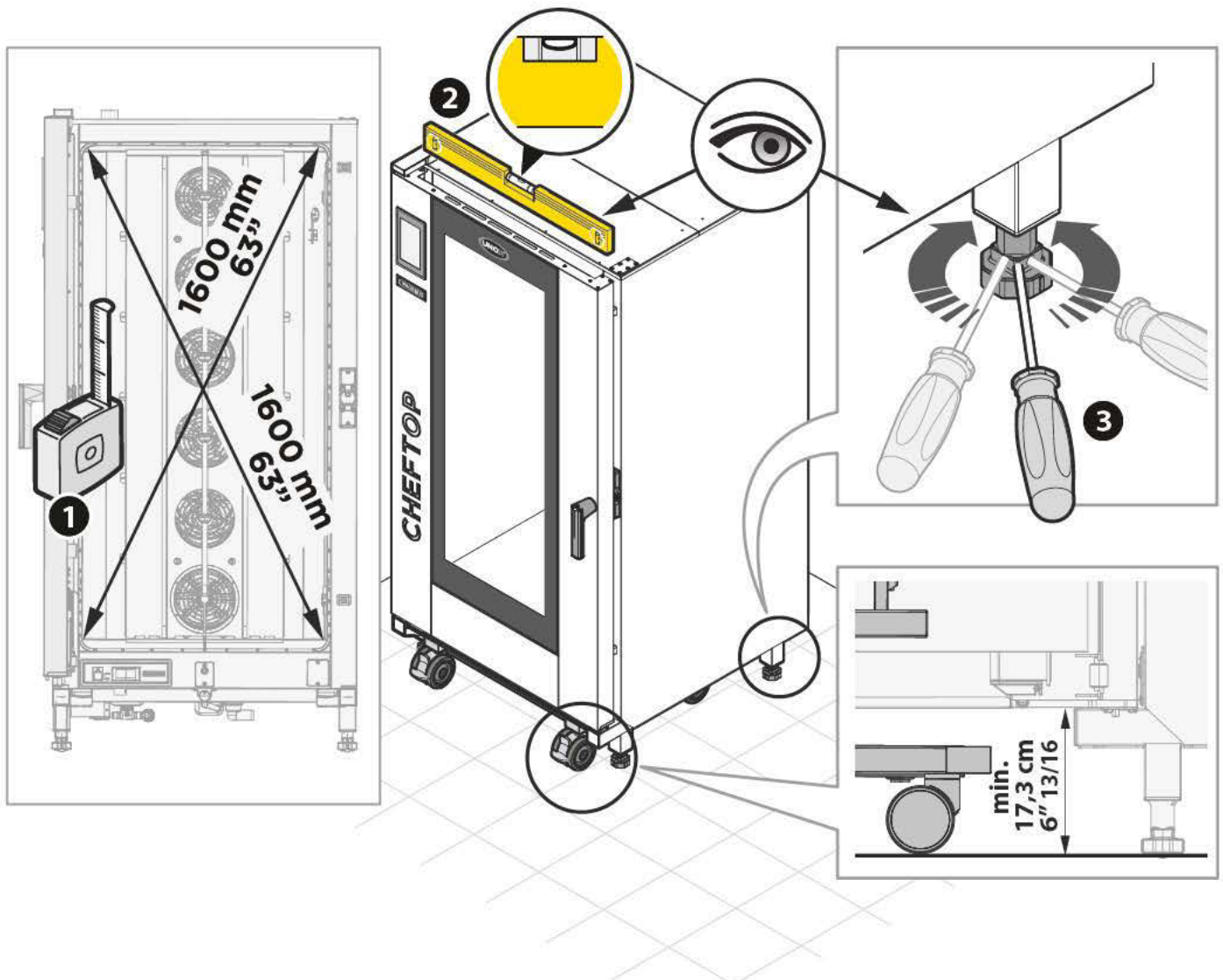
- the front feet must be adjusted to align frontally between right and left
- the rear feet must be adjusted to reduce excessive inclinations of the oven

Minimum height from the ground must be 17.3 cm to give the trolley easy access.

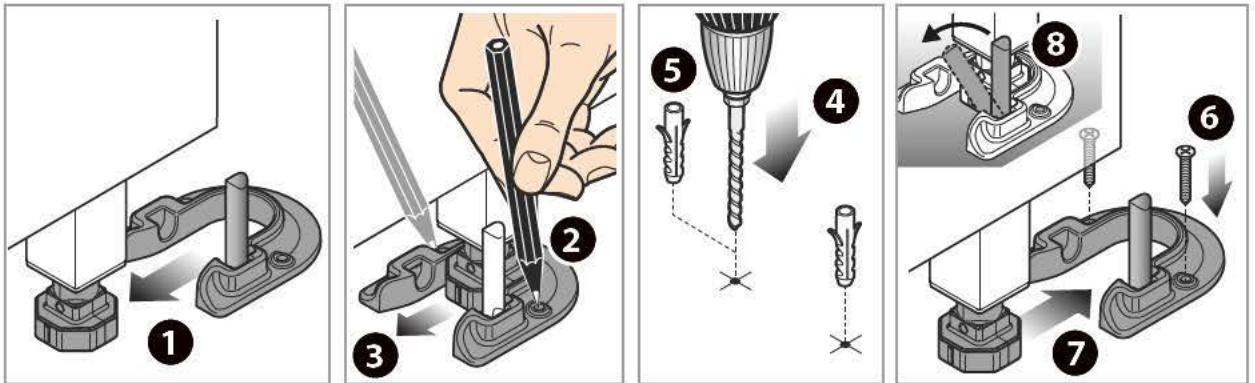
Once level, check to see that the trolley easily enters into the oven cavity without encountering obstacles (e.g. floor irregularity) and without brushing against the bottom surface of the oven cavity.

Further adjust the feet if necessary.

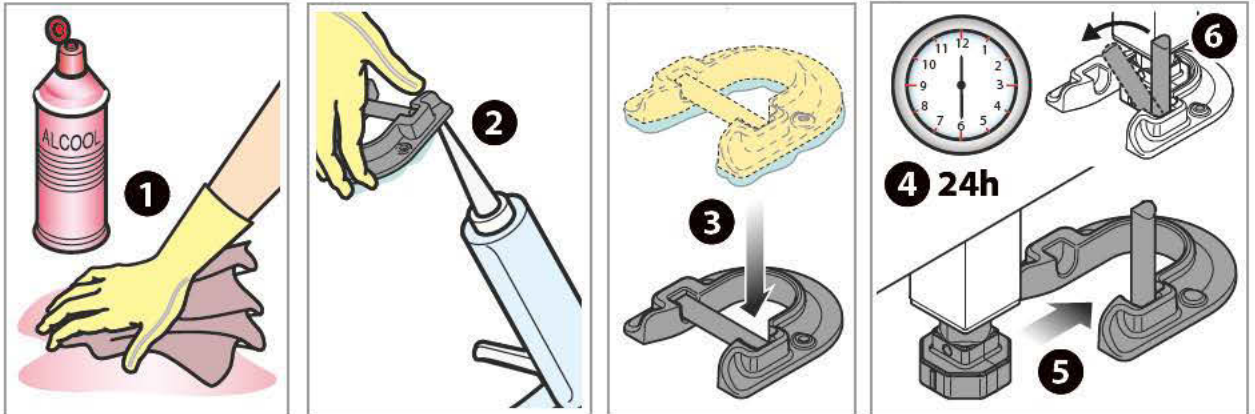
! It is compulsory to anchor the 2 rear supports to the floor to avoid the oven falling over (see diagram on the following page).



SOLUTION - A



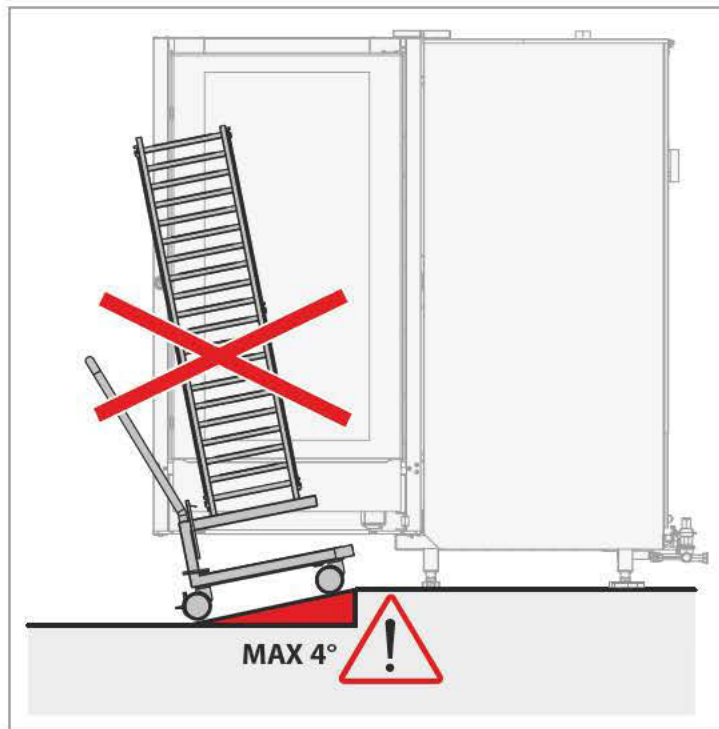
SOLUTION - B



ONLY FOR FREE-STANDING TROLLEY OVENS

If the floor is not perfectly level, a loading ramp with a maximum incline of 4° may be used to simplify the loading of the trolley. The maximum floor incline allowed is 2°.

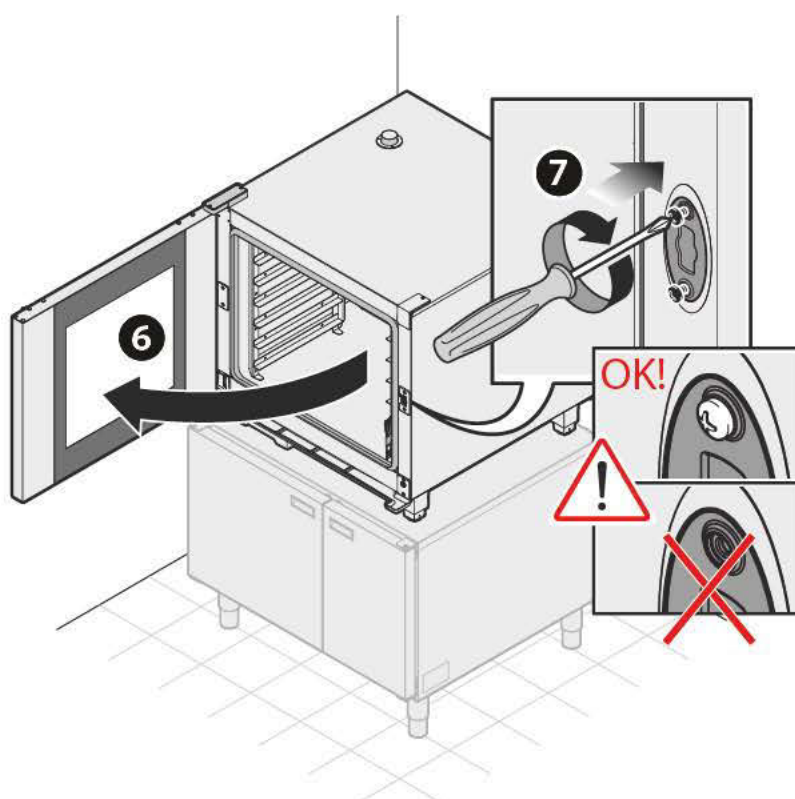
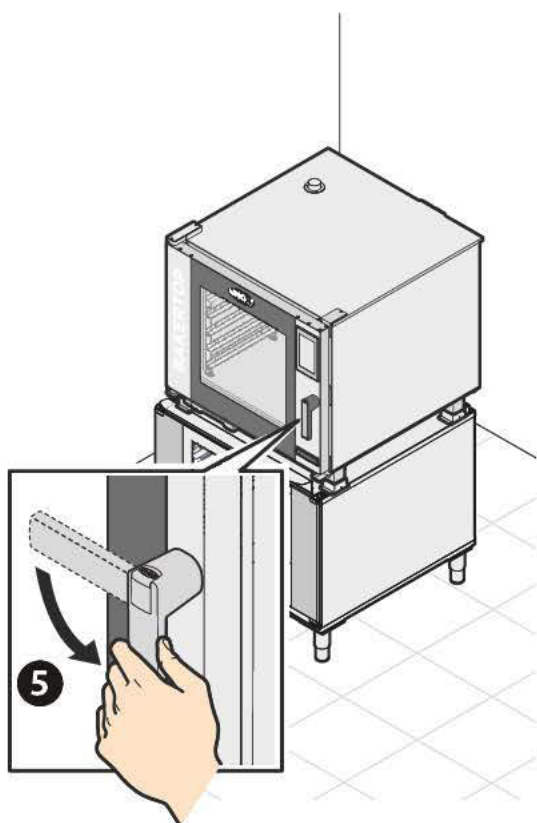
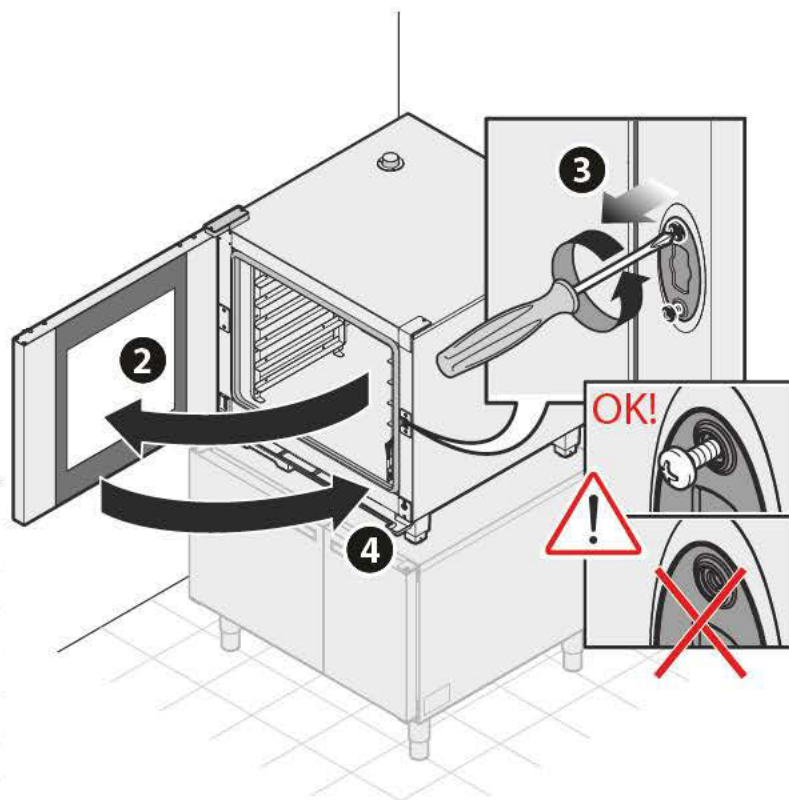
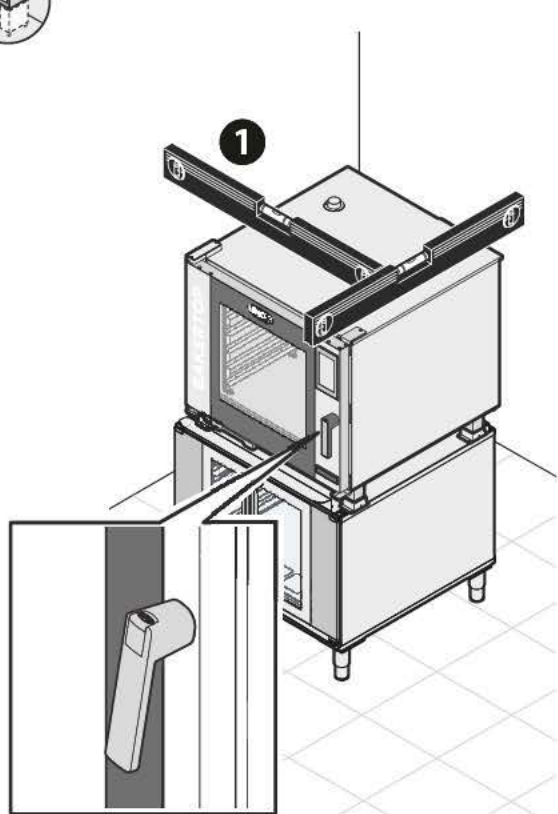
⚠ If floor incline exceeds this value, hot liquids may spill from the trays during loading/extraction and cause burns.




DOOR CLOSURE ADJUSTMENT


After positioning the oven, proceed as follows if the door handle fails to close in the correct upright position:


- ① check that the appliance is level by using a spirit or digital level;
- ② - ⑦ if the appliance is level, adjust the closure latch as shown in the following diagrams. If the problem persists, repeat this procedure, loosening the latch fixing screws further.




7 ELECTRICAL CONNECTION

 Before installing the appliance carefully read chapter “Safety regulations for installation” on page 5.

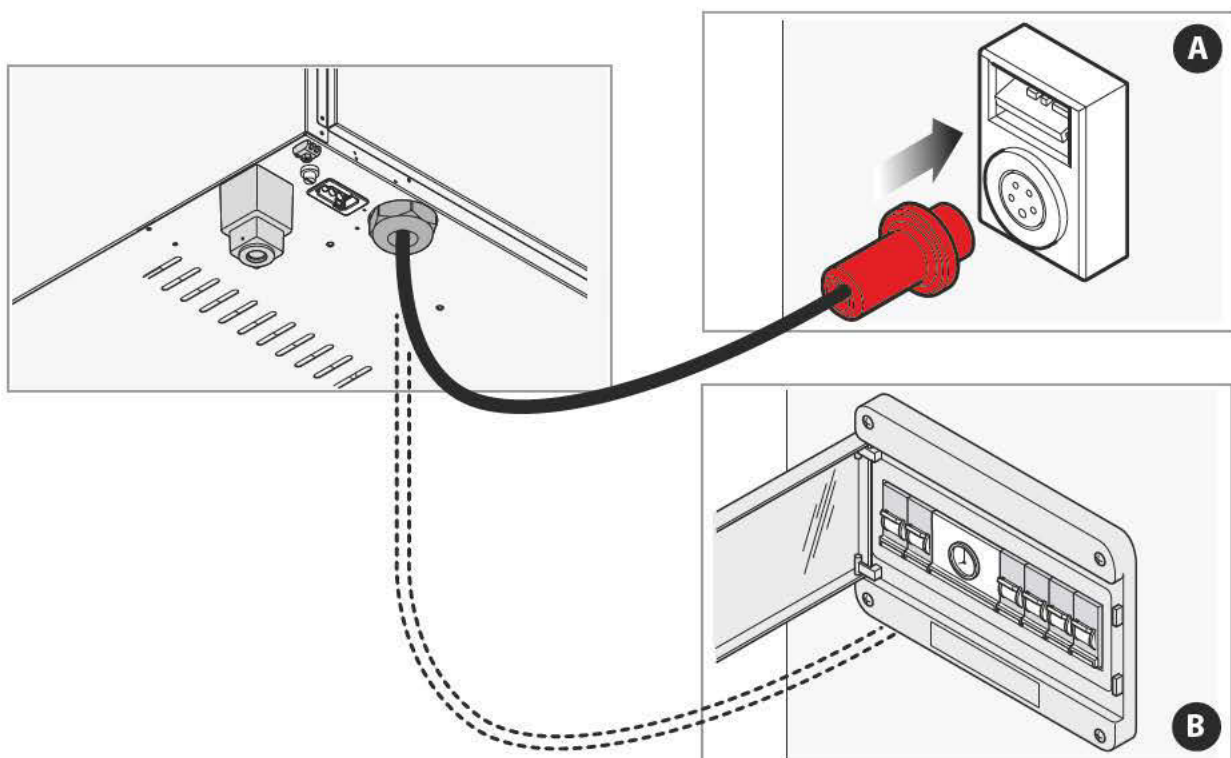
 Connections to the mains power and the electrical system must comply with the regulations in force in the country of installation of the appliance. All connections must be made by qualified personnel authorised by UNOX. Failure to comply with these regulations may cause damage and injuries, invalidates the guarantee and relieves UNOX of all liability.

 Before connecting the appliance to the mains electricity, always compare the power supply data with that of the appliance as specified on the rating plate.

 In order to avoid hazards due to the accidental resetting of the thermal cut-out, this appliance must not be powered with an external switching device, such as a timer, or be connected to a circuit that is regularly switched on and off by the utility.

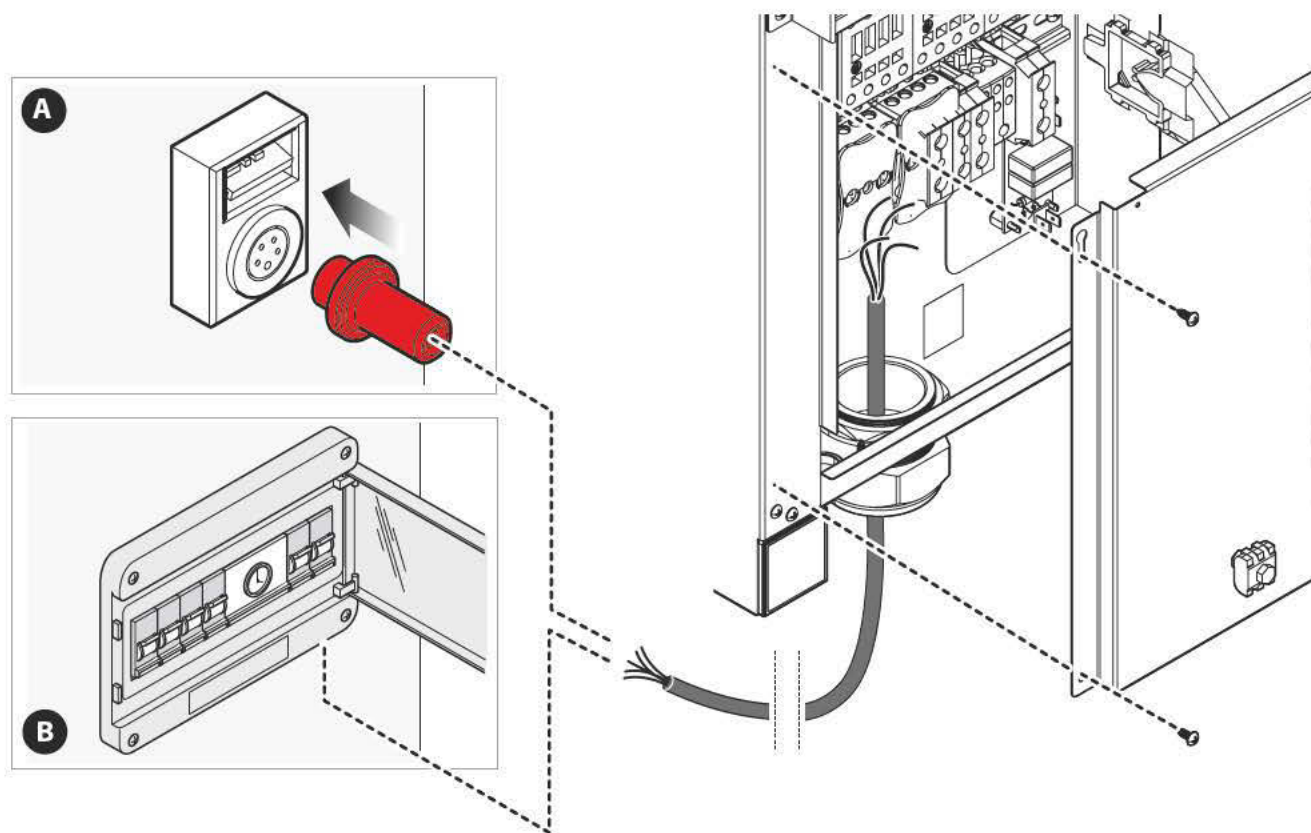
Countertop ovens leave the factory with the power cable already installed on the terminal. Do not make any other type of electrical connection or any changes to the size of the cable, other than extending it or replacing it with a cable with the same specifications as the original (e.g. type of rubber and cross-section). All specifications are listed on the “Technical Specifications” sheet supplied with the appliance.

To connect the electrics, fit a power plug (not supplied) of a suitable type and load for the maximum power absorbed by the oven’s phases **A** (data available on the attached “Technical specifications” sheet). If this is not possible, the wiring supplied by UNOX is sufficient for connecting the appliance directly to the electrical board **B**.



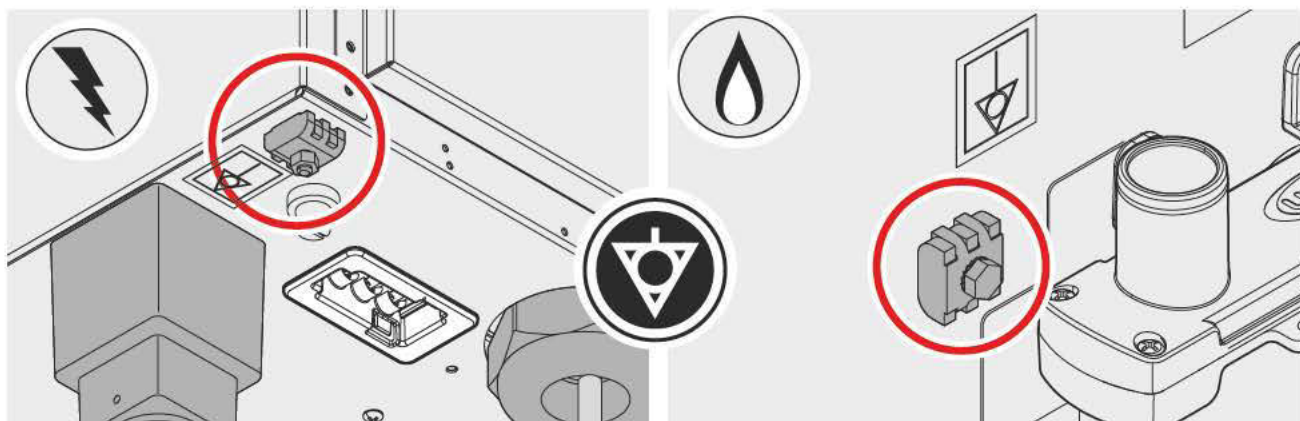
Free-standing “Big” ovens do not have a power supply cable when they leave the factory. Remove the back panel on the appliance and connect a cable to the terminal board. The cable must have the characteristics specified in the “Technical specifications” sheet supplied with the appliance.

Then fit a power plug (not supplied) of a suitable type and load for the maximum power absorbed by the oven’s phases **A** (data available on the attached “Technical specifications” sheet). If this is not possible, connect it to the electrical board **B**.



For countertop or free-standing ovens to be connected up correctly, they must:

- be wired into an **equipotential system** in accordance with current regulations. This connection must be made between different appliances with the terminal marked with the equipotential symbol (⚡). The cable must have a maximum cross-section of 10 mm² (as per CEI EN 60335-2-42:2003-09) and must be yellow/green.
- be connected to the mains **earth** (⊕) (yellow/green wire).
- be connected to a **thermal differential switch** in compliance with the regulations in force (0.03A, type A).
- be connected to an **all-pole circuit-breaker** that enables complete disconnection in category III over-voltage conditions.



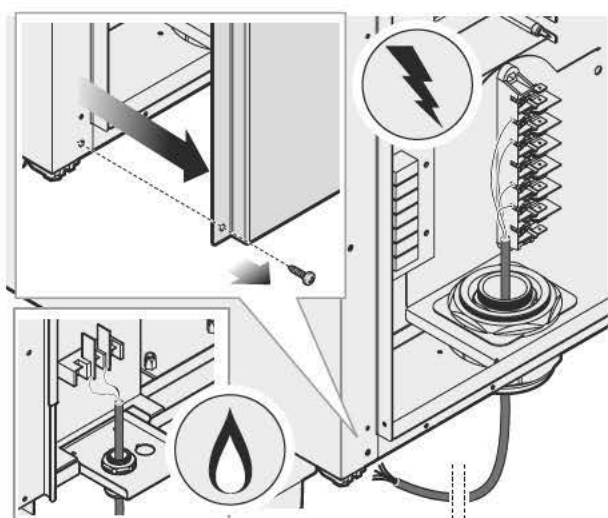
Checks

- The copper jumper on the terminal board and the electrical cable must be secured together under the screw in its tightening direction, and the electrical connections must be securely tightened before connecting the appliance to the electricity mains.
- Check for any electrical dispersion between the phases and the earth, and for electrical continuity between the external casing and the mains earth.
- Check that the power supply voltage does not deviate from the nominal voltage value specified on the appliance rating plate when the appliance is operating. If it does, wire the phases as specified on the "Technical specifications" sheet supplied.

Adapting to different voltages

For electrical and voltage requirements that differ from standard values, replace the power supply cable and connect the new cable to the terminal board, following the diagrams on the "Technical specifications" sheet (Power supply - Connection Diagram) supplied with the appliance.

Replacing the power supply cable

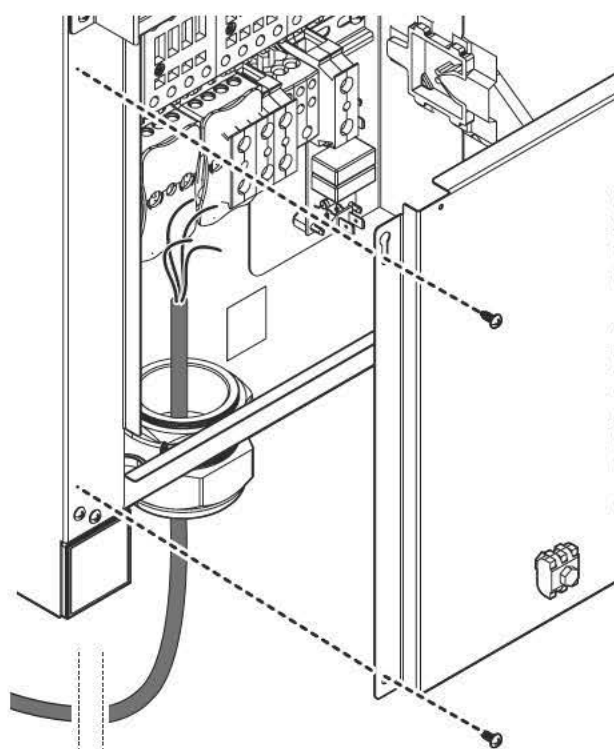


Countertop ovens

! The cable must be replaced by UNOX, the UNOX technical assistance service or, in any case, by a person with a similar role in order to prevent any risks.


Follow the procedures below to replace the power supply cable:

- remove the rear oven panel and remove the cable by detaching it from the terminal block;
- see the "Technical specifications" sheet (Power supply - Connection Diagram) which shows all of the possible wiring diagrams and the new cable spec according to the chosen connection (Cable Type);
- secure the new cable using the cable clamp;
- close the rear panel of the oven.




Free-standing "BIG" ovens

8 GAS CONNECTIONS (ONLY FOR GAS OVENS)

 Before installing the appliance carefully read section “Safety regulations for installation” on page 5.

Only for Australia: This unit must be installed by a licensed person to AS/NZS5601 and local Regulations. Only authorized persons may install.

 Connections to the gas supply must comply with the regulations in force in the country of installation of the appliance; and all connections must be performed by qualified personnel authorised by UNOX. Failure to comply with these regulations may cause damage and injuries, invalidates the guarantee and relieves UNOX of all liabilities.


Connecting to the gas utility system


The appliance is factory set, configured and tested to operate using:


- natural gas (G20)
- nominal pressure of the mains supply (entering the gas valve) of 5-35mbar (5kPa-35kPa)
- maximum gas inlet pressure of 40 mbar (4 kPa).
- maximum pressure drop at ignition = 5mbar.


Before connection, check that the available gas and pressure comply with the information above: this information is also shown on the “DATA PLATE GAS” plate attached to the side of the oven.


The female attachment for connection to the gas utilities is on the lower part of the oven: the connection must be done using a rigid or flexible pipe with a cut-off valve (not supplied) placed upstream of the appliance.

 Make sure that the gas tube does not run next to hot areas and that they are not subject to pulling, twisting or crushing.

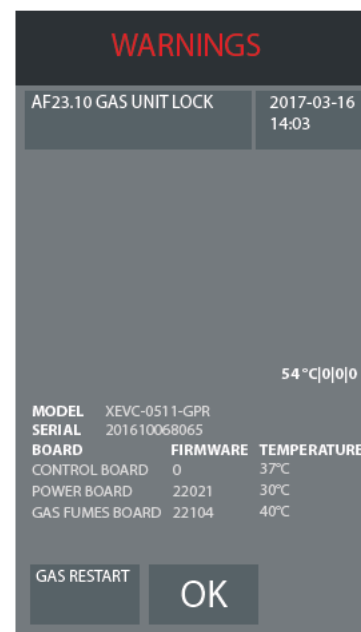
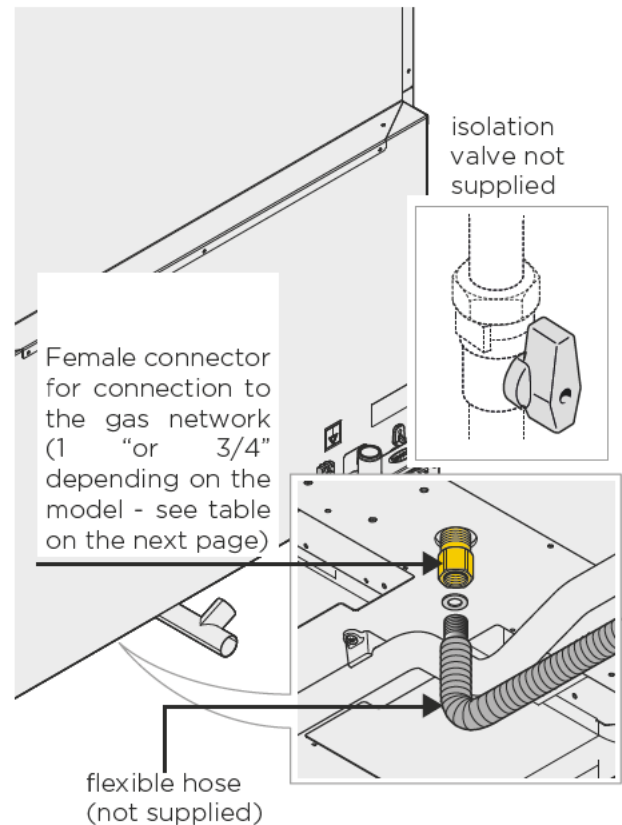
 The gas supply system and all attachments must be up to code and respect the regulations in force in the country of use (for Australia: AS5601).

 Components sealed with red paint must never be tampered with!

 The oven can only be reset after a GAS error by holding down the “REARM” button on the screen and then the OK button.

 Special adjustments are not needed when using this appliance at high altitudes.

Gas supply tubing or hose shall comply with the national requirements in force and shall be periodically examined and replaced as necessary.



BAKERTOP MIND.Maps™ PLUS

Oven code	Female thread fitting	P max [kW]						
		G110	G20	G25	G25.1	G25.3	G30	G31
XEBC-06EU-GPxM	3/4"	16	19	19	19	19	19	19
XEBC-10EU-GPxM	3/4"	20	25	24	23	21	25	25
XEBL-16EU-GPxS	3/4"	39	48	48	48	48	48	48

CHEFTOP MIND.Maps™ PLUS

Oven code	Female thread fitting	P max [kW]						
		G110	G20	G25	G25.1	G25.3	G30	G31
XEVC-0511-GPxM	3/4"	13	15	15	15	15	15	15
XEVC-0711-GPxM	3/4"	16	19	19	19	19	19	19
XEVC-1011-GPxM	3/4"	17	22	22	22	22	22	22
XEVL-2011-GPxS	3/4"	39	48	48	48	48	48	48
XEVC-0621-GPxM	3/4"	16	24	23	22	22	24	24
XEVC-1021-GPxM	3/4"	23	35	31,5	31,5	31,5	35	35
XEVL-2021-GPxS	1"	-	90	86	86	86	90	90

9

PLUMBING CONNECTIONS

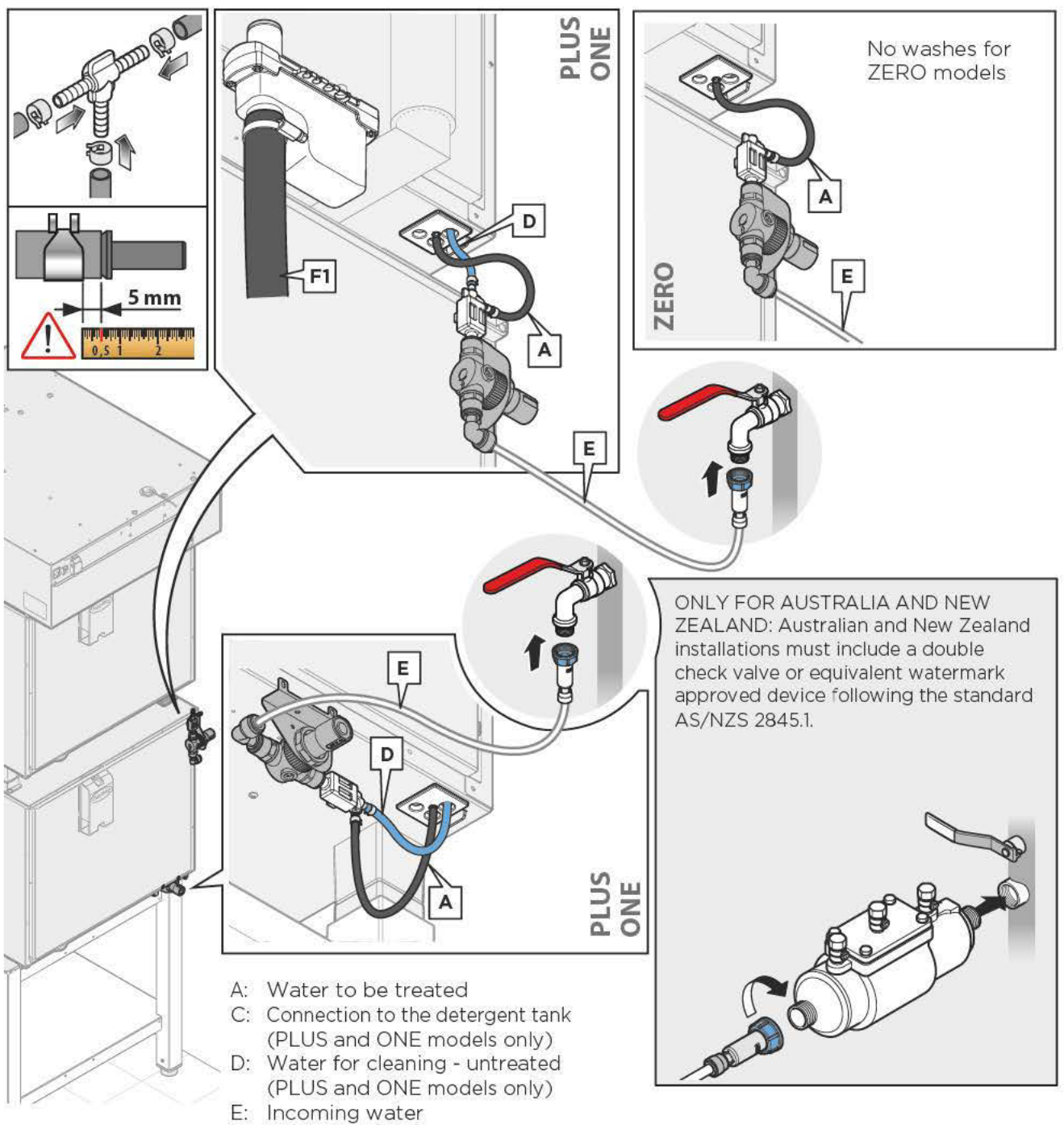
Plumbing: water supply

The rear of the appliance contains:

- 1.5 meters of hose, mechanical filter, pressure reducer and (3/4") fitting with non-return valve for plumbing. Before connecting the water pipe to the appliance, flush it out with water in order to eliminate any residue which may be accumulated inside. An isolation valve should be positioned between the water mains and the appliance;
- two attachments for connecting additional water treatment accessories (**UNOX.Pure** or **UNOX.Pure-RO**). To connect the attachments, please follow the instructions on the accessory package. Do not use ion-exchange resin water softeners.
- a pipe to supply detergent to clean the oven cavity (where applicable);

+ To facilitate water connection for multiple column installations (**MAXI.Link**), use the "T" connection in the UNOX stacking kit.

! Use the set of new connections supplied with the appliance for the connection to the water mains. Connections that have already been used must not be used again.



INLET WATER CHARACTERISTICS

⚠ Any damage caused by using water with parameters that do not correspond to what is specified in this section is not covered by the guarantee.

Inlet water must have the following specifications:

- maximum water temperature of 30 °C;
- water of drinking quality;
- water pressure between 150 and 600 kPa (we recommend 200 kPa).

⊕ If the inlet water pressure is lower than the indicated value (150kPa) use a pump with adequate capacity (minimum flow 300 l/h).

Inflow water specifications STEAM circuit:

Free chlorine ≤ 0,1 ppm

Chloramine ≤ 0,1 ppm

TDS ≤ 125 ppm

Silica ≤ 12 ppm

pH 7 ÷ 8,5

Total hardness (TH) ≤ 8 °d

Chlorides* ≤ 25 ppm

Alkalinity ≤ 150 ppm as CaCO₃

*Maximum chloride content, Cl⁻, is not a fixed value, but it depends on the NHM (Non Hardness Measurement) calculated value

NHM = EC - (TH** x 30)

EC = electrical conductivity [μS/cm]

TH = total hardness** [° dH - German degrees]

NHM ≤ 250 μS/cm	TH < 8 °dH, Cl ⁻ ≤ 25 ppm (5 drops of reagent*)	No water treatment
	TH ≥ 8 °dH, Cl ⁻ ≤ 25 ppm (5 drops of reagent*)	UNOX.Pure
	Cl ⁻ > 25 ppm (5 drops of reagent*)	UNOX.Pure-RO
NHM = 250 - 350 μS/cm	Cl ⁻ ≤ 20 ppm (4 drops of reagent*)	UNOX.Pure
	Cl ⁻ > 20 ppm (4 drops of reagent*)	UNOX.Pure-RO
NHM = 350 - 450 μS/cm	Cl ⁻ ≤ 15 ppm (3 drops of reagent*)	UNOX.Pure
	Cl ⁻ > 15 ppm (3 drops of reagent*)	UNOX.Pure-RO
NHM = 450 - 500 μS/cm	Cl ⁻ ≤ 10 ppm (2 drops of reagent*)	UNOX.Pure
	Cl ⁻ > 10 ppm (2 drops of reagent*)	UNOX.Pure-RO
NHM ≥ 500 μS/cm		UNOX.Pure-RO

* use the Kit UNOX KSTR1081A reagent ** hardness measured with the UNOX KSTR1082A kit

Should the water values for moisture generation differ from those shown, use a filter (**UNOX.Pure** or **UNOX.Pure-RO**).

If you need to install an UNOX.Pure-RO, please take note of the following information:

	1 osmosis filter	2 parallel osmosis filters	
1 motor	√		
2 motors	< 15 dH < 450 μS/cm	> 15 dH	> 450 μS/cm
3 motors	< 10 dH < 300 μS/cm	> 10 dH	> 300 μS/cm

* dH = total H₂O hardness
μS/cm = H₂O conductivity

* For total water hardness above 25 dH, an ion-exchange resin treatment is needed, before the osmosis filter. Do not use an Na⁺ ion-exchange resin if the water conductivity is greater than 450 μS/cm as this may corrode the glass.

Water spec for the WASHING circuit (PLUS and ONE models only)

Free chlorine $\leq 0,1$ ppm

Chloramine $\leq 0,1$ ppm

TDS ≤ 125 ppm

Silica ≤ 12 ppm

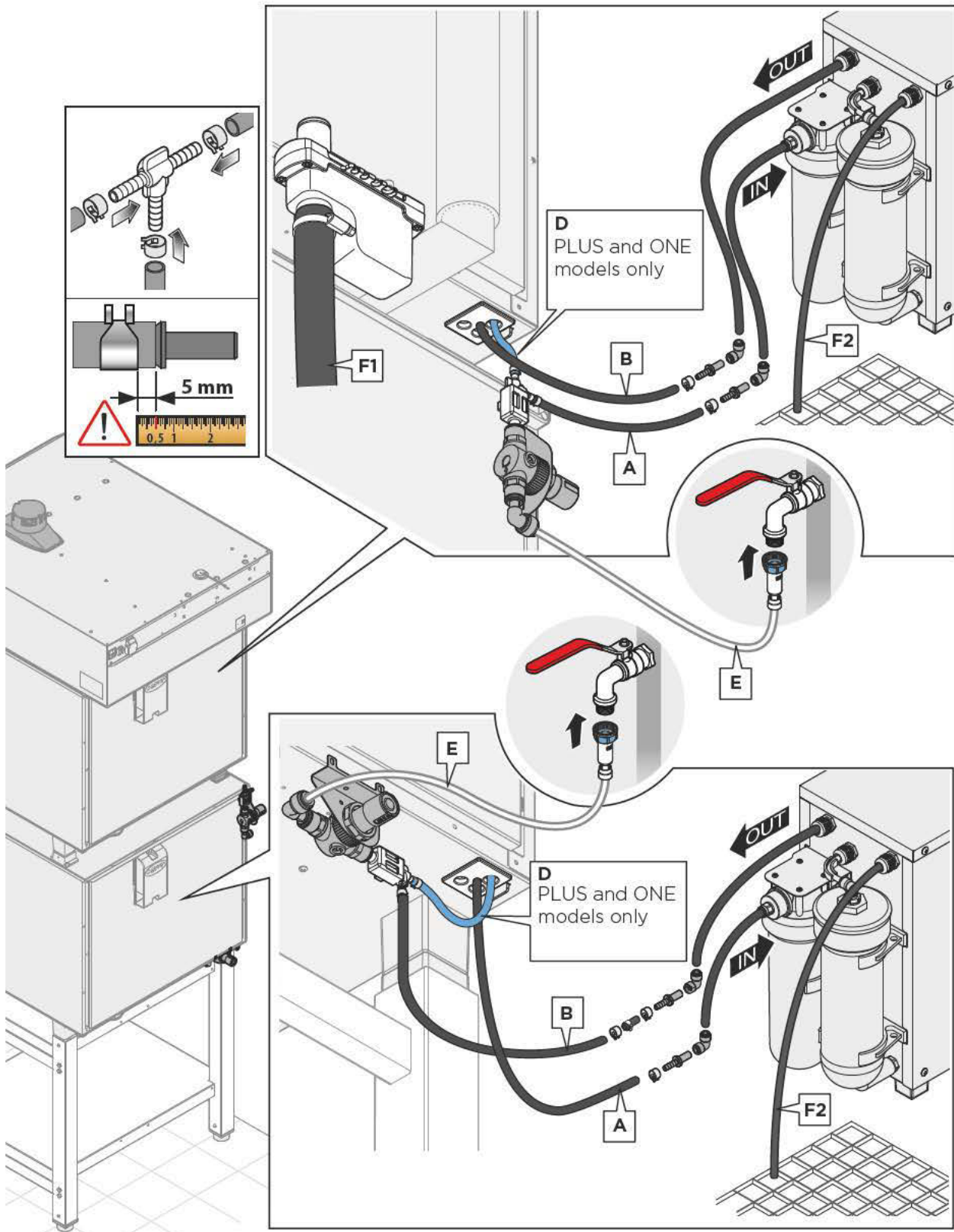
pH 7 ÷ 8,5

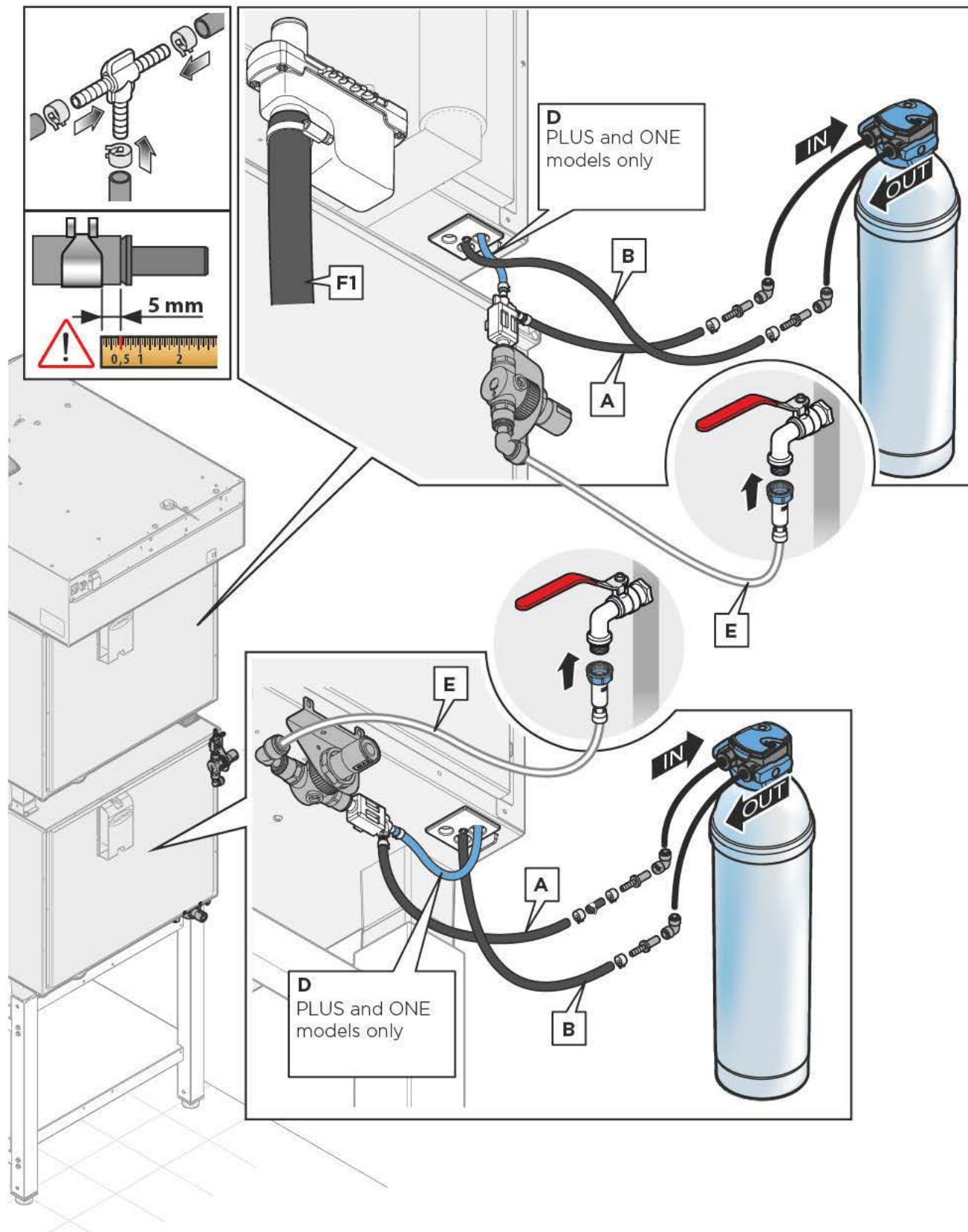
Total hardness (TH) $\leq 15^{\circ}\text{d}$

Chlorides ≤ 35 ppm

Alkalinity ≤ 200 ppm as CaCO_3

Should the water values for the WASH circuit differ from those shown, treat the water entering the system as necessary.








- A: Water to be treated
- B: Water for cavity steam - treated
- C: Connection to the detergent tank (PLUS and ONE models only)
- D: Water for cleaning - untreated (PLUS and ONE models only)
- E: Incoming water
- F1: Appliance drain
- F2: UNOX.Pure-RO drain

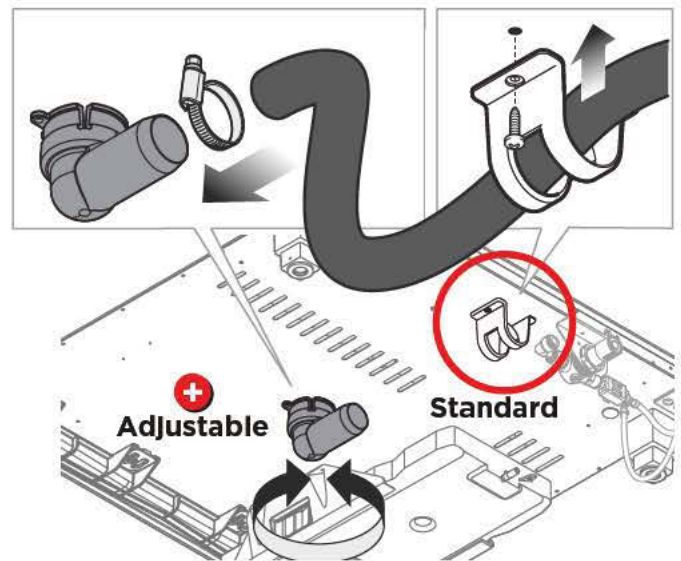
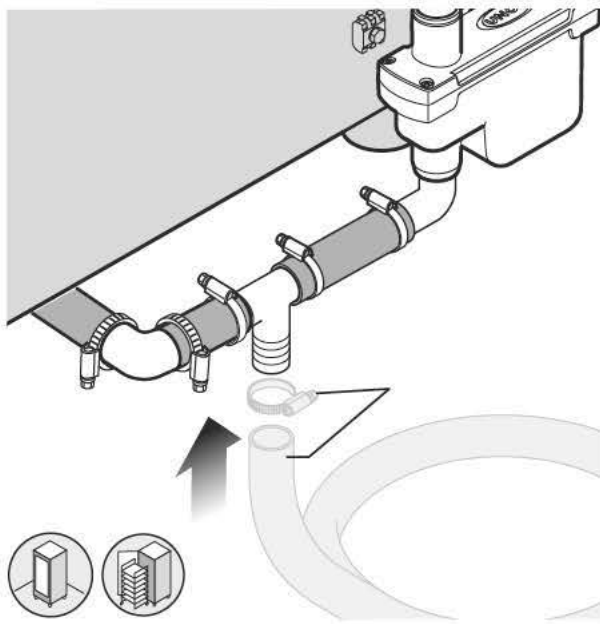
PLUMBING: DRAINAGE

The drain is located:



- on the bottom of counter top ovens;
- on the back of free-standing ovens with or without trolley.

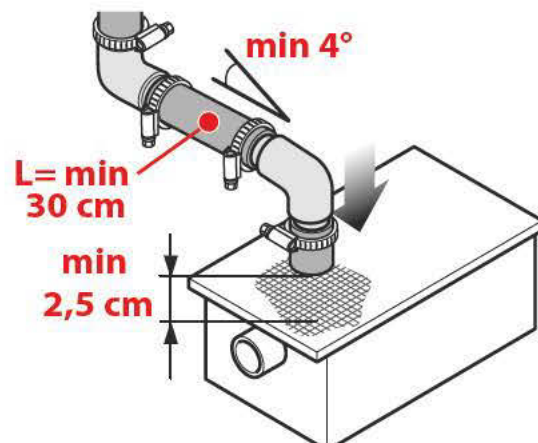
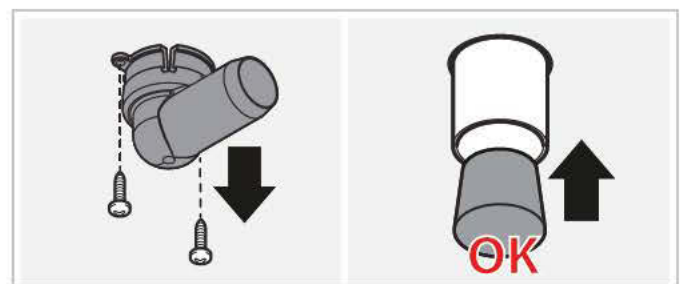
Connect the bend/siphon to a rigid pipe or flexible hose and connect the assembly to waste water drainage in accordance with local water regulations.

-  Unox recommends its proprietary rigid pipes and flexible hoses.
-  **The waste water draining from the oven may be hot (90°C). The pipes used for water drainage must be able to withstand high temperatures and not be made of metal.**
-  If it is necessary to lower the temperature of the waste water, UNOX recommends its waste water cooling kit.



If the **BAKERTOP MIND.Maps™** oven cannot be permanently connected to a drainage system, the terminal must be sealed with the conical plug provided in the "Starter kit". Remove elbow fitting by unscrewing the supporting screws and place the conical plug in the drainage terminal.

-  When the drain is blocked, DO NOT use the washing programs or wash the cavity with large quantities of water. Risk of flooding.
-  If cooking large amounts of greasy foods, remove the siphon and add a grease separator or discharge directly into the grate. Keep the indicated air gap in both cases.



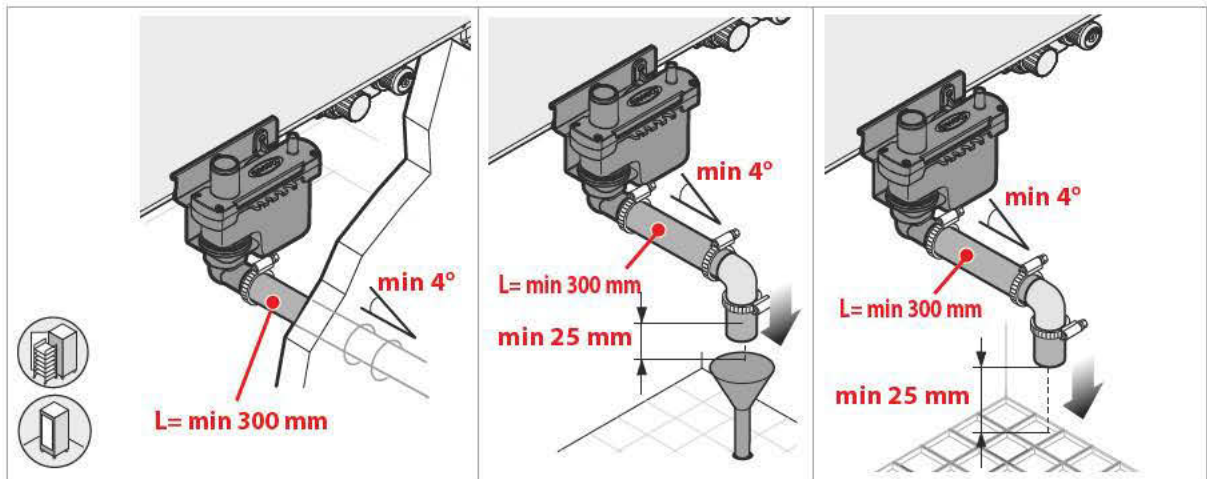
Drainage specifications

The drainage system must:

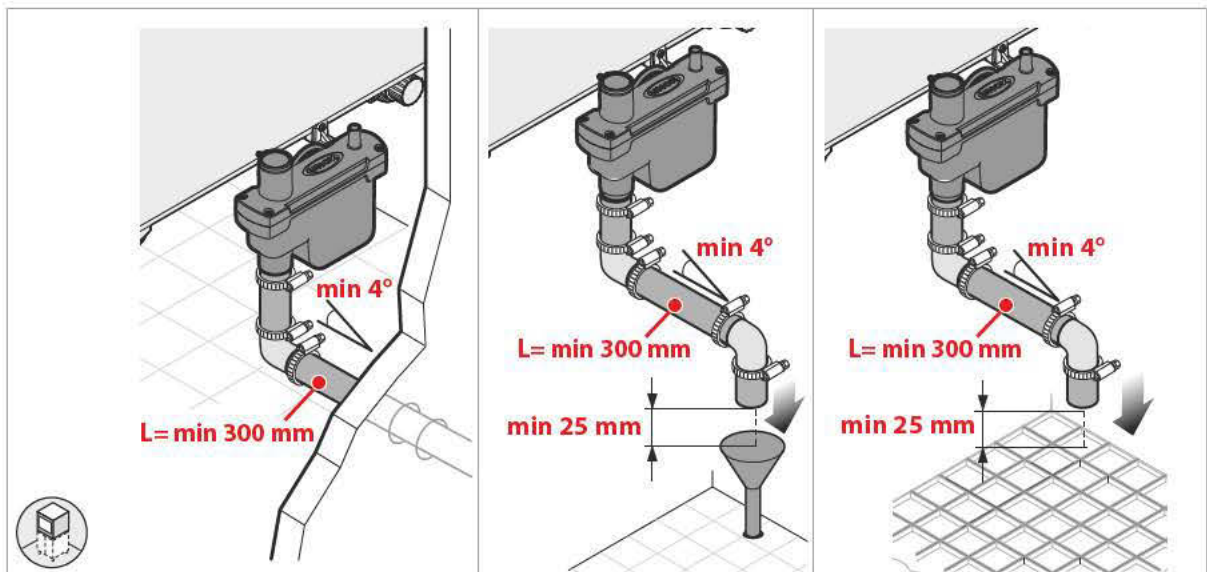
- be a siphon-type;
- be one meter in length maximum;
- have a minimum incline of 4%;
- have a diameter that is NOT less than the drain pipe attachment;
- be free of kinks and sharp ends;
- be dedicated to each appliance; if this is not the case, make sure that the main drainage pipe is sized sufficiently to ensure that water flows away properly without any problems.

(1): The wall-mounted exhaust output must have an air gap of at least 25 mm.

FREE-STANDING OVENS
WITH OR WITHOUT TROLLEY (1)

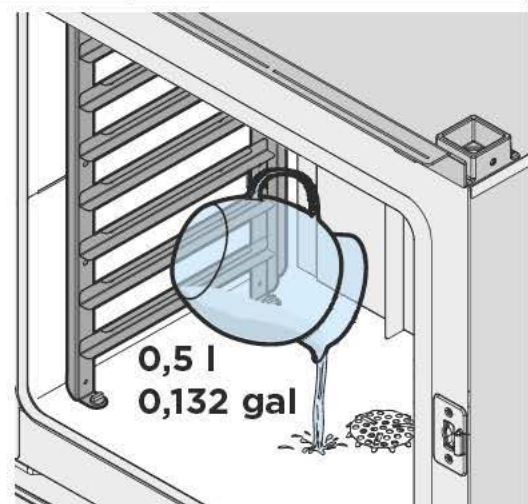


COUNTERTOP OVENS (1)

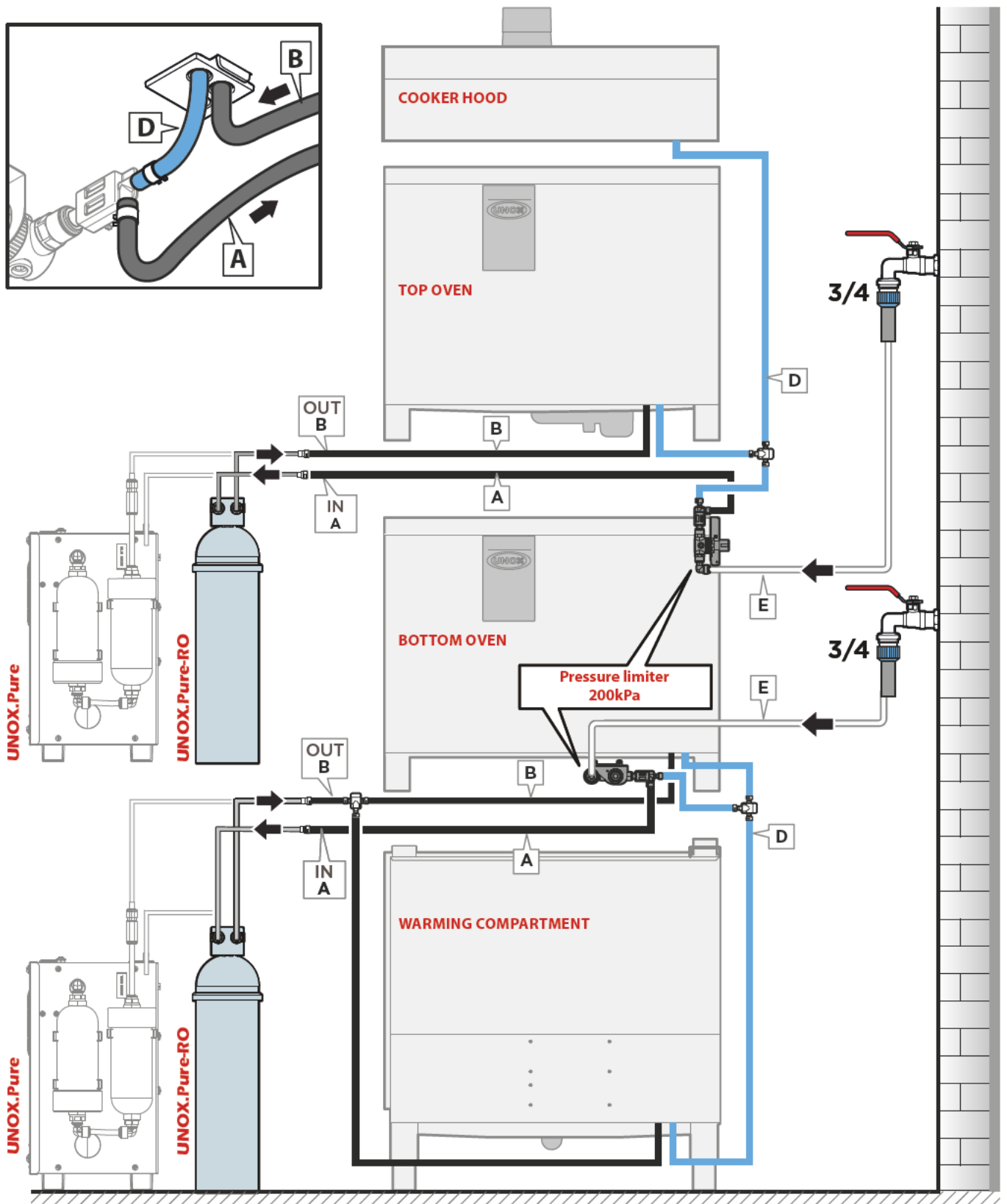


Siphon filling

After installation, pour at least 0.5 l (0.132 gal) in the drain in the oven cooking chamber until the siphon is filled.

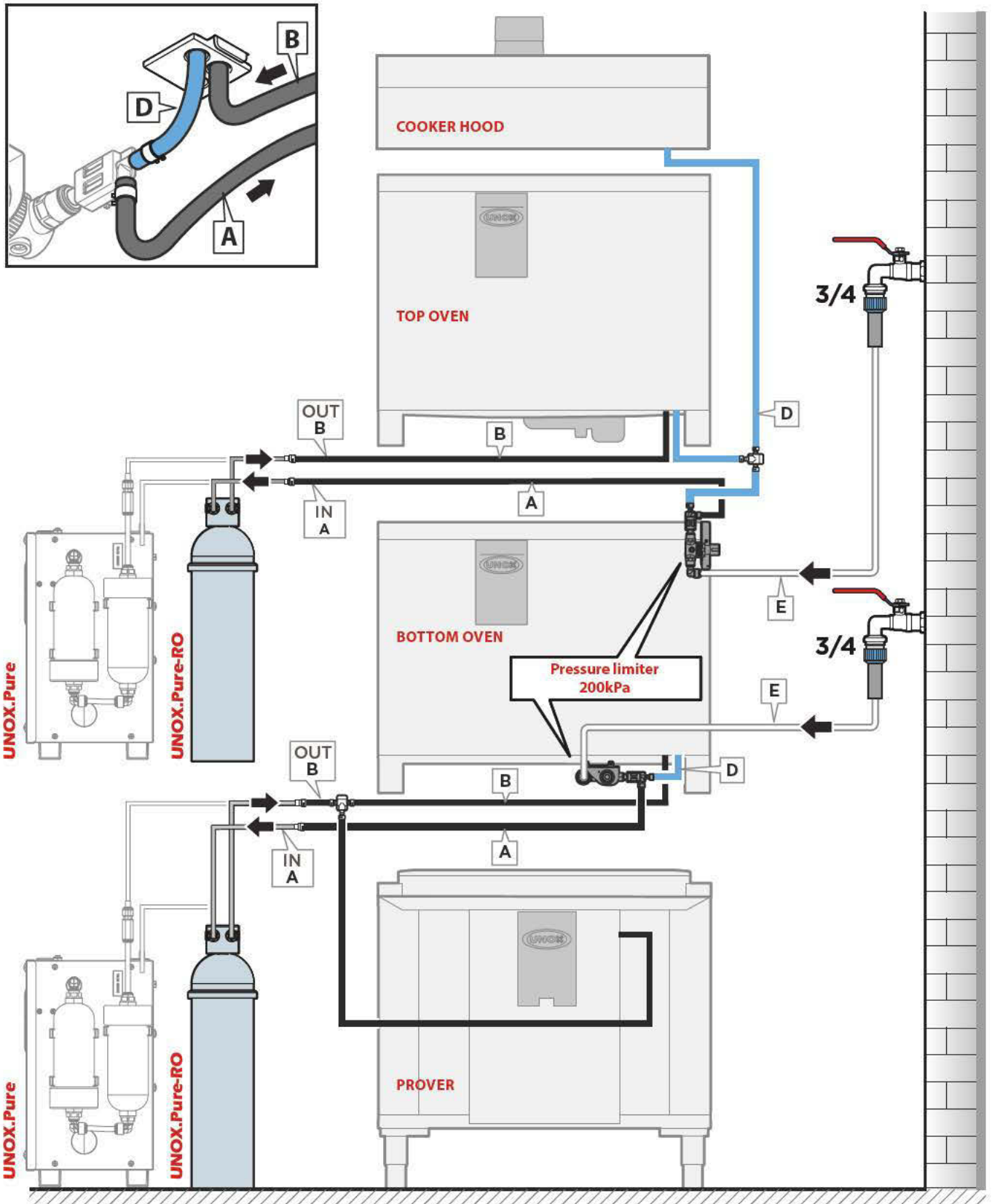


Example of plumbing in **MAXI.Link** columns



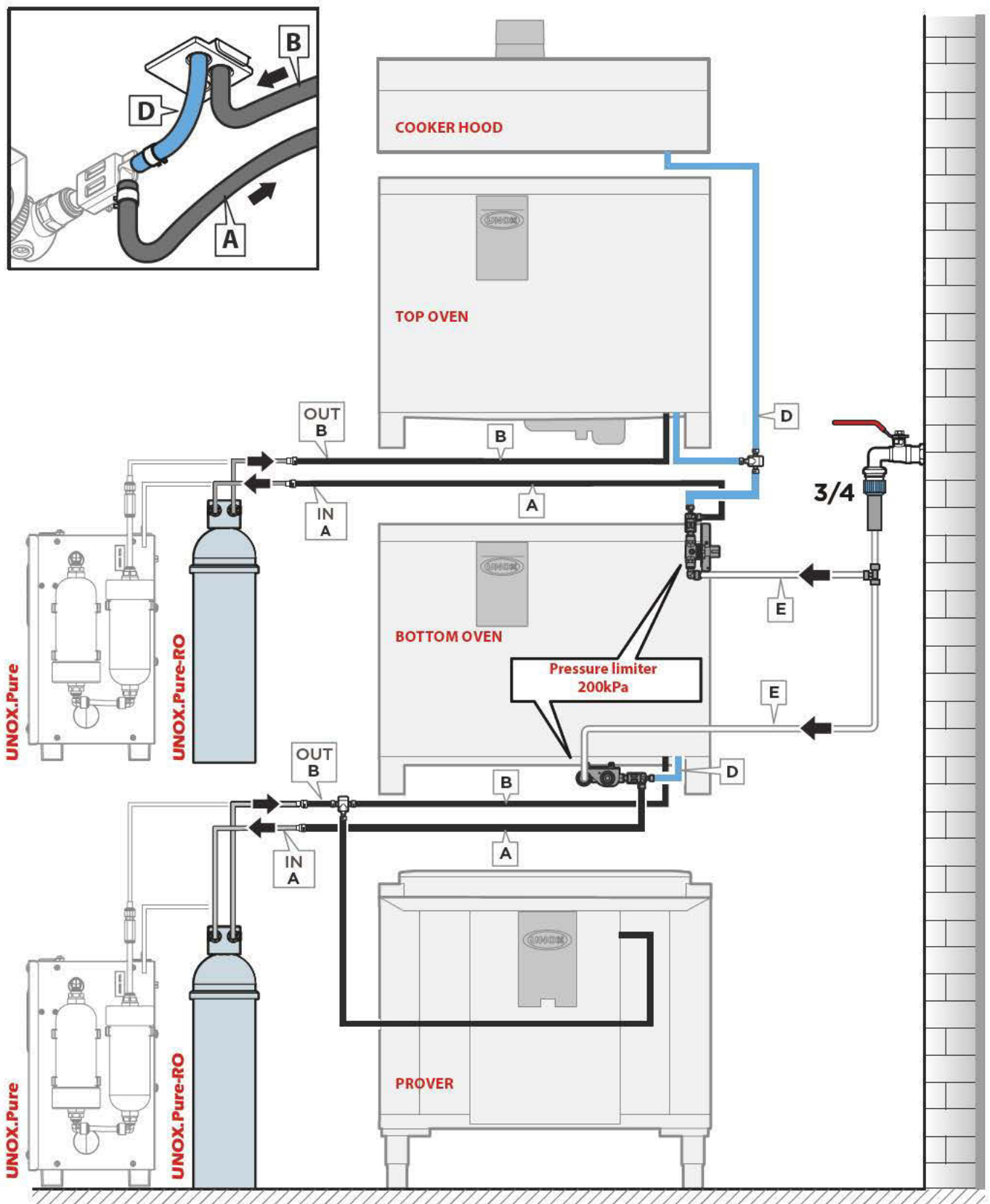
- A: Water to be treated
- B: Water for cavity steam - treated
- C: Connection to the detergent tank (PLUS and ONE models only)
- D: Water for cleaning - untreated (PLUS and ONE models only)
- E: Incoming water

Example of plumbing in **MAXI.Link** columns



- A: Water to be treated
- B: Water for cavity steam - treated
- C: Connection to the detergent tank (PLUS and ONE models only)
- D: Water for cleaning - untreated (PLUS and ONE models only)
- E: Incoming water

Example of plumbing in **MAXI.Link** columns



- A: Water to be treated
- B: Water for cavity steam - treated
- C: Connection to the detergent tank (PLUS and ONE models only)
- D: Water for cleaning - untreated (PLUS and ONE models only)
- E: Incoming water

10 FILLING THE DETERGENT TANK (PLUS and ONE models only)

! Filling can only be done with the 1-litre bottles of the **UNOX.Det&Rinse Plus** detergent.

To refill the detergent:

1. Wear gloves to avoid direct contact of hands with detergent.
2. Take out the tank from under the oven until you hear a "click".
3. Open the lid of the tank.
4. Open the cap of the UNOX 1-litre detergent bottle **without removing/piercing the protective film!**
5. Turn the bottle upside down and screw it on the tank (by screwing the bottle, a pin in the tank breaks the protective film, which allows the detergent to come out).
6. Once the bottle is emptied, unscrew it to remove it; avoid dripping

! **The detergent must not come into contact with skin, eyes or mucous membranes.** In case of contact with the detergent, follow the instructions found on the safety data sheet.

7. Repeat the process up to the maximum level allowed indicated on the front of the tank. (Maximum capacity of the tank is 4 litres = 4 bottles)
8. Remove the bottle.
9. Replace the tank under the oven until it stops.
10. Dispose of the gloves, taking care not to touch the areas spoiled with detergent.

! Never touch the detergent with bare hands!



11 EXHAUST (ONLY FOR ELECTRICAL OVENS)

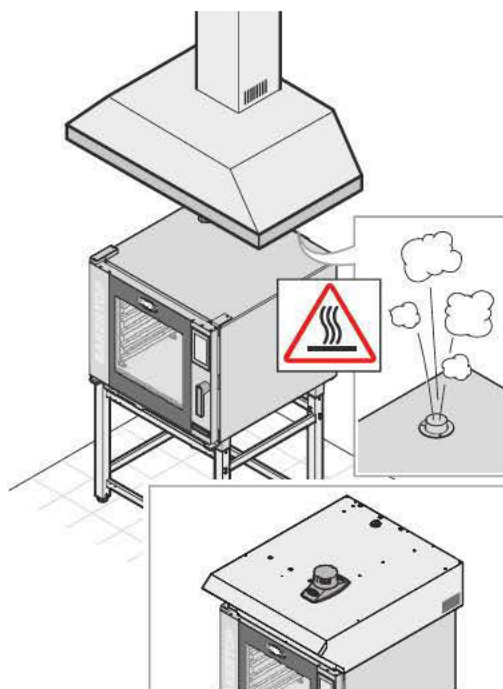
Cooking produces hot exhaust fumes and odours that are evacuated through an exhaust pipe on the top of the appliance.

! Make sure that no objects or materials that may obstruct fume evacuation or become damaged by the temperature or fumes are placed above the smoke exhaust. Do not leave flammable materials near the smoke exhaust.

Outdoor evacuation of fumes can be done using:

- 1) A cooker hood of adequate power and size for the type of oven.
- 2) A cooker hood made by the manufacturer and directly managed by a self-diagnosis system of the oven.

Follow the instructions on the UNOX hood packaging for their assembly.





12 FUMES AND COMBUSTION GASSES EXHAUST (ONLY FOR GAS OVENS)

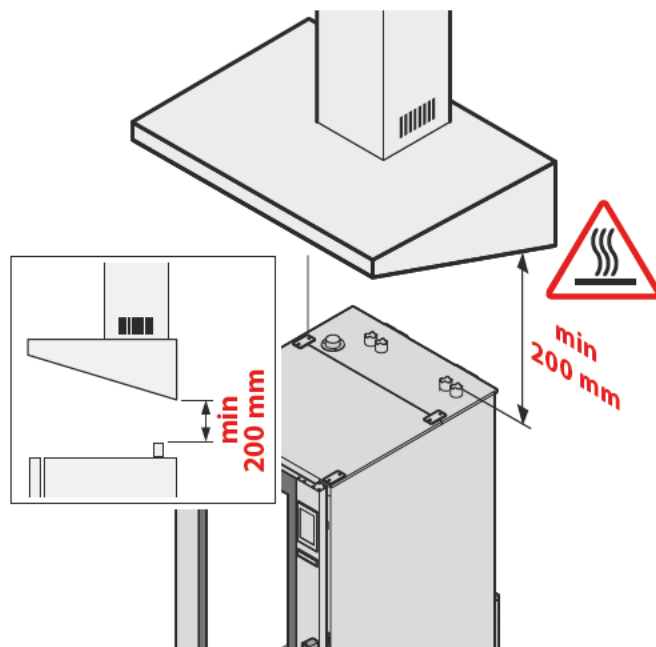
The exhaust pipes evacuate fumes and odours from the oven cavity as well as the exhaust gases. Evacuation may be done in a variety of manners: select the method best suited to the nominal power of the appliances installed; and follow the local/national installation regulations of the country of use.

- 1) Evacuation through a cooker hood of adequate power and size for the type of oven.

The hood must be installed at least 20 cm from the exhaust pipe.

 Exhaust gases may heat up to 500°C. Do not use exhaust pipes made of aluminium or materials not resistant to these temperatures.


 Make sure that there are no objects or materials obstructing the flue or which may be damaged by the temperature or fumes. Do not leave flammable materials near the smoke exhausts.

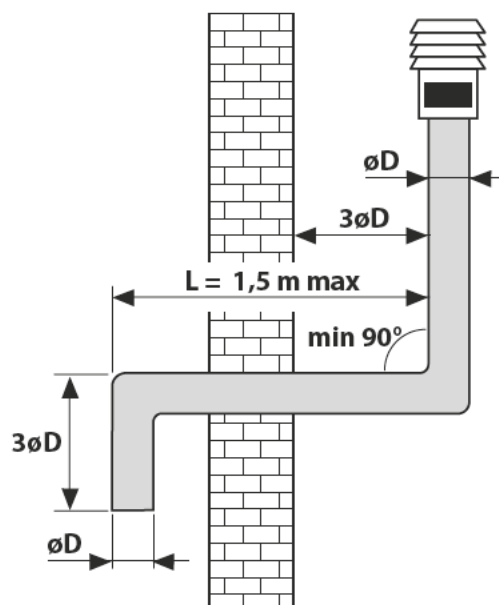


- 2) Evacuation through an efficient ventilation flue. The oven should be obligatorily equipped with a ventilation switch option provided on request by UNOX

The ventilation flue must:

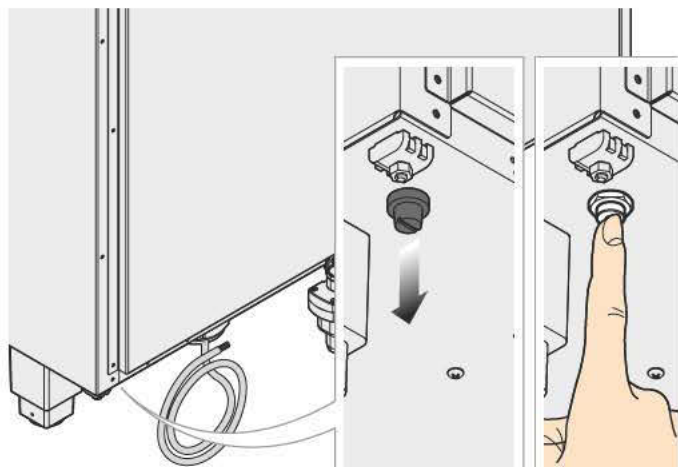
- maintain the same diameter ($\varnothing D$) as the oven's ventilation throughout its length;
- have an upright section ($3\varnothing D$) above the ventilation elbow that is 3 times the diameter $\varnothing D$;
- follow an upward trajectory at a minimum incline of 10%, and must incorporate no angles smaller than 90 degrees. The horizontal part (L) must not exceed 1.5 metres in length.

 We recommend a flue cover be installed on top of the external end of the flue, to prevent rainwater from getting into the oven and to minimise pressure drops caused by the Venturi effect, which can occur during strong air currents.



13 OVEN RESETTING PROCEDURE (RESERVED FOR SERVICE CALLS)

To reset the functioning of the oven, remove the black cap of the thermostat by unscrewing it and press the red pin as illustrated (operation reserved for Service calls).



14 CONNECTING STACKED APPLIANCES (MAXI.LINK) (PLUS and ONE models only)

All ovens of the **CHEFTOP-BAKERTOP MIND. Maps™** line are designed to be connected to accessories (prover, hood, etc.). The accessories connect to the oven by means of ModBus connectors located on the back of the oven, which automatically connect.

- 1 Disconnect all appliance from the electricity mains.
- 2 Remove the rear panel of the oven to access the power board.
- 3 Connect the RJ45 cable to one of the ModBus outlets corresponding to the power board.
- 4 Replace the rear panel of the ovens.
- 5 Reconnect all the appliances to the electricity mains.

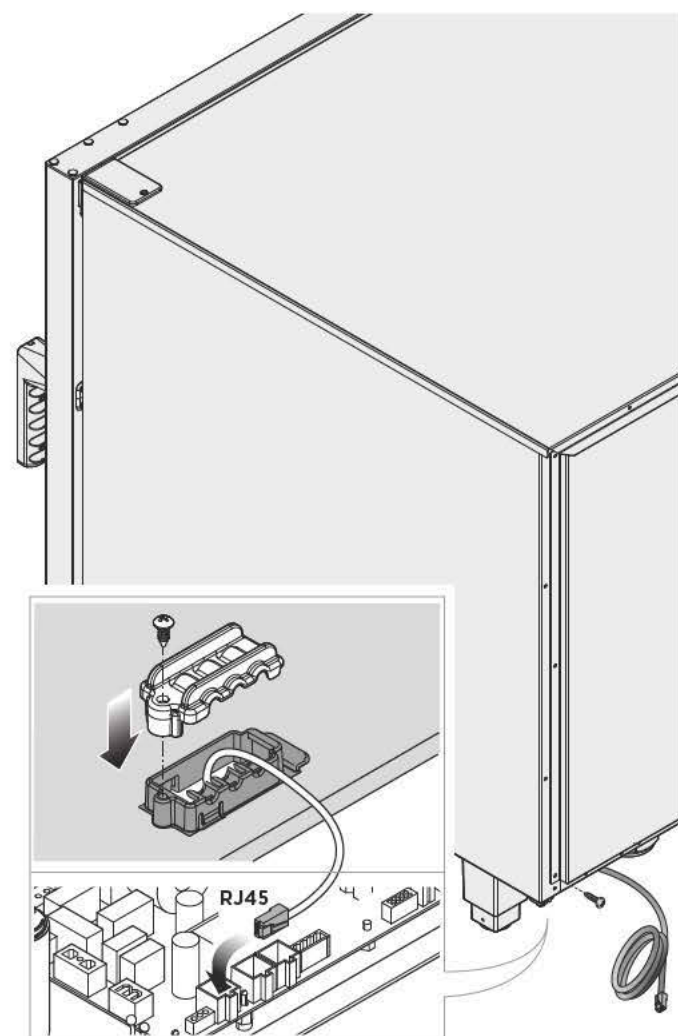
+ Follow the instructions contained in the accessory packing for information on how to fully install and manage them.

! Connect the ModBus cables only to the relative ModBus connectors and not to the RJ45 Ethernet connectors.

15 PLANNED MAINTENANCE SERVICE (ANNUALLY)

- Tighten all electrical connections.
- Check the polarity of the incoming 220-240Vac and earth continuity
- Check the unit is set for the correct gas pressures and gas type.
- Complete a full safety check of the gas system CO-CO₂ emission according to the oven model
- Check all connection for gas leaks with an electronic gas leak detector
- Check the ionization current from the flame sensor

For the maintenance refer to your local reseller or contact directly UNOX Italy.



Disposal

Pursuant to article 13 of Italian Legislative Decree 49 of 2014 "Implementation of the WEEE Directive 2012/19/EU on waste electrical and electronic equipment"



The crossed-out wheeled bin symbol indicates that the product was placed on the market after 13 August 2005 and that, at the end of its useful life, it should not be disposed of with other waste, but must be collected separately.

All appliances are made with recyclable metal materials (stainless steel, iron, aluminium, galvanized steel, copper, etc.) in percentages above 90% by weight.

Before disposal, ensure the appliance is unusable by removing the power cable and all compartment or cavity closure devices (where present).

At the end of its useful life, the product must be disposed of in such a way as to reduce any negative impact on the environment and make efficient use of available resources. Prefer prevention, preparation for reuse, recycling and reclamation, and remember "the polluter pays". Please note that illegal or incorrect disposal of the product incurs penalties, as provided for by current legislation.

Information on disposal in Italy

In Italy, WEEE appliances must be delivered to:

- recycling centres (also known as waste disposal sites/facilities)
- the dealer from whom a new appliance is purchased, who is required to collect them free of charge ("one-for-one" exchange);

Information on disposal in European Union countries

The EU Directive on WEEE appliances has been implemented differently by each country. Therefore, if you want to dispose of this appliance, we recommend you contact your local authority or dealer for information on the correct disposal method.

Certification

EU declaration of conformity for electrical and gas appliances

Manufacturer: UNOX S.p.A.

Address: Via Majorana, 22 - 35010 Cadoneghe, Padua, Italy

Declares, under its own responsibility, that the product

CHEFTOP-BAKERTOP MIND.Maps™

For electric and gas ovens:

complies with the Machinery Directive 2006/42/EC through the following standards:

EN 60335-1: 2014 + A1:2014

EN 60335-2-42: 2003 + A1: 2008 + A1:2012

EN62233: 2008

EN 60335-2-102:2006 + A1:2010

complies with the Electromagnetic Compatibility Directive 2014/30/EC through the following standards:

EN 55014-1: 2006 + A1: 2009 + A2: 2011

EN 55014-2: 1997 + A1: 2001 + A2: 2008

EN 61000-3-2: 2006 + A1: 2009 + A2: 2009

EN 61000-3-3: 2008

EN 61000-3-11: 2000

EN 61000-3-12: 2011

EN 61000-6-2: 2005

EN 61000-6-3: 2007

For gas ovens only:

complies with the (EU) GAR Regulation 2016/426 through the following standards:

EN 203-1: 2014 / EN 203-2-2: 2006



INTERNATIONAL

UNOX S.p.A.

Via Majorana 22 / 35010 Cadoneghe (PD) Italy
Tel +39 049 8657511 / Fax +39 049 8657555
info@unox.com



INVENTIVE SIMPLIFICATION

EUROPE

ITALIA

UNOX S.p.A.
E-mail: info@unox.it
Tel.: +39 049 86 57 511

ČESKÁ REPUBLIKA

UNOX DISTRIBUTION s.r.o.
E-mail: info.cz@unox.com
Tel.: +420 241 940 000

РОССИЯ, ПРИБАЛТИКА И СТРАНЫ СНГ UNOX РОССИЯ

E-mail: info.ru@unox.com
Tel.: +7 (499) 702-00-14

ESPAÑA

UNOX PROFESIONAL ESPAÑA S.L.
E-mail: info.es@unox.com
Tel.: +34 900 82 89 43

SCANDINAVIAN COUNTRIES

UNOX SCANDINAVIA AB
E-mail: info.se@unox.com
Tel.: +46 (0)768 716 422

UNITED KINGDOM

UNOX UK Ltd.
E-mail: info@unoxuk.com
Tel.: +44 1252 851 522

PORTUGAL

UNOX PORTUGAL
E-mail: info.pt@unox.com
Tel.: +351 918 228 787

DEUTSCHLAND

UNOX DEUTSCHLAND GmbH
E-mail: info.de@unox.com
Tel.: +49 2951 98760

FRANCE, BELGIUM & LUXEMBOURG

UNOX FRANCE s.a.s.
E-mail: info.fr@unox.com
Tel.: +33 4 78 17 35 39

ÖSTERREICH

UNOX ÖSTERREICH GmbH
E-mail: bestellung@unox.com
Tel.: +43 800 880 963

HRVATSKA

UNOX CROATIA
E-mail: narudzbe@unox.com
Tel.: +39 049 86 57 538

TÜRKİYE

UNOX TURKEY Profesyonel MutfaK Ekip-
manları Endüstri ve Ticaret Limited Şirketi
E-mail: info.tr@unox.com
Tel.: +90 530 176 62 03

IRELAND

UNOX IRELAND
E-mail: info.ie@unox.com
Tel. +353 (0) 87 32 23 218

БЪЛГАРИЯ

UNOX BULGARIA
E-mail: info.bg@unox.com
Tel.: +359 88 23 13 378

ASIA & AFRICA

MALAYSIA & SINGAPORE

UNOX (ASIA) SDN. BHD
E-mail: info.asia@unox.com
Tel.: +603-58797700

OTHER ASIAN COUNTRIES

UNOX (ASIA) SDN. BHD
E-mail: info.asia@unox.com
Tel.: +603-58797700

PHILIPPINES

UNOX PHILIPPINES
E-mail: info.asia@unox.com
Tel.: +63 9173108084

대한민국

UNOX KOREA CO. Ltd.
E-mail: info.asia@unox.com
전화: +82 2 69410351

AMERICA & OCEANIA

U.S.A. & CANADA

UNOX Inc.
E-mail: infousa@unox.com
Tel.: +1 800 489 8669

MEXICO

UNOX MEXICO, S. DE R.L. DE C.V.
E-mail: info.mx@unox.com
Tel.: +52 1555 4314 180

BRAZIL

UNOX BRAZIL
E-mail: info.br@unox.com
Tel.: +55 11 98717-8201

U.A.E.

UNOX MIDDLE EAST DMCC
E-mail: info.uae@unox.com
Tel.: +971 52 304 3321

SOUTH AFRICA

UNOX SOUTH AFRICA
E-mail: info.sa@unox.com
Tel.: +27 845 05 52 35

INDONESIA

UNOX INDONESIA
E-mail: info.asia@unox.com
Tel.: +62 81908852999

中华人民共和国

UNOX TRADING (SHANGHAI) CO. Ltd.
电子邮件: info.china@unox.com
电话: +86 21 56907696

COLOMBIA

UNOX COLOMBIA
E-mail: info.co@unox.com
Tel.: +57 350 65 88 204

AUSTRALIA

UNOX AUSTRALIA PTY Ltd.
E-mail: info@unoxaustralia.com.au
Tel.: +61 3 9876 0803

NEW ZEALAND

UNOX NEW ZEALAND Ltd.
E-mail: info@unox.co.nz
Tel.: +64 (0) 800 76 0803

L12444C0D00-LD1-01 - Printed: 01-2020
All images used are for illustrative purposes only.
All features indicated in this catalogue may be subject to change and could be updated without notice.

UNOX.COM | FOLLOW US ON





CHEFTOP-BAKERTOP MIND.Maps™

MANUEL D'INSTALLATION



SECTION INSTALLATION

INTRODUCTION.....	4
PRÉAMBULE	4
EXPLICATION DES PICTOGRAMMES.....	4
NORMES DE SÉCURITÉ POUR L'INSTALLATION	5
DÉBALLAGE DE L'APPAREIL	7
CONTRÔLE DU CONTENU DE L'EMBALLAGE	8
OPÉRATIONS PRÉLIMINAIRES.....	9
POSITIONNEMENT	10
MODALITÉ DE POSITIONNEMENT - FOURS À POSER.....	14
MODALITÉ DE POSITIONNEMENT - FOURS SUR PIEDS AVEC/SANS CHARIOT	17
BRANCHEMENT ÉLECTRIQUE	20
RACCORDEMENT DU GAZ (SEULEMENT POUR DES FOURS À GAZ).....	24
RACCORDEMENT HYDRIQUE.....	26
REPLISSAGE DU BIDON DU DÉTERGENT.....	35
SYSTÈME D'EXTRACTION DES FUMÉES (SEULEMENT POUR LES FOURS ÉLECTRIQUES)	36
SYSTÈME D'EXTRACTION DES FUMÉES ET GAZ D'ÉCHAPPEMENT (SEULEMENT POUR LES FOURS À GAZ).....	36
PROCÉDURE DE RÉARMEMENT DU FOUR (RÉSERVÉ AUX INTERVENTIONS DE SERVICE).....	37
CONNEXIONS ENTRE APPAREILS SUPERPOSÉS (MAXI.LINK).....	37
SERVICE D'ENTRETIEN PROGRAMMÉ (ANNUEL)	37
ÉLIMINATION EN FIN DE VIE.....	38
CERTIFICATIONS	38

Introduction

Cher Client,

nous vous remercions d'avoir choisi un four/ un appareil complémentaire de la ligne **CHEFTOP-BAKERTOP MIND.Maps™**.

Ces fours représentent le résultat le plus élaboré de la recherche Unox qui garantit un encombrement minimum associé à d'excellentes performances et à une remarquable gestion des cuissons, en toute condition d'utilisation et de chargement.

Les fours **CHEFTOP-BAKERTOP MIND.Maps™** utilisent les meilleures technologies brevetées par UNOX, conçues grâce à la collaboration des chefs et des instituts de recherche les plus avancés dans le monde entier.

Une vaste gamme d'accessoires disponibles en font un instrument extrêmement éclectique, et rendent le travail en cuisine encore plus simple.

Préambule

Dans ce manuel sont illustrées l'installation et l'utilisation des gammes **CHEFTOP-BAKERTOP MIND.Maps™**.

Les fours de la ligne **CHEFTOP MIND.Maps™** et leurs accessoires permettent de créer, grâce à la technologie **MAXI.Link** des solutions de cuisson complètes (cooking solutions) destinées à la gastronomie, telles que : four avec étuve chauffante **SlowTop** et superposition de deux ou plusieurs fours.

Les modèles **CHEFTOP MIND.Maps™** sont disponibles dans les versions électriques ou à gaz, ils ont un contrôle numérique et une capacité de : 5, 10 **GN 1/3** - 5 **GN 2/3** - 3, 5, 7, 10, 20 **GN 1/1** - 6, 10, 20 **GN 2/1**.


Les fours de la ligne **BAKERTOP MIND.Maps™**, et leur accessoires, permettent de créer des colonnes de cuisson complètes (BAKING STATIONS), destinées à la pâtisserie et à la panification. Avec ces fours, il est possible de cuisiner : feuilletés, génoise, biscuits, beignets, croissants, pizzas, fougasses, panettones et produits au levain.

Les modèles **BAKERTOP MIND.Maps™** sont disponibles dans les versions électriques ou à gaz, ont un contrôle digital et une capacité de : 4, 6, 10, 16 plaques 600 x 400.

Tous les fours électriques sont disponibles, selon l'équipement, dans la version **ZERO**, **ONE**, ou **PLUS** ; cela permet de choisir entre une version essentielle et le maximum de l'innovation et de la praticité UNOX.

Les fours à gaz sont uniquement disponibles dans la version **PLUS**.

Les versions **ZERO** sont disponibles seulement avec les modèles électriques 5/7/10 GN 1/1.

 Nous vous conseillons de lire attentivement ce manuel, où figurent toutes les indications nécessaires pour conserver en parfait état les qualités esthétiques et fonctionnelles du produit acheté.

Explication des pictogrammes

Les instructions d'installation et d'utilisation sont valables pour tous les modèles sauf en cas de spécification différente des pictogrammes suivants :



Danger ! Situation de danger immédiat ou situation dangereuse qui pourrait causer des lésions ou un décès.



Risque d'incendie !



Risque d'électrochoc !



Lisez le manuel d'instructions



Risque de brûlures



Conseils et informations utiles



Symbole de mise à la terre



Symbole d'équipotentiel



Renvoi à un autre chapitre

Normes de sécurité pour l'installation et l'entretien

- Avant l'installation et l'entretien de l'appareil, lisez attentivement ce manuel et conservez-le avec soin pour d'ultérieures consultations de la part des divers opérateurs.
- Toutes les opérations d'installation, de montage et d'entretien extraordinaire doivent être uniquement réalisées par du personnel qualifié et autorisé par UNOX, selon les normes en vigueur dans le Pays d'utilisation et conformément aux normes relatives aux installations et à la sécurité sur lieu de travail.
- Avant d'effectuer toute intervention d'installation ou d'entretien, débranchez l'appareil de l'alimentation électrique et du gaz seulement pour les fours à gaz).
- Avant d'installer l'appareil, vérifiez que les installations soient conformes aux normes en vigueur dans le Pays d'utilisation et aux indications de la plaquette d'identification.
- Toute intervention, altération ou modification non expressément autorisée et contraire aux indications de ce manuel peut provoquer des dommages, lésions ou accidents mortels.
- Par ailleurs, toute intervention, altération ou modification non expressément autorisée et contraire aux indications de ce manuel entraînera l'annulation de la garantie.
- Une installation ou un entretien différent de ceux indiqués dans le manuel peuvent causer des dommages, des lésions ou des accidents mortels.
- Durant le montage de l'appareil, le passage ou la présence de personnes non chargées de l'installation ne sont pas autorisés dans la zone de travail.
- Si les appareils seront installés sur des roues ou superposés, utilisez uniquement les composants fournis par UNOX et respectez les indications de montage contenues dans leur emballage.
- Considérant son danger potentiel, le matériel d'emballage doit être conservé hors de la portée des enfants ou des animaux, et opportunément éliminé selon les normes locales.
- La plaque des caractéristiques fournit d'importantes informations techniques : elles sont indispensables en cas de demande d'intervention pour un entretien ou une réparation de l'appareil ; il est donc conseillé de ne pas la retirer, ni de l'endommager ou de la modifier.
- Le non-respect de ces normes peut provoquer des dommages et des lésions même mortelles, entraîner l'annulation de la garantie et dégage UNOX de toute responsabilité.
- Les parties protégées par le constructeur ou son agent ne peuvent pas être manipulées par l'installateur.
- L'appareil peut être utilisé par des enfants de plus de 8 ans et des personnes ayant des capacités physiques, sensorielles ou mentales réduites, ou privées d'expérience ou des connaissances nécessaires, à condition qu'ils soient surveillés ou qu'ils aient reçu les instructions relatives à l'utilisation sûre de l'appareil et à la compréhension des dangers qui lui sont inhérents. Les enfants ne doivent pas jouer avec l'appareil. Le nettoyage et l'entretien doivent être effectués par l'utilisateur et non pas par des enfants sans surveillance.
- Pour le nettoyage de tout composant ou accessoire, NE PAS utiliser de jets d'eau.
- Utilisez le set de raccords neufs fournis avec l'appareil pour le raccordement au réseau hydrique. Les raccords déjà utilisés ne doivent pas être réutilisés.
- Pour obtenir un branchement électrique correct, l'appareil doit :
 - être inclus dans un système équipotentiel selon ce que prévoit la normative en vigueur. Ce branchement doit être effectué entre divers appareils avec la borne indiquée par le symbole équipotentiel . Le conducteur devra avoir une section maximum de 10 mm² (selon la norme CEI EN 60335-2-36) et être de couleur jaune vert.
 - être obligatoirement raccordé à la ligne de terre  du réseau (câble de couleur jaune vert);

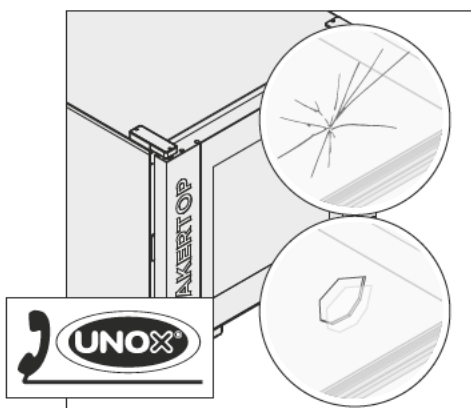
- être obligatoirement raccordé à un interrupteur différentiel thermique selon ce que prévoit la normative en vigueur (0.03A Type A);
- être obligatoirement raccordé à un mécanisme d'interruption omnipolaire qui permet une déconnexion complète dans les conditions de la catégorie de surtension III.

Uniquement pour les fours à gaz

- Installez obligatoirement l'appareil dans des lieux :
 - qui répondent aux qualités requises de sécurité prévues par les normes en vigueur ;
 - ayant une ventilation adéquate. Assurez-vous qu'il y ait un renouvellement d'air constant avec l'extérieur pour garantir une combustion correcte et pour empêcher la formation de substances volatiles nocives à la santé - risque d'étouffement !
- Assurez-vous :
 - d'effectuer l'installation conformément aux normes de sécurité du pays d'utilisation et de l'entreprise distributrice du gaz ;
 - que les ouvertures prévues pour la ventilation et le système d'évacuation de l'appareil ne soient pas obstrués (par ex. par des objets ou des parois) ;
 - que le type de gaz disponible corresponde bien à celui indiqué sur la plaque d'identification ;
 - que les tuyaux de raccordement du gaz correspondent aux diamètres indiqués ;
 - que les composants non fournis par UNOX utilisés pour l'installation répondent aux normes en vigueur dans le Pays d'utilisation ;
 - que la pression du tuyau de raccordement soit égal à la pression d'entrée ;
 - que la pression d'entrée maximale soit de 55 mbar au maximum ; des pressions supérieures ne sont pas autorisées.
- Après le raccordement du gaz, vérifiez l'étanchéité des composants préférablement avec des substances moussantes non corrosives. Évitez à tous prix l'utilisation des flammes !
- Lors de la première mise en marche, un technicien qualifié et autorisé par UNOX doit effectuer une analyse des gaz d'échappement du brûleur (CO, CO₂) en indiquant sur l'appareil les valeurs relevées.

DANGER D'ÉLECTROCHOC

- Ne pas ouvrir les compartiments où figure ce symbole : leur ouverture est réservée au personnel qualifié et autorisé UNOX. Le non-respect de cette norme entraîne l'annulation de la garantie et expose au risque de dommages et lésions mêmes mortelles.



Si le verre de l'appareil est fêlé ou endommagé, demandez son remplacement immédiat en contactant un Centre d'Assistance Autorisé. **Ne pas utiliser le four : risque d'explosion du verre !**

1 DÉBALLAGE DE L'APPAREIL

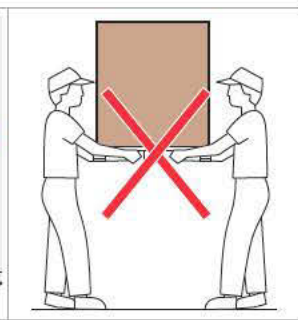
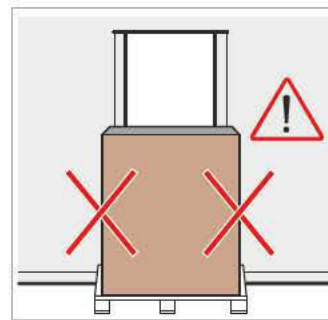
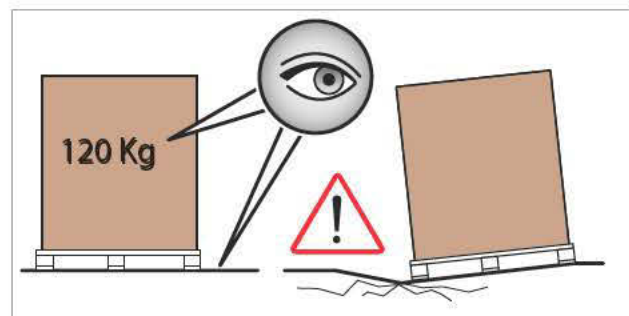
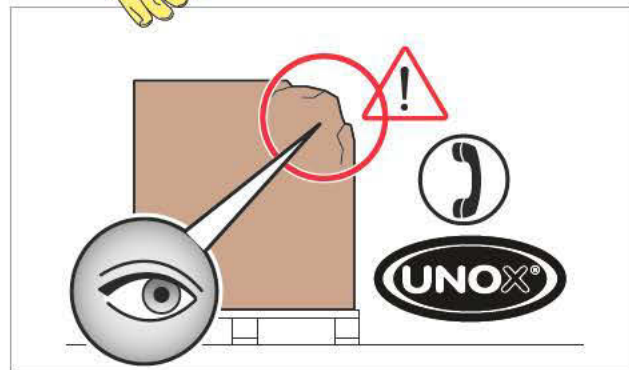
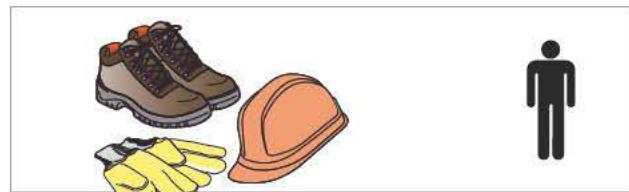
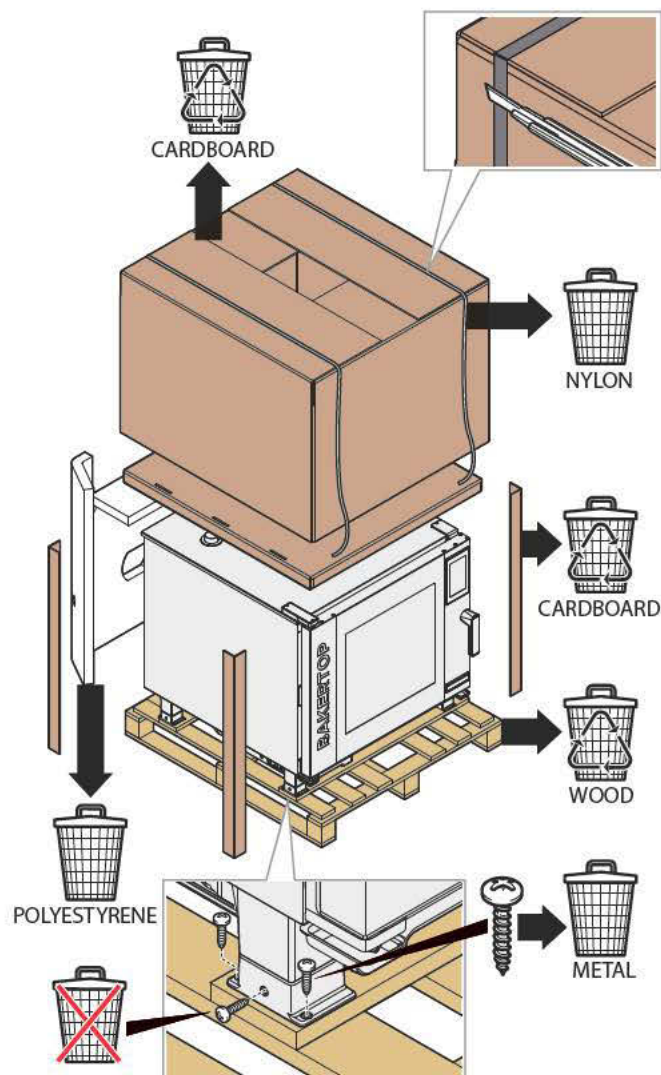
Au moment de la réception, contrôlez que l'emballage ne soit pas visiblement endommagé. Dans le cas contraire, contactez immédiatement UNOX et NE procédez pas à l'installation.

Avant de transporter l'appareil sur le lieu d'installation, assurez-vous que :

- il passe facilement à travers les portes ;
- le sol supporte son poids ;

Le transport doit être réalisé uniquement avec des moyens mécaniques (par ex. transpalettes).

⚠ Considérant son danger potentiel, le matériel d'emballage doit être conservé hors de la portée des enfants ou des animaux, et opportunément éliminé selon les normes locales.



NON-STOP Efforts

UNOX suit depuis des années la philosophie **NON-STOP Efforts** en augmentant la compatibilité environnementale de ses produits et en s'engageant à réduire la consommation énergétique et les gaspillages.

UNOX veut protéger l'environnement et invite à éliminer le matériel dans les conteneurs spécifiques au tri sélectif.

FR

2

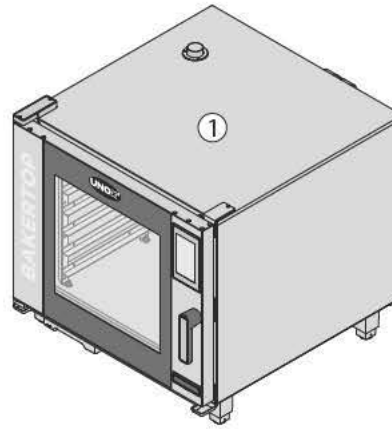
CONTRÔLE DU CONTENU DE L'EMBALLAGE

Avant de commencer l'installation, vérifiez la présence et l'intégrité des composants suivants contenus dans l'emballage.

⚠ Si un composant est absent ou endommagé, contactez UNOX.

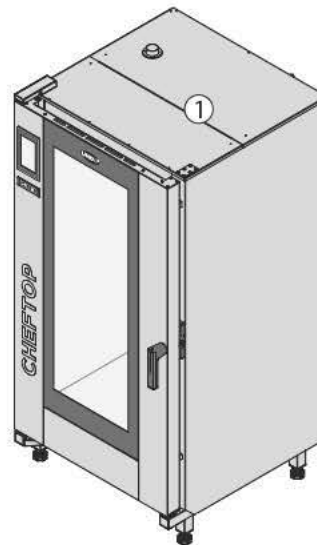
Fours de table

- ① four prédisposé pour :
 - branchement électrique (câble d'alimentation déjà présent, fiche à monter par l'installateur);
 - raccordement hydrique (conduit d'arrivée d'eau, filtre mécanique, raccord 3/4 avec clapet de non-retour déjà montés) ;
- ② documentation technique (manuel d'installation et d'utilisation, feuille des « Données techniques ») ;
- ③ 4 supports plastiques ;
- ④ sachet "Starter Kit" (8 vis autoforantes, 1 clé pour raccords, 1 étiquette adhésive indiquant un danger de chute des liquides).



Fours sur pieds avec/sans chariot

- ① four prédisposé pour :
 - branchement électrique (câble d'alimentation et fiche non montés);
 - raccordement hydrique (conduit d'arrivée d'eau, filtre mécanique, raccord 3/4 avec clapet de non-retour déjà montés) ;
- ② documentation technique (manuel d'installation et d'utilisation, feuille des « Données techniques ») ;
- ③ 2 supports plastiques ;
- ④ 1 sachet "Starter Kit" (8 vis autoforantes, 1 clé pour raccords, 1 étiquette adhésive indiquant un danger de chute des liquides) ;
- ⑤ chariot (seulement pour les mod. sur chariot).



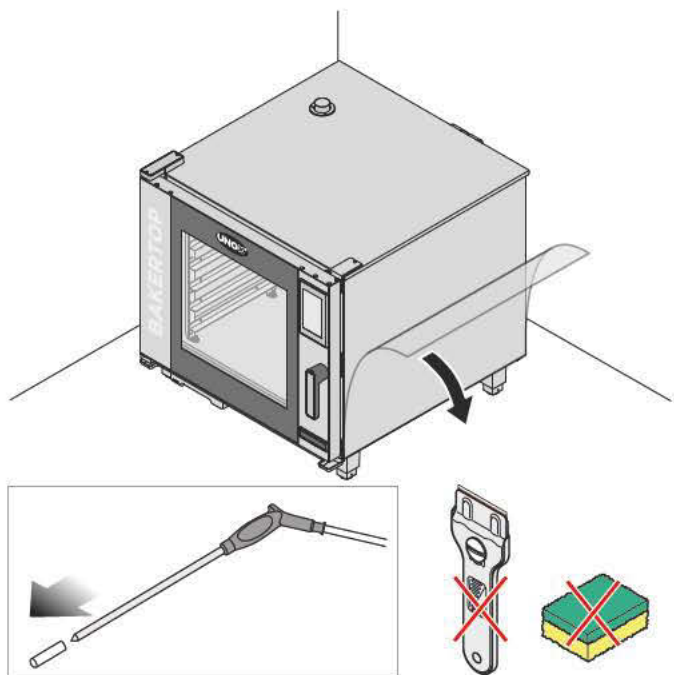
⊕ Pour équiper professionnellement les gammes **CHEFTOP-BAKERTOP MIND.Maps™**, divers instruments auxiliaires sont disponibles : contactez UNOX pour d'autres informations.

3 OPÉRATIONS PRÉLIMINAIRES

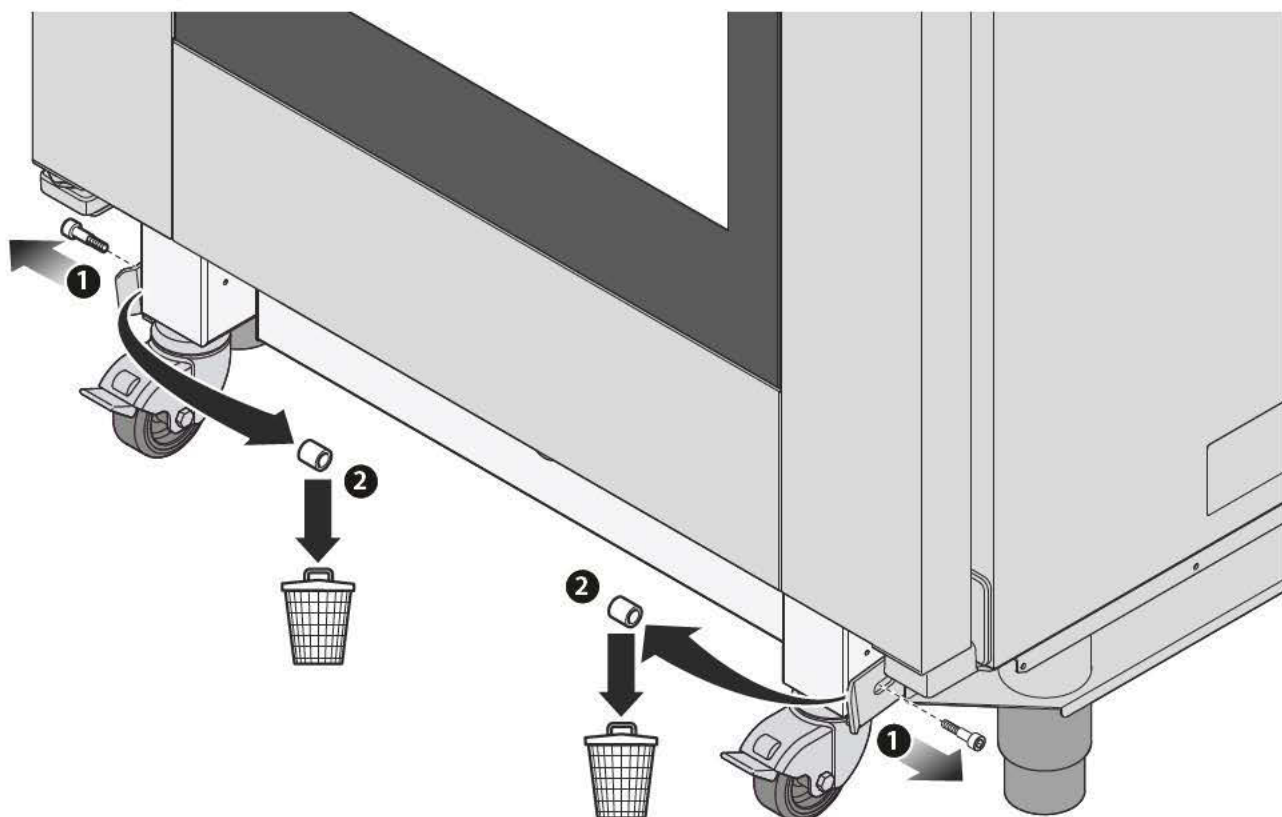
Retrait de la pellicule et embout de protection en silicone

Retirez lentement les pellicules protectrices de l'appareil : nettoyez les éventuels résidus de colle avec un solvant approprié sans utiliser d'outils qui pourraient abîmer les surfaces ou de détergents abrasifs ou acides.

⚠ Considérant leur danger potentiel, les pellicules enlevées, considérant leur danger potentiel, doivent être conservées hors de la portée des enfants ou des animaux, et opportunément éliminées selon les normes locales.



Retrait des cales du chariot (seulement pour des fours sur chariot)



4

POSITIONNEMENT

Caractéristiques du lieu d'installation

- Installez obligatoirement l'appareil dans des lieux :
- destinés et conformes à la cuisson d'aliments industriels ;
 - permettant un renouvellement de l'air adéquat ;
 - qui répondent aux normes en vigueur en termes de sécurité sur le lieu de travail et sur les installations ;
 - protégés des agents atmosphériques ;
 - avec des températures allant de +5° à 35°C maximum ;
 - avec une humidité inférieure à 70%.

Un appareil alimenté au gaz exige en outre, selon la loi, d'être installé dans une pièce :

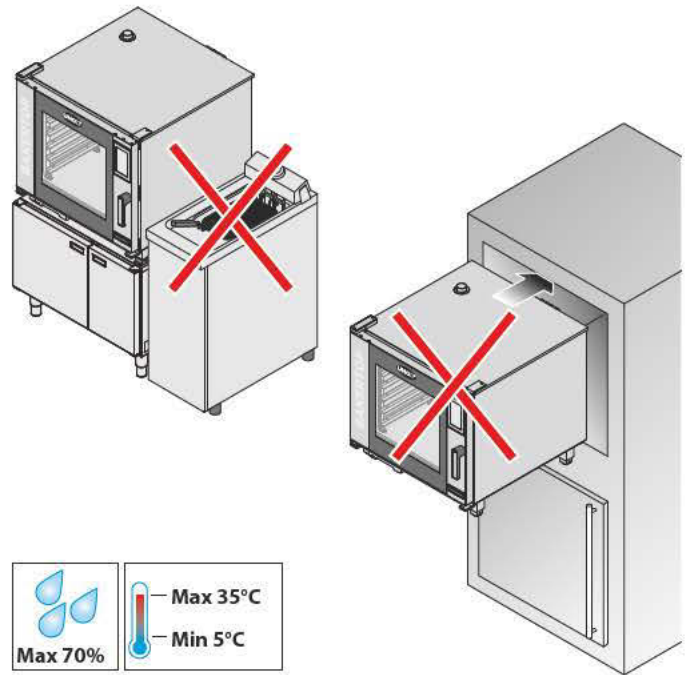
- ayant une superficie et une ventilation adaptées à la puissance du four ;
- prédisposée pour l'évacuation externe des gaz d'échappement.



Pour plus d'informations, consultez le chap. « **Système d'extraction des fumées (seulement pour les fours électriques)** » à la page 35.



Ne pas installer l'appareil à proximité des autres appareils qui atteignent des températures élevées, afin de ne pas endommager les composants électriques. L'appareil n'est pas adapté pour être encastré. Assurez-vous que le sol soit en mesure de soutenir le poids de l'appareil à pleine charge (voir le tableau ci-dessous).






Si vous désirez plus d'informations techniques relatives à l'appareil, consultez la feuille des « Données techniques » ci-jointe à l'appareil.

	Modèle du four	Installation	Dimensions				Chargement max. [kg]			
			Larg. [mm]	Prof. [mm]	Hau- teur [mm]	Poids net [Kg]				
ÉLECTRIQUES	ChefTop™ MIND.Maps COMPACT	XECC-0523-E1xM	ONE	GN 2/3	CounterTop	535	672	649	56	17
		XECC-0513-EPxM	PLUS	GN 1/3	CounterTop	535	872	649	68	25
		XECC-0523-EPxM	PLUS	GN 2/3	CounterTop	535	672	649	58	17
		XECC-1013-EPxM	PLUS	GN 1/3	CounterTop	535	872	984	90	45
	CHEFTOP MIND. Maps™	XEVC-0311-E1xM	ONE	GN 1/1	CounterTop	750	783	538	54	15
		XEVC-0511-E1xM	ONE	GN 1/1	Countertop	750	783	675	66	25
		XEVC-0511-E1xM-LP	ONE	GN 1/1	Countertop	750	783	675	66	25
		XEVC-0711-E1xM	ONE	GN 1/1	Countertop	750	783	843	82	35
		XEVC-1011-E1xM	ONE	GN 1/1	Countertop	750	783	1010	92	45
		XEVC-0311-EPxM	PLUS	GN 1/1	CounterTop	750	783	538	56	15
		XEVC-0511-EPxM	PLUS	GN 1/1	Countertop	750	783	675	70	25
		XEVC-0711-EPxM	PLUS	GN 1/1	Countertop	750	783	843	86	35
		XEVC-1011-EPxM	PLUS	GN 1/1	Countertop	750	783	1010	98	45
		XEVC-0621-EPxM	PLUS	GN 2/1	CounterTop	860	1145	842	120	60
		XEVC-1021-EPxM	PLUS	GN 2/1	Countertop	860	1145	1162	180	90
		XEVC-0511-EZxM	ZERO	GN 1/1	Countertop	750	783	675	64	25
		XEVC-0511-EZxM-LP	ZERO	GN 1/1	Countertop	750	783	675	64	25
		XEVC-0711-EZxM	ZERO	GN 1/1	Countertop	750	783	843	80	35
		XEVC-1011-EZxM	ZERO	GN 1/1	Countertop	750	783	1010	90	45
		GAZ	CHEFTOP MIND. Maps™	XEVL-2011-E1xS	ONE	GN 1/1	Floor	892	1018	1875
XEVL-2011-YPxS	PLUS			GN 1/1	Floor	892	1018	1875	292	90
XEVL-2011-DPxS	PLUS			GN 1/1	Floor	892	1018	1875	339	90
XEVL-2021-YPxS	PLUS			GN 2/1	Floor	892	1257	1875	339	180
XEVL-2021-DPxS	PLUS			GN 2/1	Floor	892	1257	1875	339	180
XEVC-0511-GPxM	PLUS			GN 1/1	CounterTop	750	783	675	83	25
XEVC-0711-GPxM	PLUS			GN 1/1	CounterTop	750	783	843	104	35
GAZ	CHEFTOP MIND. Maps™	XEVC-1011-GPxM	PLUS	GN 1/1	CounterTop	750	783	1010	117	45
		XEVC-0621-GPxM	PLUS	GN 2/1	CounterTop	860	1145	842	120	60
		XEVC-1021-GPxM	PLUS	GN 2/1	CounterTop	860	1145	1162	190	90
		XEVL-2011-GPxS	PLUS	GN 1/1	Floor	892	1018	1875	309	90
		XEVL-2021-GPxS	PLUS	GN 2/1	Floor	892	1257	1875	339	180

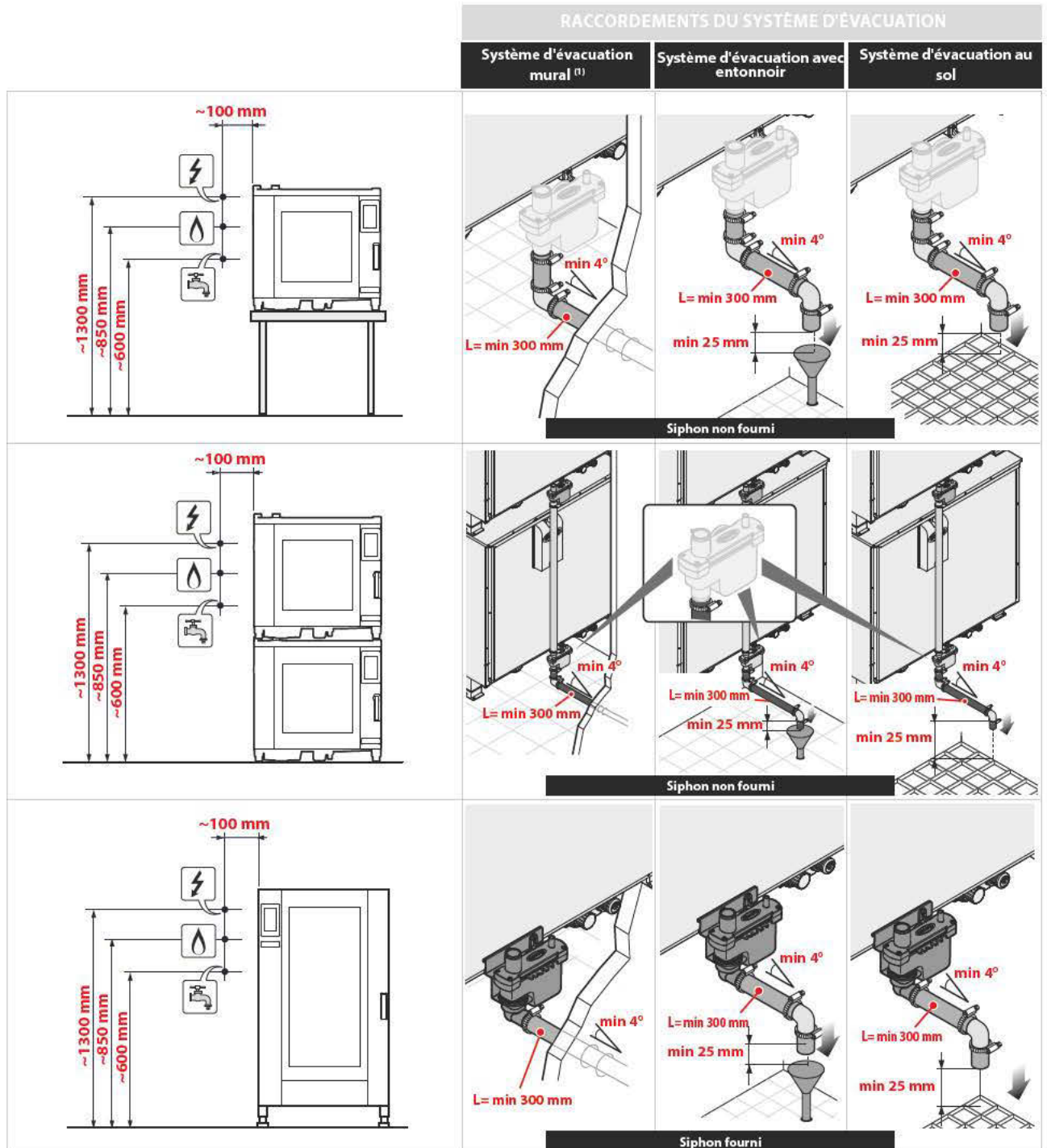
	Modèle du four	Installation	Dimensions				Chargement max. [kg]			
			Larg. [mm]	Prof. [mm]	Hau- teur [mm]	Poids net [Kg]				
ÉLECTRIQUES	BAKERTOP MIND. Maps™	XEBC-04EU-E1xM	ONE	600x400	CounterTop	860	967	675	90	20
		XEBC-06EU-E1xM	ONE	600x400	CounterTop	860	967	843	103	30
		XEBC-10EU-E1xM	ONE	600x400	CounterTop	860	967	1163	136	50
		XEBC-04EU-EPxM	PLUS	600x400	CounterTop	860	967	675	95	20
		XEBC-06EU-EPxM	PLUS	600x400	CounterTop	860	967	843	112	30
		XEBC-10EU-EPxM	PLUS	600x400	CounterTop	860	967	1163	148	50
		XEBL-16EU-E1xS	ONE	600x400	Floor	892	1018	1875	292	85
		XEBL-16EU-YPxS	PLUS	600x400	Floor	892	1018	1875	292	85
		XEBL-16EU-DPxS	PLUS	600x400	Floor	892	1018	1875	292	85
GAZ	BAKERTOP MIND. Maps™	XEBC-06EU-GPxM	PLUS	600x400	CounterTop	860	967	843	126	30
		XEBC-10EU-GPxM	PLUS	600x400	CounterTop	860	967	1163	148	50
		XEBL-16EU-GPxS	PLUS	600x400	Floor	892	1018	1875	309	85

Les lieux d'installation doivent être prédisposés avec des systèmes électriques, hydriques et de gaz (seulement pour les fours à gaz) conformes aux normes relatives aux installations et à la sécurité sur le lieu de travail du Pays d'utilisation.

Sur la figure, sont indiquées des mesures indicatives pour les prédispositions :

-  branchement électrique
-  raccordement hydrique
-  raccordement au gaz (si prévu)

 En cas de cuissons de grandes quantités d'aliments gras, respectez les précautions indiquées dans le parag. « **Caractéristiques du système d'évacuation** » à la page 31.

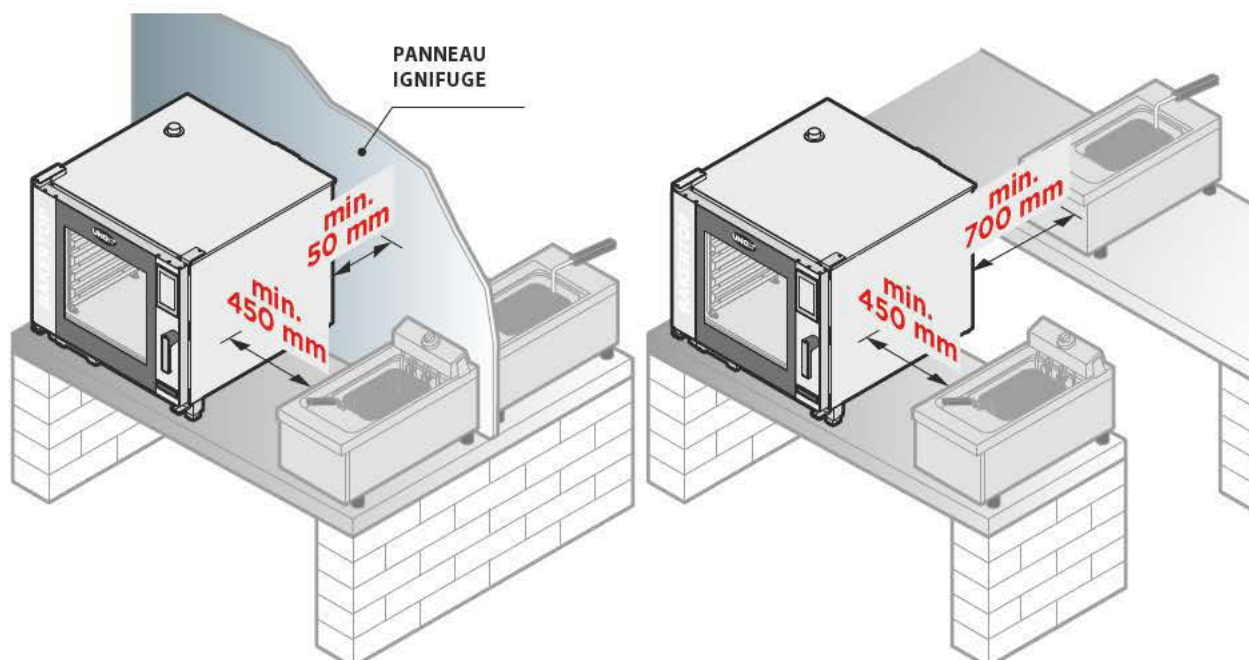
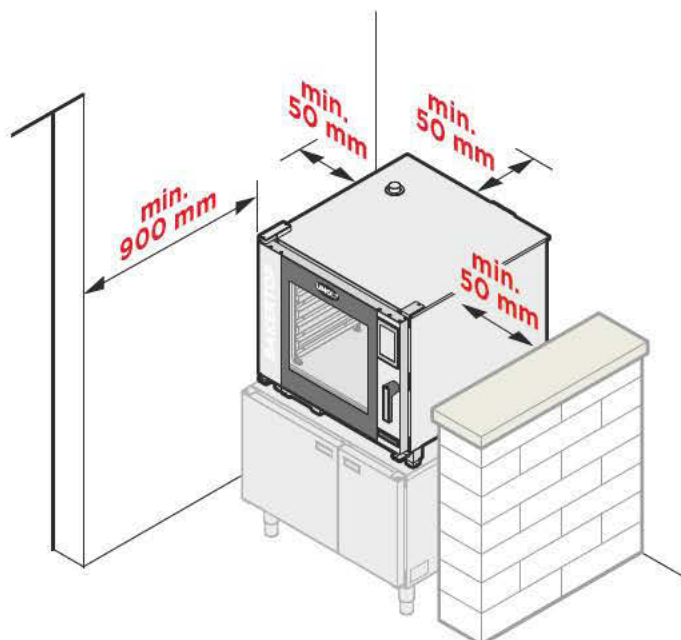


(1): La sortie du système d'évacuation murale doit avoir un entrefer d'au moins 25 mm.

Distances autorisées

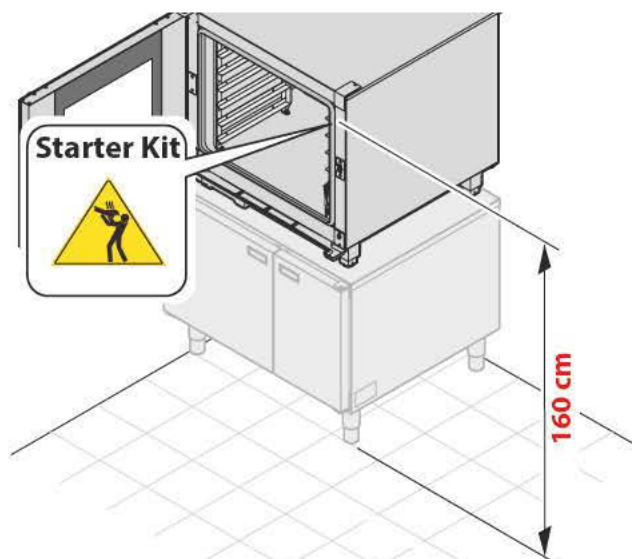
Positionnez l'appareil en respectant les distances indiquées sur les figures, de façon à ce que la paroi arrière soit facilement accessible pour effectuer les branchements et l'entretien.

⚠ Ne pas installer l'appareil à proximité de matériaux, parois ou meubles facilement inflammables ou sensibles à la chaleur. Dans le cas contraire, protégez-les avec des matériaux adéquats non inflammables en respectant les normes de prévention contre les incendies.



⚠ Pour des raisons de sécurité, il est conseillé de NE PAS placer la dernière plaque à une hauteur supérieure à 160 cm.

Si cela est nécessaire, appliquez obligatoirement l'adhésif contenu dans le sachet « Starter Kit » à la hauteur indiquée sur la figure.



5 MODALITÉ DE POSITIONNEMENT FOURS À POSER

Les fours de table peuvent être installés :

- sur roues (avec le kit roues Unox)
- au sol (avec le kit des pieds Unox) ;
- sur des socles personnels ou UNOX ;
- superposés sur les autres appareils UNOX (**MAXI.Link**).

POSITIONNEMENT AU SOL OU SUR ROUES

Le sol supportant l'appareil doit :

- ne pas être inflammable ou sensible à la chaleur ;
- être parfaitement à niveau ;
- avoir une surface régulière et plane
- être en mesure de soutenir le poids de l'appareil à pleine charge sans risque de se déformer ou de s'écrouler.

Positionnement au sol

- Ne pas placer les appareils directement sur le sol mais retirez les pieds en plastique de l'appareil et montez le kit des pieds en acier H. 150 mm UNOX. Pour obtenir des informations plus détaillées sur le montage du Kit des pieds, référez-vous aux instructions contenues dans l'emballage.

Positionnement sur roues

- ! Pour le déplacement, utilisez uniquement le kit des roues UNOX en faisant référence aux instructions contenues dans l'emballage.

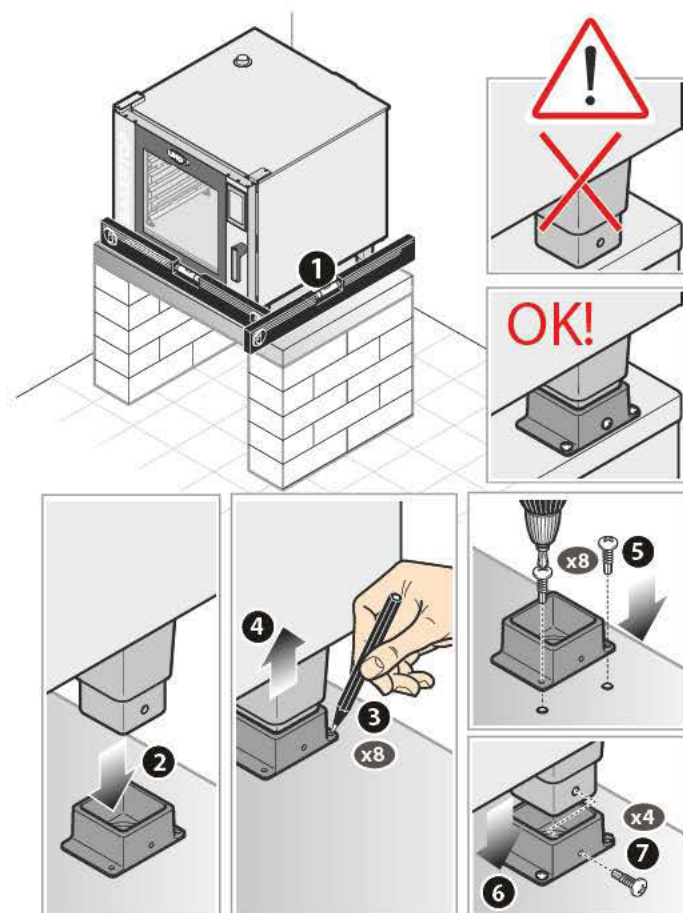
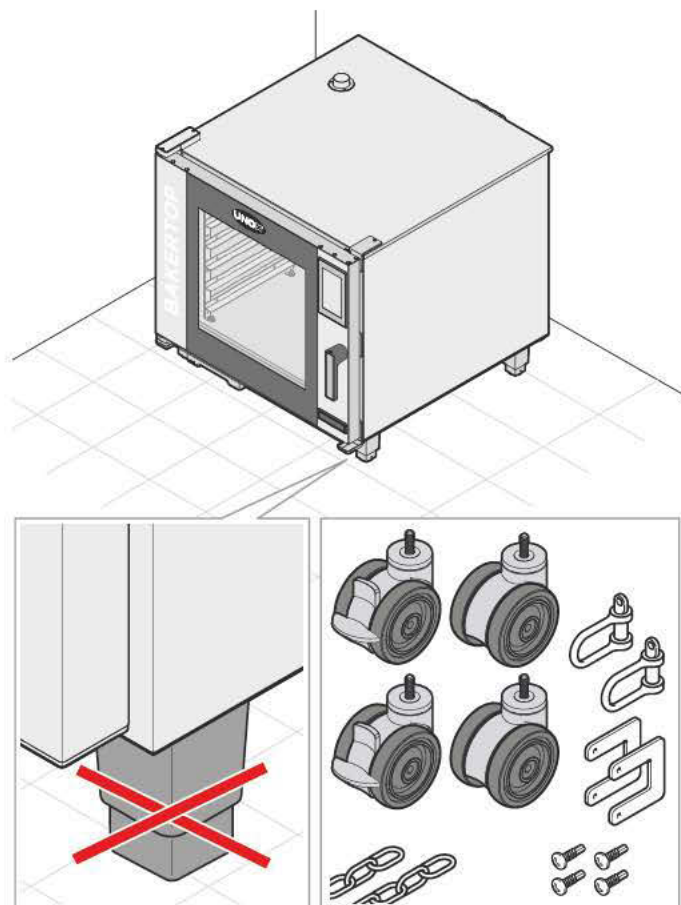
POSITIONNEMENT SUR SOCLES

- ! Avant d'effectuer la fixation sur des socles personnels ou fournis par UNOX, vérifiez toujours leur parfait nivellement à l'aide d'un niveau à bulle ou digital. Si le nivellement n'est pas effectué sur des socles UNOX, il est possible de régler les pieds de ces derniers en faisant attention de ne pas les dévisser complètement.

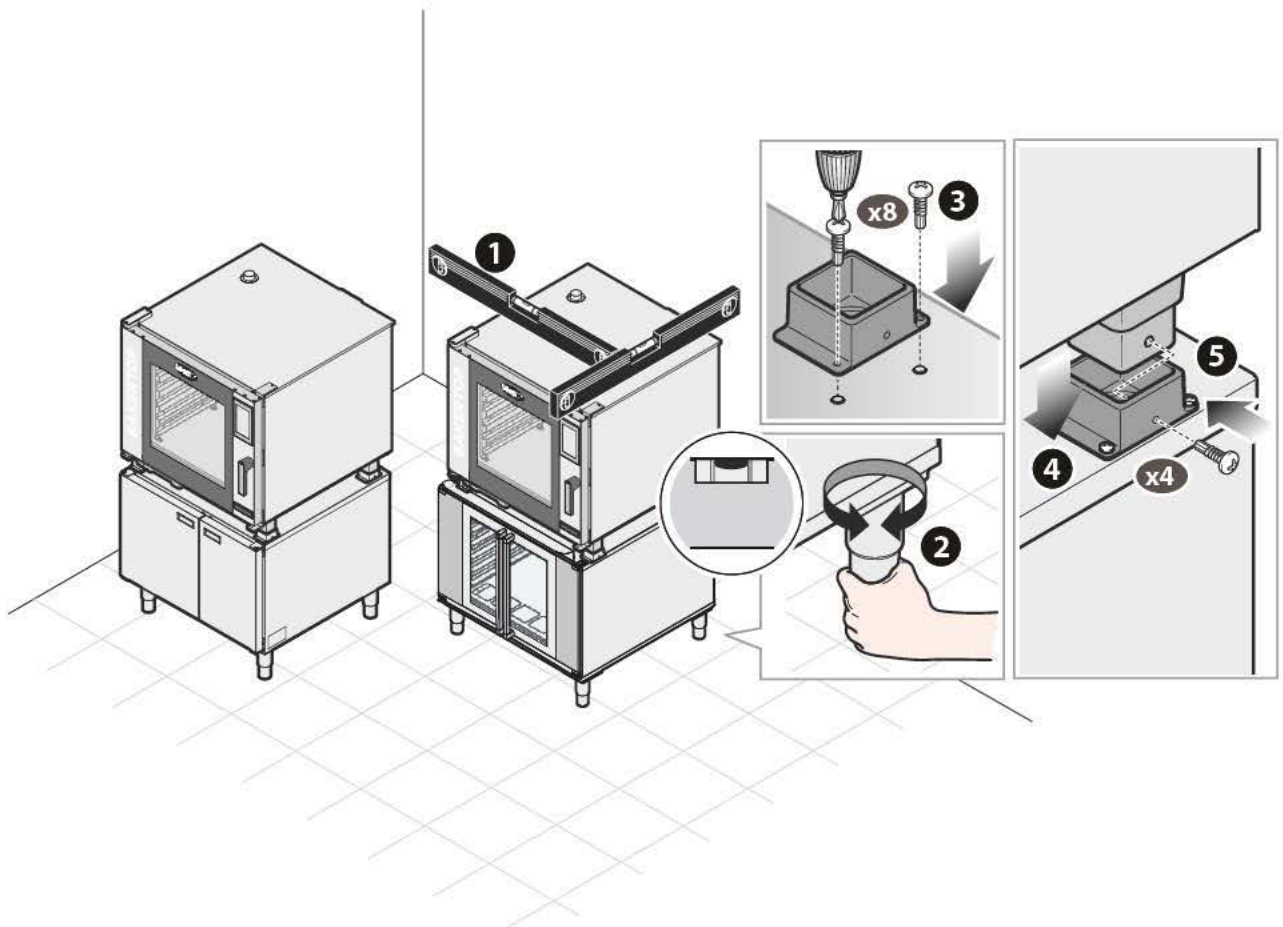
Fixation aux socles prévus par l'utilisateur (par ex., tables acier, etc)

Les socles doivent être :

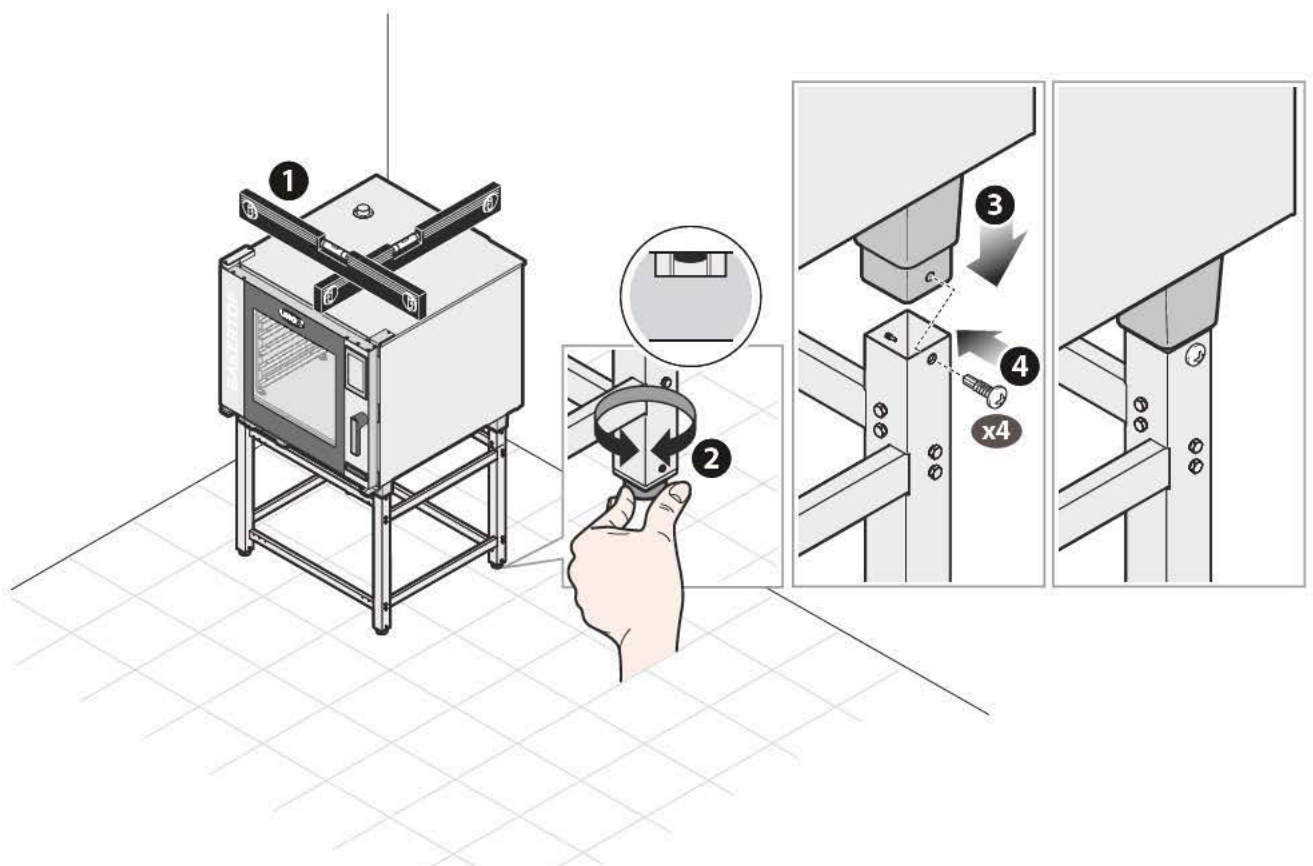
- stables et parfaitement à niveau ;
- non mobiles ;
- non inflammables ou insensibles à la chaleur ;
- en mesure de soutenir le poids de l'appareil à pleine charge sans risque de se déformer ou de s'écrouler.



Fixation sur socles UNOX
(étuves ou placards)



Fixation sur socles UNOX
(socle ouvert haut)



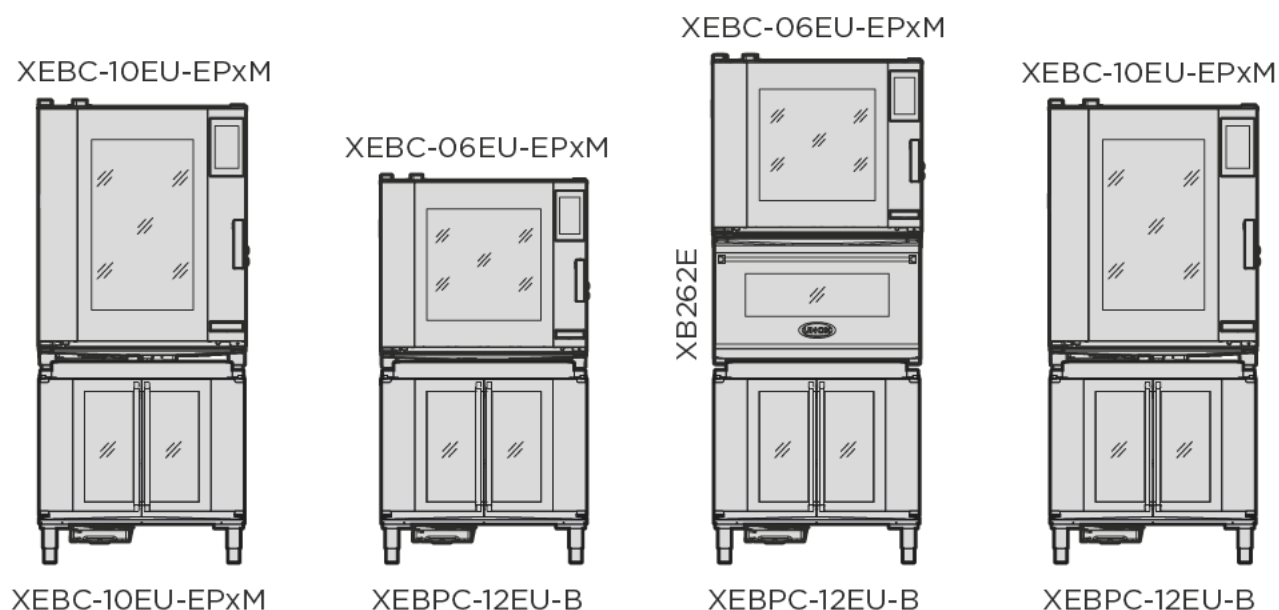
POSITIONNEMENT EN SUPERPOSITION SUR D'AUTRES APPAREILS (MAXI.LINK)

En cas de superposition de plusieurs appareils, il est obligatoire d'utiliser le kit de superposition UNOX. Celui-ci maintient la juste distance entre les appareils et facilite les raccordements électriques, hydriques et d'évacuation.

Pour le montage du kit de superposition, référez-vous aux instructions contenues dans l'emballage même.

- ⚠ Ne jamais positionner un four directement au-dessus d'un autre four ou d'autres sources de chaleur.
- ⚠ Les bidons de produit détergent, si prévus, doivent toujours être installés sous l'étuve ou le four positionné tout en bas !
- ⊕ Le kit de superposition comprend aussi un câble RJ45, un siphon et un raccord en "T" pour le raccordement hydrique de plusieurs appareils avec une unique entrée d'eau.

Quelques exemples de compositions possibles :



6 MODALITÉ DE POSITIONNEMENT FOURS BIG SUR PIEDS AVEC/SANS CHARIOT

Les fours de ce type doivent être positionnés uniquement sur un sol conforme aux qualités requises suivantes :

- ne pas être inflammable ou sensible à la chaleur ;
- être parfaitement à niveau ;
- avoir une surface régulière et plane ;
- être en mesure de soutenir le poids de l'appareil à pleine charge sans risque de se déformer ou de s'écrouler.

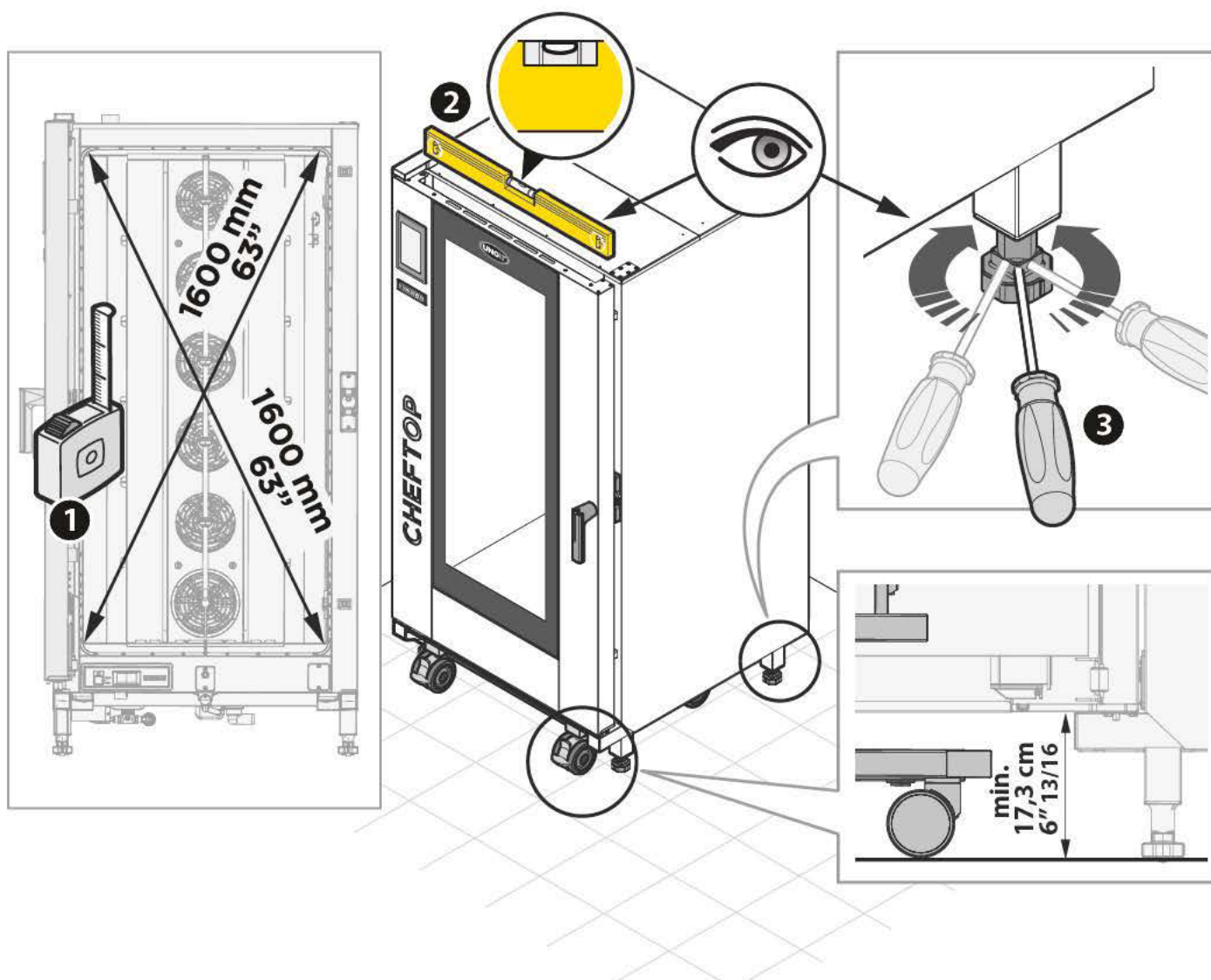
Nivellement de l'appareil

1 Vérifiez que la longueur des diagonales de la chambre du four soit identique ; si ce n'est pas le cas, cela signifie que l'appareil n'est pas parfaitement à niveau -> 2 nivelez l'appareil en réglant la hauteur des 4 pieds de la façon suivante :

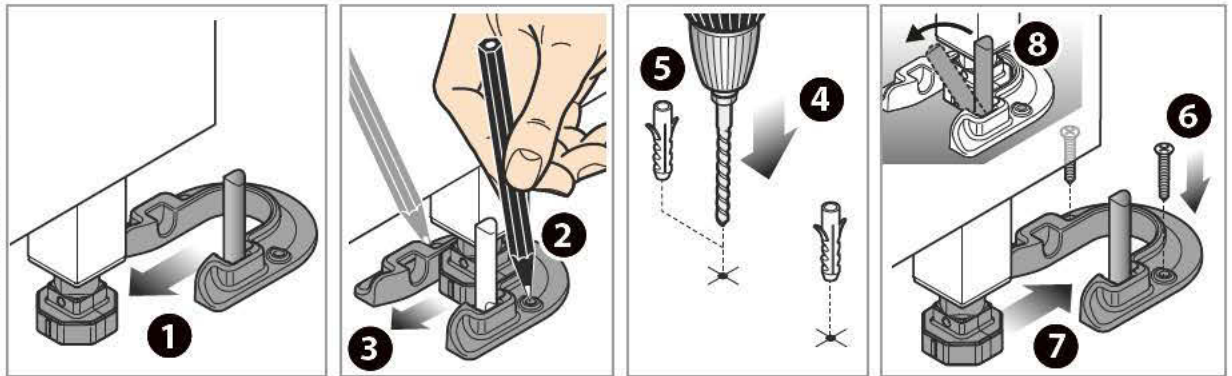
- les pieds antérieurs doivent être réglés pour aligner le devant de l'appareil entre le côté droit et le côté gauche ;
- les pieds postérieurs doivent être réglés pour atténuer toute inclinaison excessive.

Pour pouvoir insérer facilement le chariot, la hauteur minimum depuis le sol ne doit pas être inférieure à 17,3 cm. Après le nivellement, vérifiez que le chariot entre facilement dans la chambre du four sans rencontrer d'obstacles (comme par exemple, les aspérités du sol) et sans rayer la surface inférieure de la chambre de cuisson. Si cela s'avère nécessaire, réglez à nouveau la hauteur des pieds.

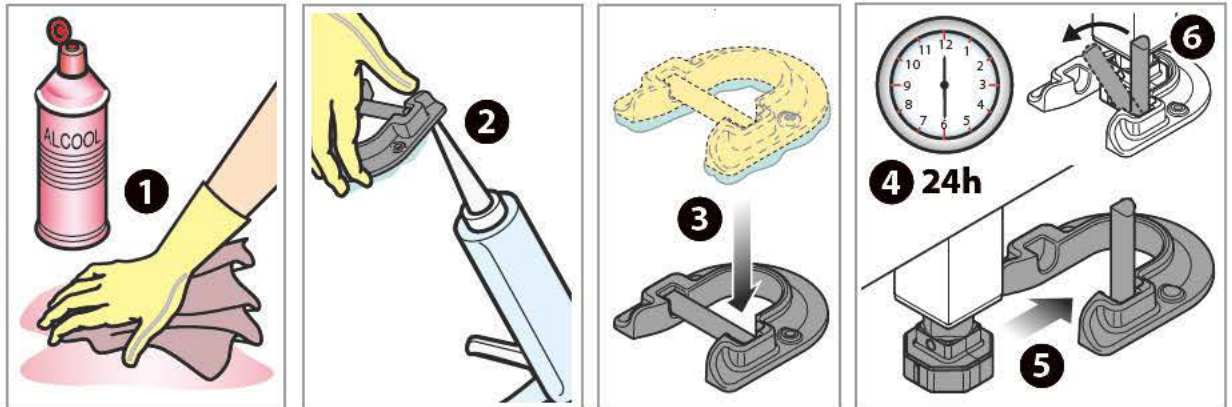
! Terminez en fixant obligatoirement les 2 supports postérieurs au sol pour éviter que l'appareil ne bascule (voir la figure à la page suivante).



SOLUTION - A



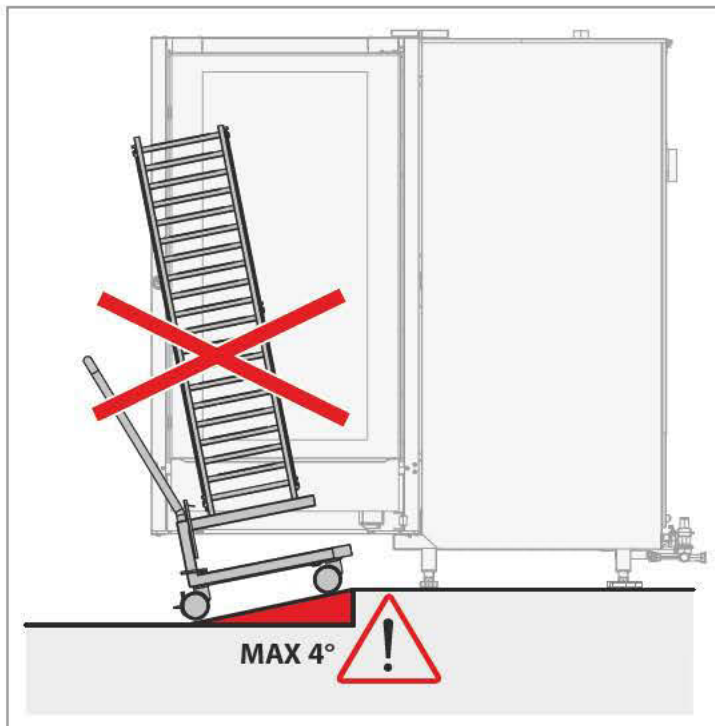
SOLUTION - B



SEULEMENT POUR LES FOURS SUR PIEDS AVEC CHARIOT

Si le sol n'est pas parfaitement plat, pour faciliter l'insertion du chariot, il est possible d'utiliser une rampe d'entrée avec une inclinaison maximale de 4°. L'inclinaison maximale du sol autorisée est de 2°.

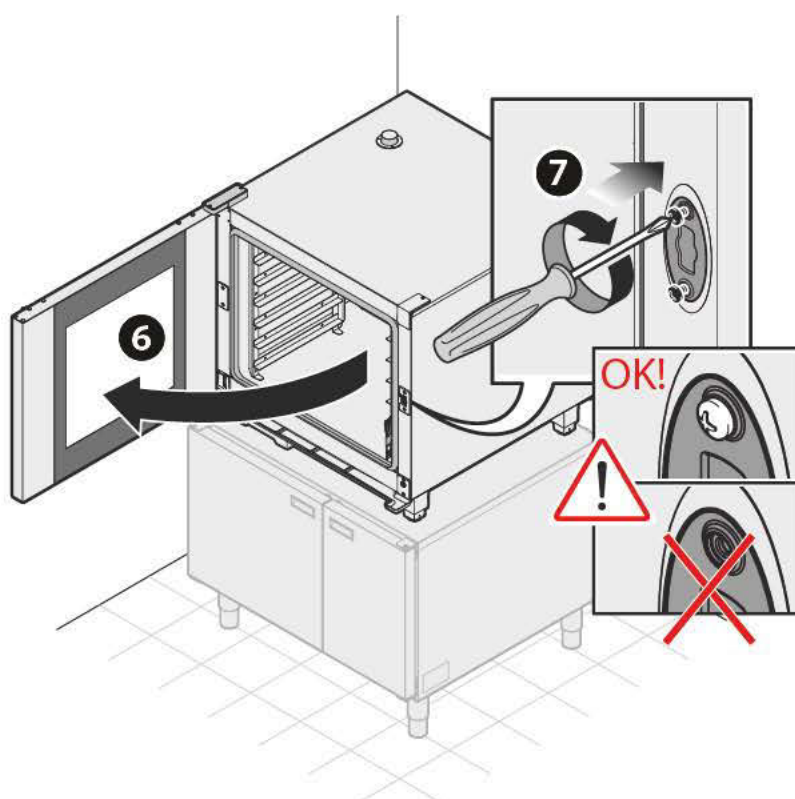
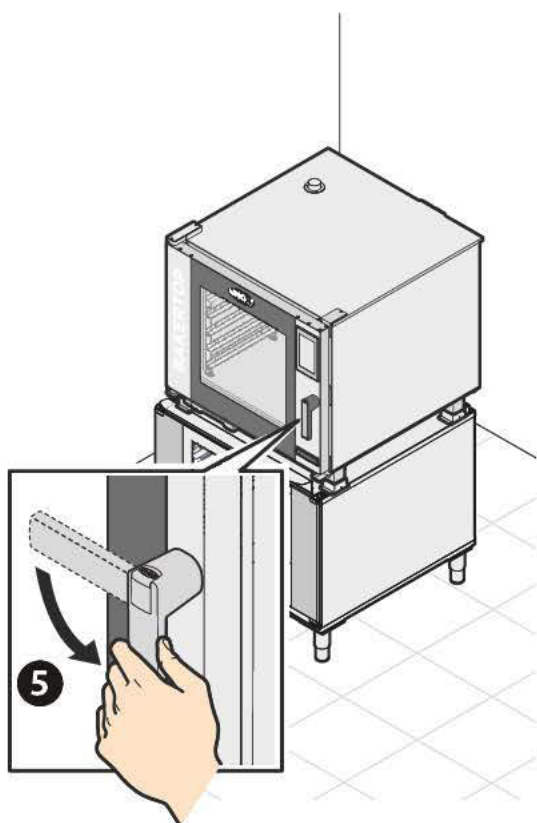
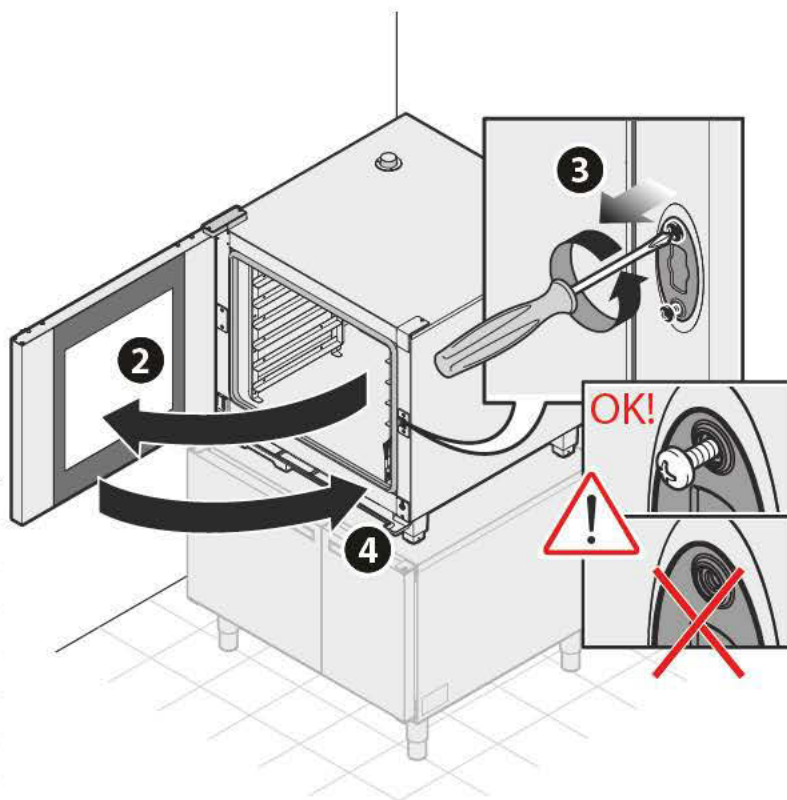
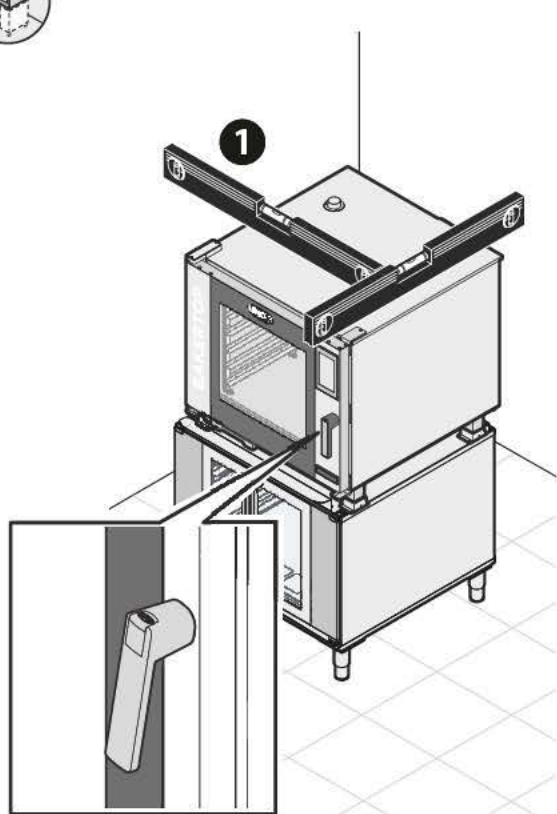
❗ Au delà de ces angles, en phase d'insertion/extraction du chariot, les liquides chauds à l'intérieur des plaques de cuisson peuvent se renverser et causer des brûlures.




RÉGLAGE FERMETURE DE LA PORTE


Si après avoir positionné le four, la poignée de la porte ne ferme pas correctement en position verticale, procédez ainsi :


- ① vérifiez le parfait nivellement de l'appareil avec un niveau à bulle ou digital ;
- ② - ⑦ si l'appareil est à niveau, adaptez le loquet de fermeture comme sur les images suivantes. Si le problème persiste, répétez la séquence en desserrant davantage les vis de fixation du loquet.




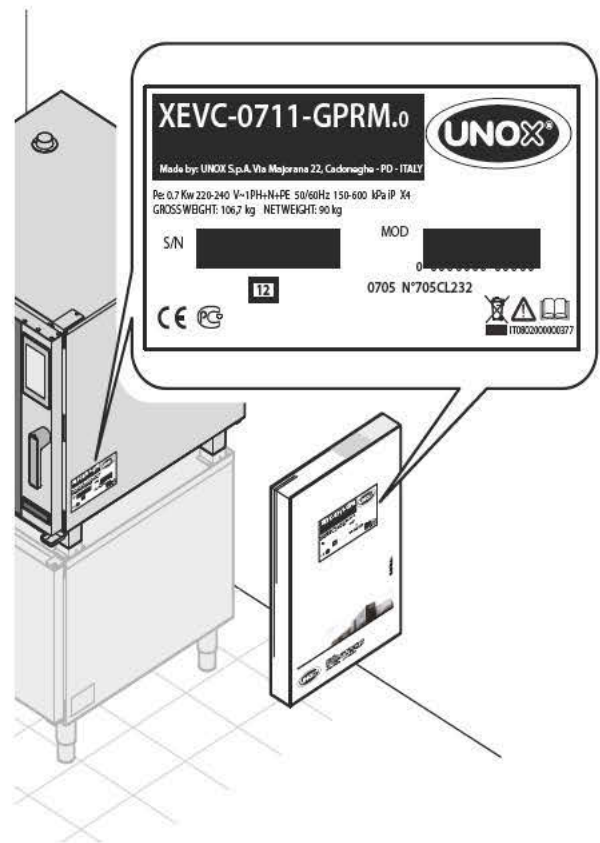
7 BRANCHEMENT ÉLECTRIQUE

 Avant d'installer l'appareil, lisez attentivement le chapitre « Normes de sécurité pour l'installation et l'entretien » à la page 5.

 Le branchement au réseau d'alimentation électrique et les installations de raccordement doivent répondre aux normes en vigueur dans le Pays d'installation de l'appareil et doivent être effectués par du personnel qualifié et autorisé UNOX. Le non-respect de ces normes peut provoquer des dommages et des lésions, entraîner l'annulation de la garantie et dégage UNOX de toute responsabilité.

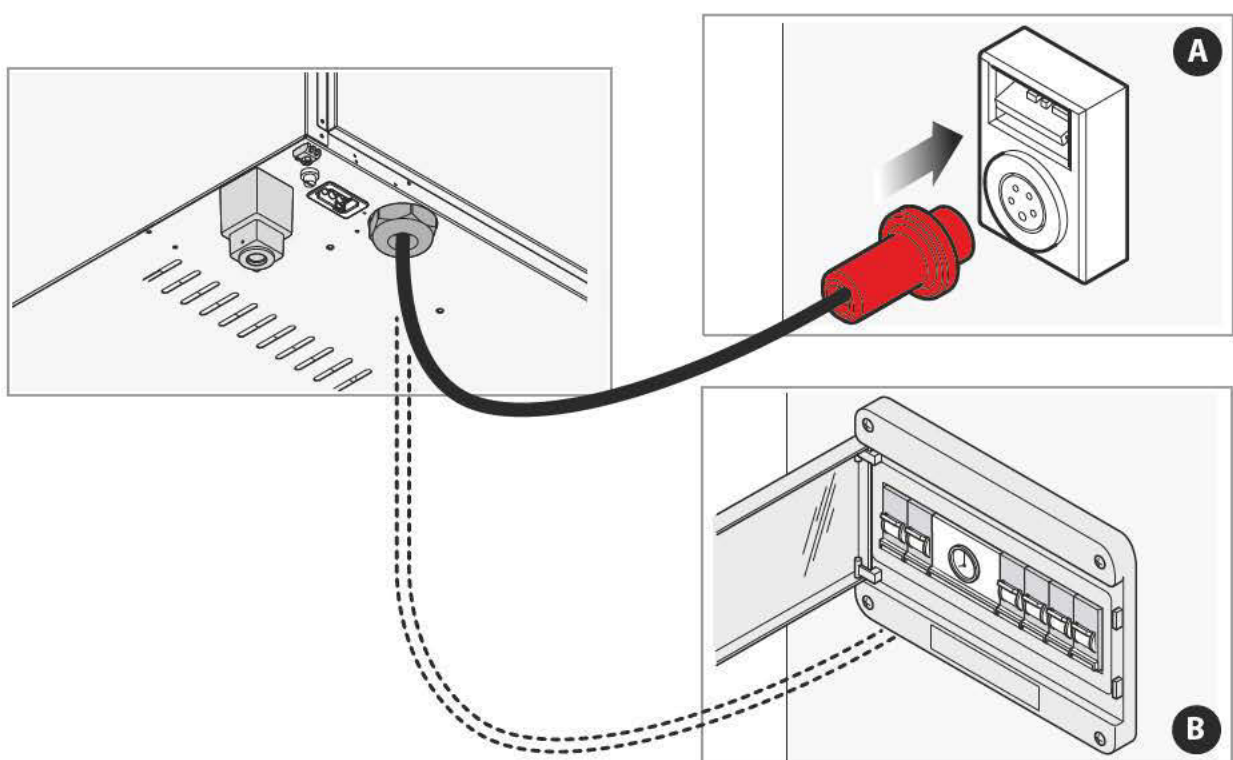
 Avant de brancher l'appareil au réseau d'alimentation, comparez toujours les données de l'installation avec celles de l'appareil indiquées sur la plaque d'identification.

 Afin d'éviter tout danger dû au réarmement involontaire du dispositif thermique d'interruption, cet appareil ne doit pas être alimenté par un dispositif de commutation externe, tel qu'une minuterie ou bien être raccordé à un circuit régulièrement alimenté ou déconnecté par le service.



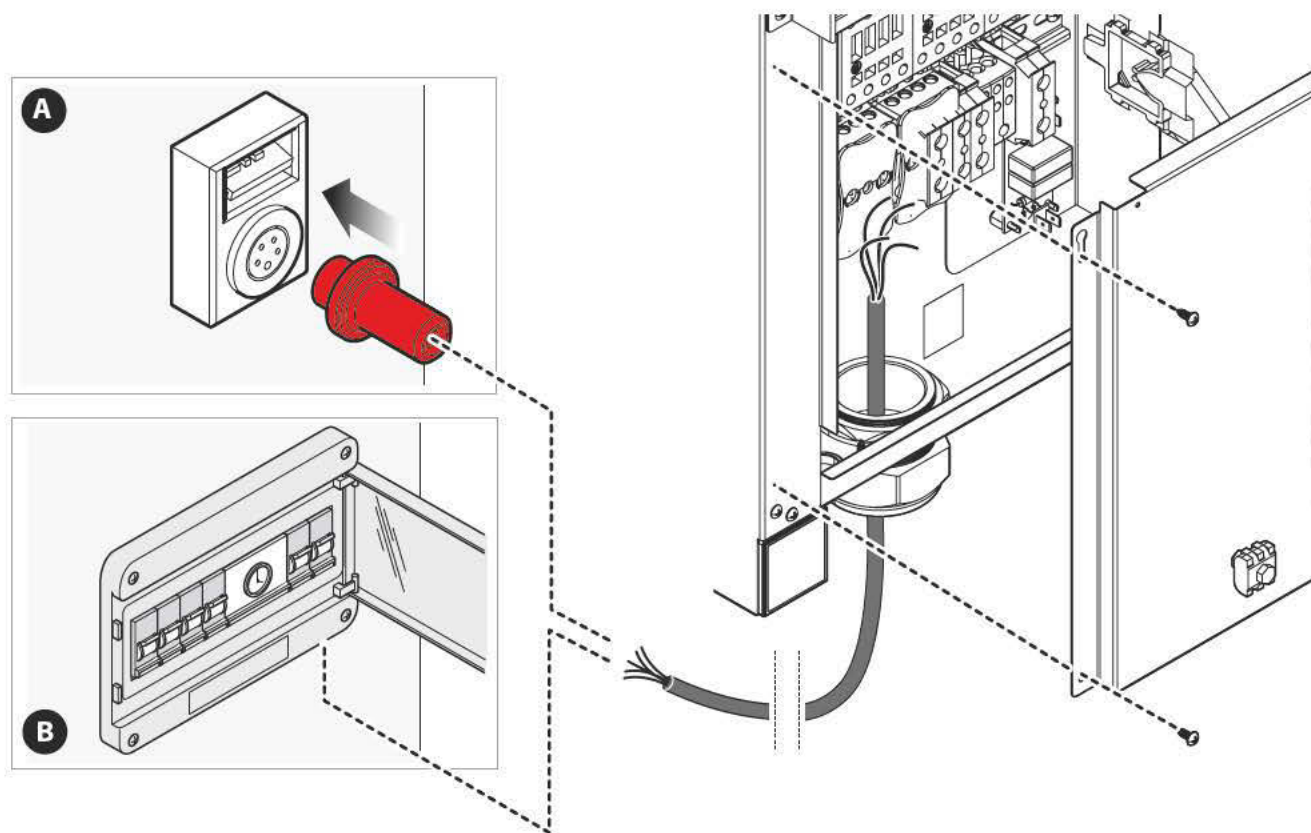
Les fours à poser quittent l'usine avec le câble d'alimentation déjà monté sur le bornier : il est interdit d'effectuer tout autre type de branchement électrique et toute modification dimensionnelle du câble, à l'exception de son rallongement, en le remplaçant par un autre câble ayant les mêmes caractéristiques que l'original assemblé (type de caoutchouc, section, etc.) : toutes les données sont inscrites sur la feuille « Données techniques » ci-jointe à l'appareil.

Le branchement électrique doit être de préférence réalisé avec le montage d'une fiche électrique (non fournie) de type et de débit adéquats au courant maximum absorbé par les phases du four **A** (contrôlez la valeur sur la feuille des « Données techniques » ci-jointe). Si cela n'est pas possible, le câblage fourni par UNOX est suffisant pour effectuer un branchement direct au tableau électrique **B**.



Les fours BIG sur pieds quittent l'usine sans le câble d'alimentation : l'installateur doit donc retirer le panneau arrière de l'appareil et raccorder au bornier un câble ayant les mêmes caractéristiques que celles indiquées sur la feuille « Données techniques » jointe à l'appareil.

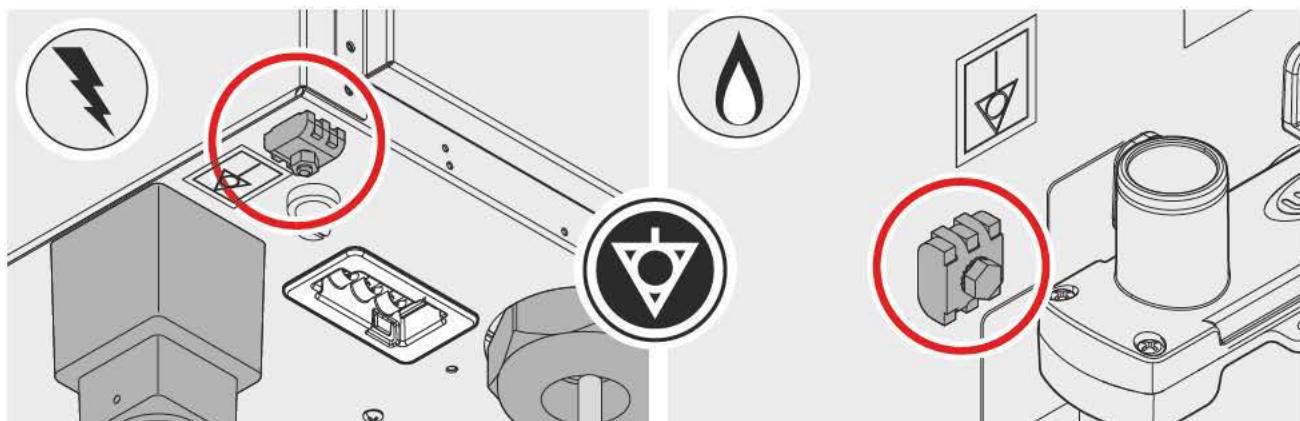
Montez successivement une fiche électrique (non fournie) de type et de débit adéquats au courant maximum absorbé par les phases du four **A** (contrôlez la valeur sur la feuille des « Données techniques »). Si cela n'est pas possible, effectuez un branchement à un tableau électrique **B**.



FR

Pour un branchement électrique correct, les fours à poser et les fours sur pieds doivent :

- être inclus dans un **système équipotentiel** selon les prescriptions de la réglementation en vigueur. Ce branchement doit être effectué entre divers appareils avec la borne indiquée par le symbole équipotentiel (⚡). Le conducteur devra avoir une section maximum de 10 mm² (selon la norme CEI EN 60335-2-42:2003-09) et être de couleur jaune vert.
- être obligatoirement raccordés à la **ligne de terre** (⊕) du réseau (câble de couleur jaune vert).
- être obligatoirement raccordé à un **disjoncteur différentiel** selon les prescriptions de la réglementation en vigueur (0,03A Type A).
- être obligatoirement raccordé à un **mécanisme d'interruption omnipolaire** qui permet une déconnexion complète dans les conditions de la catégorie de surtension III.



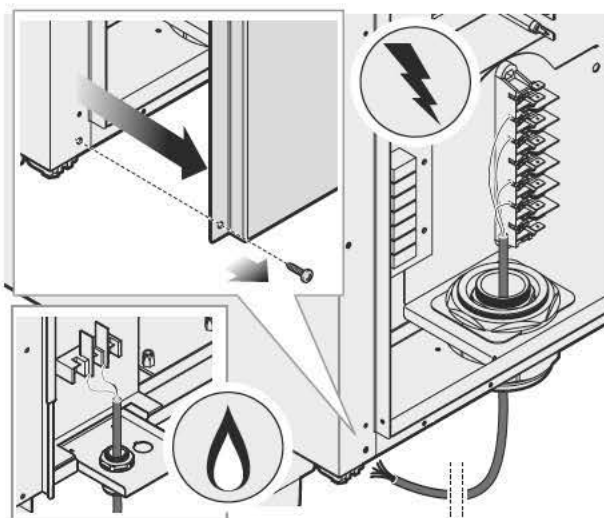
Vérifications nécessaires

- Le pont de cuivre et le câble électrique doivent être fixés ensemble sous la vis dans le sens du vissage et les connexions électriques doivent être bien serrées avant de brancher l'appareil au courant électrique.
- Vérifiez l'absence de dispersion électrique entre les phases et la terre et la continuité électrique entre la carcasse externe et le fil de terre du secteur.
- Une fois que l'appareil est en marche, vérifiez que la tension d'alimentation corresponde toujours à la valeur de la tension nominale indiquée sur la plaque des données de l'appareil. Dans le cas contraire, câblez les phases en respectant les données de la feuille « Données techniques » ci-jointe.

Adaptation à des tensions différentes

Pour des exigences de tension et d'alimentation diverses des valeurs standard, il est nécessaire de remplacer le câble d'alimentation présent et branchez le nouveau câble au bornier en suivant les schémas indiqués sur la feuille « Données techniques » (Power supply - Connection Diagram) ci-jointe à l'appareil.

Remplacement du câble d'alimentation

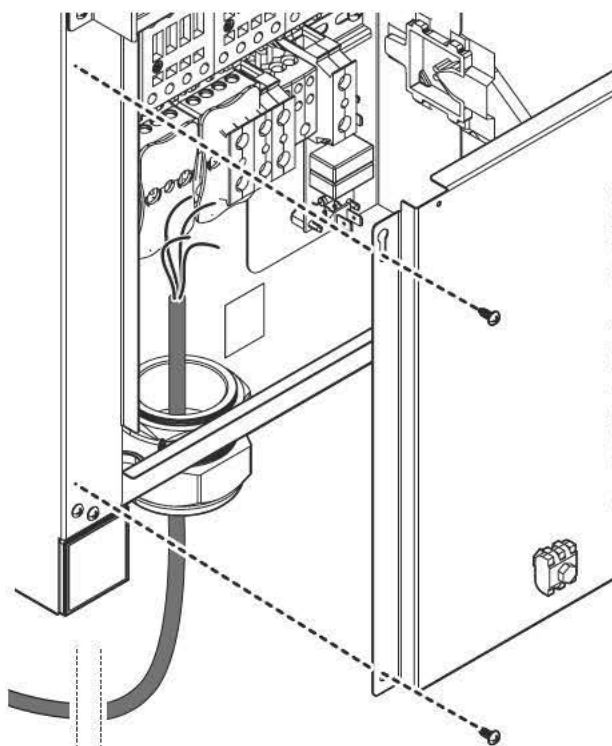


⚠ Le câble doit être remplacé par UNOX ou par son service d'assistance technique, ou dans tous les cas par une personne de qualification similaire, de façon à prévenir tout risque.

S'il est nécessaire de remplacer le câble d'alimentation, procédez ainsi :

- retirez le panneau arrière du four et retirez le câble présent en le débranchant du bornier ;
- consultez la feuille des « Données techniques » (Power supply-Connection Diagram) : sur la feuille figurent tous les câblages possibles et les caractéristiques que doit posséder le nouveau câble en fonction du raccordement choisi (Câble Type) ;
- fixez le nouveau câble au moyen du serre-câble approprié ;
- fermez le panneau arrière du four.

fours à poser



fours BIG sur pieds



0,5 mm

8 RACCORDEMENT DU GAZ (SEULEMENT POUR DES FOURS À GAZ)



Avant d'installer l'appareil, lisez attentivement le chapitre « Normes de sécurité pour l'installation et l'entretien » à la page 5.



Le branchement au réseau d'alimentation du gaz et les installations de raccordement doivent répondre aux normes en vigueur dans le Pays d'installation de l'appareil et doivent être effectués par du personnel qualifié et autorisé UNOX. Le non-respect de ces normes peut provoquer des dommages et des lésions, entraîner l'annulation de la garantie et dégage UNOX de toute responsabilité.

Raccordement au réseau de distribution du gaz

L'appareil est configuré, prédisposé et contrôlé en usine pour le fonctionnement avec :

- gaz méthane (G20)
- pression nominale du réseau d'alimentation (à l'entrée de la soupape à gaz) de 5-35mbar
- pression maximale d'entrée réseau 40 mbar (4 kPa).
- perte de pression maximale à l'allumage = 5 mbar.

Avant d'effectuer le raccordement, vérifiez que le gaz disponible et la pression soient conformes aux indications susmentionnées : ces données sont aussi indiquées sur la plaque « DATA PLATE GAS » appliquée sur le côté du four.

Le raccord femelle prévu pour le raccordement au réseau de distribution du gaz se trouve dans la partie inférieure du four : le raccordement doit être effectué au moyen d'un tuyau flexible et en interposant un robinet d'arrêt en amont de l'appareil (non fourni).

Assurez-vous que le tuyaux à gaz ne passe pas à proximité des zones chaudes ou qu'il ne soit pas soumis à des tractions, torsions ou écrasements.

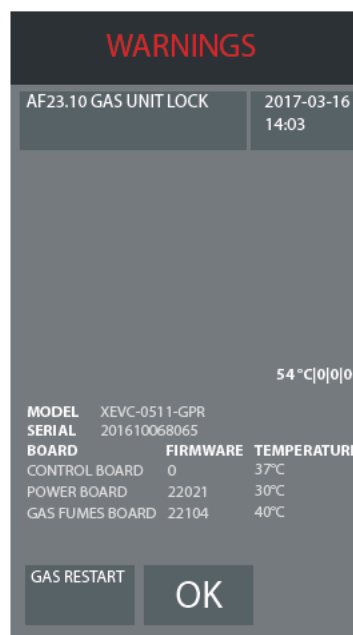
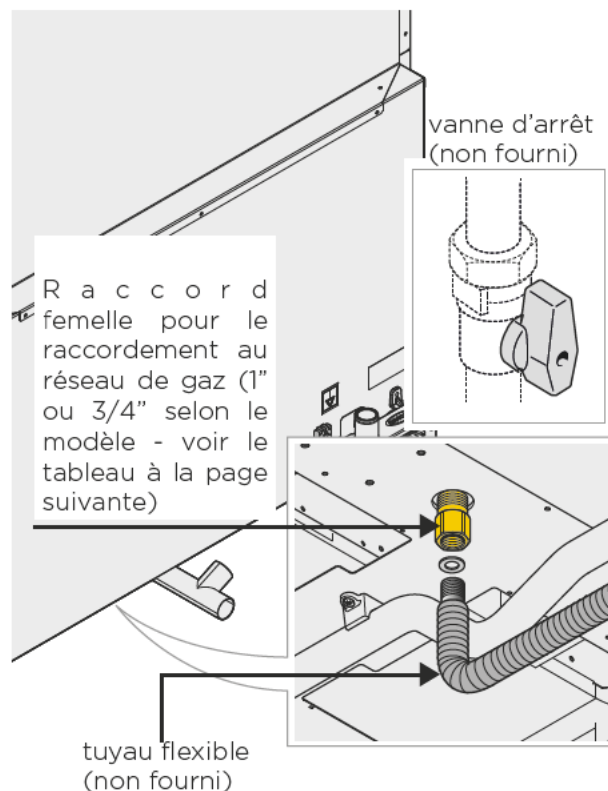
L'installation du gaz et tous les composants de raccordement utilisés doivent être homologués et conformes aux normes en vigueur dans le Pays d'installation.

Les composants scellés à la peinture rouge ne doivent pas être manipulés !

Le réarmement du four après une erreur GAZ survient uniquement en maintenant appuyé la touche « REARM » de l'afficheur et en appuyant successivement sur OK.

L'appareil peut être utilisé en hauteur sans aucun réglage particulier.

Le tuyau d'alimentation du gaz (rigide ou flexible) doit respecter les normes nationales en vigueur, doit être examiné périodiquement et remplacé si nécessaire.



BAKERTOP MIND.Maps™ PLUS

Code du four	Connexion filet femelle	P max [kW]						
		G110	G20	G25	G25.1	G25.3	G30	G31
XEBC-06EU-GPxM	3/4"	16	19	19	19	19	19	19
XEBC-10EU-GPxM	3/4"	20	25	24	23	21	25	25
XEBL-16EU-GPxS	3/4"	39	48	48	48	48	48	48

CHEFTOP MIND.Maps™ PLUS

Code du four	Connexion filet femelle	P max [kW]						
		G110	G20	G25	G25.1	G25.3	G30	G31
XEVC-0511-GPxM	3/4"	13	15	15	15	15	15	15
XEVC-0711-GPxM	3/4"	16	19	19	19	19	19	19
XEVC-1011-GPxM	3/4"	17	22	22	22	22	22	22
XEVL-2011-GPxS	3/4"	39	48	48	48	48	48	48
XEVC-0621-GPxM	3/4"	16	24	23	22	22	24	24
XEVC-1021-GPxM	3/4"	23	35	31,5	31,5	31,5	35	35
XEVL-2021-GPxS	1"	-	90	86	86	86	90	90

9 RACCORDEMENT HYDRIQUE

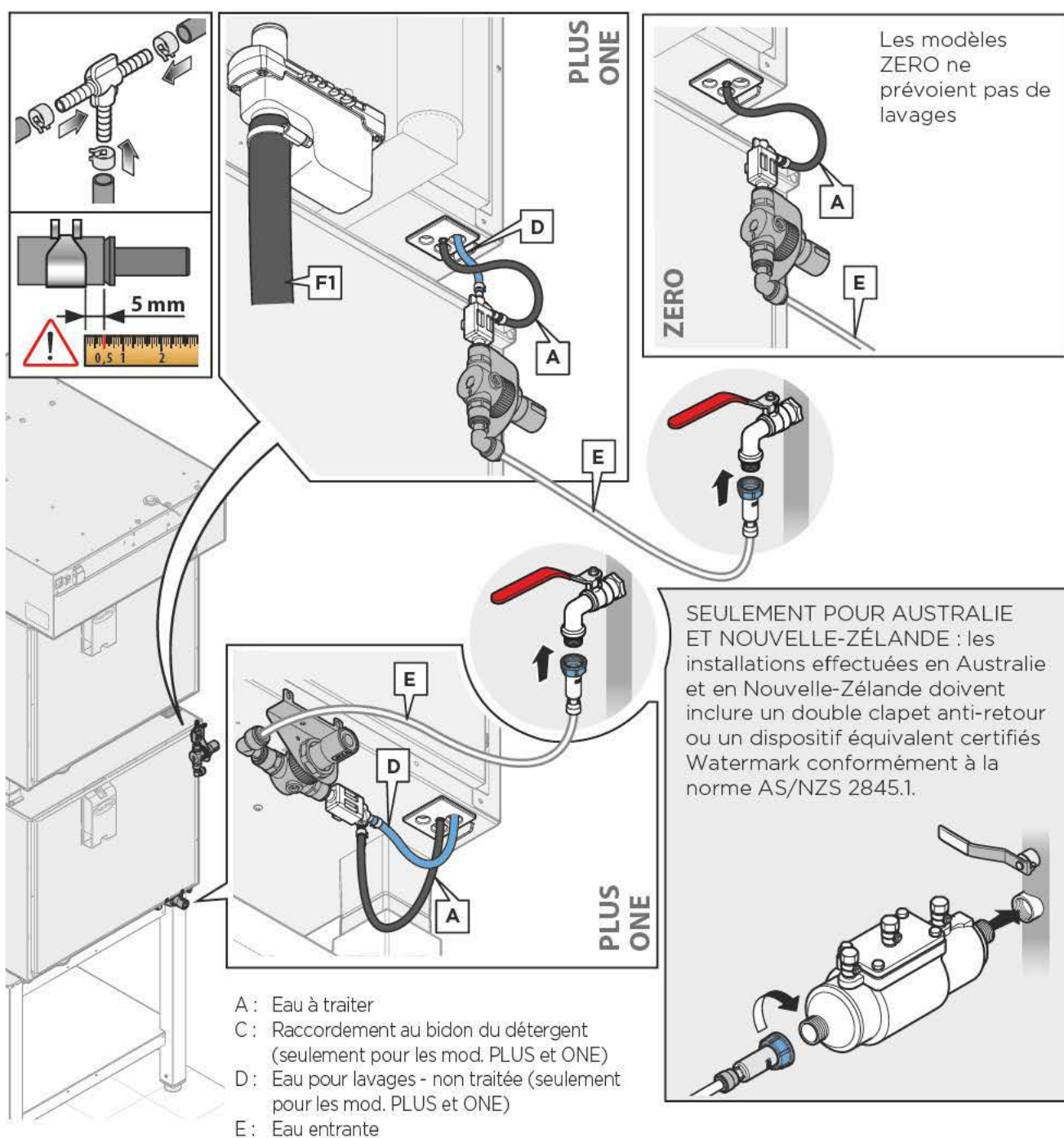
Raccordement hydrique : eau entrante

L'appareil, dans la partie supérieure, est fourni de :

- 1,5 mètres de tuyau, filtre mécanique, réducteur de pression et raccord (3/4") avec clapet de non-retour pour le raccordement au réseau hydrique. Avant de raccorder le conduit de l'eau à l'appareil, faites couler de l'eau pour éliminer les éventuels résidus. Il est conseillé d'interposer un robinet d'arrêt entre le réseau hydrique et l'appareil ;
- deux raccords pour un éventuel raccordement d'accessoires pour le traitement de l'eau (**UNOX.Pure** ou **UNOX.Pure-RO**). Pour le raccordement, consulter les instructions contenues dans l'emballage de l'accessoire. Ne pas utiliser les adoucisseurs avec résines et échange d'ions.
- un tube plongeur du produit détergent pour le lavage de la chambre du four (si prévu) ;

+ Pour faciliter le raccordement hydrique en cas d'installations multiples sur colonne (**MAXI.Link**), utilisez le raccord en «T» inclus dans le Kit de superposition UNOX.

! Utilisez le set de raccords neufs fournis avec l'appareil pour le raccordement au réseau hydrique. Les raccords déjà utilisés ne doivent pas être réutilisés.



CARACTÉRISTIQUES DE L'EAU ENTRANTE

⚠ Tout dommage causé par l'utilisation d'eau avec des paramètres non conformes à ce qui est indiqué dans le chapitre suivant ne sera pas couvert par la garantie.

L'eau entrante doit :

- avoir une température maximum de 30 °C ;
- être potable ;
- avoir une valeur de pression comprise entre 150 et 600 kPa (valeur conseillée 200 kPa).

⊕ Si la pression de l'eau entrante est inférieure à la valeur indiquée (150kPa), utilisez une pompe au débit adéquat (débit minimum 300 l/h). Les fours **CHEFTOP-BAKERTOP MIND.Maps™** ont un réducteur de pression intégré standard.

Caractéristiques de l'eau pour le circuit STEAM (vapeur à l'intérieur de la chambre)

Chlore libre ≤ 0,1 ppm

Chloramines ≤ 0,1 ppm (mg/L)

TDS ≤ 125 ppm

Silice ≤ 12 ppm

pH 7 ÷ 8,5

Dureté totale (TH) ≤ 8 °d

Chlorures* ≤ 25 ppm

Alcalinité ≤ 150 ppm as CaCO₃

* Le contenu maximum de chlorures, Cl-, n'est pas une valeur fixe mais dépend de la valeur calculée de NHM (Non Hardness Measurement)

NHM = EC - (TH x 30)**

EC = conductivité électrique [μS/cm]

TH = dureté totale** [° dH - degrés allemands]

NHM ≤ 250 μS/cm	TH < 8 °dH, Cl- ≤ 25 ppm (5 gouttes de réactif*)	Aucun traitement de l'eau
	TH ≥ 8 °dH, Cl- ≤ 25 ppm (5 gouttes de réactif*)	UNOX.Pure
	Cl- > 25 ppm (5 gouttes de réactif*)	UNOX.Pure-RO
NHM = 250 - 350 μS/cm	Cl- ≤ 20 ppm (4 gouttes de réactif*)	UNOX.Pure
	Cl- > 20 ppm (4 gouttes de réactif*)	UNOX.Pure-RO
= 350 - 450 μS/cm	Cl- ≤ 15 ppm (3 gouttes de réactif*)	UNOX.Pure
	Cl- > 15 ppm (3 gouttes de réactif*)	UNOX.Pure-RO
NHM = 450 - 500 μS/cm	Cl- ≤ 10 ppm (2 gouttes de réactif*)	UNOX.Pure
	Cl- > 10 ppm (2 gouttes de réactif*)	UNOX.Pure-RO
NHM ≥ 500 μS/cm		UNOX.Pure-RO

* utiliser le réactif du Kit UNOX KSTR1081A ** dureté mesurée avec le kit UNOX KSTR1082A

Si les valeurs de l'eau pour la génération d'humidité s'éloignent de celles indiquées, il est nécessaire d'utiliser des filtres (**UNOX.Pure** ou **UNOX.Pure-RO**)

Au cas où il serait nécessaire d'installer UNOX.Pure-RO, respectez le tableau suivant :

	1 osmose	2 osmose en parallèle	
1 moteur	√		
2 moteurs	< 15 dH < 450 μS/cm	> 15 dH	> 450 μS/cm
3 moteurs	< 10 dH < 300 μS/cm	> 10 dH	> 300 μS/cm

* dH = dureté totale H₂O

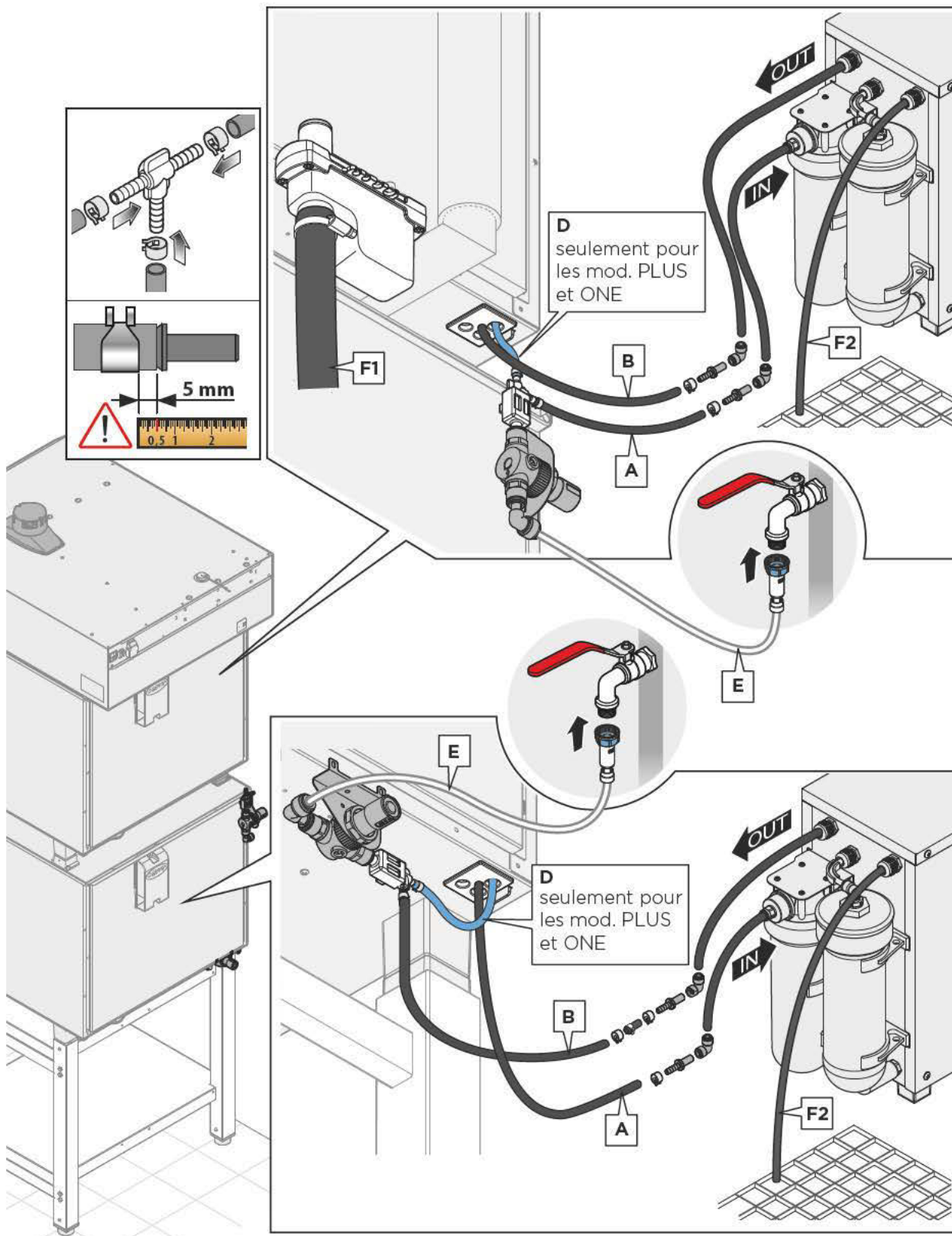
μS/cm = conductivité H₂O

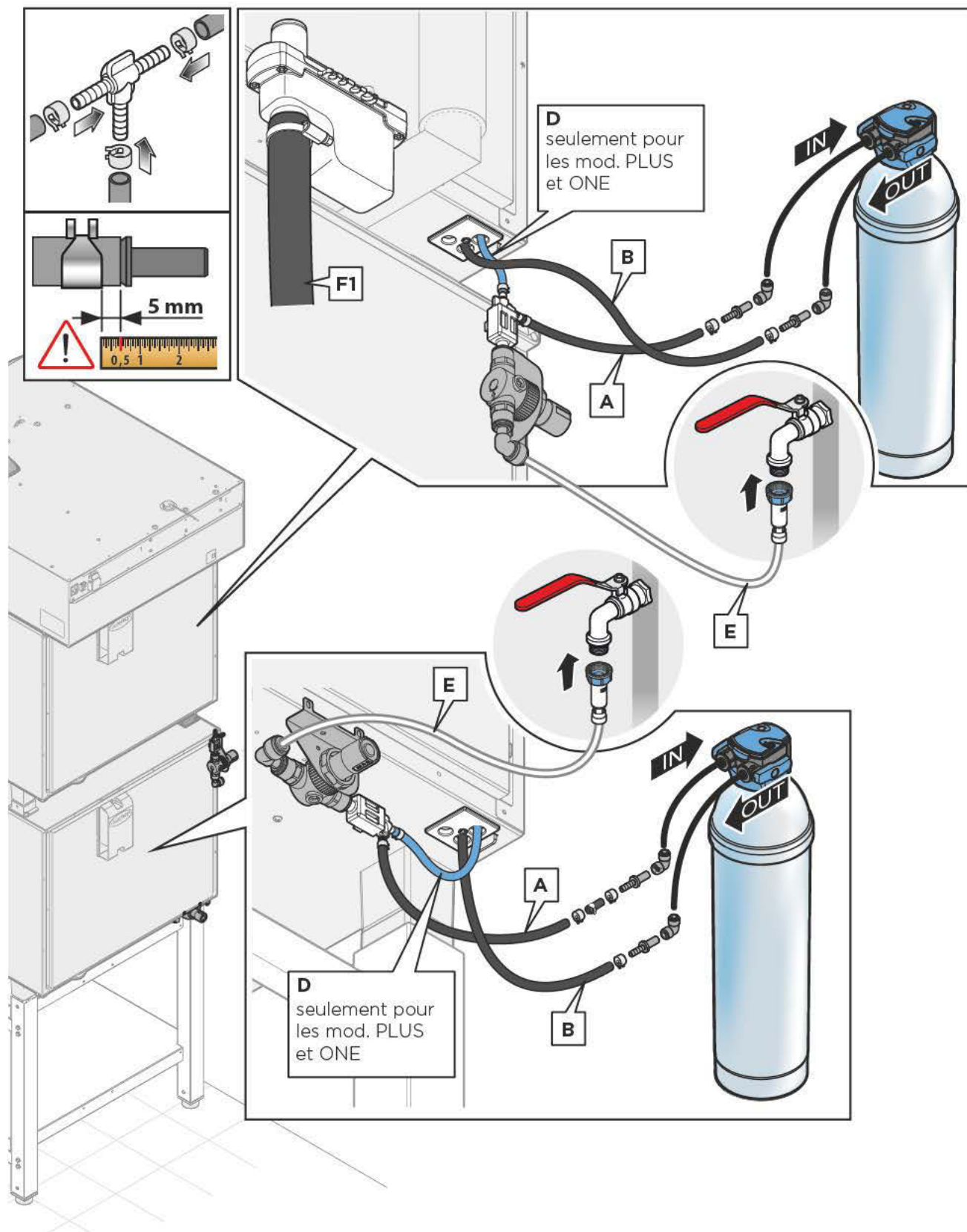
* Pour une dureté totale de l'eau supérieure à 25 dH, un traitement à résines échangeuses d'ions en amont de l'osmose est nécessaire. N'utilisez pas de résine échangeuse d'ions Na⁺ si la conductivité de l'eau est supérieure à 450 μS/cm, cela pourrait causer la corrosion du verre.

Caractéristiques de l'eau pour le circuit LAVAGE (seulement pour les mod. PLUS et ONE)

Chlore libre $\leq 0,1$ ppm
Chloramines $\leq 0,1$ ppm
TDS ≤ 125 ppm
Silice ≤ 12 ppm
pH 7+ 8,5
Dureté totale (TH) $\leq 15^{\circ}$ d
Chlorures ≤ 35 ppm
Alcalinité ≤ 200 ppm as CaCO_3

Si les valeurs de l'eau pour le circuit LAVAGE s'éloignent de celles indiquées, il est nécessaire de traiter l'eau en entrée de manière adéquate sur tout le système.





- A : Eau à traiter
- B : Eau pour vapeur chambre - traitée
- C : Raccordement au bidon du détergent (seulement pour les mod. PLUS et ONE)
- D : Eau pour lavages - non traitée (seulement pour les mod. PLUS et ONE)
- E : Eau entrante
- F1 : Évacuation de l'appareil
- F2 : Évacuation UNOX.Pure-RO

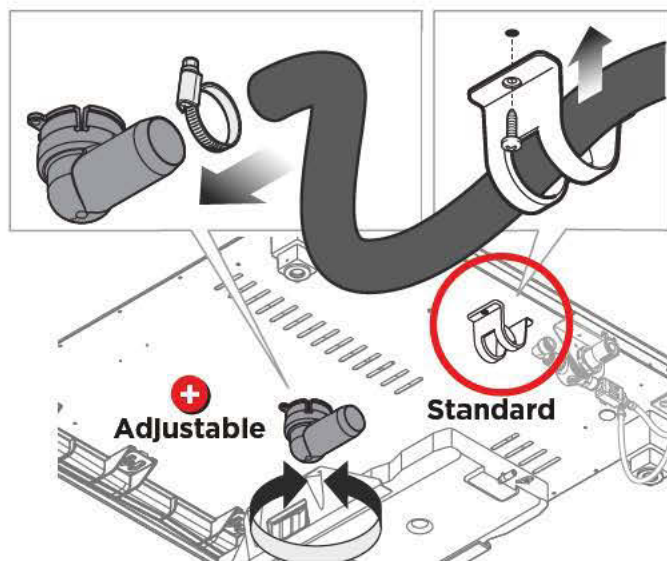
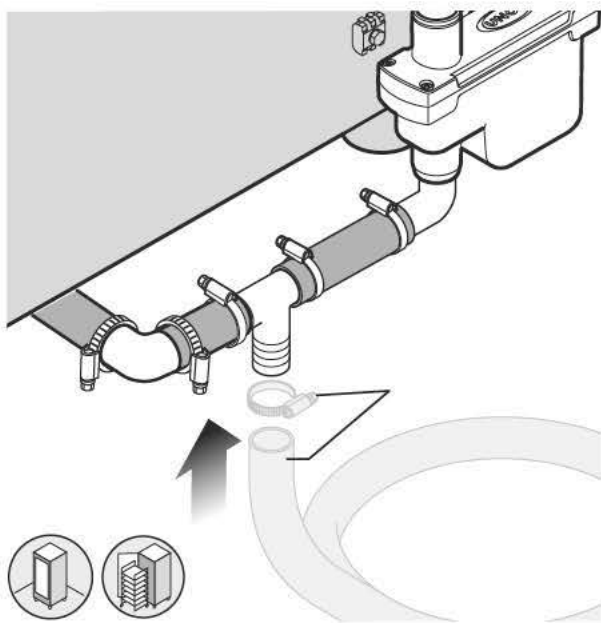
RACCORDEMENT HYDRIQUE : EAU SORTANTE

Le système d'évacuation se trouve :

- dans la partie inférieure des fours de table
- dans la partie arrière des fours sur pieds avec/sans chariot.


Reliez le coude/le siphon à un tuyau rigide ou flexible et raccordez-le à un système d'évacuation pour eaux grises.


-  UNOX conseille l'utilisation de ses tuyaux rigides et flexibles.
-  **L'eau sortant de l'évacuation du four peut atteindre des températures élevées (90 °C). Les tuyaux utilisés pour l'évacuation de l'eau doivent être en mesure de supporter de telles températures et ne pas être métalliques.**
-  S'il est nécessaire de baisser la température des eaux usées, UNOX conseille l'utilisation de son propre Kit de refroidissement du système d'évacuation.

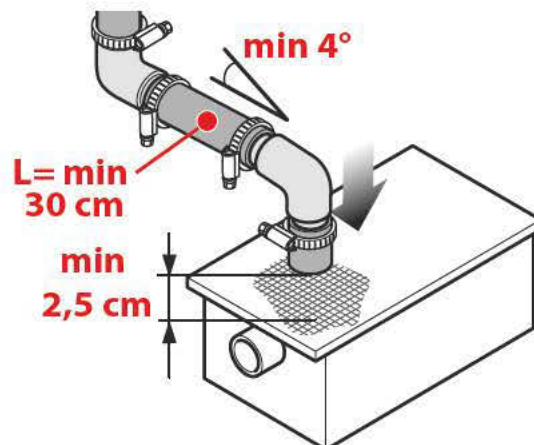
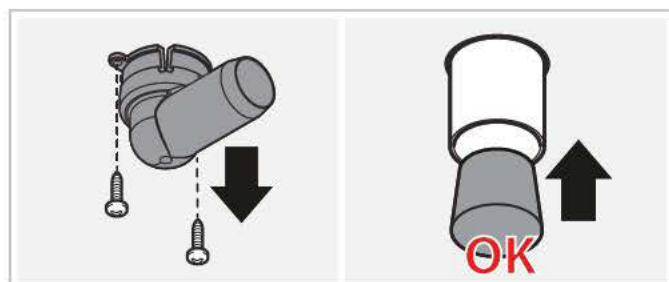


Si le four **BAKERTOP MIND.Maps™** ne peut être raccordé de façon permanente à un système d'évacuation, l'embout doit être scellé avec le bouchon conique fourni à l'intérieur du « Starter Kit ».

Retirez le raccord coudé en dévissant les vis qui le fixent et insérez la goupille conique dans l'embout d'évacuation.

 Avec le système d'évacuation bouché N'utilisez absolument PAS les programmes de lavage ou NE lavez PAS la chambre avec de grandes quantités d'eau à cause du danger d'inondation.

 En cas de cuissons de grandes quantités d'aliments gras, retirez le siphon et ajoutez un séparateur de graisses ou déchargez directement dans une grille. Dans les ceux cas, maintenez l'entrefer indiqué.



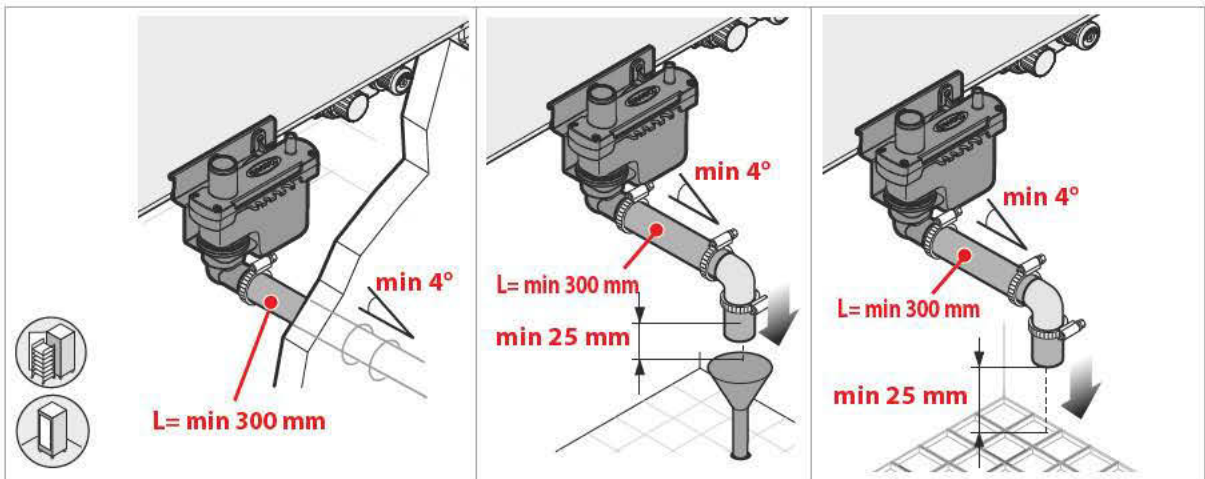
Caractéristiques du système d'évacuation

Le système d'évacuation doit :

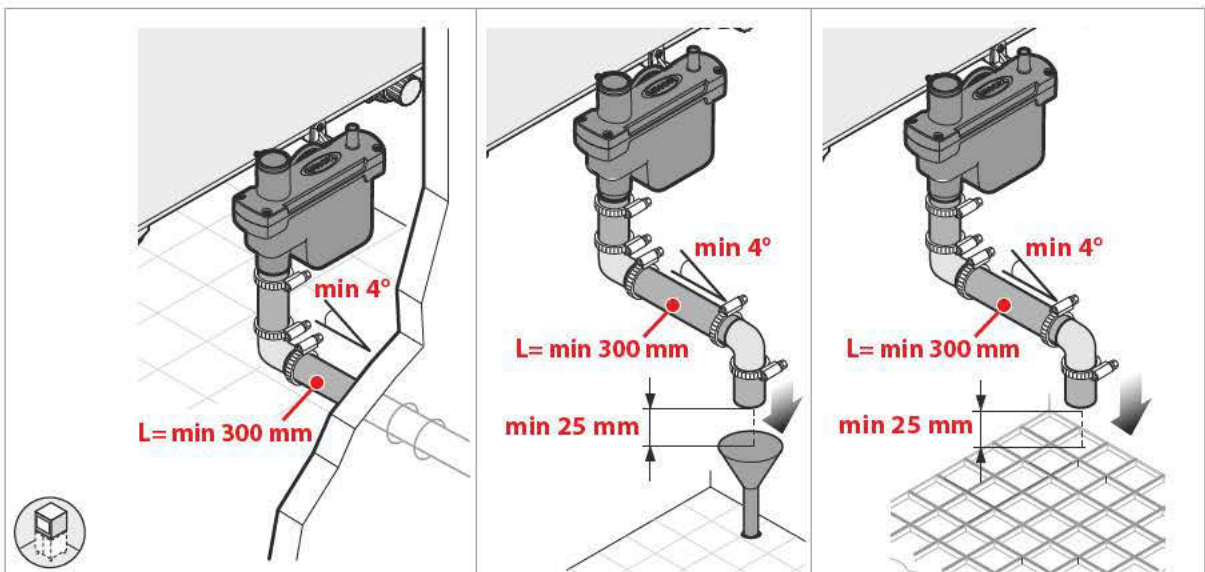
- être équipé d'un siphon ;
- avoir au moins un mètre de longueur ;
- avoir une pente minimum de 4% ;
- avoir un diamètre NON inférieur à celui du raccord du système d'évacuation ;
- être sans étranglement ;
- spécifique pour chaque appareil ; dans le cas contraire, assurez-vous que le conduit principal soit dimensionné de façon à garantir un débit régulier et sans obstacle ;

(1): La sortie du système d'évacuation murale doit avoir un entrefer d'au moins 25 mm.

FOURS SUR PIEDS
AVEC/SANS CHARIOT (1)

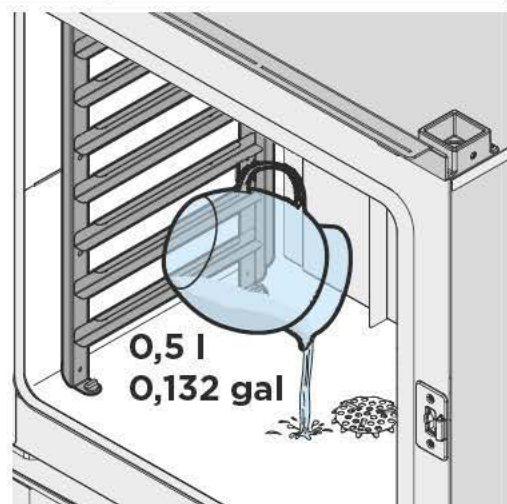


FOURS DE TABLE (1)

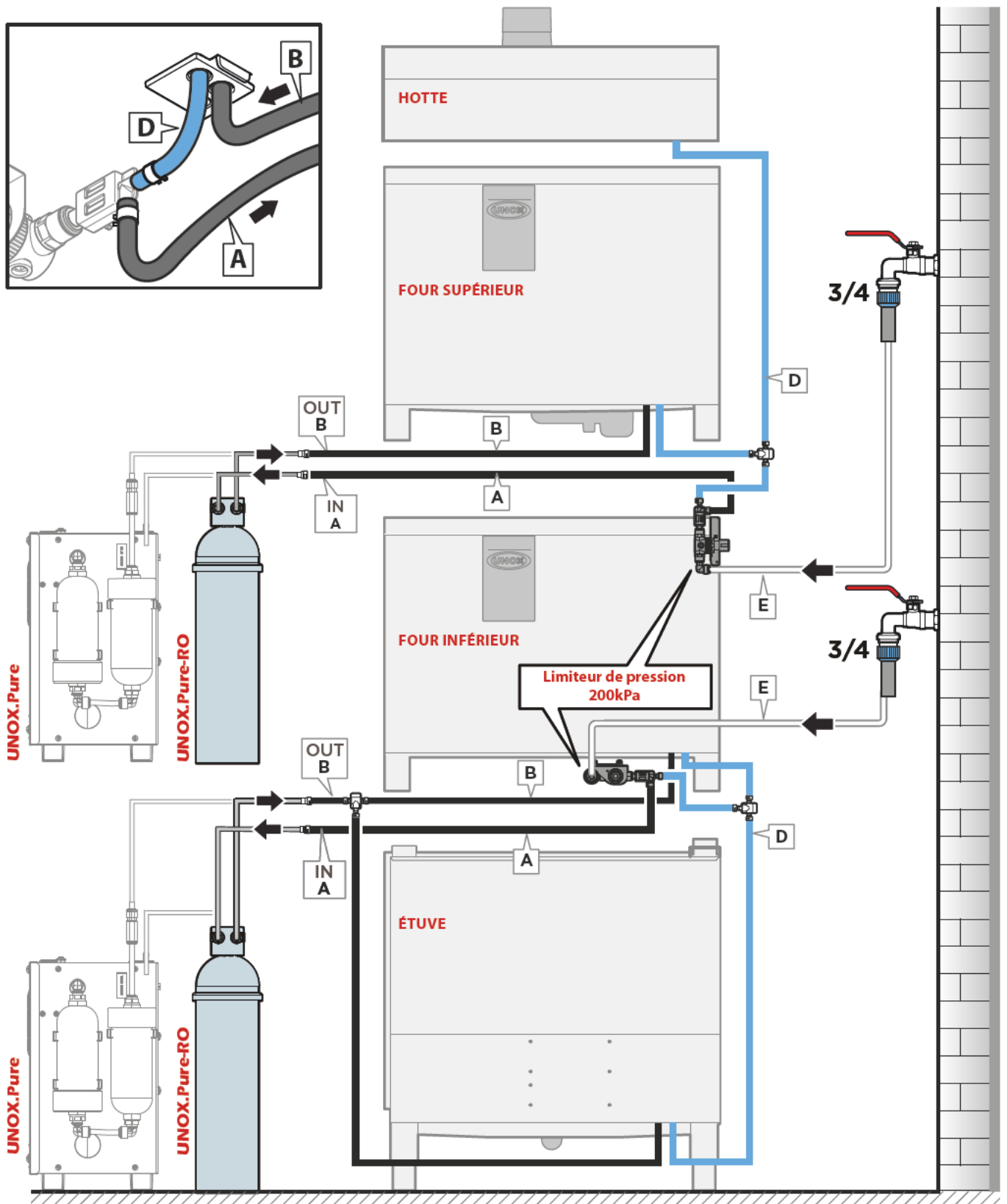


Remplissage du siphon

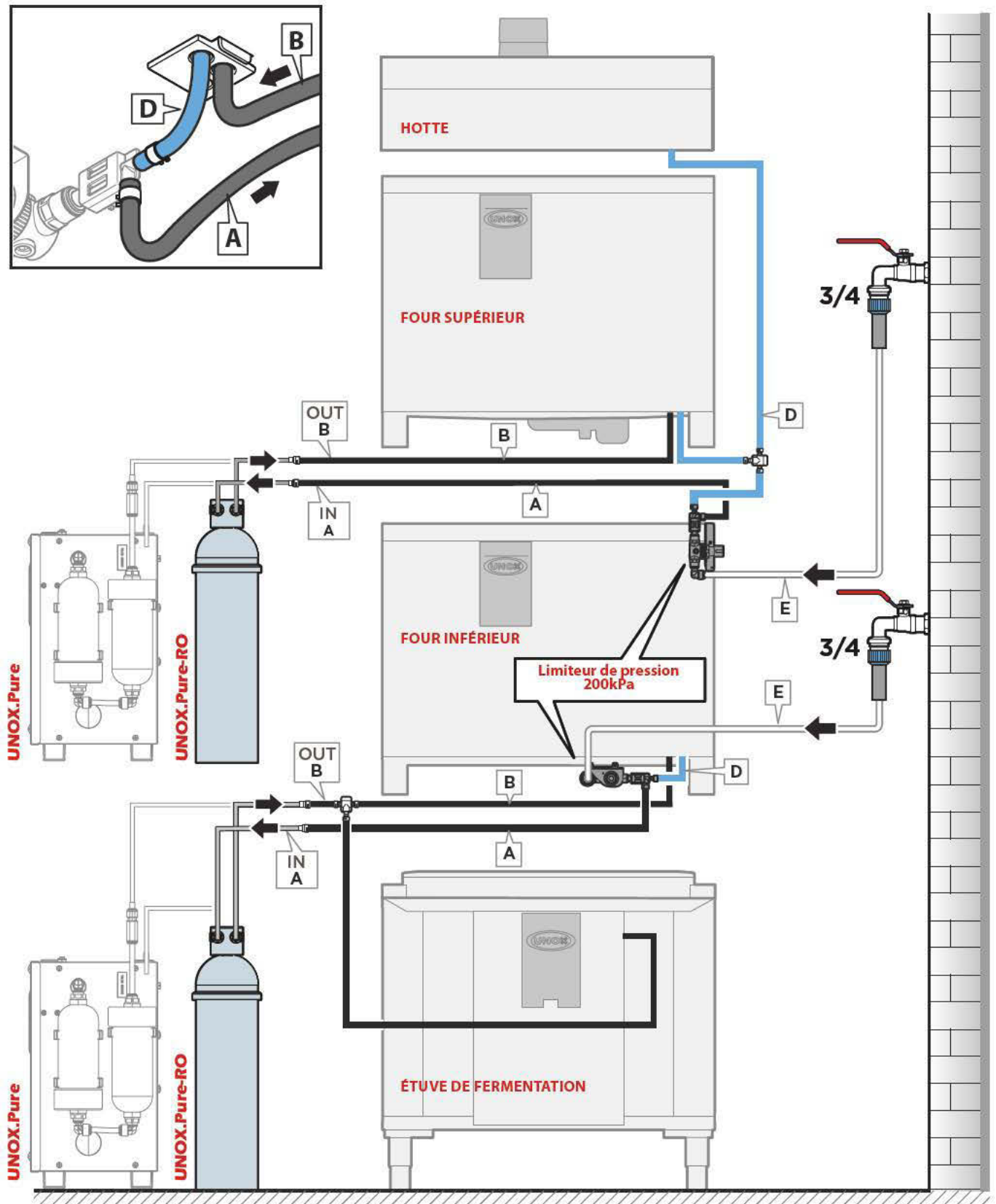
À la fin de l'installation, verser au moins 0,5 L (0,132 gal) dans le réservoir qui se trouve dans la chambre de cuisson du four, afin de remplir le siphon.



Exemple indicatif de raccords hydrauliques sur des colonnes **MAXI.Link**



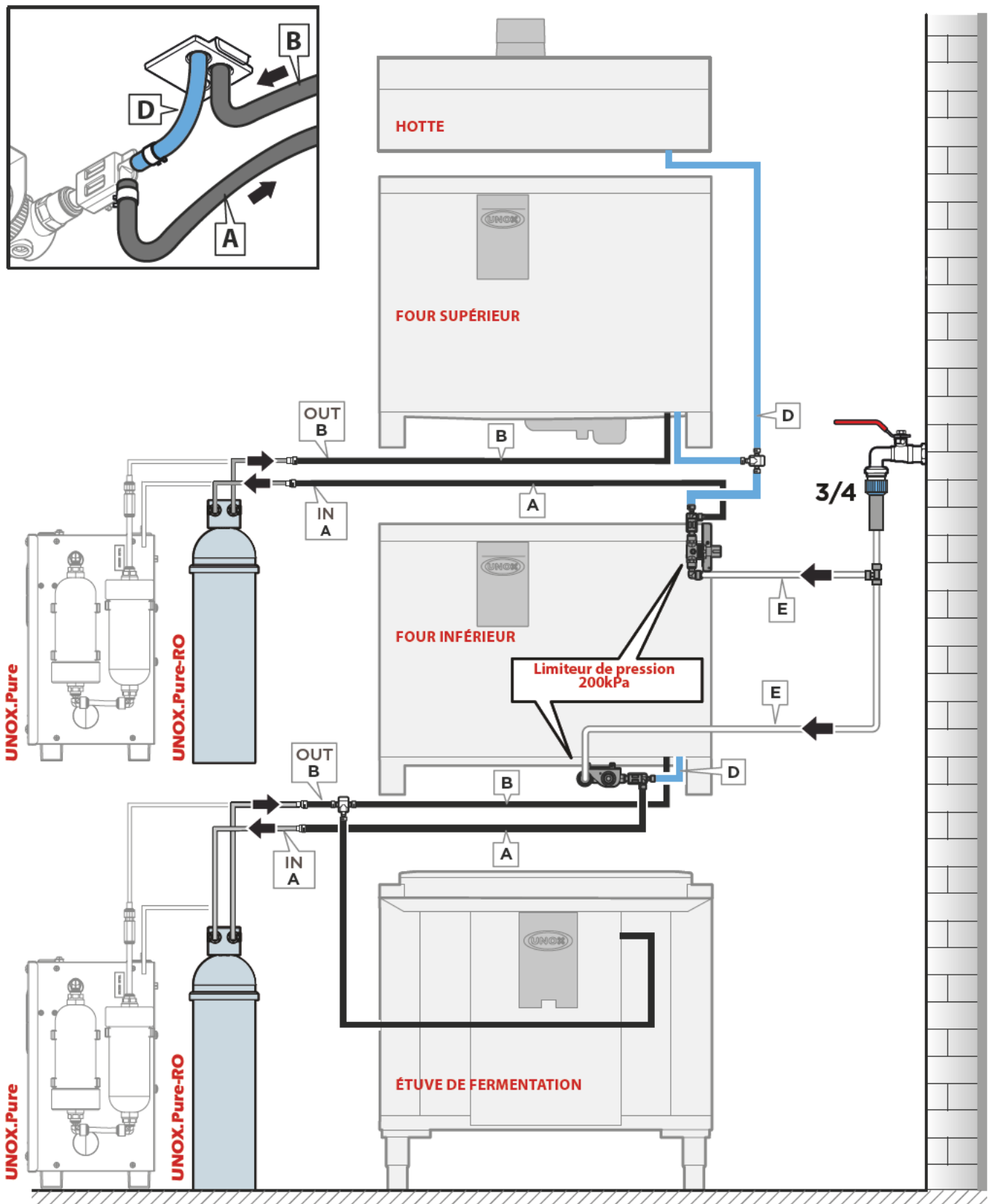
- A : Eau à traiter
- B : Eau pour vapeur chambre - traitée
- C : Raccordement au bidon du détergent (seulement pour les mod. PLUS et ONE)
- D : Eau pour lavages - non traitée (seulement pour les mod. PLUS et ONE)
- E : Eau entrante



FR

- A : Eau à traiter
- B : Eau pour vapeur chambre - traitée
- C : Raccordement au bidon du détergent (seulement pour les mod. PLUS et ONE)
- D : Eau pour lavages - non traitée (seulement pour les mod. PLUS et ONE)
- E : Eau entrante

Exemple indicatif de raccords hydrauliques sur des colonnes **MAXI.Link**



- A : Eau à traiter
- B : Eau pour vapeur chambre - traitée
- C : Raccordement au bidon du détergent (seulement pour les mod. PLUS et ONE)
- D : Eau pour lavages - non traitée (seulement pour les mod. PLUS et ONE)
- E : Eau entrante

10 REMPLISSAGE DU BIDON DU DÉTERGENT (seulement pour les mod. PLUS et ONE)

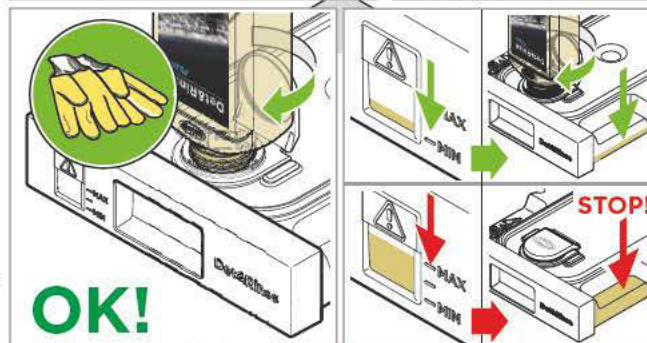
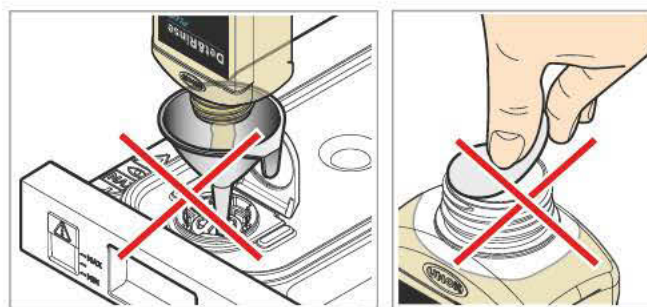
! L'opération de remplissage peut être uniquement effectuée avec des bouteilles d'1 litre de détergent **UNOX.Det&Rinse Plus**.
Pour ravitailler le détergent :

1. Portez des gants pour éviter le contact direct des mains avec le détergent.
2. Enlevez le réservoir situé en-dessous du four après avoir entendu un « clic ».
3. Ouvrez le couvercle du réservoir.
4. Ouvrez le bouchon du flacon du détergent UNOX d'1 litre **sans retirer/percer la pellicule de protection**.
5. Renversez le flacon et vissez-le sur le réservoir (en vissant le flacon, un goujon dans le réservoir perce la pellicule de protection pour permettre au détergent de couler).
6. Une fois le flacon vide, dévissez-le pour l'enlever ; évitez les fuites

! **Le détergent ne doit pas entrer en contact avec la peau, les yeux ou les muqueuses.** En cas de contact avec le détergent, suivez les instructions de la fiche de sécurité.

7. Répétez la procédure jusqu'à atteindre le niveau maximum autorisé et indiqué sur le devant du réservoir. (Capacité max. u réservoir 4 litres = 4 flacons)
8. Éliminez le flacon.
9. Réinsérez le réservoir en-dessous du four jusqu'à la butée.
10. Jetez les gants en prenant soin de ne pas toucher les zones imprégnées de détergent.

⚠ Ne jamais touchez le détergent à mains nues !



11 SYSTÈME D'EXTRACTION DES FUMÉES (SEULEMENT POUR LES FOURS ÉLECTRIQUES)

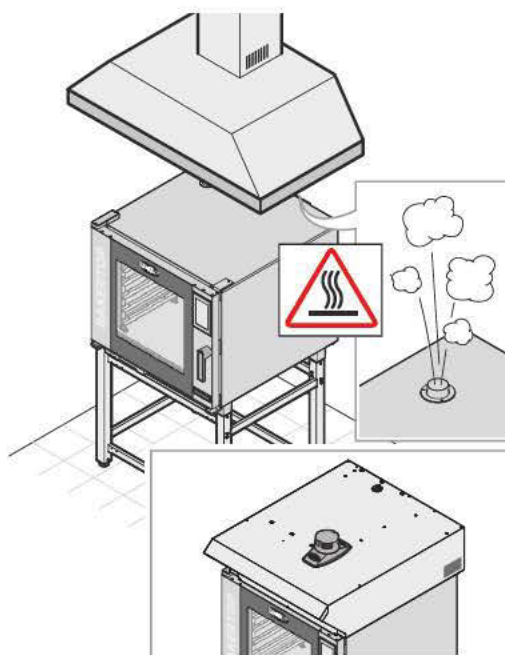
Durant la cuisson, se produisent des fumées chaudes et des odeurs, évacuées par un conduit d'extraction des fumées qui se trouve dans la partie supérieure de l'appareil.

⚠ Assurez-vous qu'aucun objet et/ou matériau qui puissent obstruer la sortie des fumées ou être endommagés par la température ou directement par les fumées ne se trouve au-dessus du système d'extraction des fumées. Ne pas laisser de matériaux inflammables à proximité du conduit d'extraction.

L'évacuation à l'extérieur des fumées peut être effectuée au moyen de :

- 1) une hotte aspirante de capacité et aux dimensions adaptées au type de four.
- 2) Une hotte aspirante du constructeur, directement gérée par un système d'autodiagnostic du four.

Pour le montage des hottes UNOX, référez-vous aux instructions contenues dans l'emballage même.





12 SYSTÈME D'EXTRACTION DES FUMÉES ET GAZ D'ÉCHAPPEMENT (SEULEMENT POUR LES FOURS À GAZ)

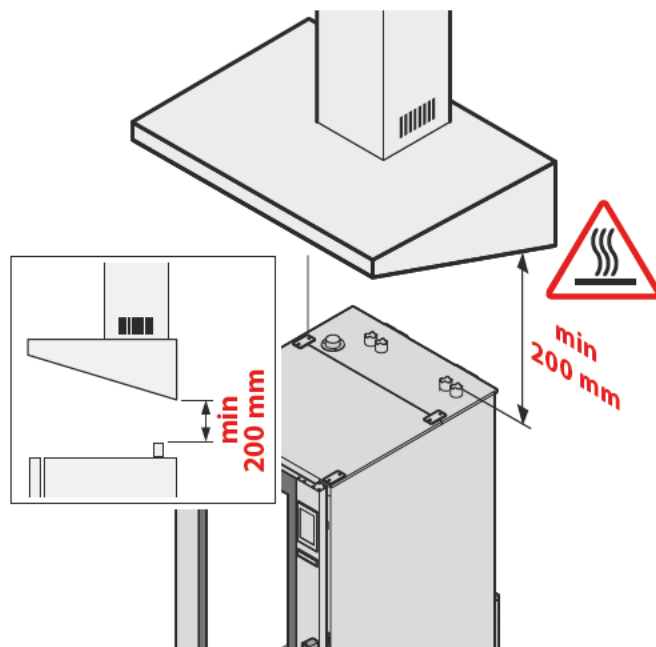
À travers le conduit d'extraction sont évacués les fumées et les odeurs provenant de la chambre du four et les gaz de combustion. Leur évacuation externe peut se faire de différentes façons : choisissez celle appropriée à la puissance nominale de l'appareil à installer et respectez les normatives d'installation nationales/locales du pays de destination.

- 1) Évacuation à travers une hotte aspirante de capacité et aux dimensions adaptées au type de four.

La hotte doit être située à au moins 20 cm du tuyau d'évacuation :

 Les gaz d'échappement peuvent atteindre des températures voisines à 500°C. N'utilisez pas de tuyaux d'échappement en aluminium ou en matériaux qui ne résistent pas à de telles températures.


 Assurez-vous qu'aucun objet et/ou matériau qui puissent obstruer la sortie des fumées ou être endommagés par la température ou directement par les fumées ne se trouve au-dessus du système d'extraction des fumées. Ne pas laisser de matériaux inflammables à proximité des cheminées d'échappement.

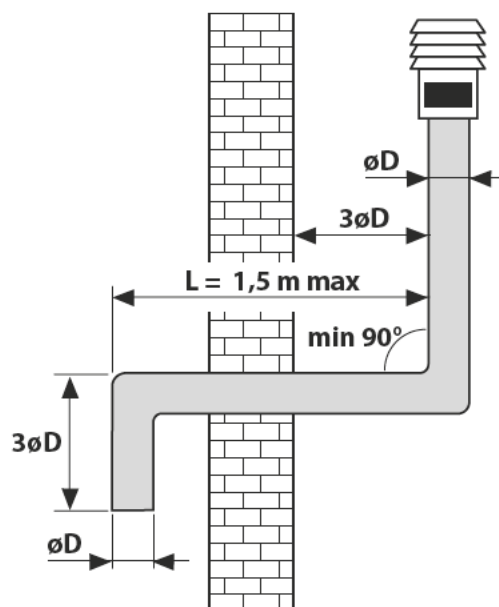


- 2) Évacuation à travers une cheminée efficace de tirage naturel. Le four est obligatoirement équipé de l'option avec interrupteur de tirage fournie sur demande par UNOX.

La cheminée doit obligatoirement :

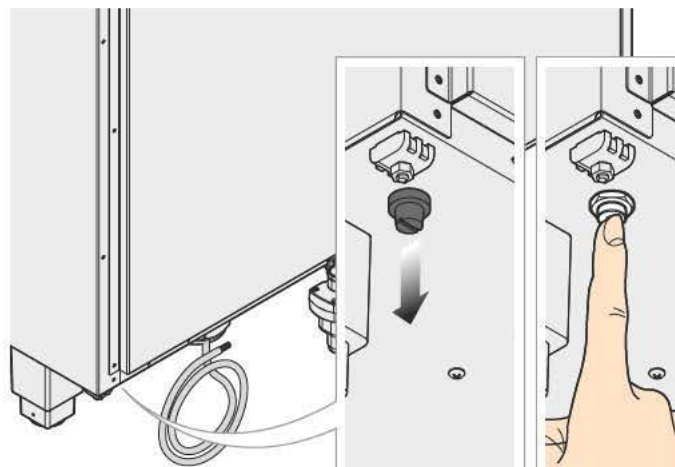
- conserver sur toute sa longueur le même diamètre ($\varnothing D$) que le raccord de l'interrupteur de tirage du four ;
- disposer d'un tronçon vertical ($3\varnothing D$) au-dessus de l'interrupteur de tirage d'une longueur égale à 3 fois le diamètre $\varnothing D$;
- avoir sur son parcours une pente ascensionnelle de 10% minimum ; les éventuels angles doivent être supérieurs ou égaux à 90° et les éventuelles parties horizontales (L) ne doivent pas avoir une longueur supérieure à 1,5 m.

 Il est conseillé de monter un couvre-cheminée sur le sommet externe du conduit de cheminée pour empêcher que l'eau de pluie entre dans le four et pour minimiser les dépressions par effet Venturi qui se manifestent en présence de forts courants d'air .



13 PROCÉDURE DE RÉARMEMENT DU FOUR (RÉSERVÉ AUX INTERVENTIONS DE SERVICE)

Pour rétablir les fonctions du four, retirez le capuchon noir du thermostat en le dévissant et en appuyant sur le goujon rouge comme sur la figure (opération réservée au Service).



14 CONNEXIONS ENTRE APPAREILS SUPERPOSÉS (MAXI.Link) (seulement pour les mod. PLUS et ONE)

Tous les fours de la ligne **CHEFTOP-BAKERTOP MIND.Maps™** sont prédisposés pour être raccordés aux accessoires (étuve chauffante, hotte, etc). Les accessoires se raccordent au four au moyen des connecteurs ModBus à l'arrière du four et se connectent automatiquement.

- 1 Débranchez tous les appareils de l'alimentation électrique.
- 2 Retirez la tôle située à l'arrière du four pour accéder à la carte de puissance.
- 3 Raccordez le câble RJ45 à l'une des prises ModBus relatives à la carte de puissance.
- 4 Remontez la tôle arrière des fours.
- 5 Branchez à nouveau tous les appareils à l'alimentation électrique.

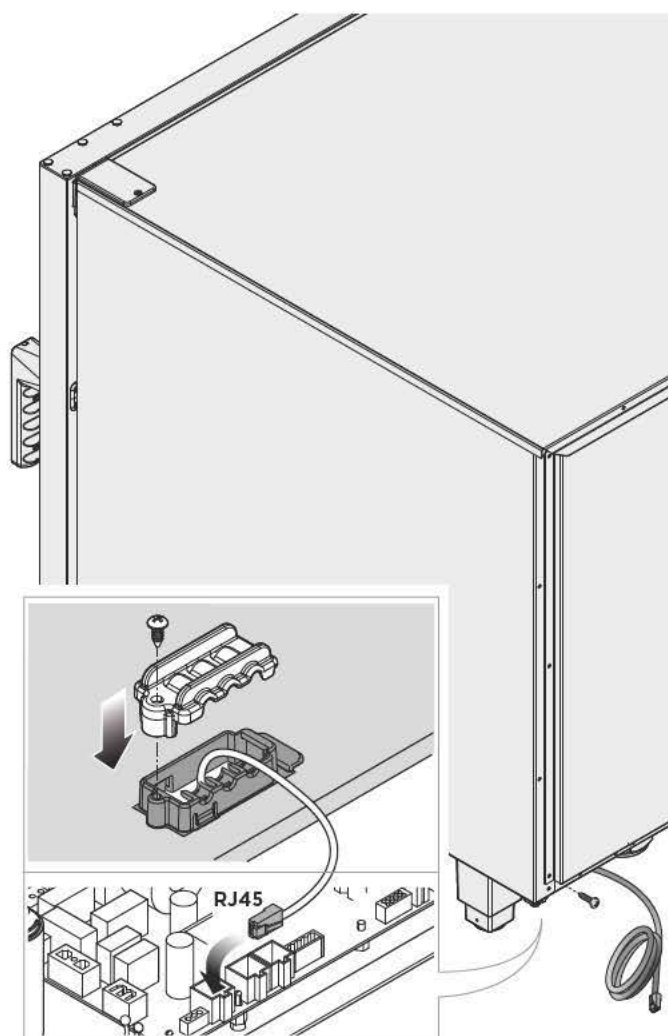
⊕ Pour plus d'informations sur l'installation et la gestion complète des accessoires et des appareils, référez-vous aux instructions contenues dans leur emballage.

! Raccordez les câbles ModBus seulement aux connecteurs ModBus relatifs et non aux connecteurs RJ45 Ethernet.

15 SERVICE D'ENTRETIEN PROGRAMMÉ (ANNUEL)

- Débranchez les branchements électriques.
- Contrôlez la polarité du 220-240Vac en entrée et la mise à la terre
- Vérifiez que l'unité soit programmée pour la pression et le type de gaz correct
- Effectuez un contrôle de sécurité complet de l'émission de CO-CO2 du système de gaz selon le modèle du four
- Contrôlez tous les raccordements contre les fuites de gaz avec un détecteur électronique de pertes de gaz
- Contrôlez le courant d'ionisation depuis le détecteur de flamme

Pour l'entretien, référez-vous au revendeur local ou contactez directement UNOX Italia.



Élimination en fin de vie

Aux termes de l'art. 13 du Décret Législatif n. 49 de 2014 « Mise en œuvre de la Directive DEEE 2012/19/EU relative aux déchets d'équipements électriques et électroniques »



Le symbole de la poubelle barrée indique que le produit a été introduit sur le marché après le 13 août 2005 et qu'en fin de vie utile il ne doit pas être assimilé aux autres déchets mais doit être éliminé séparément.

Tous les appareils sont réalisés avec des matériaux métalliques recyclables (acier inox, fer, aluminium, tôle galvanisée, cuivre, etc.) dans une proportion supérieure à 90% de leur poids.

Désactiver complètement l'appareil pour l'élimination en retirant le câble d'alimentation et tout dispositif de fermeture des compartiments ou cavités (si présents).

Il est nécessaire de poser l'attention sur la gestion de ce produit en fin de vie afin de réduire les impacts négatifs sur l'environnement et d'améliorer l'efficacité d'utilisation des ressources, en appliquant les principes de « qui pollue paie », prévention, préparation pour la réutilisation, le recyclage et la récupération. L'élimination abusive et non correcte du produit comporte l'application des sanctions prévues par la norme de loi en vigueur.

Informations sur l'élimination en Italie

En Italie, les appareils DEEE doivent être remis :

- aux Centres de Tri (appelés îles écologiques ou plateformes écologiques)
- au revendeur auprès duquel un nouvel appareil est acheté, celui-ci est tenu à les retirer gratuitement (retrait « un contre un ») ;

Informations sur l'élimination dans les pays de l'Union Européenne

La Directive communautaire sur les appareils DEEE est transposée de manière différente dans chaque pays. Si vous souhaitez éliminer cet appareil, nous vous conseillons par conséquent de contacter les autorités locales ou le Revendeur pour connaître la méthode d'élimination correcte.

Certifications

EU déclaration de conformité pour appareils électriques et à gaz

Constructeur : UNOX S.p.A.

Adresse : Via Majorana, 22 - 35010 Cadoneghe, Padova, Italy

Déclare sous sa propre responsabilité que le produit

CHEFTOP-BAKERTOP MIND.Maps™

Pour les fours électriques et à gaz :

est conforme à la Directive des Machines 2006/42/CE selon les normes suivantes :

EN 60335-1: 2014 + A1:2014

EN 60335-2-42: 2003 + A1 : 2008 + A1:2012

EN62233: 2008

EN 60335-2-102:2006 + A1:2010

est conforme à la Directive de Compatibilité Électromagnétique 2014/30/CE selon les normes :

EN 55014-1: 2006 + A1: 2009 + A2: 2011

EN 55014-2: 1997 + A1: 2001 + A2: 2008

EN 61000-3-2: 2006 + A1: 2009 + A2: 2009

EN 61000-3-3: 2008

EN 61000-3-11: 2000

EN 61000-3-12: 2011

EN 61000-6-2: 2005

EN 61000-6-3: 2007

Uniquement pour les fours à gaz :

est conforme au Règlement GAR (EU) 2016/426 à travers les normes :

EN 203-1: 2014 / EN 203-2-2: 2006



INTERNATIONAL

UNOX S.p.A.

Via Majorana 22 / 35010 Cadoneghe (PD) Italy
Tel +39 049 8657511 / Fax +39 049 8657555
info@unox.com



INVENTIVE SIMPLIFICATION

EUROPE

ITALIA

UNOX S.p.A.
E-mail: info@unox.it
Tel.: +39 049 86 57 511

ČESKÁ REPUBLIKA

UNOX DISTRIBUTION s.r.o.
E-mail: info.cz@unox.com
Tel.: +420 241 940 000

РОССИЯ, ПРИБАЛТИКА И СТРАНЫ СНГ UNOX РОССИЯ

E-mail: info.ru@unox.com
Tel.: +7 (499) 702-00-14

ESPAÑA

UNOX PROFESIONAL ESPAÑA S.L.
E-mail: info.es@unox.com
Tel.: +34 900 82 89 43

SCANDINAVIAN COUNTRIES

UNOX SCANDINAVIA AB
E-mail: info.se@unox.com
Tel.: +46 (0)768 716 422

UNITED KINGDOM

UNOX UK Ltd.
E-mail: info@unoxuk.com
Tel.: +44 1252 851 522

PORTUGAL

UNOX PORTUGAL
E-mail: info.pt@unox.com
Tel.: +351 918 228 787

DEUTSCHLAND

UNOX DEUTSCHLAND GmbH
E-mail: info.de@unox.com
Tel.: +49 2951 98760

FRANCE, BELGIUM & LUXEMBOURG

UNOX FRANCE s.a.s.
E-mail: info.fr@unox.com
Tel.: +33 4 78 17 35 39

ÖSTERREICH

UNOX ÖSTERREICH GmbH
E-mail: bestellung@unox.com
Tel.: +43 800 880 963

HRVATSKA

UNOX CROATIA
E-mail: narudzbe@unox.com
Tel.: +39 049 86 57 538

TÜRKİYE

UNOX TURKEY Profesyonel MutfaK Ekip-
manları Endüstri ve Ticaret Limited Şirketi
E-mail: info.tr@unox.com
Tel.: +90 530 176 62 03

IRELAND

UNOX IRELAND
E-mail: info.ie@unox.com
Tel.: +353 (0) 87 32 23 218

БЪЛГАРИЯ

UNOX BULGARIA
E-mail: info.bg@unox.com
Tel.: +359 88 23 13 378

ASIA & AFRICA

MALAYSIA & SINGAPORE

UNOX (ASIA) SDN. BHD
E-mail: info.asia@unox.com
Tel.: +603-58797700

OTHER ASIAN COUNTRIES

UNOX (ASIA) SDN. BHD
E-mail: info.asia@unox.com
Tel.: +603-58797700

PHILIPPINES

UNOX PHILIPPINES
E-mail: info.asia@unox.com
Tel.: +63 9173108084

대한민국

UNOX KOREA CO. Ltd.
이메일: info.asia@unox.com
전화: +82 2 69410351

AMERICA & OCEANIA

U.S.A. & CANADA

UNOX Inc.
E-mail: infousa@unox.com
Tel.: +1 800 489 8669

MEXICO

UNOX MEXICO, S. DE R.L. DE C.V.
E-mail: info.mx@unox.com
Tel.: +52 1555 4314 180

BRAZIL

UNOX BRAZIL
E-mail: info.br@unox.com
Tel.: +55 11 98717-8201

U.A.E.

UNOX MIDDLE EAST DMCC
E-mail: info.uae@unox.com
Tel.: +971 52 304 3321

SOUTH AFRICA

UNOX SOUTH AFRICA
E-mail: info.sa@unox.com
Tel.: +27 845 05 52 35

INDONESIA

UNOX INDONESIA
E-mail: info.asia@unox.com
Tel.: +62 81908852999

中华人民共和国

UNOX TRADING (SHANGHAI) CO. Ltd.
电子邮件: info.china@unox.com
电话: +86 21 56907696

COLOMBIA

UNOX COLOMBIA
E-mail: info.co@unox.com
Tel.: +57 350 65 88 204

AUSTRALIA

UNOX AUSTRALIA PTY Ltd.
E-mail: info@unoxaustralia.com.au
Tel.: +61 3 9876 0803

NEW ZEALAND

UNOX NEW ZEALAND Ltd.
E-mail: info@unox.co.nz
Tel.: +64 (0) 800 76 0803

L12444C0D00-LD1-01 - Printed: 01-2020
All images used are for illustrative purposes only.
All features indicated in this catalogue may be subject to change and could be updated without notice.

UNOX.COM | FOLLOW US ON





CHEFTOP-BAKERTOP MIND.Maps™

INSTALLATIONSHANDBUCH



INSTALLATIONSTEIL

EINLEITUNG	4
VORWORT	4
ERKLÄRUNG DER PIKTOGRAMME	4
SICHERHEITSNORMEN ZUR MONTAGE	5
AUSPACKEN DES GERÄTS	7
KONTROLLE DES VERPACKUNGSIHALTS	8
VORBEREITENDE VORGÄNGE	9
POSITIONIERUNG	10
POSITIONIERMODUS - AUFSATZÖFEN	14
POSITIONIERMODUS - BODENÖFEN MIT / OHNE WAGEN	17
ELEKTRISCHE ANSCHLÜSSE	20
GASANSCHLUSS (NUR FÜR GASÖFEN)	24
WASSERANSCHLÜSSE	26
AUFFÜLLEN DES REINIGUNGSMITTELMITTELKANISTERS	35
DAMPFABZUG (NUR BEI ELEKTROÖFEN)	36
DAMPF- UND GASABZUG - (NUR BEI GASÖFEN)	36
VORGANG ZUM RÜCKSETZEN DES OFENS (FÜR KUNDENDIENST RESERVIERT)	37
ANSCHLÜSSE ZWISCHEN ÜBEREINANDERSTEHENDEN GERÄTEN (MAXI.LINK)	37
PROGRAMMIERTER INSTANDHALTUNGSSERVICE (JÄHRLICH)	37
VERSCHROTTUNG AM LEBENSENDE	38
ZERTIFIKATE	38

Einleitung

Sehr geehrter Kunde,

wir bedanken uns bei Ihnen, sich für einen Ofen / ein Einbaugerät der Reihe **CHEFTOP-BAKERTOP MIND.Maps™** entschieden zu haben.

Die Öfen sind das qualitativ hochwertigste Ergebnis der Unox-Forschung, die einen minimalen Platzbedarf benötigen und exzellente Leistungen sowie das Verwalten von außerordentlichen Garzeiten bei jedem Gebrauch bieten.

Die Öfen der Reihe **CHEFTOP-BAKERTOP MIND.Maps™** verwenden die besten von UNOX patentierten Technologien, die in Zusammenarbeit mit Chefköchen und innovativen Forschungsinstituten entwickelt wurden. Eine große Spanne an verfügbarem Zubehör machen die Öfen zu einem vielfältigen Instrument.

Dadurch wird die Arbeit in der Küche noch stärker vereinfacht.

Vorwort

In diesem Handbuch wird die Montage und der Gebrauch der Reihen **CHEFTOP-BAKERTOP MIND.Maps™** dargestellt.

Die Öfen der Reihe **CHEFTOP MIND.Maps™** zusammen mit dem Zubehör bieten dank der Technologie **MAXI.Link** Lösungen zum kompletten Garen (cooking solutions) für den Gastronomiebereich: Ofen mit Schockfroster, Ofen mit **SlowTop** -Temperaturhalter und Aufbau übereinander von zwei oder mehreren Öfen.

Die Modelle **CHEFTOP MIND.Maps™** sind als Elektro- und Gasöfen verfügbar und haben eine digitale Steuerung sowie folgende Kapazitäten: 5, 10 **GN 1/3** - 5 **GN 2/3** - 3, 5, 7, 10, 20 **GN 1/1** - 6, 10, 20 **GN 2/1**.

Die Öfen der Reihe **BAKERTOP MIND.Maps™** zusammen mit dem Zubehör bieten Backstationen (BAKING STATIONS) für Konditorei und Bäckereien. Mit diesen Öfen können Sie Folgendes backen: Blätterteig, Biskuit, Eclair, Croissants, Pizza, Focaccia, Panettone und Hefeprodukte.

Die Modelle **BAKERTOP MIND.Maps™** sind für Elektro- und Gasöfen verfügbar und haben eine digitale Steuerung und folgende Fähigkeiten: 4, 6, 10, 16 Bleche 600x400.

Alle Elektroöfen sind je nach Ausstattung in den Versionen **ZERO**, **ONE**, oder **PLUS** erhältlich. Auf diese Weise können Sie zwischen einem essenziell ausgestatteten Gerät und dem Höchstmaß der Innovation und Funktionalität von UNOX wählen.

Die Gas-Öfen sind nur in der Version **PLUS** verfügbar.

Die Versionen **ZERO** sind nur als elektrische Modelle 5/7/10 GN 1/1 erhältlich.

 Lesen Sie aufmerksam dieses Handbuch, das alle Hinweise und Angaben zur Qualität und Funktion des erworbenen Produkts aufführt.

Erklärung der Piktogramme

Die Montage- und Gebrauchsanleitung ist für alle Modelle gültig, mit Ausnahme der Unterschiede, die in den folgenden Piktogrammen aufgeführt werden:



Gefahr! Sofortige Gefahr oder gefährliche Situation, die zu Verletzungen oder zum Tode führen kann.



Brandgefahr!



Stromschlaggefahr!



Die Gebrauchsanleitung lesen



Verbrennungsgefahr



Empfehlungen und nützliche Informationen



Erdungssymbol



Potentialausgleichssymbol



Siehe anderes Kapitel

Sicherheitsnormen zur Montage

- Vor der Montage und der Wartung des Geräts lesen Sie aufmerksam dieses Handbuch und bewahren es zur weiteren Befragung für die einzelnen Bediener auf.
- Alle Montage- und außerordentlichen Wartungsvorgänge dürfen nur von qualifiziertem und von UNOX befugtem Fachpersonal gemäß den im Lande geltenden Normen zur Anlage und Sicherheit am Arbeitsplatz durchgeführt werden.
- Bevor Montage- und Wartungsvorgänge durchgeführt werden, lösen Sie das Strom- und Gasversorgungsgerät(nur für Gasöfen).
- Bevor Sie das Gerät montieren, kontrollieren Sie, dass alle Anlagen den im Nutzerland geltenden Normen und den Normen auf dem Kennschild entsprechen.
- Eingriffe oder Veränderungen, die nicht ausdrücklich genehmigt wurden und nicht den Bestimmungen in der vorliegenden Anleitung entsprechen, können zu Schäden, Verletzungen oder tödlichen Unfällen führen.
- Außerdem führen Eingriffe oder Veränderungen, die nicht ausdrücklich genehmigt wurden und nicht den Bestimmungen in der vorliegenden Anleitung entsprechen, zu einem Verfall der Garantie.
- Eine Montage oder eine Wartung, die nicht in diesem Handbuch angegeben wird, kann zu Verletzungen oder Todesfällen führen.
- Während der Montage des Geräts ist der Durchgang oder der Aufenthalt von nicht qualifiziertem Personal in der Arbeitszone verboten.
- Wenn die Geräte auf Räder oder als Aufbau montiert werden, verwenden Sie nur Komponenten von UNOX und achten Sie auf die Montagehinweise in der Verpackung selbst.
- Das Verpackungsmaterial, das eventuell gefährlich sein kann, muss von Kindern oder Tieren ferngehalten und richtig gemäß den lokalen Normen entsorgt werden.
- Das Schild mit den technischen Daten liefert wichtige Daten: Diese sind grundlegend bei einer Anfrage auf einen Wartungs- oder Reparaturingriff des Geräts: Entfernen Sie das Schild, beschädigen oder verändern es nicht.
- Wenn diese Normen nicht beachtet werden, kann es zu Schäden, Verletzungen oder auch zu Todesfällen kommen. Die Garantie entfällt in diesem Fall und entbindet UNOX von jeglicher Verantwortung.
- Kinder unter 8 Jahren, Personen mit körperlichen, sensorischen oder geistigen eingeschränkten Fähigkeiten bzw. mit fehlender Erfahrung oder fehlendem Wissen dürfen das Gerät nur unter Aufsicht bedienen oder nachdem sie die nötigen Hinweise und Erklärungen zum sicheren Gebrauch des Geräts erhalten und die damit zusammenhängenden Gefahren erkannt und verstanden haben. Kinder dürfen nicht mit dem Gerät spielen. Die Reinigungs- und Wartungsarbeiten, die vom Nutzer durchzuführen sind, dürfen nicht von unbeaufsichtigten Kindern vorgenommen werden.
- Zur Reinigung der Komponenten und des Zubehörs Folgendes NICHT verwenden: Wasserstrahlen.
- Verwenden Sie für den Anschluss an die Wasserleitung den mit dem gerät gelieferten Satz neue Dichtungen. Die bereits verwendeten Anschlüsse dürfen nicht wiederverwendet werden.
- Für einen richtigen Stromanschluss muss das Gerät:
 - Eine Potentialausgleichsanlage gemäß den geltenden Normen haben. Dieser Anschluss muss zwischen verschiedenen Geräten an der Klemmleiste mit dem Potentialausgleichssymbol  durchgeführt werden. Der Leiter muss einen maximalen Kabelschnitt von 10 mm² haben (gemäß der Norm CEI EN 60335-2-36) und muss mit den Farben Gelb/Grün gekennzeichnet sein.

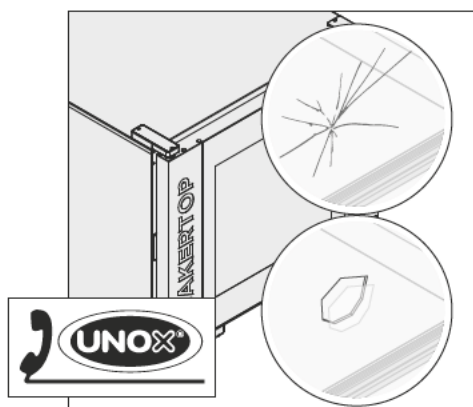
- An die Erdungsleitung (⊕) des Netzes angeschlossen sein (gelb grünes Kabel).
- An einen Thermoschalter gemäß der geltenden Norm angeschlossen sein (0,03 Typ A).
- An einen allpoligen Schaltmechanismus angeschlossen sein, der ein komplettes Abschalten unter Bedingungen der Überspannungskategorie III ermöglicht.

Nur für Gasöfen

- Montieren Sie die Geräte nur an Orten:
 - die den Sicherheitsanforderungen der geltenden Normen entsprechen;
 - mit geeigneter Lüftung. Versichern Sie sich, dass die Frischluft kontinuierlich zirkuliert, um eine richtige Entzündung zu garantieren und das Bilden von schädlichen Gasen und Substanzen in der Luft zu verhindern - Erstickungsgefahr!
- Versichern Sie sich:
 - die Montage unter Beachtung der im Nutzerland geltenden Sicherheitsnormen und den Anforderungen des Gaslieferanten durchzuführen.
 - dass die Lüftungsöffnungen nicht verstopft sind (z.B. durch Objekte oder durch Wände);
 - dass das verfügbare Gas dem Gas, das auf dem Datenschild angegeben wird, entspricht;
 - dass die Gasanschlussleitungen den angegebenen Durchmessern entsprechen;
 - dass die Komponenten, die nicht von UNOX geliefert werden, die zur Montage verwendet wurden, den im Nutzerland geltenden Normen entsprechen;
 - dass der Druck der Anschlussleitungen dem Druck am Netzeingang entspricht;
 - dass der maximale Netzeingangsdruk maximal 55 mbar ist. Höhere Drücke sind nicht zulässig.
- Nach dem Gasanschluss kontrollieren Sie die perfekte Dichtung der Komponenten, wenn möglich mit nicht korrosiven Schaumsubstanzen. Verhindern Sie die Nutzung von Flammen!
- Bei der ersten Inbetriebnahme muss ein qualifizierter und von UNOX autorisierter Techniker eine Abgasanalyse des Brenners (CO, CO₂) durchführen und die gemessenen Werte am Gerät vermerken.
- Der Installateur darf keine Änderungen an den vom Hersteller oder seinem Handelsvertreter geschützten Teilen vornehmen.

STROMSCHLAGGEFAHR

- Öffnen Sie nicht die Räume, die mit diesem Symbol gekennzeichnet sind: Nur von UNOX befugtes Fachpersonal darf diese öffnen. Wenn diese Norm nicht beachtet wird, verfällt die Garantie und es besteht Verletzungs- und Lebensgefahr.



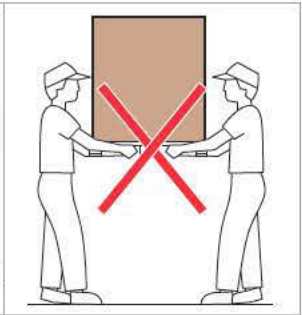
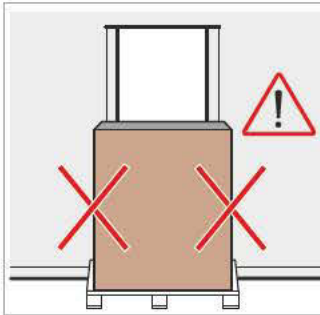
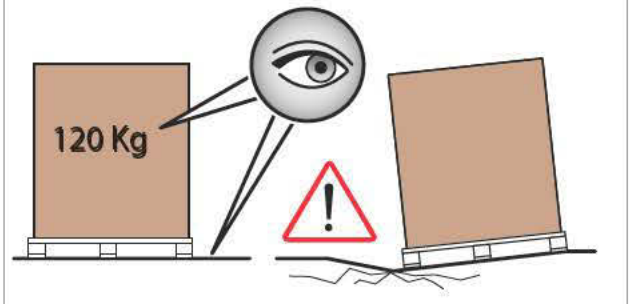
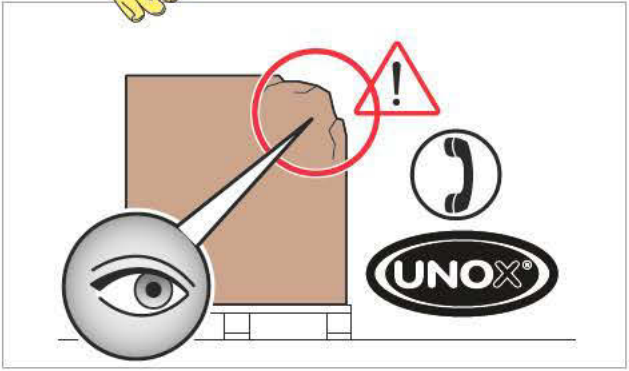
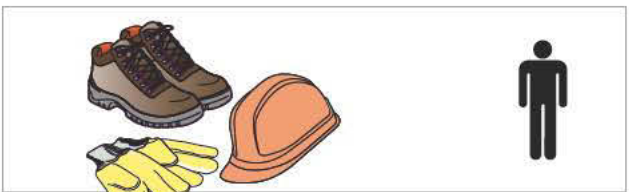
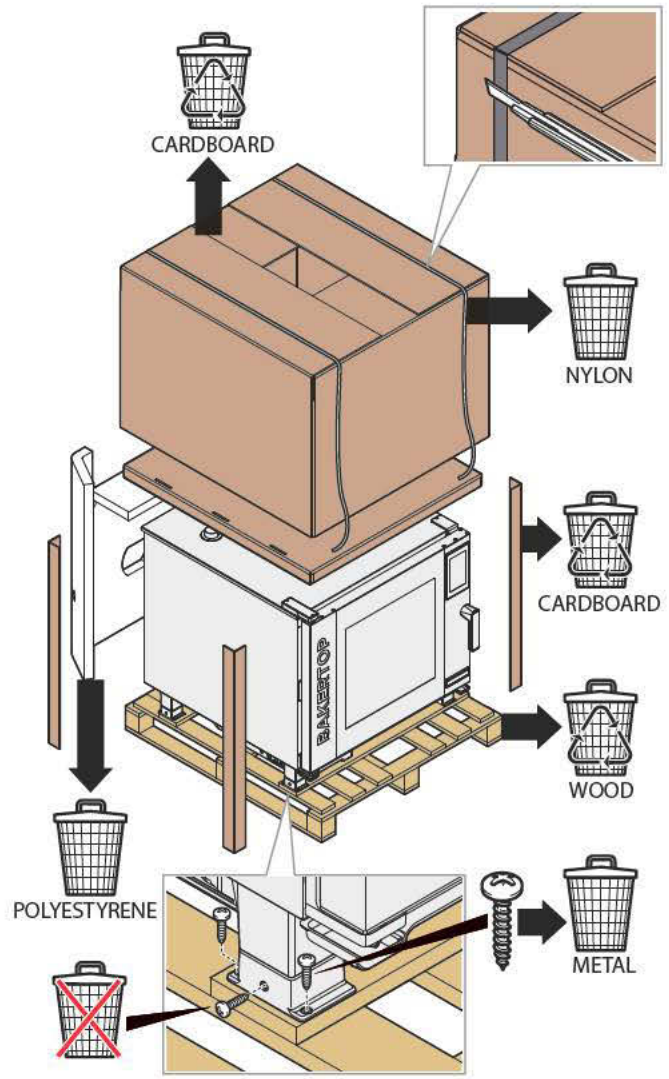
Sollte die Scheibe des Gerätes gebrochen oder beschädigt sein, fordern Sie umgehend Assistenz bei einer autorisierten Kundendienststelle an. **Verwenden Sie den Ofen nicht: Es besteht Explosionsgefahr!**

1 AUSPACKEN DES GERÄTS

Bei Lieferung kontrollieren, dass keine sichtbaren Schäden vorhanden sind. Anderenfalls informieren Sie umgehend UNOX, und beginnen Sie NICHT mit der Montage.

Vor dem Transport des Geräts am Montageort, vergewissern Sie sich, dass:
 - das Gerät problemlos durch die Türen passt;
 - der Boden das Gewicht aushält.
 Der Transport muss mit mechanischen Mitteln erfolgen (z.B. Gabelstapler).

! Das Verpackungsmaterial, das eventuell gefährlich sein kann, muss von Kindern oder Tieren ferngehalten und richtig gemäß den lokalen Normen entsorgt werden.



NON-STOP Efforts

UNOX verfolgt seit Jahren die **NON-STOP Efforts**-Philosophie und erhöht die Umweltverträglichkeit der eigenen Produkte und reduziert immer weiter den energetischen Verbrauch und die Verluste. UNOX möchte die Umwelt schützen und fordert dazu auf, das Material in den jeweiligen Behältern getrennt zu entsorgen.

2

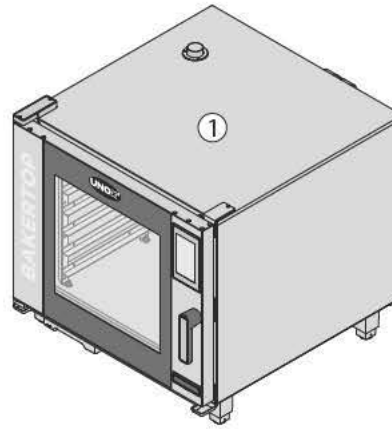
KONTROLLE DES VERPACKUNGSINHALTS

Vor Beginn der Montage, kontrollieren Sie, dass die folgenden Komponenten vorhanden und intakt sind:

! Wenn eine Komponente fehlen oder beschädigt sein sollte, UNOX kontaktieren.

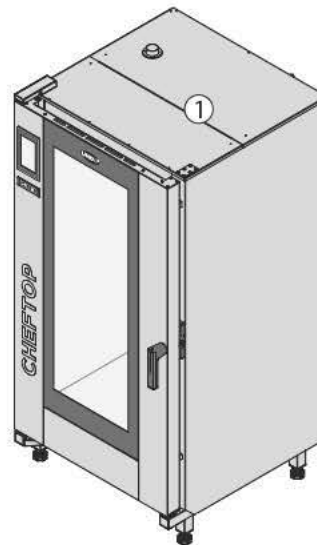
Tischöfen

- ① Ofen, ausgelegt für:
 - Stromanschluss (Stromkabel bereits vorhanden, Stecker muss vom Installateur installiert werden);
 - Wasseranschluss (Wassereinlaufleitung, mechanischer Filter, 3/4-Anschluss mit schon montiertem Rückschlagventil);
- ② technische Dokumentation (Gebrauchs- und Wartungsanleitung, Blatt "Technische Daten");
- ③ 4 Kunststoffhalter;
- ④ Beutel "Starter Kit" (8 selbstbohrende Schrauben, 1 Schlüssel für Anschlüsse, 1 Klebeetikett "Vorsicht! Fallende Flüssigkeiten").



Bodenöfen mit/ohne Wagen

- ① Ofen, ausgelegt für:
 - Stromanschluss (Stromkabel und Stecker nicht montiert);
 - Wasseranschluss (Wassereinlaufleitung, mechanischer Filter, 3/4-Anschluss mit schon montiertem Rückschlagventil);
- ② technische Dokumentation (Gebrauchs- und Wartungsanleitung, Blatt "Technische Daten");
- ③ 2 Kunststoffhalter;
- ④ 1 Beutel "Starter Kit" (8 selbstbohrende Schrauben, 1 Schlüssel für Anschlüsse, 1 Klebeetikett "Vorsicht! Fallende Flüssigkeiten").
- ⑤ Wagen (nur Mod. mit Wagen).



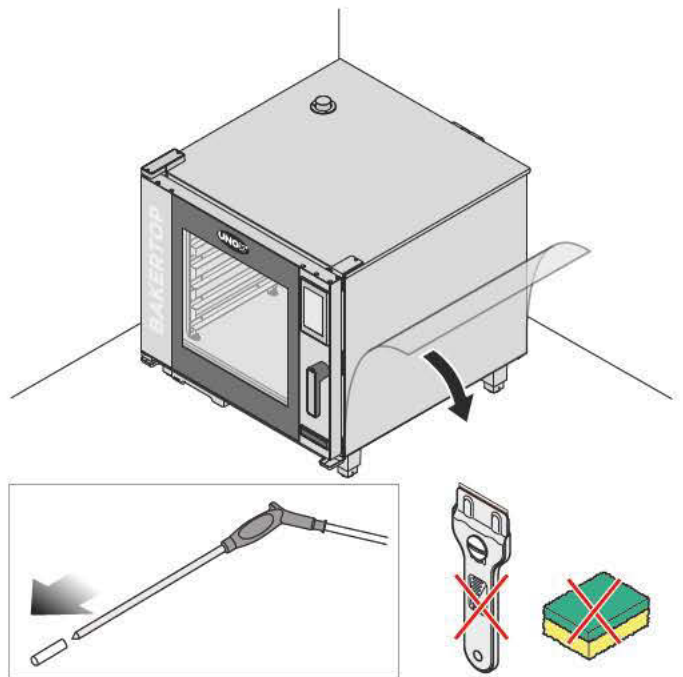
+ Zur kompletten Vervollständigung der Reihe **CHEFTOP-BAKERTOP MIND.Maps™** sind verschiedene Zusatzinstrumente verfügbar; Kontaktieren Sie UNOX für weitere Informationen.

3 VORBEREITENDE VORGÄNGE

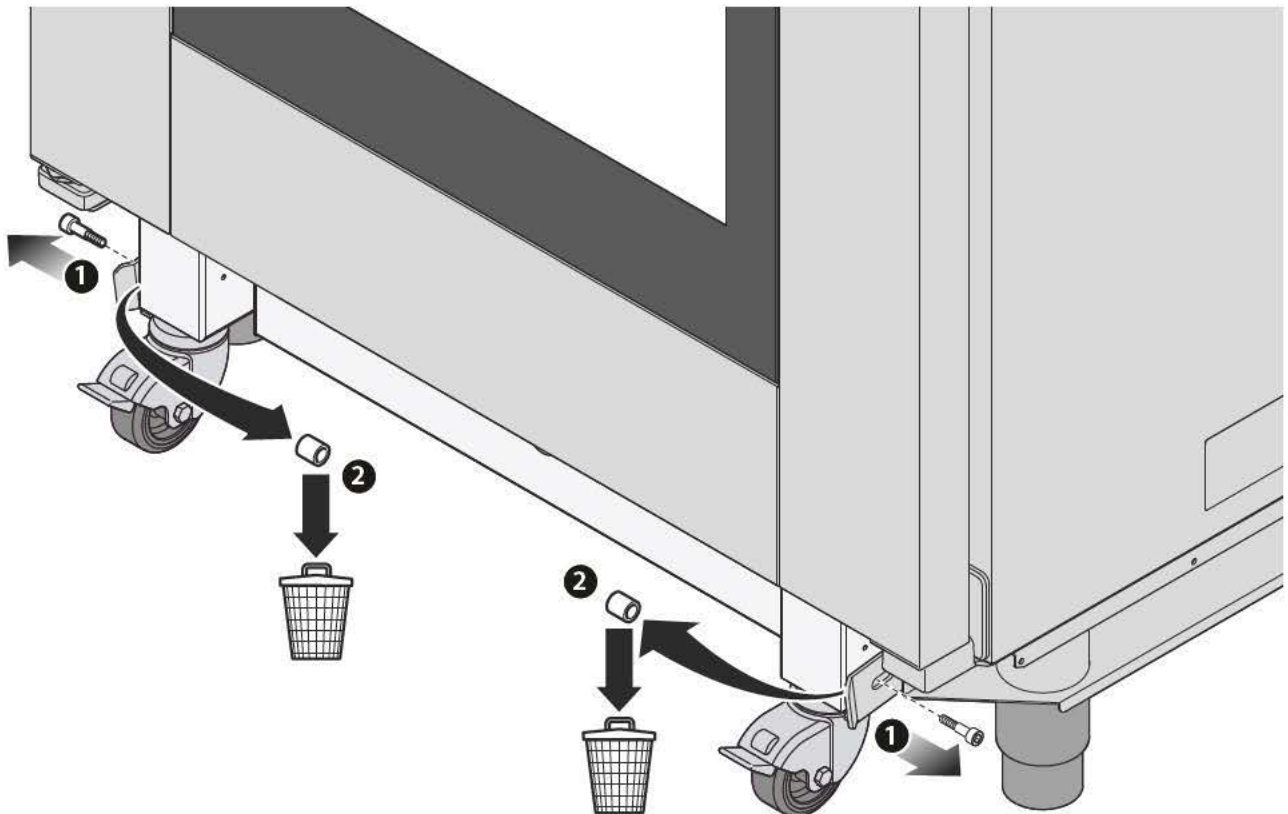
Entfernen der Folie und des Silikonschutzbands

Lösen Sie langsam die Schutzfolie des Geräts: Entfernen Sie die eventuellen Rückstände. Die Klebstoffrückstände mit geeignetem Lösemittel entfernen, ohne die Oberfläche mit Werkzeugen oder aggressiven oder ätzenden Reinigungsmitteln zu beschädigen.

! Die entfernte Folie, die eventuell gefährlich sein kann, muss von Kindern oder Tieren ferngehalten und richtig gemäß den lokalen Normen entsorgt werden.



Wagenfeststeller entfernen (nur bei Öfen mit Wagen)



4

POSITIONIERUNG

Technische Daten des Montageraums

Montieren Sie die Geräte nur an Orten:

- die für Garen von Industriegerichten ausgelegt sind;
- mit adäquatem Luftaustausch;
- die den Normen zur Sicherheit am Arbeitsplatz und an den Anlagen entsprechen;
- die vor Umwelteinflüssen geschützt sind;
- mit Temperaturen zwischen +5° und 35°C maximal;
- mit einer Feuchtigkeit unter 70%.

Ein Gerät, das mit Gas versorgt wird, muss gesetzmäßig in den folgenden Räumen aufgestellt werden:

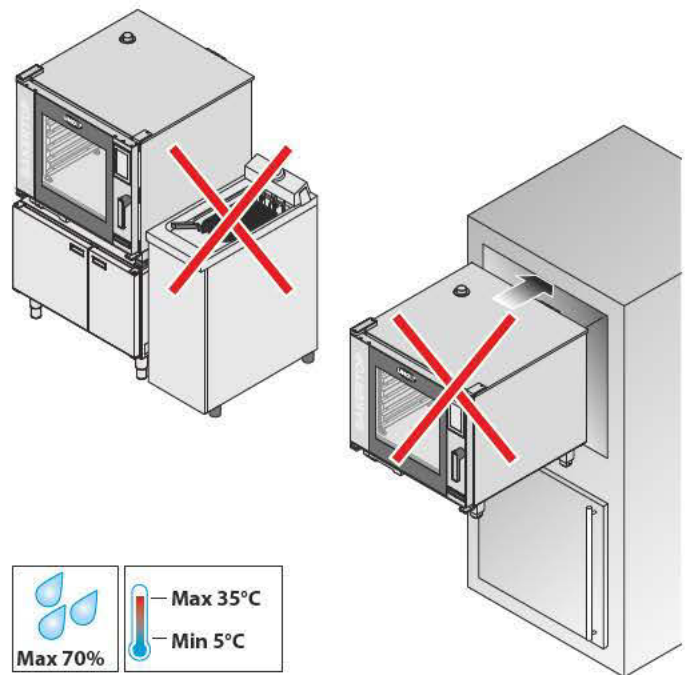
- mit Oberflächen und Lüftungen adäquat zur Leistung des Ofens;
- Bereitstellung für einen externen Abzug der Abgase.



Für weitere Informationen, siehe Kapitel **Dampfabzug (nur bei Elektroöfen)** auf Seite 35.



Montieren Sie keine Geräte in der Nähe von anderen Aggregaten, die hohe Temperaturen erreichen, um keine elektrischen Komponenten zu beschädigen. Das Gerät ist nicht für ein Gehäuse geeignet. Versichern Sie sich, dass der Boden das Gewicht des Geräts bei voller Ladung aushält (siehe die folgenden Tabellen).






Wenn Sie weitere technische Informationen zum Gerät benötigen, siehe das Blatt "Technische Daten" anbei zum Gerät.

		Ofenmodell			Installation	Abmessungen				Max. Ladung [kg]
						Breite [mm]	Tiefe [mm]	Höhe [mm]	Nettogewicht [Kg]	
ELEKTROÖFEN	ChefTop™ MIND. Maps COMPACT	XECC-0523-E1xM	ONE	GN 2/3	CounterTop	535	672	649	56	17
		XECC-0513-EPxM	PLUS	GN 1/3	CounterTop	535	872	649	68	25
		XECC-0523-EPxM	PLUS	GN 2/3	CounterTop	535	672	649	58	17
		XECC-1013-EPxM	PLUS	GN 1/3	CounterTop	535	872	984	90	45
	CHEFTOP MIND. Maps™	XEVC-0311-E1xM	ONE	GN 1/1	CounterTop	750	783	538	54	15
		XEVC-0511-E1xM	ONE	GN 1/1	Countertop	750	783	675	66	25
		XEVC-0511-E1xM-LP	ONE	GN 1/1	Countertop	750	783	675	66	25
		XEVC-0711-E1xM	ONE	GN 1/1	Countertop	750	783	843	82	35
		XEVC-1011-E1xM	ONE	GN 1/1	Countertop	750	783	1010	92	45
		XEVC-0311-EPxM	PLUS	GN 1/1	CounterTop	750	783	538	56	15
		XEVC-0511-EPxM	PLUS	GN 1/1	Countertop	750	783	675	70	25
		XEVC-0711-EPxM	PLUS	GN 1/1	Countertop	750	783	843	86	35
		XEVC-1011-EPxM	PLUS	GN 1/1	Countertop	750	783	1010	98	45
		XEVC-0621-EPxM	PLUS	GN 2/1	CounterTop	860	1145	842	120	60
		XEVC-1021-EPxM	PLUS	GN 2/1	Countertop	860	1145	1162	180	90
		XEVC-0511-EZxM	ZERO	GN 1/1	Countertop	750	783	675	64	25
		XEVC-0511-EZxM-LP	ZERO	GN 1/1	Countertop	750	783	675	64	25
		XEVC-0711-EZxM	ZERO	GN 1/1	Countertop	750	783	843	80	35
		XEVC-1011-EZxM	ZERO	GN 1/1	Countertop	750	783	1010	90	45
		GASÖFEN	CHEFTOP MIND. Maps™	XEVL-2011-E1xS	ONE	GN 1/1	Floor	892	1018	1875
XEVL-2011-YPxS	PLUS			GN 1/1	Floor	892	1018	1875	292	90
XEVL-2011-DPxS	PLUS			GN 1/1	Floor	892	1018	1875	339	90
XEVL-2021-YPxS	PLUS			GN 2/1	Floor	892	1257	1875	339	180
XEVL-2021-DPxS	PLUS			GN 2/1	Floor	892	1257	1875	339	180
XEVC-0511-GPxM	PLUS			GN 1/1	CounterTop	750	783	675	83	25
XEVC-0711-GPxM	PLUS			GN 1/1	CounterTop	750	783	843	104	35
XEVC-1011-GPxM	PLUS			GN 1/1	CounterTop	750	783	1010	117	45

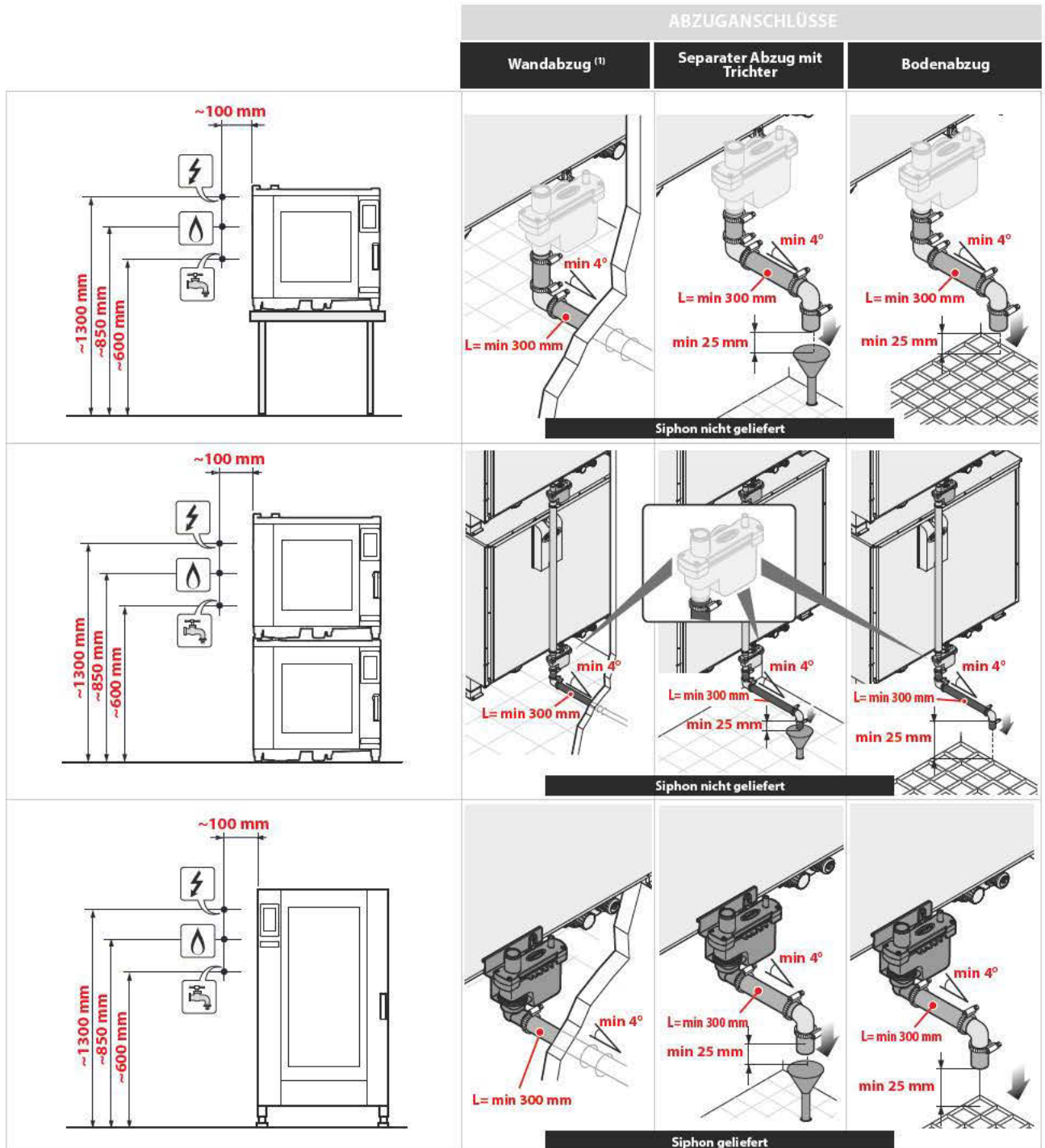
		Ofenmodell			Installation	Abmessungen				Max. Ladung [kg]
						Breite [mm]	Tiefe [mm]	Höhe [mm]	Nettogewicht [Kg]	
ELEKTROÖFEN	BAKERTOP MIND. Maps™	XEBC-04EU-E1xM	ONE	600x400	CounterTop	860	967	675	90	20
		XEBC-06EU-E1xM	ONE	600x400	CounterTop	860	967	843	103	30
		XEBC-10EU-E1xM	ONE	600x400	CounterTop	860	967	1163	136	50
		XEBC-04EU-EPxM	PLUS	600x400	CounterTop	860	967	675	95	20
		XEBC-06EU-EPxM	PLUS	600x400	CounterTop	860	967	843	112	30
		XEBC-10EU-EPxM	PLUS	600x400	CounterTop	860	967	1163	148	50
		XEBL-16EU-E1xS	ONE	600x400	Floor	892	1018	1875	292	85
		XEBL-16EU-YPxS	PLUS	600x400	Floor	892	1018	1875	292	85
		XEBL-16EU-DPxS	PLUS	600x400	Floor	892	1018	1875	292	85
GASÖFEN	BAKERTOP MIND. Maps™	XEBC-06EU-GPxM	PLUS	600x400	CounterTop	860	967	843	126	30
		XEBC-10EU-GPxM	PLUS	600x400	CounterTop	860	967	1163	148	50
		XEBL-16EU-GPxS	PLUS	600x400	Floor	892	1018	1875	309	85

Die Montageräume müssen auf die elektrischen Anschlüsse ausgelegt sein (nur für Gasöfen) und den jeweiligen Normen zur Sicherheit am Arbeitsplatz und zur Anlage müssen beachtet werden.

In der Abbildung werden indikative Maße für die Auslegung angegeben:

-  elektrischer Anschluss
-  Wasseranschluss
-  Gasanschluss (wenn vorgesehen)

 Beim Garen großer Mengen fettiger Lebensmittel siehe die Vorsichtsmaßnahmen im Abschn. **“Technische Daten des Abwassers”** auf Seite 31.

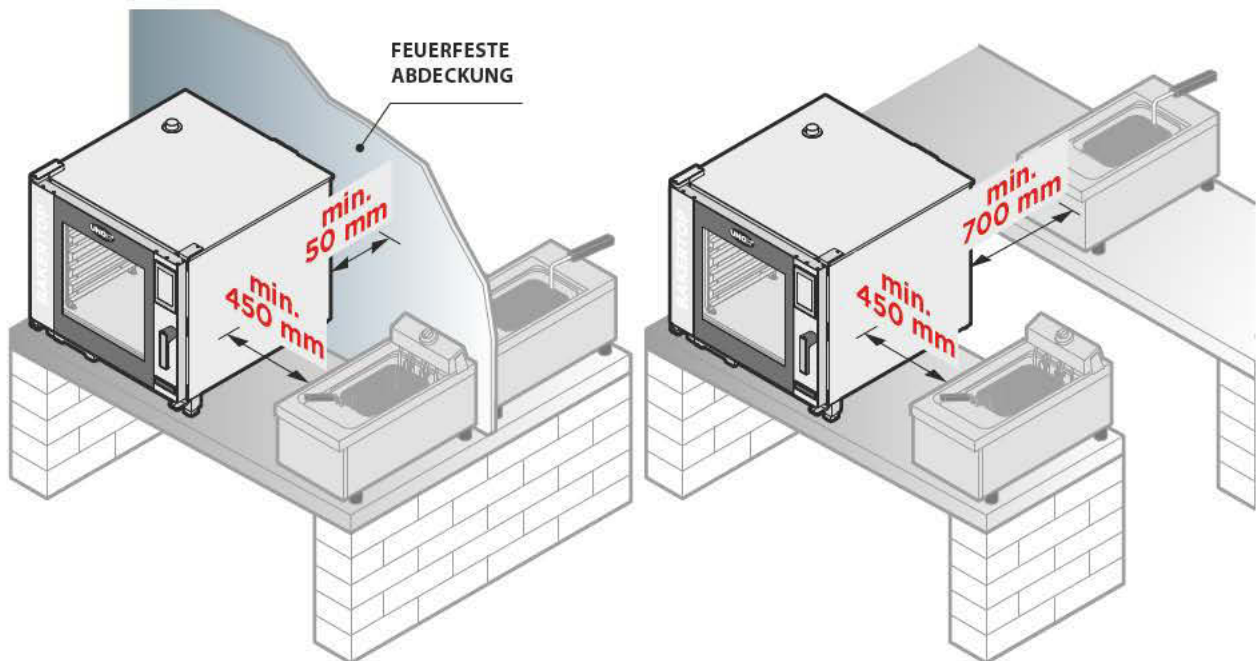
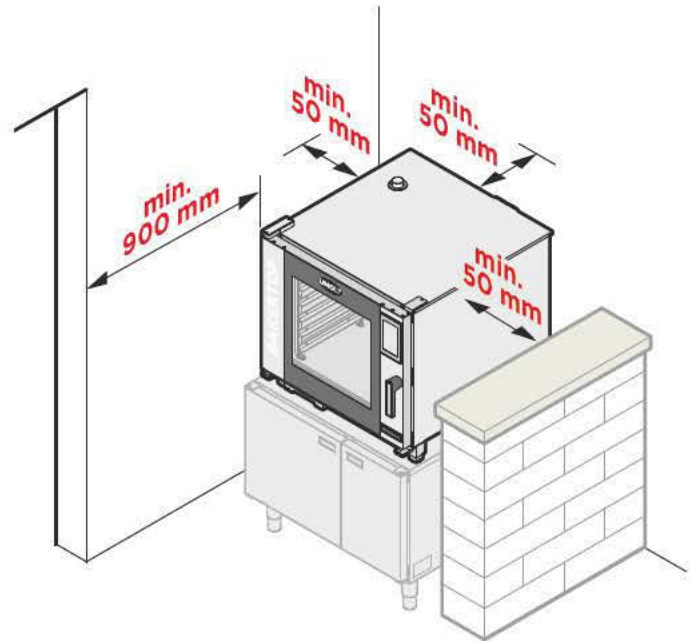


(1): Der Ausgang des Wandabzugs muss einen Luftspalt von mindestens 25 mm haben.

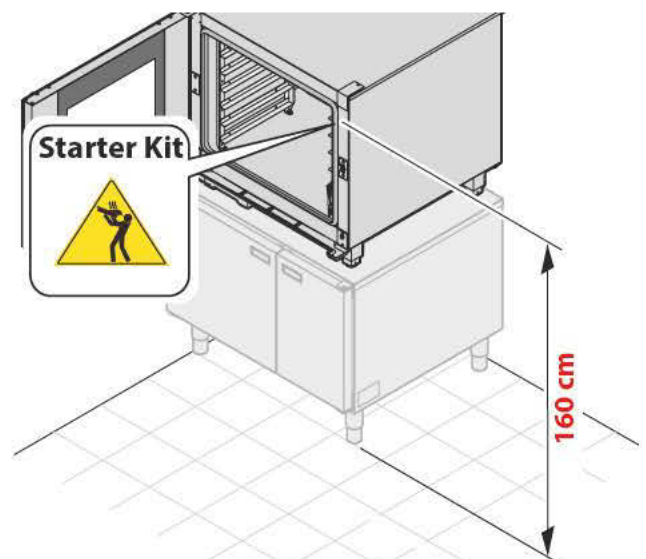
Einzuhaltende Abstände

Positionieren Sie das Gerät unter Beachtung der Abstände, die in der Abbildung angegeben werden. Die Rückwand muss leicht zugänglich sein, um die Anschlüsse zu erleichtern und um die Wartung zu ermöglichen.

⚠ Montieren Sie das Gerät nicht in der Nähe des Materials, der Wände oder in der Nähe von Möbeln, die leicht entflammbar oder hitzesensibel sind. Wenn dem nicht der Fall ist, schützen Sie sie mit adäquaten Materialien, die nicht entflammbar sind. Dabei müssen die Brandschutznormen beachtet werden.



⚠ Aus Sicherheitsgründen wird empfohlen, NICHT das letzte Blech in einer Höhe über 160 cm zu positionieren. Wenn das nötig sein sollte, **müssen Sie das Klebeband des "Starter Kits" in der in der Abbildung angegebenen Höhe anbringen.**



5

POSITIONIERMODUS - AUFSATZÖFEN

Die Tischöfen können wie folgt positioniert werden:

- auf Rädern (mit Unox-Reifenset);
- auf dem Boden (mit Stellfuß-Set von Unox);
- auf eigenen Unterstrukturen oder UNOX-Strukturen;
- auf anderen UNOX-Geräten (**MAXI.Link**).

POSITIONIERUNG AM BODEN ODER AUF RÄDERN

Der Boden unter dem Gerät:

- darf nicht entflammbar oder hitzeanfällig sein;
- muss perfekt nivelliert sein;
- muss eine regelmäßige und ebene Oberfläche haben;
- muss das Gewicht des Geräts mit voller Ladung aushalten, ohne sich zu verformen oder abzusinken.

Positionierung am Boden

- Das Gerät NICHT direkt auf den Boden stellen. Entfernen Sie die Kunststofffüße und montieren Sie die Stahlfüße H. 150 mm von UNOX. Für weitere Informationen zur Montage der Stellfüße, siehe Anweisungen in der Verpackung des Sets.

Positionierung der Räder

- ⚠ Verwenden Sie zur Bewegung ausschließlich ein Set UNOX-Reifen und folgen Sie der Anleitung in der Verpackung des Bausatzes selbst.

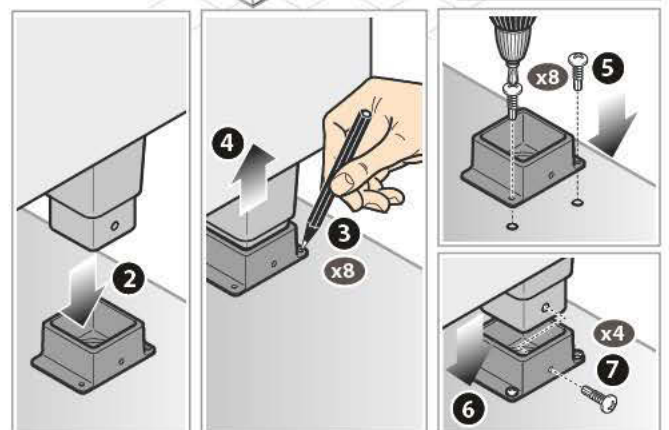
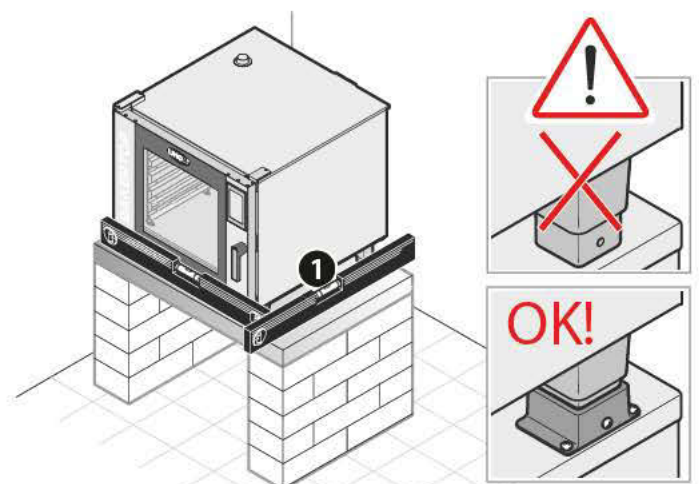
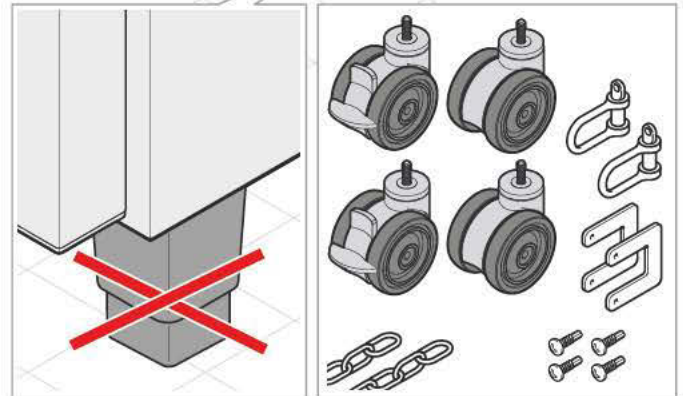
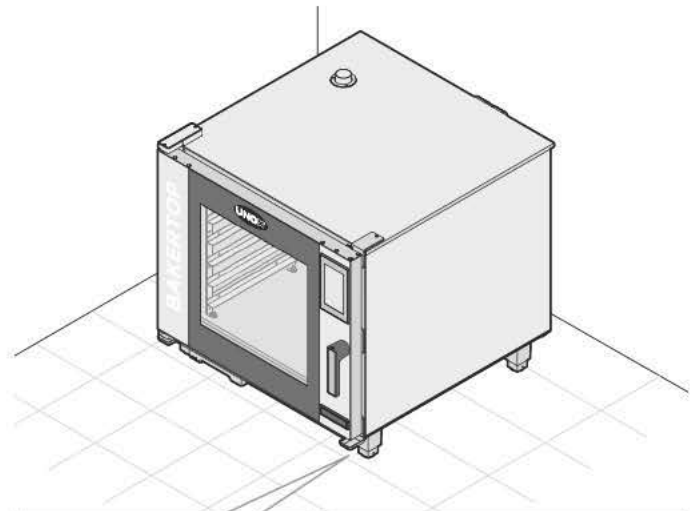
POSITIONIERUNG DER UNTERSTRUKTUR

- ⚠ Vor der Fixierung der eigenen Unterstruktur oder der Unterstruktur von UNOX kontrollieren Sie immer die perfekte Ausrichtung mit einer Wasserwaage oder einer digitalen Waage. Wenn die Maschine nicht richtig ausgerichtet ist und die UNOX-Unterstruktur verwendet wird, können Sie die Stellfüße verwenden, ohne sie komplett abzuschrauben.

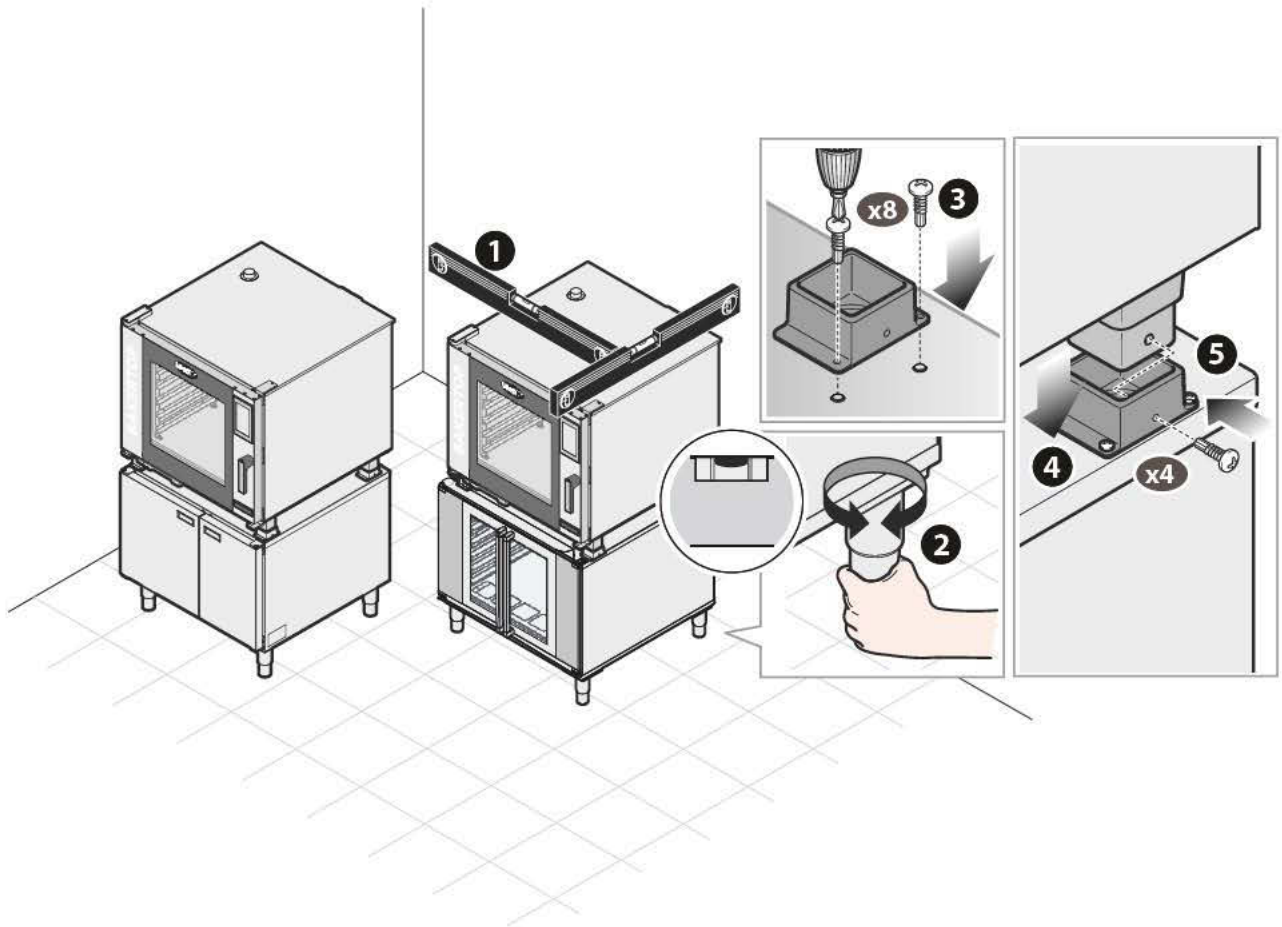
Fixierung der Unterstruktur durch den Nutzer (z.B. Stahltische, usw....)

Die Unterstrukturen müssen:

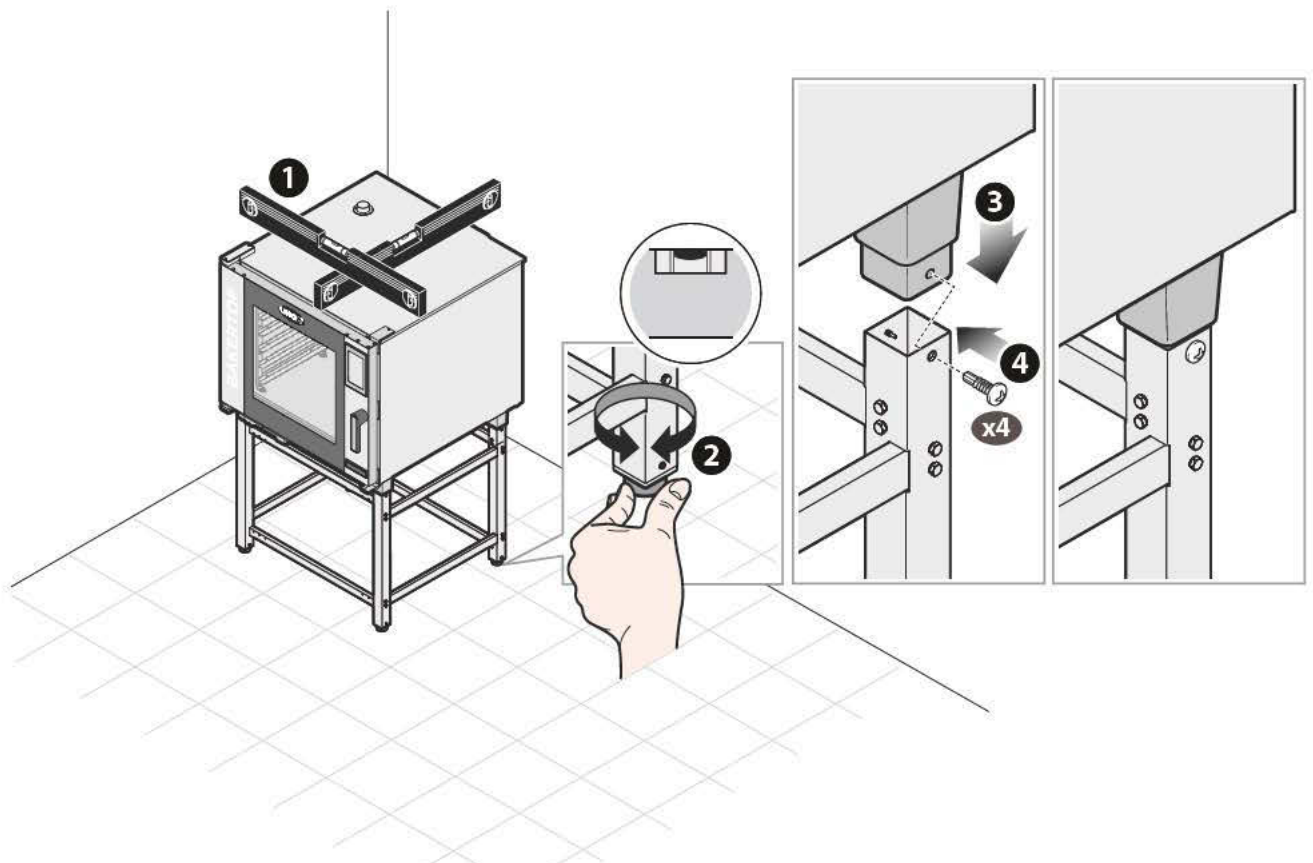
- stabil und perfekt ausgerichtet sein;
- nicht beweglich sein;
- darf nicht entflammbar oder hitzesensibel sein;
- das Gewicht des Geräts mit voller Ladung aushalten, ohne sich zu verformen oder abzusinken.



Befestigung auf UNOX-Unterstruktur
(Gärschränke oder Unterbauschränke)



Befestigung auf UNOX-Unterstruktur
(Stand oben offen)



POSITIONIERUNG BEIM AUFBAU AUF ANDERE GERÄTE (MAXI.LINK)

Wenn mehrere Geräte übereinander gestellt werden, verwenden Sie das UNOX-Set zum Aufbau.

Dieses garantiert den richtigen Abstand zwischen den Geräten und erleichtert die Strom-, Wasser- und Abwasseranschlüsse.

Zur Montage des Sets zum Aufbau, siehe Anleitung in der Verpackung des Sets selbst.



Niemals den Ofen direkt auf einen anderen Ofen oder auf andere Hitzequellen stellen.



Die Spülmittelkanister müssen, wenn vorgesehen, immer unter dem untersten Gärschrank oder Ofen installiert werden!



Das Set zum Aufbau umfasst ebenfalls ein RJ45-Kabel, ein Siphon und einen T-Wasseranschluss für mehrere Geräte mit einem einzigen Wasseranschluss.

Einige Beispiele von Zusammenstellungen:

XEBC-10EU-EPxM



XEBC-10EU-EPxM

XEBC-06EU-EPxM



XEBPC-12EU-B

XEBC-06EU-EPxM



XEBPC-12EU-B

XEBC-10EU-EPxM



XEBPC-12EU-B

6 POSITIONIERUNG STANDÖFEN MIT/OHNE WAGEN

Die Öfen dieser Art dürfen nur auf Böden gestellt werden, die die folgenden Eigenschaften haben:

- darf nicht entflammbar oder hitzeanfällig sein;
- muss perfekt nivelliert sein;
- muss eine regelmäßige und ebene Oberfläche haben;
- muss das Gewicht des Geräts mit voller Ladung aushalten, ohne sich zu verformen oder abzusinken.

Nivellierung des Geräts

1 Kontrollieren Sie, dass die Länge der Diagonalen in der Ofenkammer identisch ist: Wenn dem nicht so ist, bedeutet das, dass das Gerät nicht richtig nivelliert ist. -> 2 Nivellieren Sie durch Verstellung der 4 Stellfüße wie folgt:

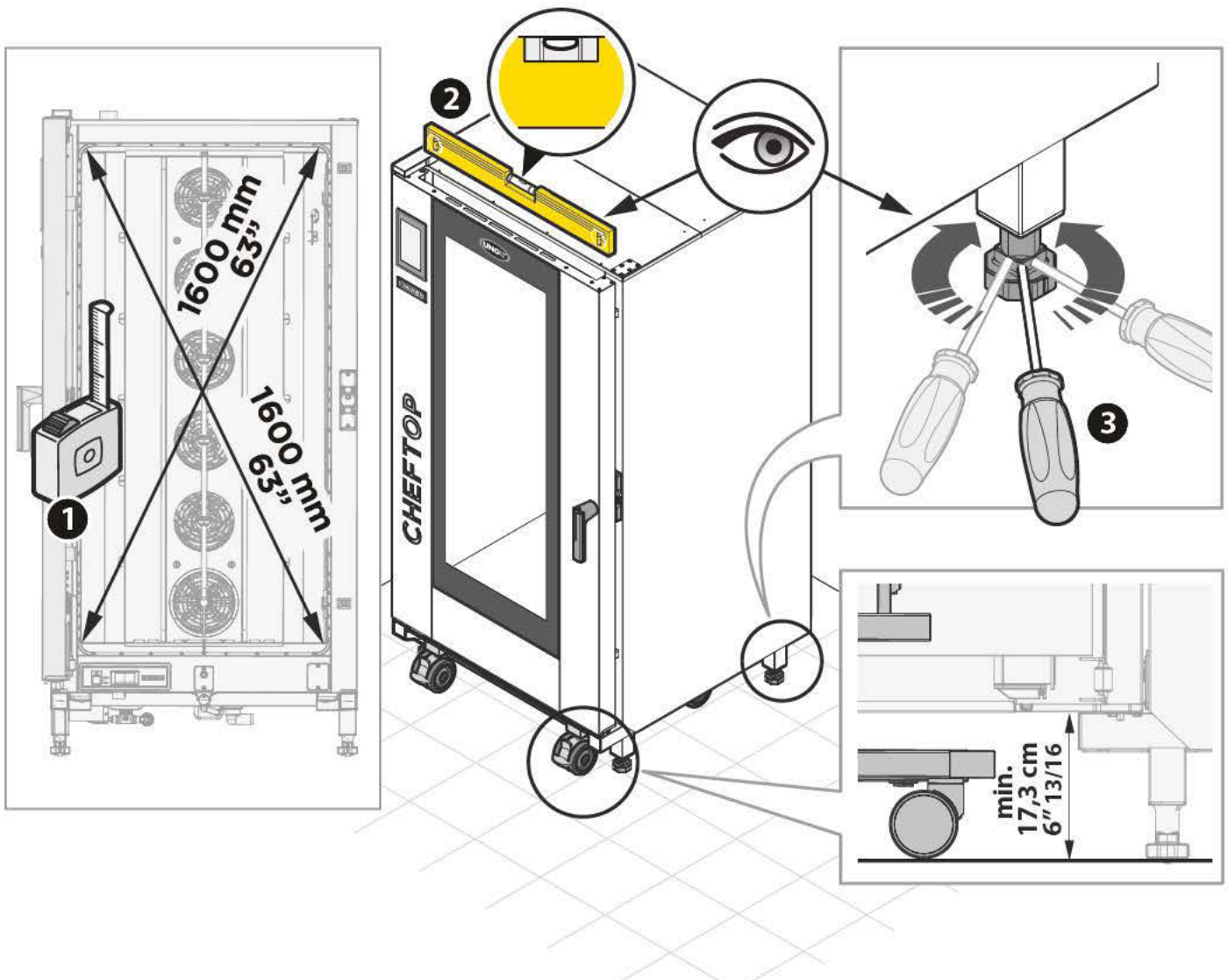
- Die vorderen Füße müssen so eingestellt werden, dass das Gerät frontal zwischen der rechten und linken Seite ausgerichtet ist;
- Die hinteren Füße müssen eingestellt werden, um übermäßige Neigungen zu reduzieren.

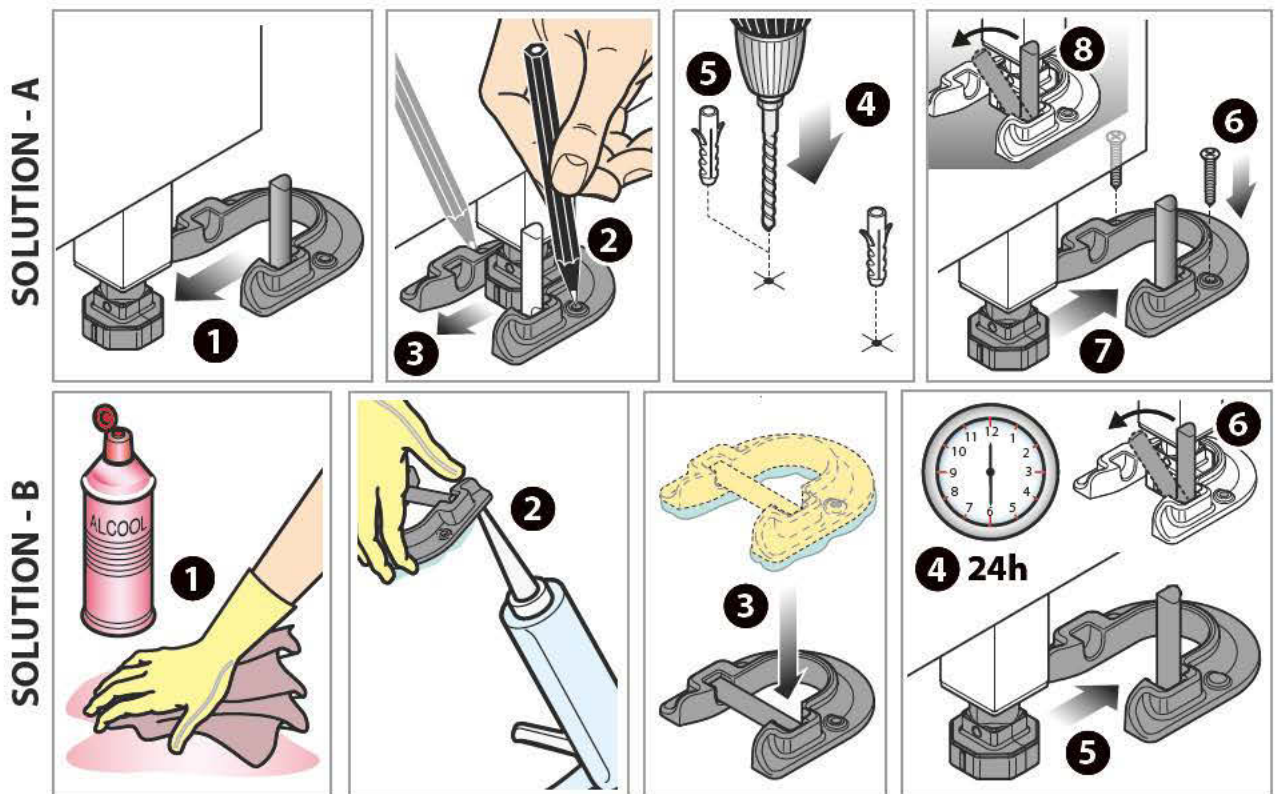
Um den Wagen leicht einführen zu können, muss die Mindesthöhe vom Boden 17,3 cm sein.

Nach der Nivellierung kontrollieren Sie, dass der Wagen problemlos in die Ofenkammer eingeführt werden kann, ohne dass Hindernisse auftreten (z.B. Rauheit des Bodens). Er darf nicht auf der unteren Oberfläche der Backkammer entlasscharben.

Wenn nötig, die Höhe an den Stellfüßen nachstellen.

! Befestigen Sie abschließend die beiden hinteren Halterungen zwingend am Boden, um ein Umkippen des Geräts zu verhindern (siehe folgende Abb.).

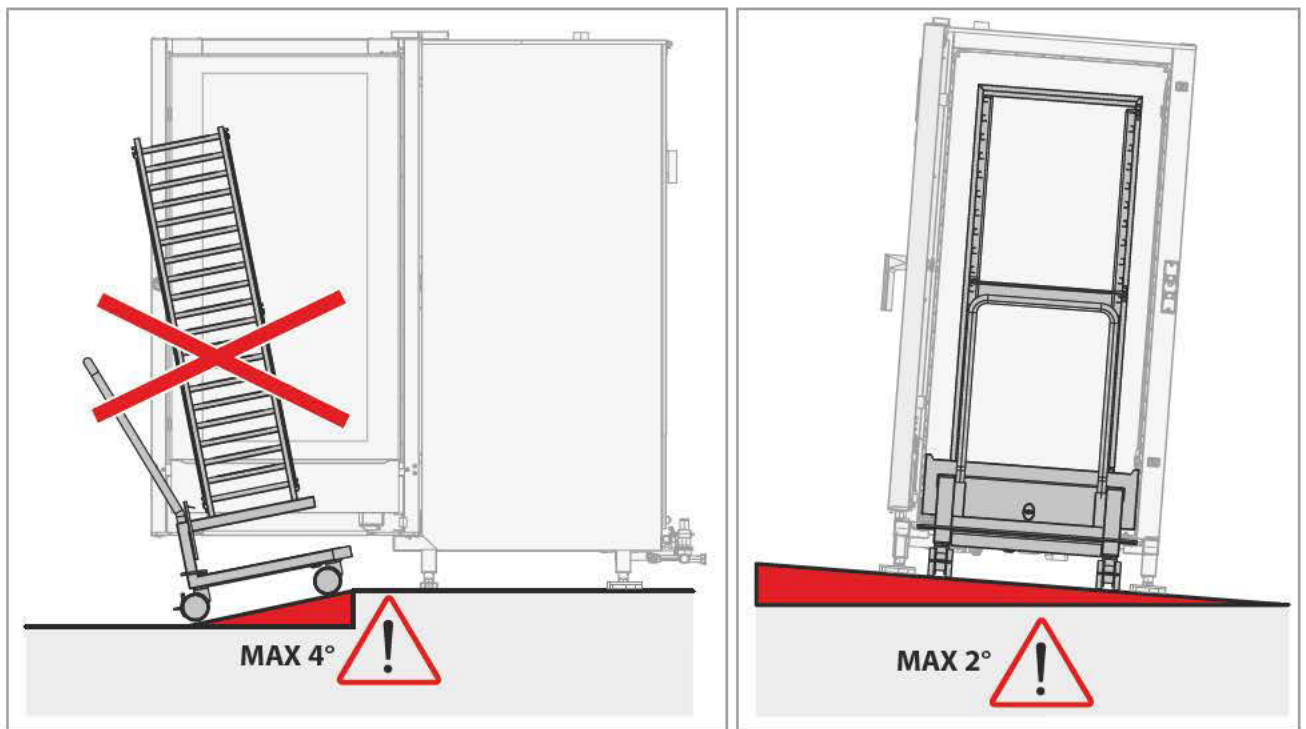




NUR FÜR BODENÖFEN MIT WAGEN:

Wenn der Boden nicht perfekt eben ist, verwenden Sie zur Vereinfachung der Wageneinführung eine Eingangsrampe mit einer maximalen Neigung von 4°. Die maximal zulässige Neigung des Bodens ist 2°.

⚠ Durch diese Winkel können beim Einführen / Herausziehen des Wagens die Flüssigkeiten im Backblech austreten und zu Verbrennungen zu führen.

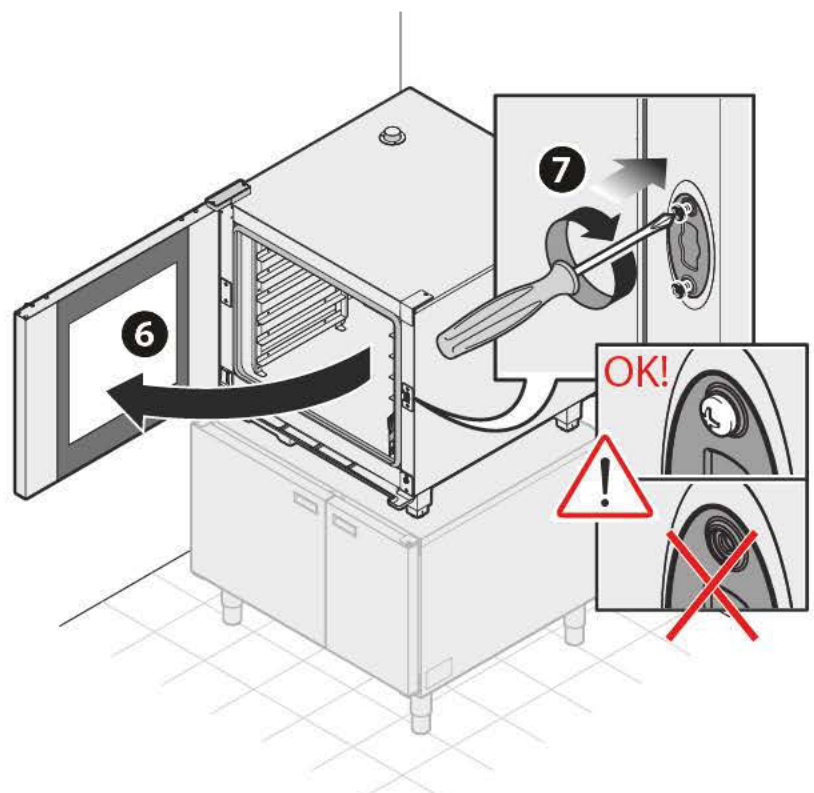
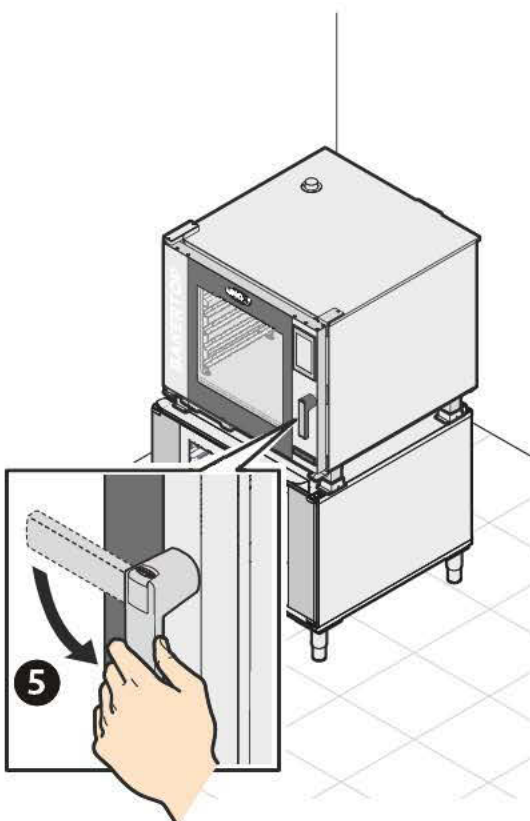
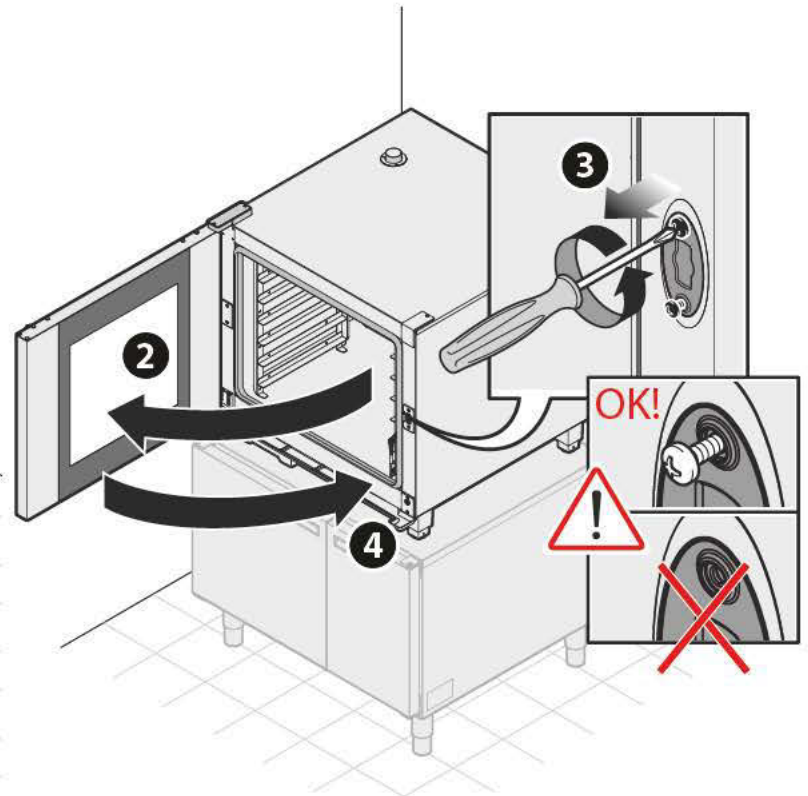
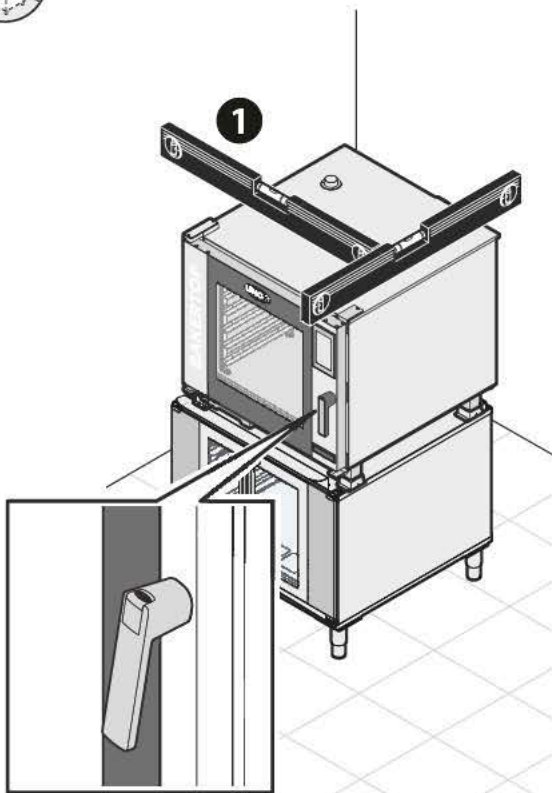


EINSTELLUNG DER TÜRSCHLIESSUNG


Wenn sich der Griff nach Positionierung des Ofens nicht richtig in vertikaler Position schließt, gehen Sie wie folgt vor:


- ① Kontrollieren Sie die perfekte Nivellierung des Geräts mit einer Wasserwaage oder mit einer digitalen Waage.
- ② - ⑦ Wenn das Gerät ausgerichtet ist, bringen Sie die Schließklappen wie in den folgenden Abbildungen an.


Wenn das Problem weiterhin besteht, wiederholen Sie die Sequenz und lösen Sie weiter die Fixierschrauben der Schließklappen.




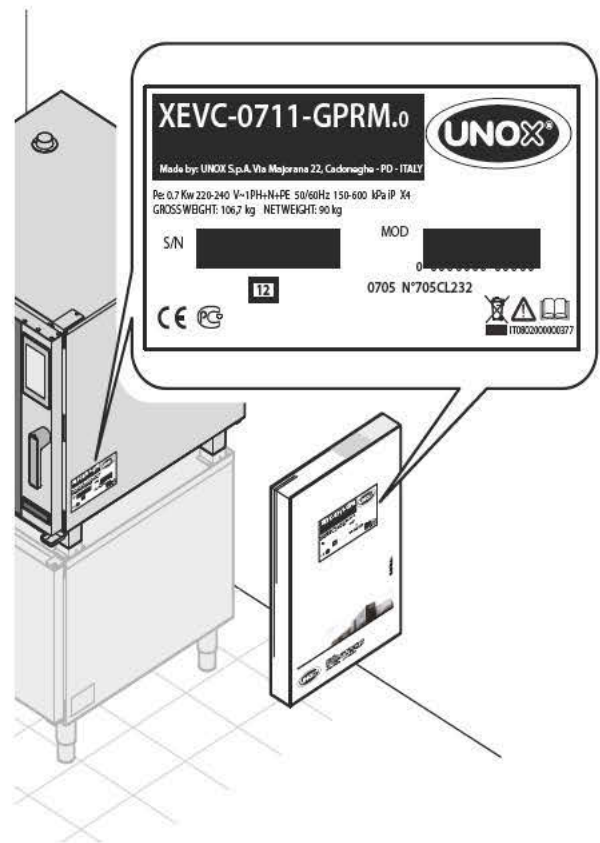
7 ELEKTRISCHE ANSCHLÜSSE

 Vor der Montage des Geräts lesen Sie aufmerksam das Kapitel "Sicherheitsnormen zur Montage" auf Seite 5.

 Der Anschluss an das Stromnetz und die Anschlussanlagen müssen den im Land, in dem das Gerät montiert wird, geltenden Bestimmungen entsprechen und von qualifiziertem und von UNOX befugtem Fachpersonal durchgeführt werden. Wenn diese Bestimmungen nicht beachtet werden, kann es zu Schäden, Verletzungen oder auch zu Todesfällen kommen. Die Garantie entfällt in diesem Fall und entbindet UNOX von jeglicher Verantwortung.

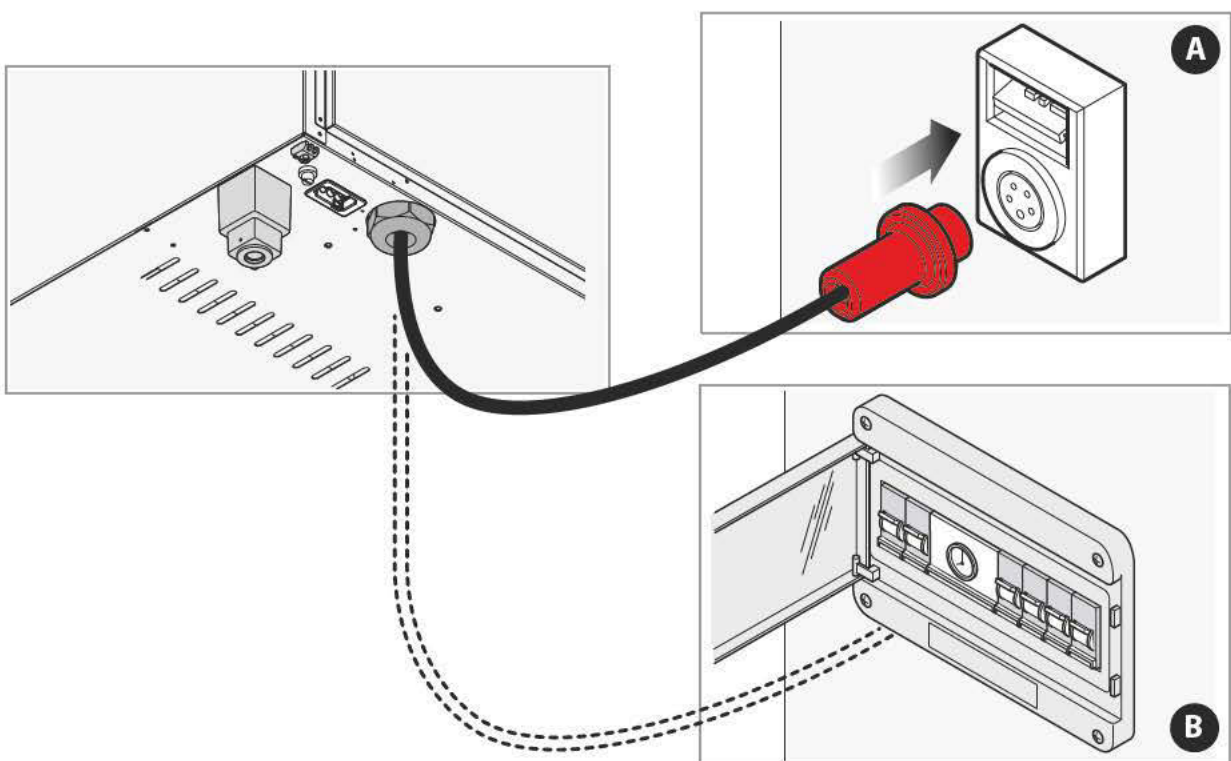
 Bevor das Gerät an das Versorgungsnetz angeschlossen wird, immer die Daten der Anlage mit den Daten des Geräts auf dem Datenschild vergleichen.

 Um Gefahren durch das versehentliche Laden des thermischen Ausschalters zu verhindern, darf das Gerät nicht von einem extern bedienbaren Gerät versorgt werden, wie ein Zeitschalter oder ein regelmäßig versorgtes oder nicht versorgtes Netz.



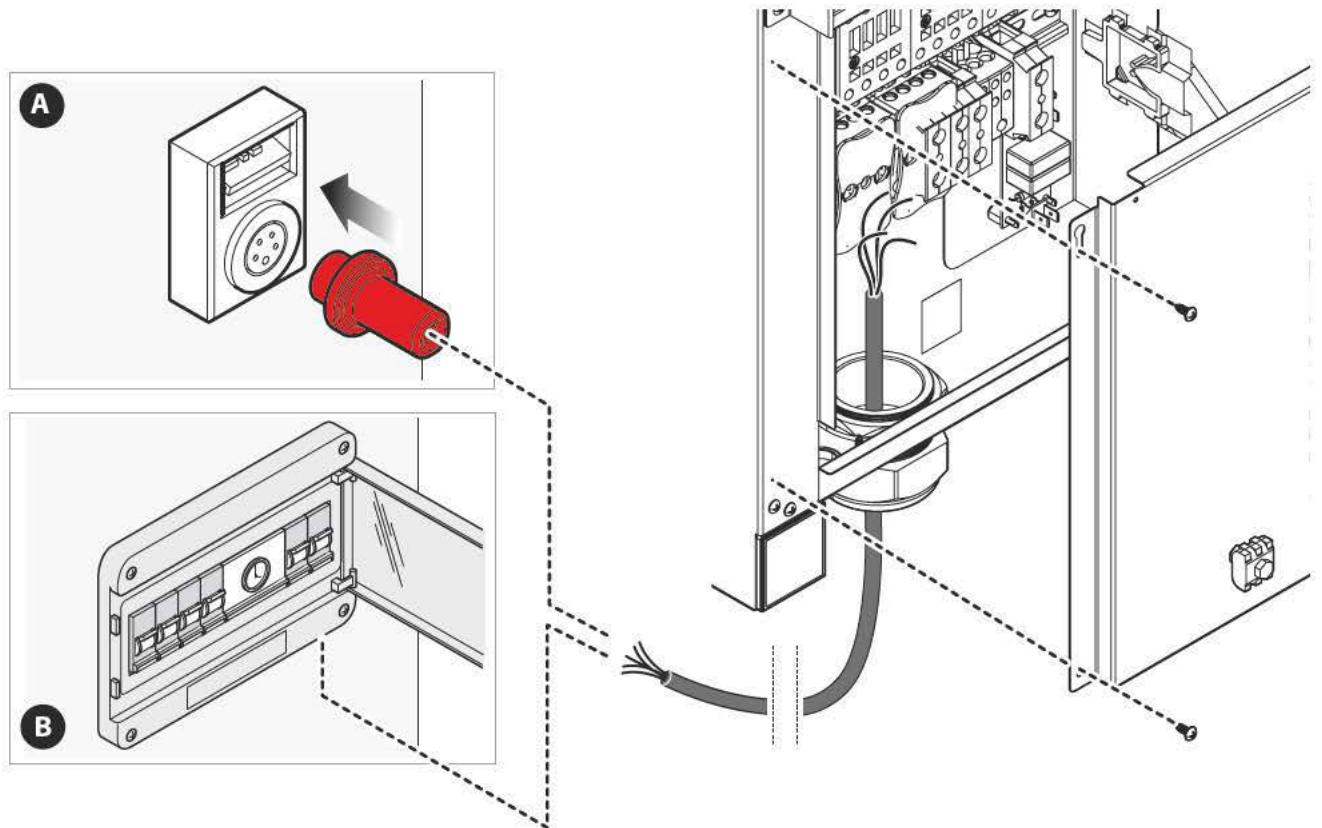
Die Aufsatzöfen verlassen das Werk mit einem schon am Klemmbrett montiertem Stromkabel: andere Stromanschlüsse oder Veränderungen an der Kabelgröße sind unzulässig. Die Kabel dürfen nur verlängert werden, wenn ein Kabel mit den gleichen Eigenschaften (Gummi, Kabelschnitt, usw.) verwendet wird: Alle Daten sind auf dem Blatt „Technische Daten“, das mit dem Gerät geliefert wird, aufgeführt.

Der Stromanschluss erfolgt, indem ein Stecker (nicht geliefert) montiert wird. Er muss eine adäquate Förderleistung zum maximal aufgenommenen Strom der Ofenphasen **A** haben (siehe Blatt "Technische Daten" anbei). Wenn das nicht möglich ist, reicht die Verkabelung von UNOX aus, um einen direkten Anschluss am Schaltschrank durchzuführen **B**.





Die Standöfen BIG verlassen das Werk ohne Stromkabel: Der Installateur muss dann die Rückseite des Geräts entfernen und ein Kabel mit den Eigenschaften anschließen, die im Blatt „Technische Daten“, das dem Gerät beigelegt ist, an der Klemmleiste angegeben sind.

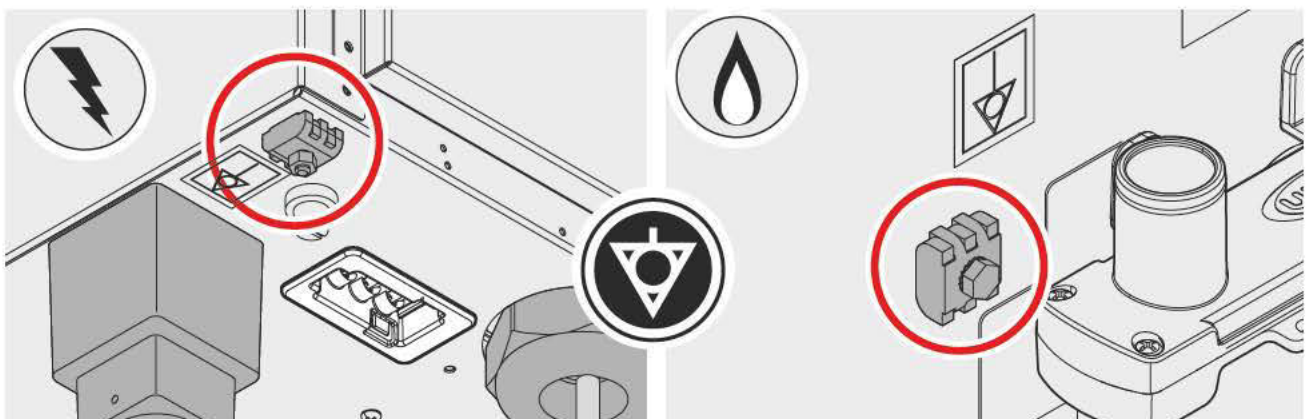
Anschließend einen Stecker (nicht geliefert) montieren, der vom Typ und von der Stromfestigkeit der maximalen Stromaufnahme der Phase des Ofens entspricht **A** (siehe das beigelegte Blatt „Technische Daten“). Wenn dies nicht möglich ist, schließen Sie das Gerät an einen Schaltschrank **B** an.



DE

Für einen korrekten elektrischen Anschluss müssen sowohl die Aufsatzöfen als auch die Standöfen:

- in eine **Potentialausgleichsanlage** gemäß den geltenden Normen eingeschlossen sein. Dieser Anschluss muss zwischen verschiedenen Geräten an der Klemmleiste mit dem Potentialausgleichssymbol  durchgeführt werden. Der Leiter muss einen maximalen Kabelschnitt von 10 mm² haben (gemäß der Norm IEC EN 60335-2-42:2003-09) und muss mit den Farben Gelb/Grün gekennzeichnet sein.
- an die **Erdungsleitung**  des Netzes angeschlossen sein (gelb/grünes Kabel).
- an einen **Thermoschalter** gemäß der geltenden Norm angeschlossen sein (0,03 Typ A);
- an einen **allpoligen Schaltmechanismus** angeschlossen sein, der ein komplettes Abschalten unter Bedingungen der Überspannungskategorie III ermöglicht.



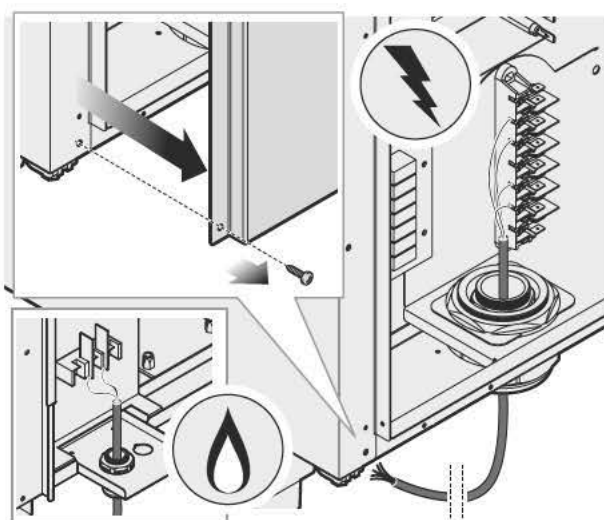
Durchzuführende Kontrollen

- Die Kupferbrücke und das Stromkabel müssen zusammen unter einer Schraube durch Anschrauben fixiert und die Stromanschlüsse müssen gut festgezogen werden, bevor das Gerät an das Stromnetz angeschlossen wird.
- Kontrollieren Sie, dass zum einen keine elektrische Steuerung zwischen den Phasen und dem Erdungskabel und zum anderen die elektrische Kontinuität zwischen der Kiste und dem Erdungskabel des Netzes vorliegen.
- Kontrollieren Sie die Versorgungsspannung, wenn das Gerät in Betrieb ist, so dass diese nicht von der Nennspannung, die auf dem Datenschild angegeben ist, abweicht. Wenn dem nicht der Fall ist, verkabeln Sie die Phasen unter Beachtung der Daten auf dem Blatt „Technische Daten“ anbei.

Anpassung an andere Spannungen

Für Anforderungen der Spannung und Versorgung, die von den Standard-Werten abweichen, muss das vorhandene Versorgungskabel ausgetauscht und das neue Kabel an die Klemmleiste angeschlossen werden. Achten Sie dabei auf die Schemata im Blatt "Technische Daten" (Stromversorgung - Anschlussdiagramm) im Anhang zum Gerät.

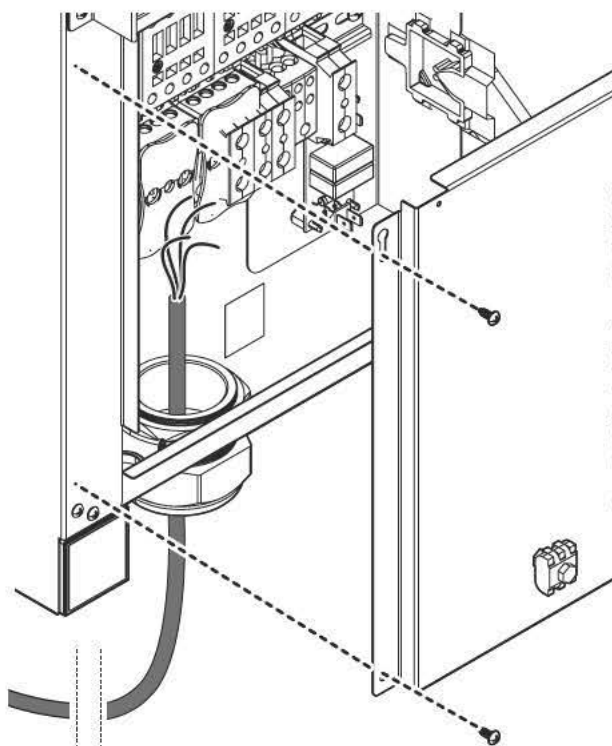
Austausch des Versorgungskabels



Aufsatzöfen

! Das Kabel muss von UNOX, vom technischen Kundendienst oder von qualifiziertem Fachpersonal ausgetauscht werden, um jegliche Gefahr zu verhindern. Wenn der Austausch des Versorgungskabels nötig ist, gehen Sie wie folgt vor:

- das Rückpaneel vom Ofen entfernen und das Kabel vom Klemmbrett lösen.
- siehe das Blatt „Technische Daten“ (Anschlussdiagramm/Power supply-Connection Diagram): Auf dem Blatt sind alle möglichen Verkabelungen und alle technischen Daten angegeben, die das neue Kabel je nach ausgewähltem Anschluss haben muss (Cable Type);
- befestigen Sie erneut das Kabel mit dem jeweiligen Kabelhalter.
- das rückwärtige Ofenpaneel schließen.



Standöfen BIG



0,5 mm

8

GASANSCHLUSS (NUR FÜR GASÖFEN)



Vor der Montage des Geräts lesen Sie aufmerksam das Kapitel "Sicherheitsnormen zur Montage" auf Seite 5.



Der Anschluss an das Gasversorgungsnetz und die Anschlussanlagen müssen den im Land, in dem das Gerät montiert wird, geltenden Normen entsprechen und von qualifiziertem und von UNOX befugtem Fachpersonals durchgeführt werden. Wenn diese Normen nicht beachtet werden, kann es zu Schäden, Verletzungen oder auch zu Todesfällen kommen. Die Garantie entfällt in diesem Fall und entbindet UNOX von jeglicher Verantwortung.

Anschluss an das Netz der Gasanlage

Das Gerät wird im Werk für folgende Funktionen eingestellt, ausgelegt und abgenommen:

- Methangas (G20)
- Nenndruck des Versorgungsnetzes (am Eingang des Gasventils) von 5-35mbar
- Maximaldruck am Netzeingang von 40 mbar (4 kPa)
- Max. Druckabfall bei Zündung = 5 mbar

Vor dem Anschluss kontrollieren Sie, dass das verfügbare Gas und der Druck mit den oben aufgeführten Daten konform sind: Diese Daten werden auch auf dem Schild "DATENSCHILD GAS" auf der Seite des Ofens aufgetragen. Der weibliche Anschluss zum Anschließen des Netzes an die Gasanlage befindet sich am unteren Teil des Ofens: Der Anschluss erfolgt über einen Schlauch. Ein Sperrhahn wird der Anlage vorgeschaltet (nicht geliefert).

! Versichern Sie sich, dass das Gasrohr nicht in der Nähe von heißen Zonen entlang läuft oder dass es nicht verdreht, gequetscht oder zu starken Zügen ausgesetzt ist.

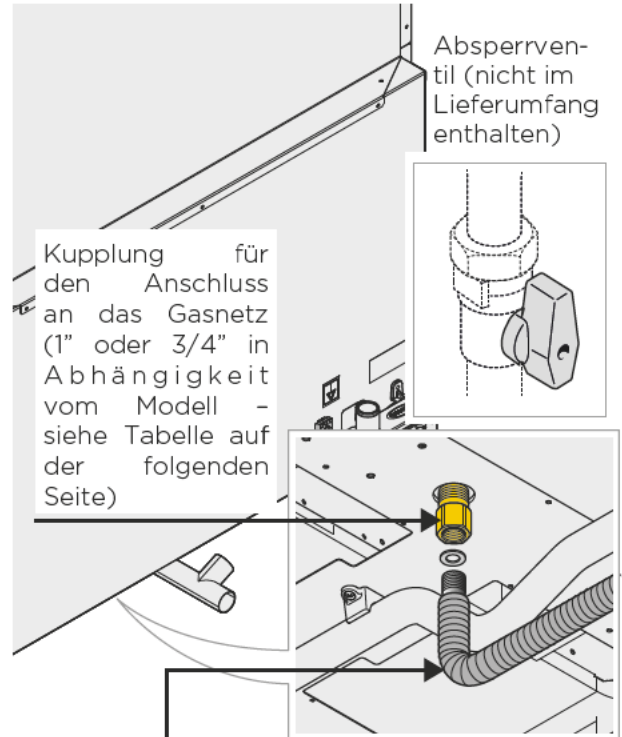
! Die Gasanlage und alle Anschlusskomponenten müssen aufeinander abgestimmt sein und die in dem Montageland geltenden Normen müssen beachtet werden.

! Die mit Lack rot versiegelten Teile dürfen nicht verändert werden!

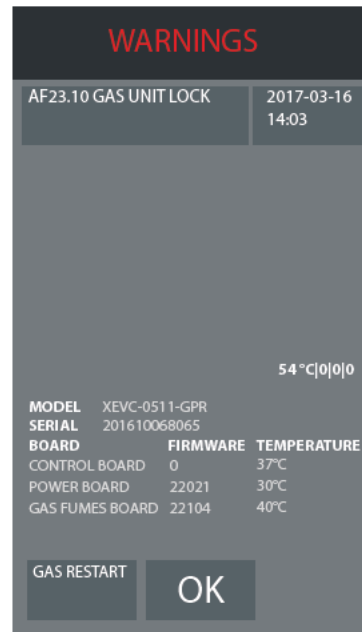
! Der Ofen muss nach einem GAS-Fehler zurückgesetzt werden. Drücken Sie dazu die Taste "REARM" auf dem Display und im Anschluss die OK-Taste.

! Bei der Verwendung des Gerätes in großen Höhen ist keine besondere Einstellung erforderlich.

Die Gaszuleitung (Rohr oder Schlauch) muss den geltenden Bestimmungen des Installationslandes entsprechend, regelmäßig überprüft und bei Bedarf umgehend ersetzt werden.



flexibler Schlauch (nicht im Lieferumfang enthalten)



BAKERTOP MIND.Maps™ PLUS

Ofen-Code	Anschluss Innengewinde	P max [kW]						
		G110	G20	G25	G25.1	G25.3	G30	G31
XEBC-06EU-GPxM	3/4"	16	19	19	19	19	19	19
XEBC-10EU-GPxM	3/4"	20	25	24	23	21	25	25
XEBL-16EU-GPxS	3/4"	39	48	48	48	48	48	48

CHEFTOP MIND.Maps™ PLUS

Ofen-Code	Anschluss Innengewinde	P max [kW]						
		G110	G20	G25	G25.1	G25.3	G30	G31
XEVC-0511-GPxM	3/4"	13	15	15	15	15	15	15
XEVC-0711-GPxM	3/4"	16	19	19	19	19	19	19
XEVC-1011-GPxM	3/4"	17	22	22	22	22	22	22
XEVL-2011-GPxS	3/4"	39	48	48	48	48	48	48
XEVC-0621-GPxM	3/4"	16	24	23	22	22	24	24
XEVC-1021-GPxM	3/4"	23	35	31,5	31,5	31,5	35	35
XEVL-2021-GPxS	1"	-	90	86	86	86	90	90

WASSERANSCHLÜSSE

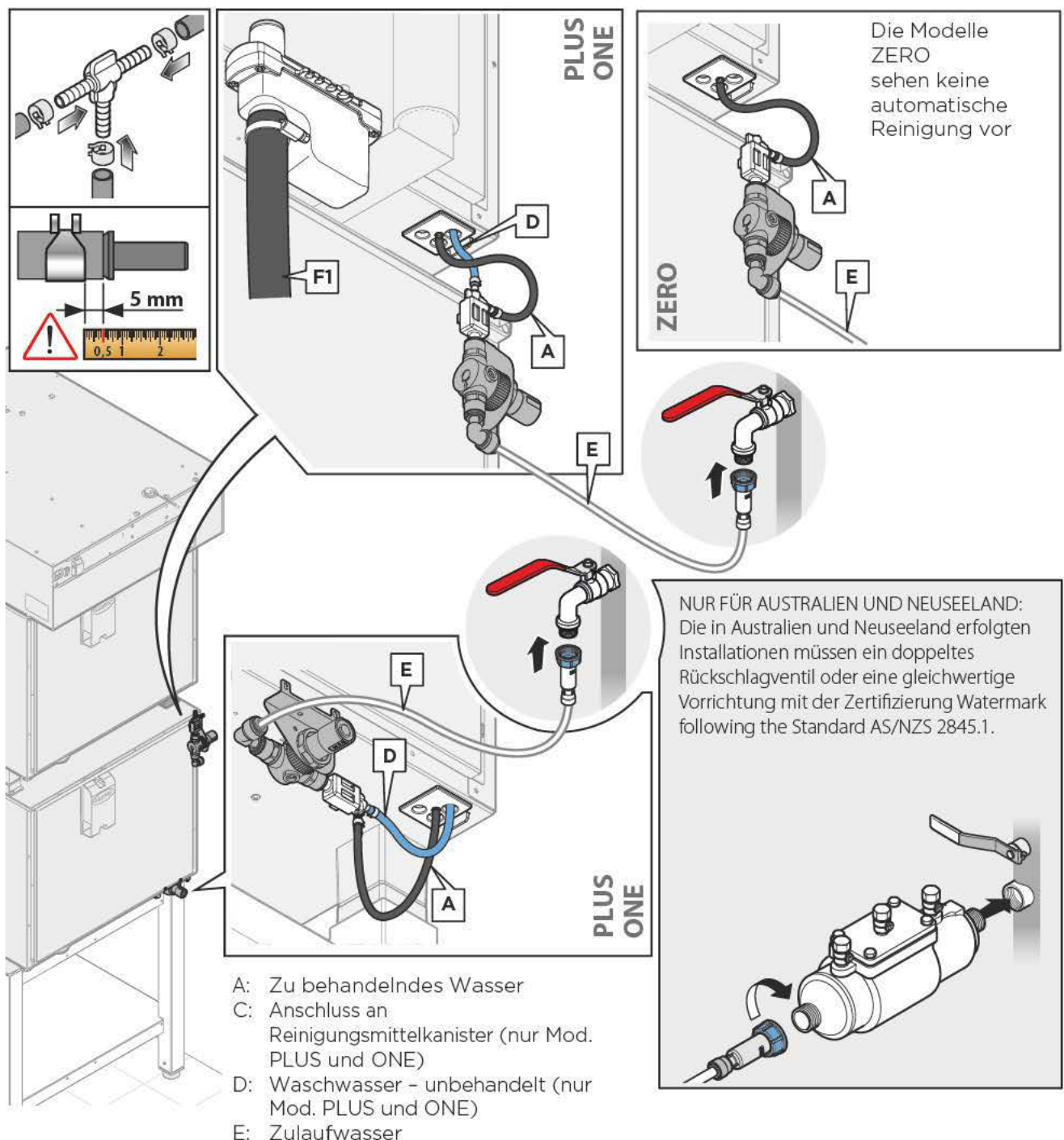
Wasseranschlüsse: Wassereingänge

Das Gerät besteht im hinteren Teil aus:

- 1,5 Meter Rohr, mechanischer Filter, Druckminderer und Anschluss (3/4") mit Rückschlagventil zum Anschluss an das Wassernetz. Vor dem Anschluss der Wasserleitung an das Gerät lassen Sie das Wasser abfließen, um eventuelle Risiken zu verhindern. Sie sollten zwischen das Wassernetz und das Gerät einen Sperrhahn schalten;
- zwei Anschlüsse für das eventuelle Zubehör zur Behandlung des Wassers (**UNOX.Pure** oder **UNOX.Pure-RO**). Für den Anschluss siehe die Anleitung, die der Verpackung des Zubehörs beiliegt. Keine harzhaltige Wasserenthärtung mit Ionenaustauscher verwenden.
- Leitung zur Aufnahme von Reinigungsmitteln zur Reinigung der Ofenkammer (wenn vorgesehen);

+ Zur einfachen Verbindung eines multiplen Wasseranschlusses an den übereinanderstehenden Öfen (Säule) (**MAXI.Link**), den "T"-Anschjuss des UNOX-Sets zum Aufbau von übereinanderstehenden Geräten verwenden.

! Verwenden Sie nur das Set der neu mit dem Gerät gelieferten Dichtungen zum Anschluss an das Wassernetz. Die schon verwendeten Dichtungen dürfen nicht nochmals verwendet werden.



EIGENSCHAFTEN DES EINFLIESSENDEN WASSERS

⚠ Schaden durch die Verwendung von Wasser, dessen Eigenschaften nicht den in diesem Kapitel spezifizierten Parametern entspricht, werden nicht von der Garantie abgedeckt.

Das einfließende Wasser muss:

- eine maximale Temperatur von 30 °C aufweisen;
- Trinkwasser sein;
- einen Druck zwischen 150 und 600 kPa aufweisen (empfohlen 200 kPa).

⊕ Verwenden Sie eine Pumpe mit angemessenem Durchsatz (min. Durchsatz 300 l/Std.), falls der Druck des einfließenden Wasser unter dem angegebenen Wert liegt (150 kPa). Die Öfen **CHEFTOP-BAKERTOP MIND. Maps™** weisen serienmäßig einen integrierten Druckminderer auf.

Spezifikationen für das Wasser für den STEAM-Kreislauf (Bedampfung der Ofenkammer)

- Freies Chlor ≤ 0,1 ppm
- Chloramine ≤ 0,1 ppm (mg/L)
- TDS ≤ 125 ppm
- Kieselerde ≤ 12 ppm
- pH 7 ÷ 8,5
- Gesamthärte (TH) ≤ 8 °d
- Chloride* ≤ 25 ppm
- Alkalinität ≤ 150 ppm als CaCO₃

* Der max. Chlorgehalt, Cl-, ist kein fester Wert, sondern er ist vom errechneten NHM-Wert (Non Hardness Measurement) abhängig.

$$\text{NHM} = \text{EC} - (\text{TH}^{**} \times 30)$$

EC = elektrische Leitfähigkeit [μS/cm]

TH = Gesamthärte** [° dH - deutsche Grade]

NHM ≤ 250 μS/cm	TH < 8°dH, Cl- ≤ 25 ppm (5 Tropfen Regenerierer*)	Keine Aufbereitung des Wassers
	TH < 8°dH, Cl- ≤ 25 ppm (5 Tropfen Regenerierer*)	UNOX.Pure
	Cl- > 25 ppm (5 Tropfen Regenerierer*)	UNOX.Pure-RO
NHM = 250 - 350 μS/cm	Cl- ≤ 20 ppm (4 Tropfen Regenerierer*)	UNOX.Pure
	Cl- > 20 ppm (4 Tropfen Regenerierer*)	UNOX.Pure-RO
NHM = 350 - 450 μS/cm	Cl- ≤ 15 ppm (3 Tropfen Regenerierer*)	UNOX.Pure
	Cl- > 15 ppm (3 Tropfen Regenerierer*)	UNOX.Pure-RO
NHM = 450 - 500 μS/cm	Cl- ≤ 10 ppm (2 Tropfen Regenerierer*)	UNOX.Pure
	Cl- > 10 ppm (2 Tropfen Regenerierer*)	UNOX.Pure-RO
NHM ≤ 500 μS/cm		UNOX.Pure-RO

* Den Regenerierer des Kits UNOX KSTR1081A verwenden ** Härte, gemessen mit dem Kit UNOX KSTR1082A

Falls die Wasserwerte für das Erzeugen von Feuchtigkeit von diesen Angaben abweichen, müssen Filter verwendet werden (**UNOX.Pure** oder **UNOX.Pure-RO**)

Falls die Installation von UNOX.Pure-RO notwendig ist, die folgende Tabelle beachten:

	1 Osmose	2 parallele Osmose	
1 Motor	√		
2 Motoren	< 15 dH < 450 μS/cm	> 15 dH	> 450 μS/cm
3 Motoren	< 10 dH < 300 μS/cm	> 10 dH	> 300 μS/cm

* dH = gesamte Härte H₂O

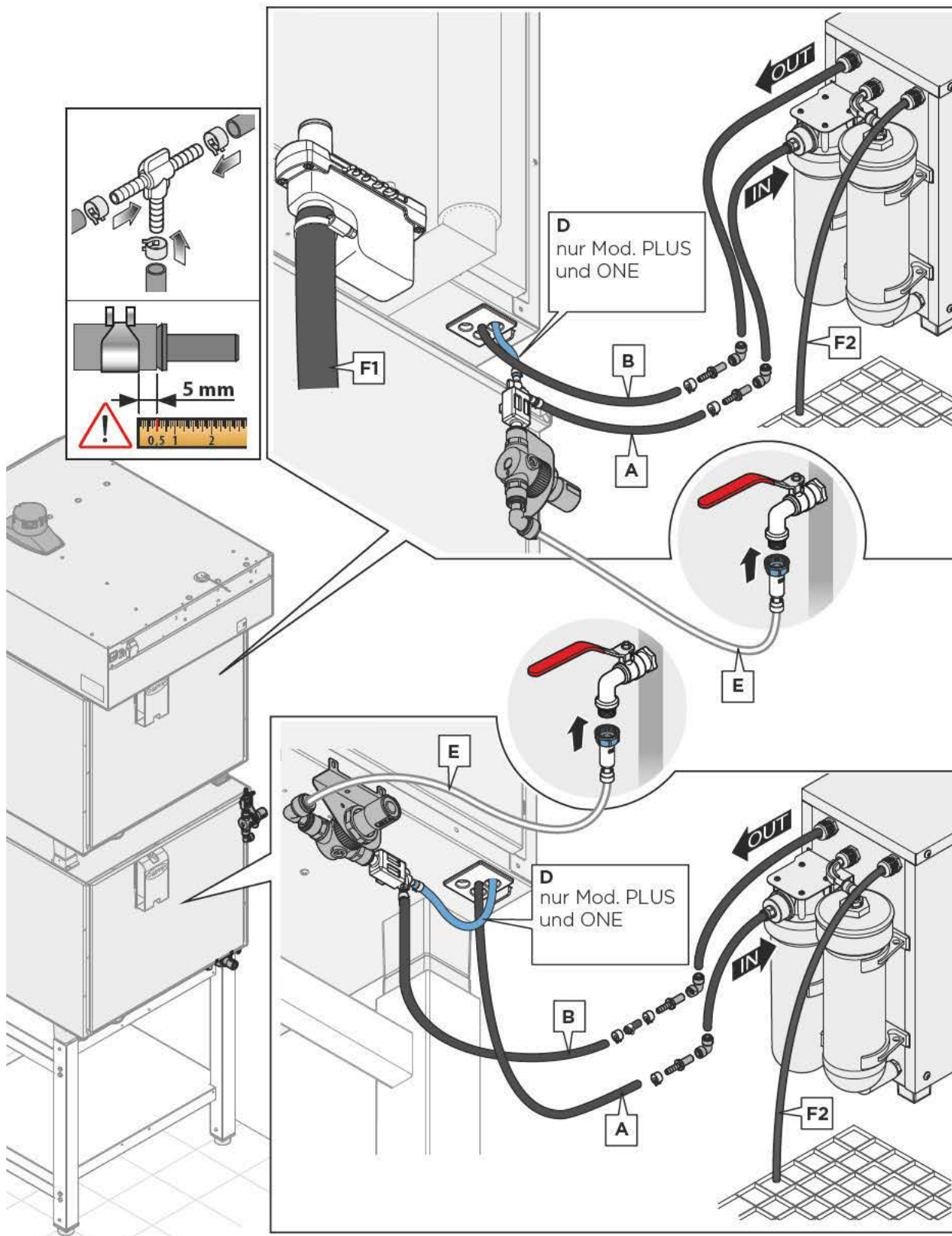
μS/cm = Leitfähigkeit H₂O

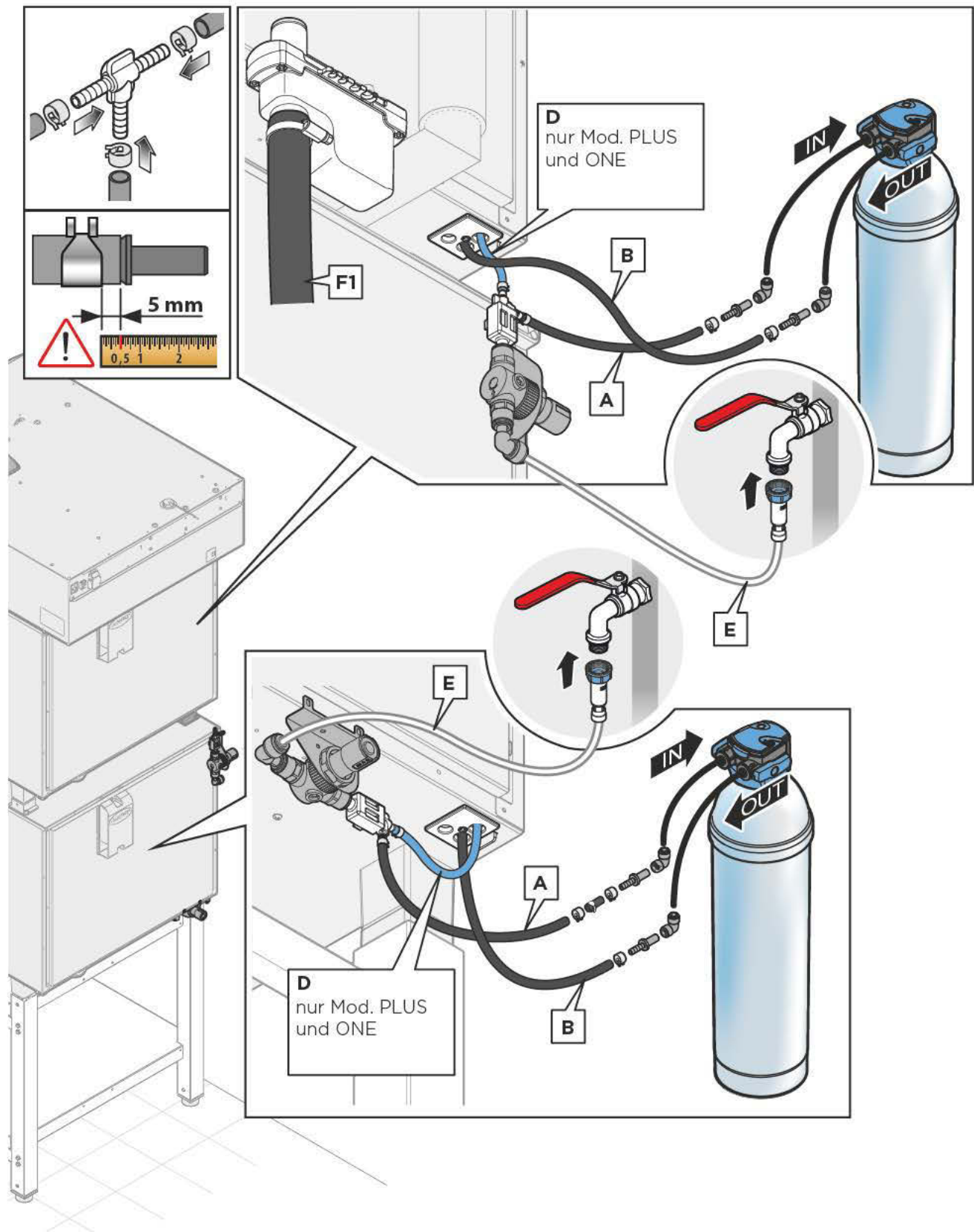
* Bei einer Gesamtwasserhärte von mehr als 25 dH ist eine Ionenaustauschharzbehandlung vor der Osmose erforderlich. Verwenden Sie kein Na⁺-Ionenaustauscherharz, wenn die Wasserleitfähigkeit größer als 450 μS/cm ist, da dies zu Korrosion des Glases führen kann.

Spezifikationen für das Wasser für den REINIGUNGS-Kreislauf (nur Mod. PLUS und ONE)

- Freies Chlor $\leq 0,1$ ppm
- Chloramine $\leq 0,1$ ppm
- TDS ≤ 125 ppm
- Kieselerde ≤ 12 ppm
- pH 7+ 8,5
- Gesamthärte (TH) ≤ 15 °d
- Chloride ≤ 35 ppm
- Alkalinität ≤ 200 ppm als CaCO_3

Falls die Wasserwerte für den Kreislauf REINIGUNG von diesen Angaben abweichen, muss das in das System zulaufende Wasser entsprechend behandelt werden.





- A: Zu behandelndes Wasser
- B: Wasser für die Dampfkammer - behandelt
- C: Anschluss an Reinigungsmittelkanister (nur Mod. PLUS und ONE)
- D: Waschwasser - unbehandelt (nur Mod. PLUS und ONE)
- E: Zulaufwasser
- F1: Geräteablauf
- F2: Ablauf UNOX.Pure-RO

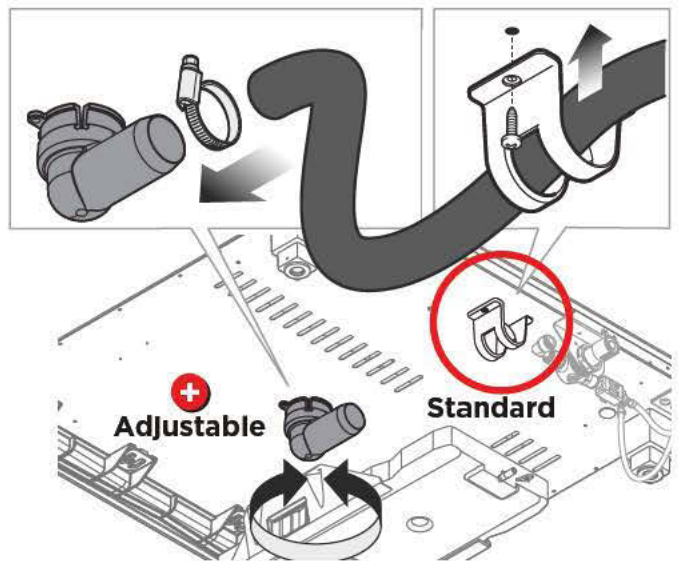
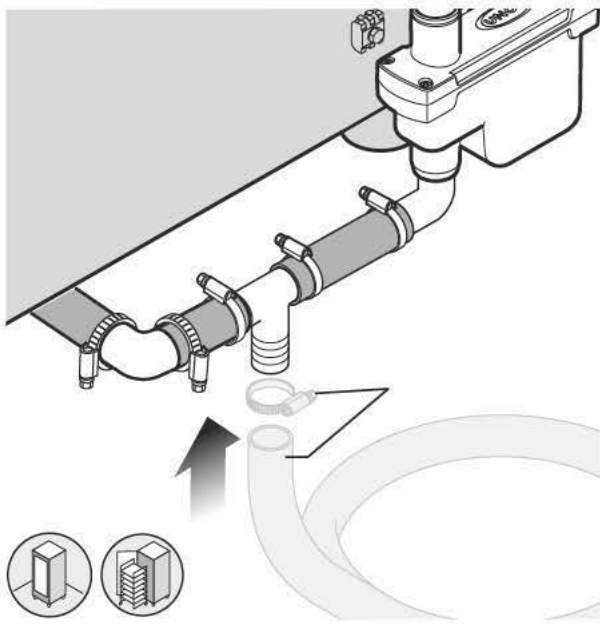
Wasseranschluss: Wasserabfluss

Der Ablauf befindet sich:

- im unteren Teil des Tischofens
- im hinteren Teil der Bodenöfen mit / ohne Wagen.

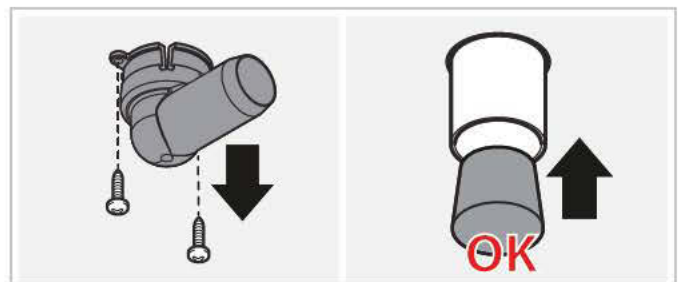
Das U-Teil / das Siphon an ein starres Rohr oder einen Schlauch anschließen und es mit dem Abwasseranschluss verbinden.

- + UNOX empfiehlt die eigenen starren Rohre oder Schläuche.
- ! **Das Wasser am Ausgang des Ablaufes des Ofens kann erhöhte Temperaturen erreichen (90 °C). Die verwendeten Leitungen für den Wasserabfluss müssen diese Temperaturen aushalten und dürfen nicht aus Metall sein.**
- + Wenn die Abwassertemperatur abgesenkt werden muss, empfiehlt UNOX das eigene Abwasser-Kühlsset.



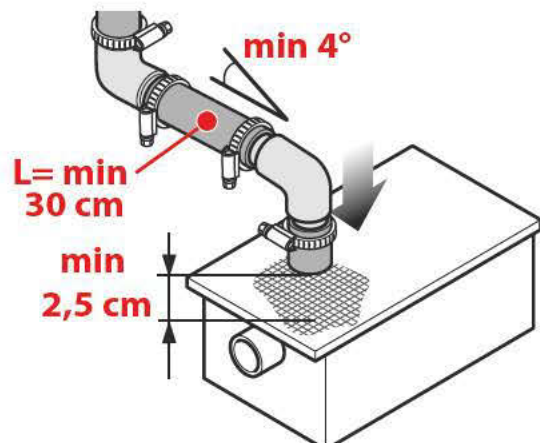
Wenn der Ofen **BAKERTOP MIND.Maps™** nicht permanent an ein Abflusssystem angeschlossen werden kann, muss der Anschluss mit dem im „Starter Kit“ mitgelieferten Kegeldeckel abgedichtet werden.

Das Winkelstück durch Abschrauben der Halterschrauben entfernen und den Kegelstöpsel in den Abflussanschluss einstecken.



! Wenn der Abfluss verstopft ist, dürfen die Waschprogramme **NICHT** verwendet werden bzw. es darf nicht mit großen Wassermengen gespült werden, da sonst die Gefahr besteht, das Wasser aus dem Gerät tritt.

! Beim Garen großer Mengen fettiger Lebensmittel den Siphon entfernen und einen Fettabscheider einsetzen oder direkt in das Gitter ablassen. In beiden Fällen muss das genannte Air Gap beibehalten werden.



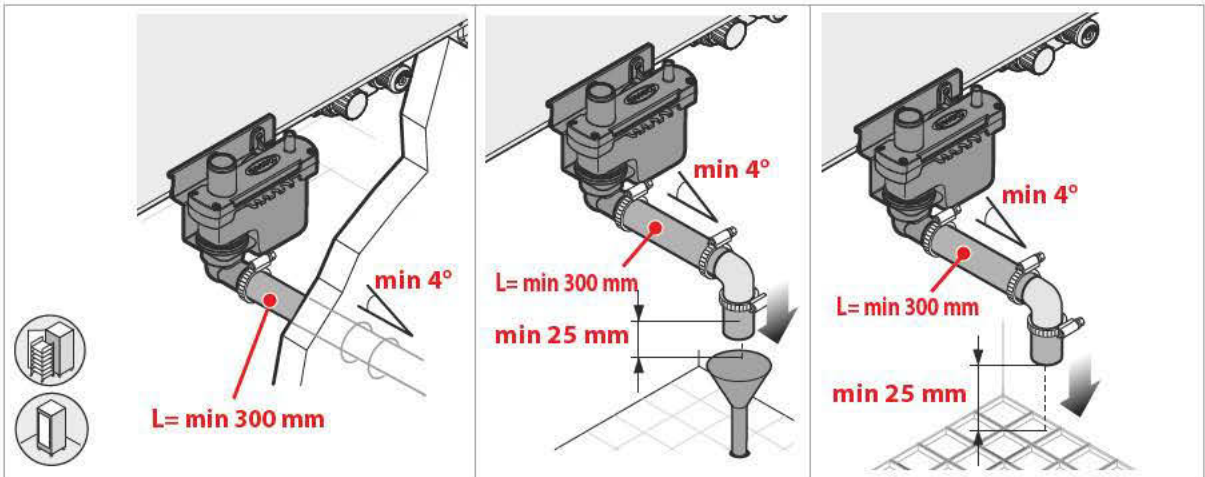
Technische Daten des Abwassers

Der Ablauf muss:

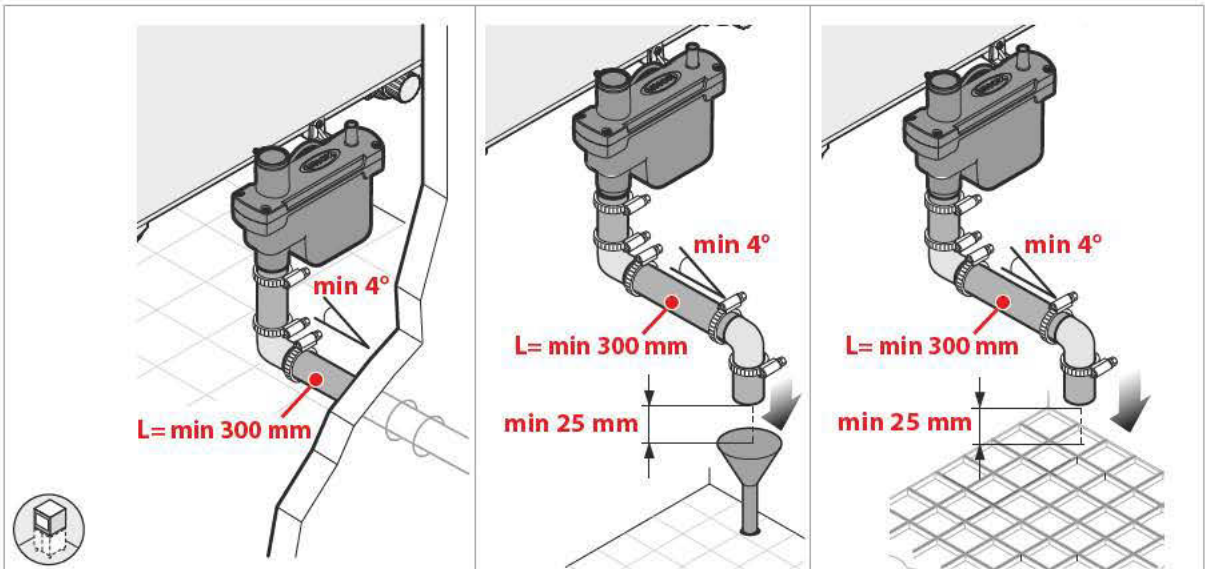
- ein Siphon sein;
- maximal ein Meter lang sein;
- eine min. Neigung von 4% haben;
- einen Durchmesser NICHT unter dem Durchmesser des Ablaufanschlusses haben;
- nicht gequetscht sein;
- für jedes Gerät ausgelegt sein; wenn dem nicht so ist, vergewissern Sie sich, dass die Hauptleitung so ausgelegt ist, dass ein regelmäßiger, problemloser Abfluss möglich ist;

(1): Der Ausgang des Wandabzugs muss einen Luftspalt von mindestens 25 mm haben.

BODENÖFEN
MIT/OHNE WAGEN (1)

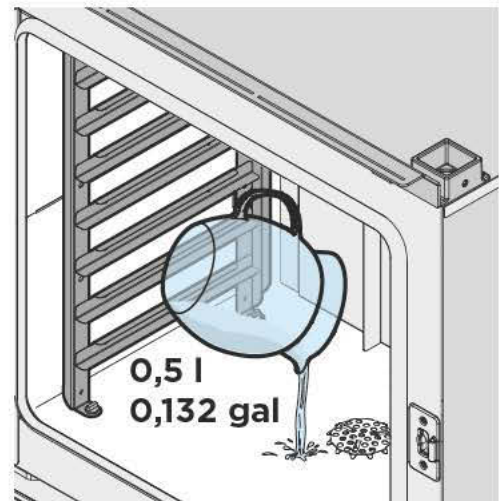


TISCHÖFEN (1)

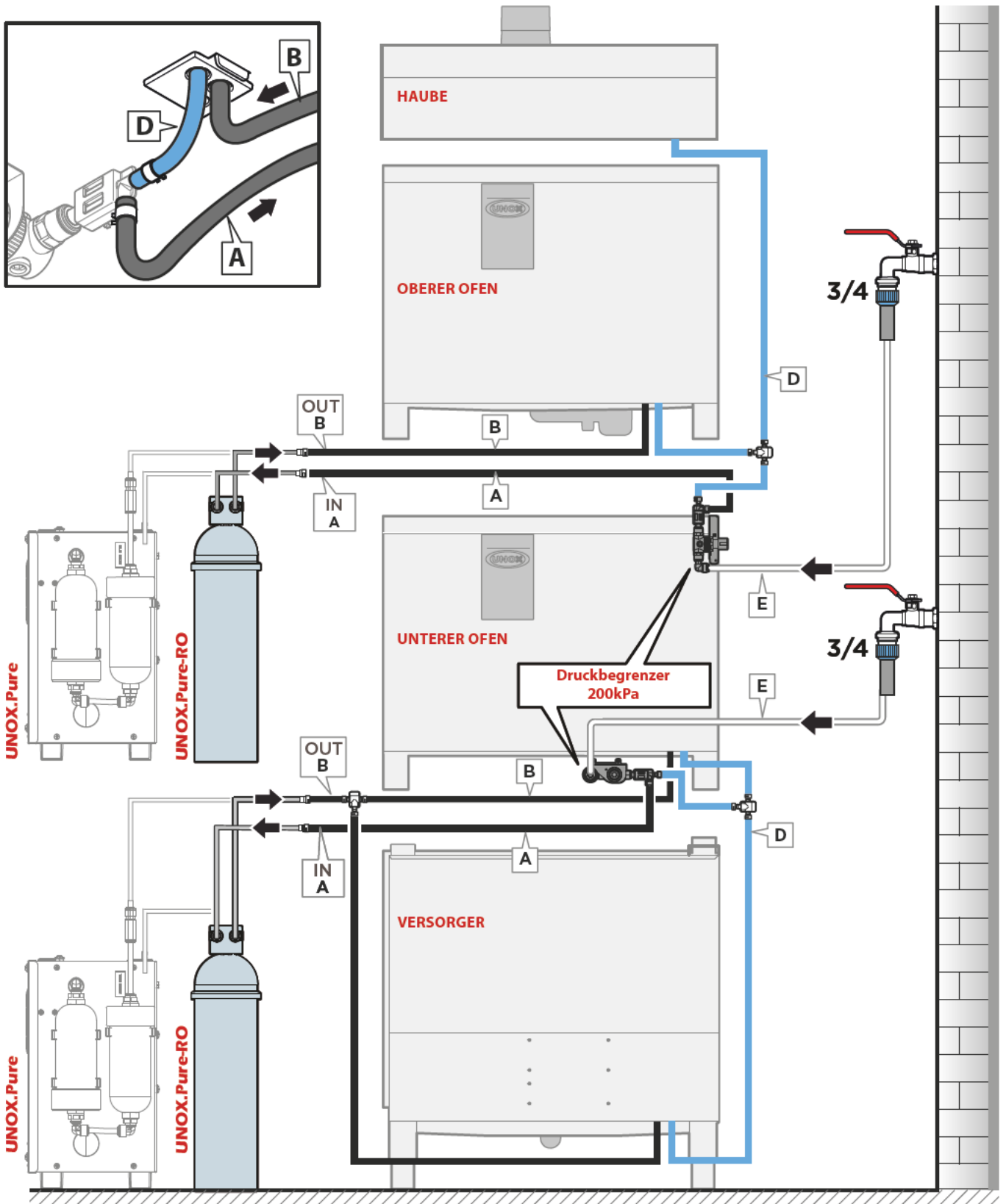


Füllen des Siphons

Am Ende der Installation mindestens 0,5 l (0,132 gal) in den Ablauf der Garkammer des Ofens füllen, um den Siphon zu füllen.

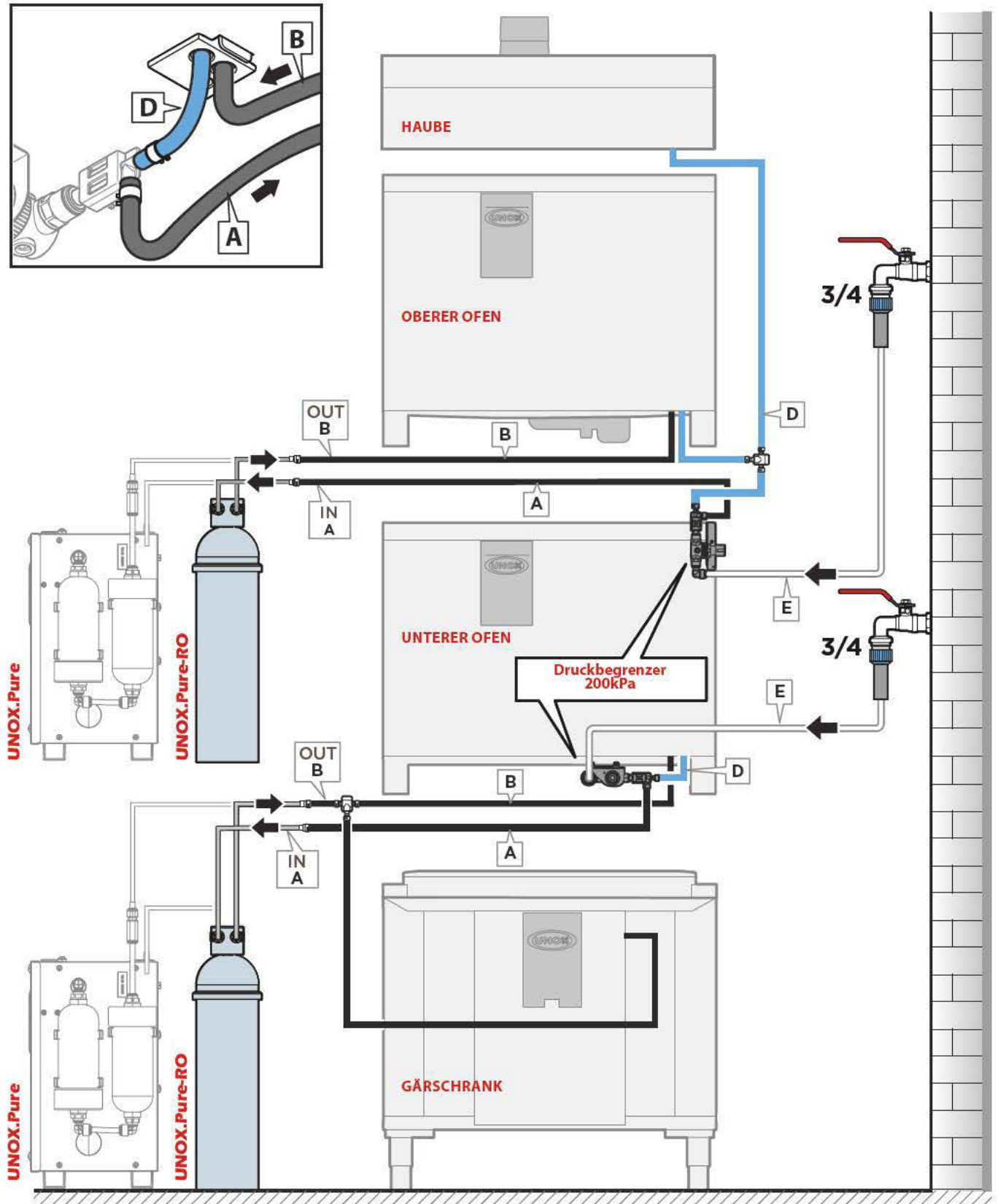


Beispiel der Hydraulikanschlüsse mit **MAXI.Link** Säule



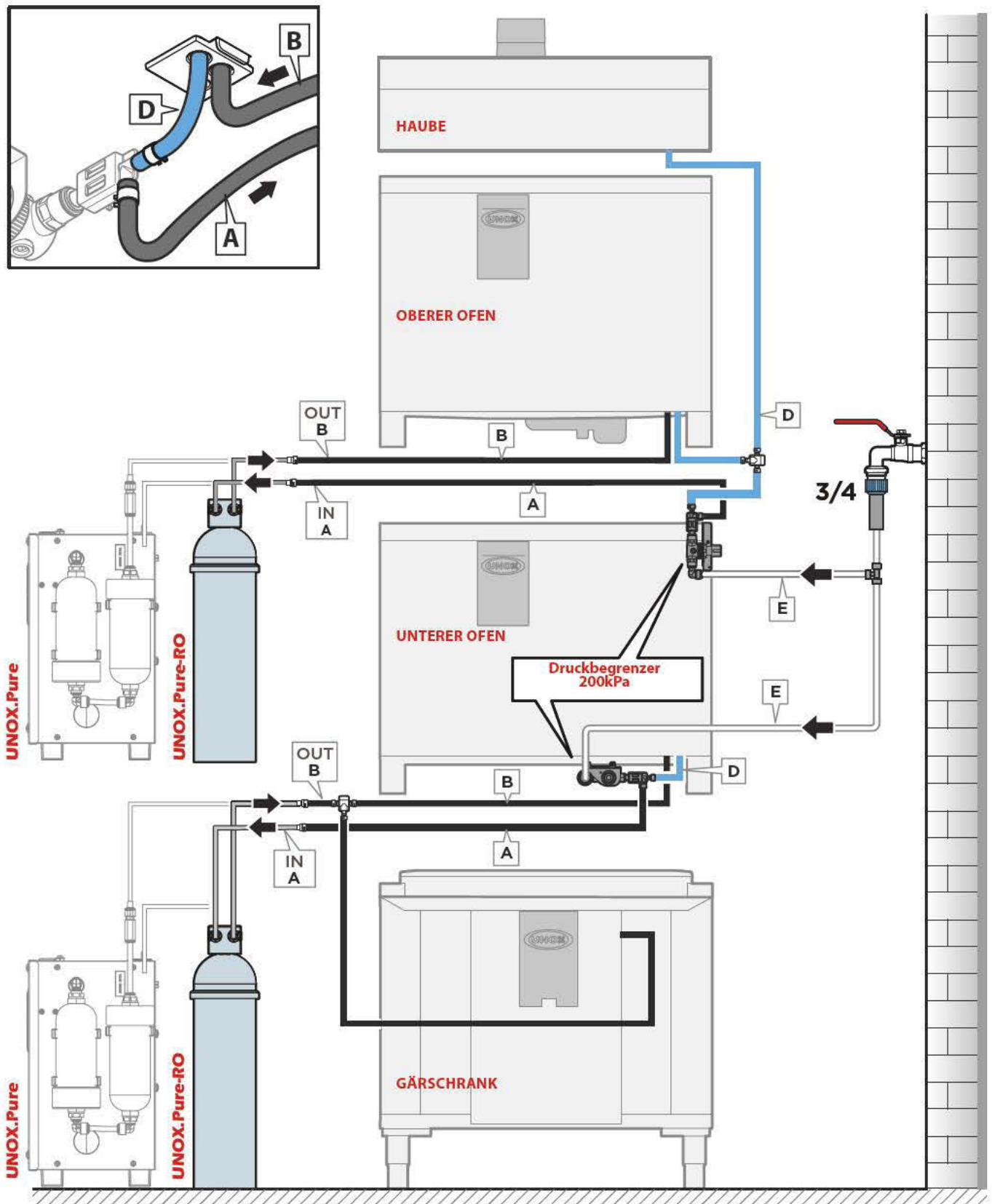
- A: Zu behandelndes Wasser
- B: Wasser für die Dampfkammer - behandelt
- C: Anschluss an Reinigungsmittelkanister (nur Mod. PLUS und ONE)
- D: Waschwasser - unbehandelt (nur Mod. PLUS und ONE)
- E: Zulaufwasser

Beispiel der Hydraulikanschlüsse mit **MAXI.Link** Säule



- A: Zu behandelndes Wasser
- B: Wasser für die Dampfkammer - behandelt
- C: Anschluss an Reinigungsmittelkanister (nur Mod. PLUS und ONE)
- D: Waschwasser - unbehandelt (nur Mod. PLUS und ONE)
- E: Zulaufwasser

Beispiel der Hydraulikanschlüsse mit **MAXI.Link** Säule



- A: Zu behandelndes Wasser
- B: Wasser für die Dampfkammer - behandelt
- C: Anschluss an Reinigungsmittelkanister (nur Mod. PLUS und ONE)
- D: Waschwasser - unbehandelt (nur Mod. PLUS und ONE)
- E: Zulaufwasser

10 AUFFÜLLEN DES REINIGUNGSMITTELKANISTERS (nur Mod. PLUS und ONE)

! Das Auffüllen kann nur mit 1l-Reinigungsmittelflaschen **UNOX.Det&Rinse Plus** aufgefüllt werden.

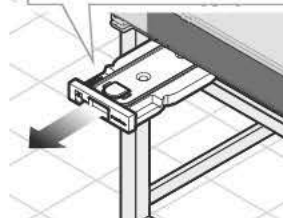
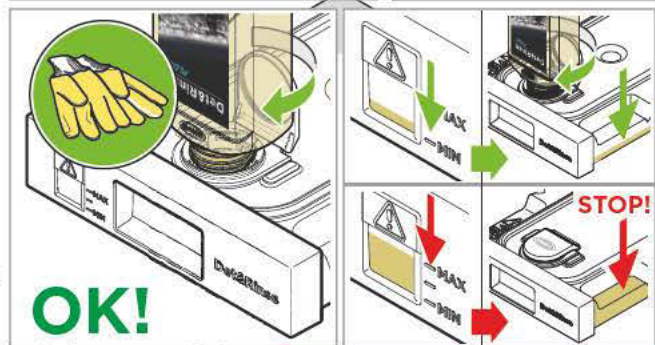
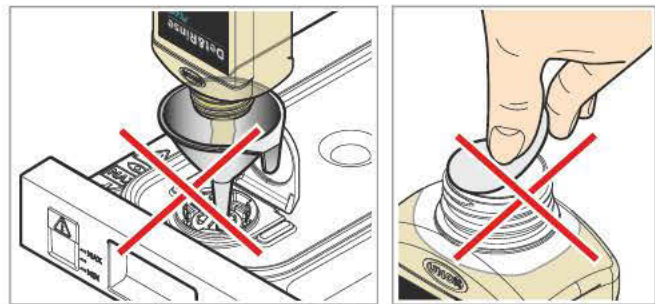
Zum Einfüllen des Reinigungsmittels:

1. Tragen Sie Handschuhe, um den direkten Kontakt der Hände mit dem Reinigungsmittel zu verhindern.
2. Den Behälter unter dem Ofen herausziehen, bis ein „Klick“ zu hören ist.
3. Öffnen Sie den Deckel des Behälters.
4. Öffnen Sie den Deckel der 1-Liter-Flasche des Reinigungsmittels von UNOX **ohne die Schutzfolie zu entfernen/zustechen!**
5. Drehen Sie die Flasche auf den Kopf und schrauben Sie sie auf den Behälter (beim Aufschrauben der Flasche durchsticht ein Dorn im Behälter die Schutzfolie, damit das Reinigungsmittel austreten kann).
6. Nachdem die Flasche geleert wurde, schrauben Sie sie wieder ab, um sie zu entfernen; achten Sie dabei auf eventuelle Tropfen des Reinigungsmittels

! **Das Reinigungsmittel darf nicht mit der Haut, den Augen oder den Schleimhäuten in Berührung kommen.** Bei einem Kontakt mit dem Reinigungsmittel befolgen Sie die Anweisungen auf dem Sicherheitsdatenblatt.

7. Wiederholen Sie den Vorgang, bis Sie den zulässigen Höchststand erreicht haben, der vorn am Behälter angegeben ist (Max. Fassungsvermögen des Behälters 4 Liter = 4 Flaschen)
8. Entsorgen Sie die Flasche.
9. Setzen Sie den Behälter wieder unter dem Ofen ein, bis er einrastet.
10. Entsorgen Sie die Handschuhe und achten Sie dabei darauf, dass Sie nicht mit dem Reinigungsmittel in Berührung kommen.

⚠ Berühren Sie das Reinigungsmittel niemals mit bloßen Händen!



11 DAMPFABZUG (NUR BEI ELEKTROÖFEN)

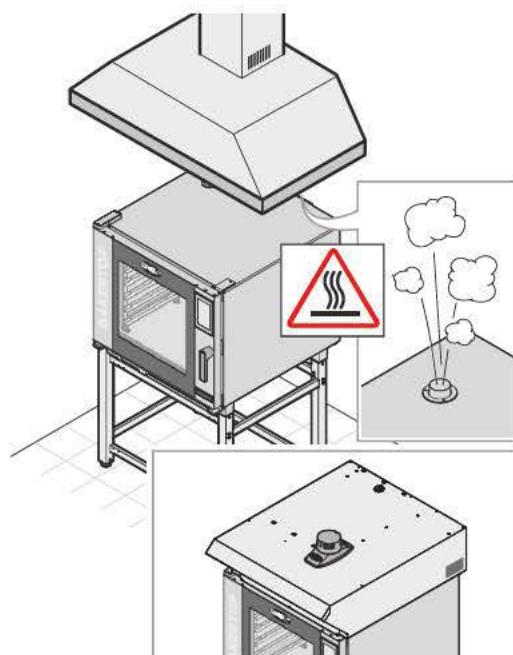
Während des Garens werden heiße Dämpfe und Gerüche über ein Abzugsrohr abgezogen, das sich im oberen Teil des Geräts befindet.

⚠ Versichern Sie sich, dass über dem Dampf- abzug keine Objekte und/oder Materialien sind, die den Abzug beeinflussen könnten und dass keine Schäden durch hohe Temperaturen auftreten. Lassen Sie keine entflamm- baren Materialien in der Nähe des Abzugsrohrs.

Der Dampf- abzug nach außen kann wie folgt erfolgen:

- 1) Abzugshaube mit geeignetem Durchfluss und Größe je nach Ofen.
- 2) Eine Abzugshaube des Herstellers direkt durch ein Selbstdiagnosesystem des Ofens verwaltet.

Zur Montage der UNOX-Hauben, siehe Anleitung in der Verpackung des Sets selbst.





DE

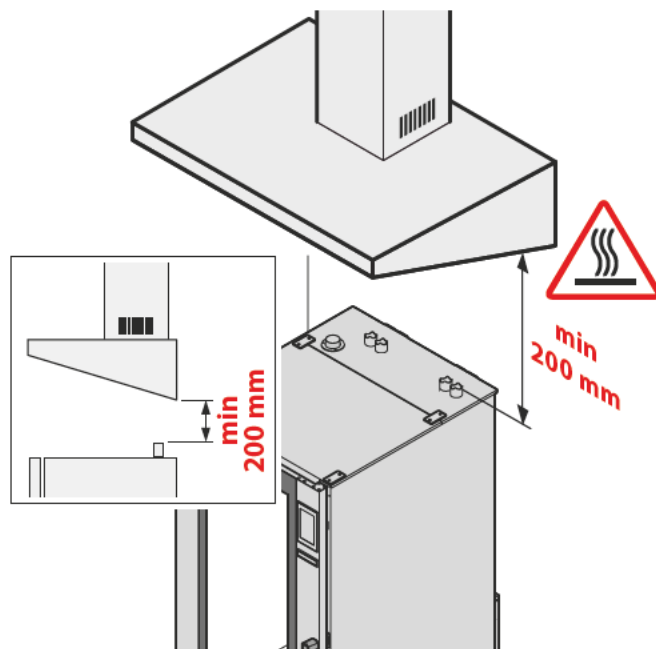
12 DAMPF- UND GASABZUG - (NUR BEI GASÖFEN)

Über das Abzugsrohr werden eventuelle Dämpfe und Gerüche aus der Ofenkammer und die Abgase abgezogen. Der externe Abzug kann in verschiedenen Versionen erfolgen: Wählen Sie die geeignete Nennleistung des Geräts, das montiert werden soll aus und achten Sie auf die auf die lokalen / internationalen Normen zur Montage.

- 1) Abzug mittels Abzugshaube mit Durchsatz und Größe, die für den Ofen geeignet sind. Die Haube benötigt ein mindestens 20 cm langes Abzugsrohr:

 Die Abgase können Temperaturen bis 500°C erreichen. Verwenden Sie kein Abzugsrohr aus Aluminium oder aus Materialien, die den Temperaturen nicht standhalten.


 Vergewissern Sie sich, dass über dem Dampfzug keine Objekte und/oder Materialien vorhanden sind, die den Abzug beeinflussen oder durch hohe Temperaturen beschädigt werden können. Lassen Sie keine entflammaren Materialien in der Nähe der Abzugskamine.

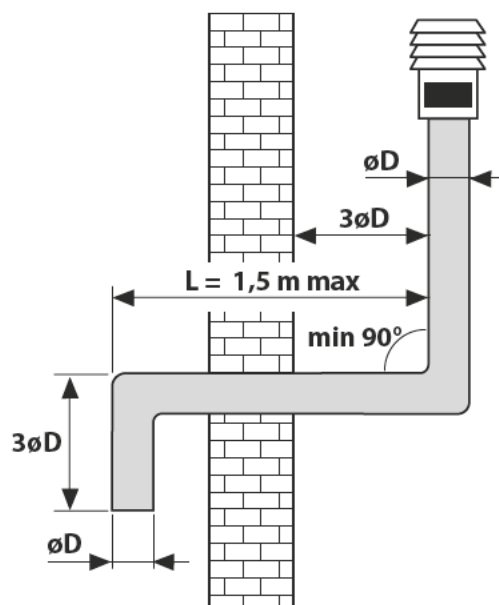


- 2) Abzug über effizienten Kaminschacht mit natürlichem Anzug. Der Ofen muss mit dem optionalen auf Anfrage von UNOX gelieferten Abzugsausschalter ausgestattet sein.

Der Kaminschacht muss:

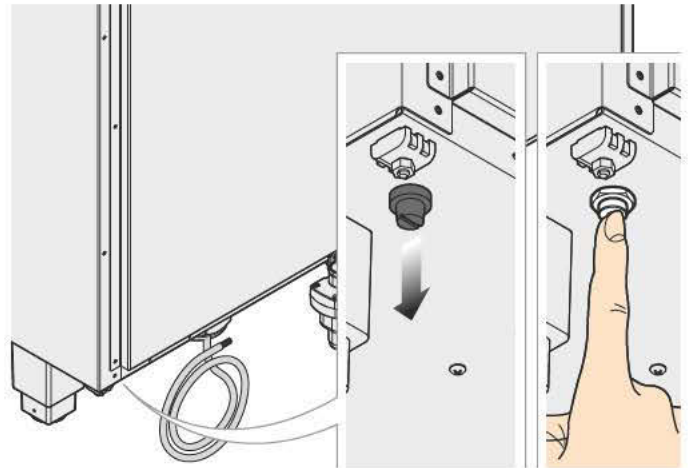
- über die gesamte Länge den gleichen Durchmesser ($\varnothing D$) des Abzugsausschalter des Ofens haben;
- eine Länge ($3\varnothing D$) über dem Luftzugschalter von 3 Mal dem Durchmesser $\varnothing D$ haben;
- einen ansteigenden Verlauf mit einer Mindestneigung von 10% haben. Im Falle von Winkeln müssen diese größer oder gleich 90° sein und die eventuellen horizontalen Teile (L) dürfen nicht länger als 1,5 m sein.

 Es wird empfohlen, einen Kamindeckel auf der äußeren Spitze des Abzugsschachts anzubringen, um zu verhindern, dass Wasser in den Ofen tritt und um zu verhindern, dass Unterdrücke durch den Venturi-Effekt auftreten, die durch starke Luftströme entstehen.



13 VORGANG ZUM RÜCKSETZEN DES OFENS (FÜR KUNDENDIENST RESERVIERT)

Zum Zurücksetzen der Funktionen den schwarzen Deckel auf dem Thermostat abschrauben und den roten Stift, wie in der Abbildung angegeben, drücken (Eingriff durch Kundendienst)



14 ANSCHLÜSSE ZWISCHEN ÜBEREINANDERSTEHENDEN GERÄTEN (MAXI.Link) (nur Mod. PLUS und ONE)

Alle Öfen der Reihe **CHEFTOP-BAKERTOP MIND.Maps™** sind zum Anschluss an Zubehöre (Gärschrank, Abzugshaube, usw.) ausgelegt. Das Zubehör wird über ModBus-Anschlüsse hinten am Ofen angeschlossen. Die Verbindung erfolgt automatisch.

- 1 Lösen Sie alle Geräte von der Stromversorgung.
- 2 Entfernen Sie das rückwärtige Blech am Ofen, um Zugriff auf die Leistungsplatine zu haben.
- 3 Das RJ45-Kabel an einen der ModBus-Anschlüsse an der Leistungsplatine anschließen.
- 4 Das Ofenrückblech wieder montieren.
- 5 Schließen Sie wieder die Stromversorgung an alle Geräte an.

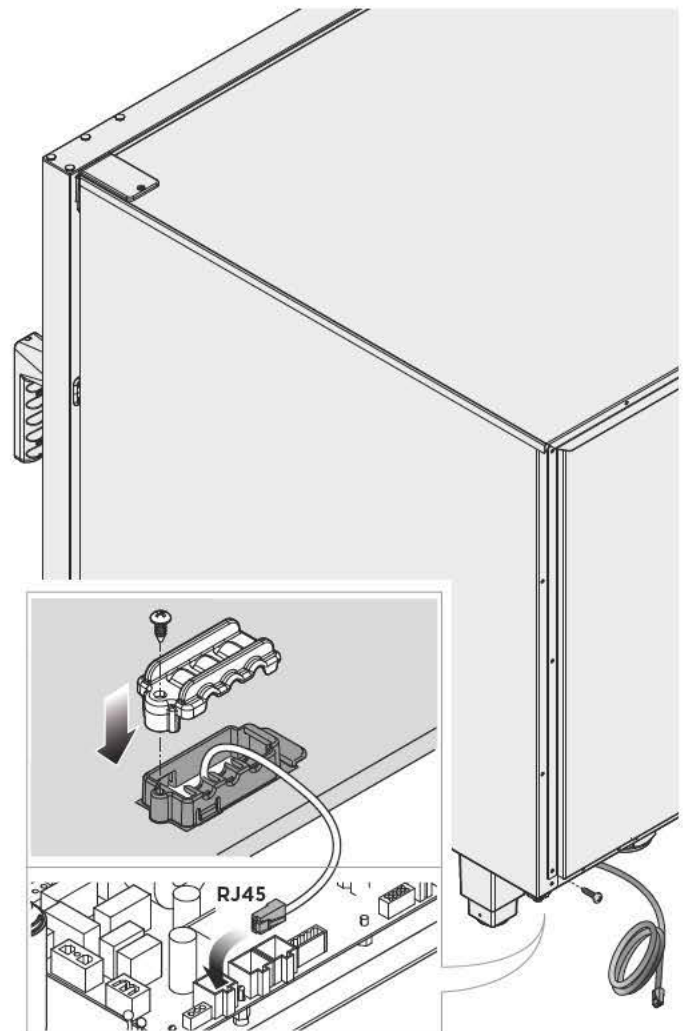
+ Für Informationen zur Montage und zur kompletten Verwaltung des Zubehörs und der Geräte, siehe die Gebrauchsanleitung in der Verpackung.

! Die ModBus-Kabel nur an die zugehörigen ModBus-Anschlüsse und nicht an die RJ45 Ethernet-Anschlüsse anschließen.

15 PROGRAMMIERTER INSTANDHALTUNGSSERVICE (JÄHRLICH)

- Trennen Sie die elektrischen Anschlüsse.
- Überprüfen Sie die Polarität des 220-240Vac am Eingang und an der Erdung
- Überprüfen Sie, ob das Gerät auf den richtigen Druck und die richtige Gasart eingestellt ist
- Führen Sie eine vollständige Sicherheitsüberprüfung der CO-CO₂-Emission des Gassystems entsprechend dem Ofenmodell durch
- Überprüfen Sie alle Anschlüsse auf Gasleckagen mit einem elektronischen Gaslecksuchgerät
- Kontrollieren Sie den Ionisationsstrom vom Flammensensor

Wenden Sie sich für die Wartung an Ihren Händler vor Ort oder wenden Sie sich direkt an UNOX Italia.



Verschrottung am Lebensende

Gemäß des Art. 13 des italienischen Dekrets, Nr. 49 aus 2014 „Umsetzung der Elektronikschrott-Richtlinie 2012/19/EU zur Entsorgung von elektrischen und elektronischen Geräten“



Die Marke für den Container mit Balkencode-Kennzeichnung, die das Produkt angibt, wurde am 13. August 2005 auf den Markt gebracht und weist darauf hin, dass am Lebensende das Gerät nicht normal, sondern separat entsorgt werden muss.

Alle Geräte bestehen zu mehr als 90 % des Gewichtes aus recycelbaren Metallen (Edelstahl, Eisen, Aluminium, verzinktes Blech, Bronze, usw.).

Machen Sie das Gerät für die Verschrottung nicht gebrauchsfähig. Entfernen Sie dazu das Stromkabel und jede Schließvorrichtung der Räume oder Vertiefungen (wo vorhanden).

Am Lebensende des Gerätes muss darauf geachtet werden, Negativeinflüsse auf die Umwelt zu verhindern und die Effizienz der Nutzung der Ressourcen zu steigern. Dabei gilt das Prinzip „Wer verschmutzt, zahlt“, die Prävention, die Vorbereitung zur Wiederverwendung, das Recyceln oder die Wiederverwertung. Es wird daran erinnert, dass das wilde oder falsche Entsorgen des Produktes zu vorgesehenen Sanktionen gemäß der Gesetzgebung führt.

Informationen zur Entsorgung in Italien

In Italien müssen elektrische und elektronische Altgeräte bei den folgenden Stellen angegeben werden:

- Sammelzentren (auch ökologische Inseln oder Plattformen genannt)
- beim Händler, bei dem ein neues Gerät erworben wird. Die Entsorgung ist kostenlos (Austausch alt gegen neu);

Informationen zur Entsorgung in Ländern der Europäischen Union

Die europäische Elektronikschrott-Richtlinie wird in jeder Nation anders umgesetzt. Es gilt jedoch, dass diese Geräte bei den lokalen zuständigen Behörden oder bei befugten Händlern richtig entsorgt werden.

Zertifikate

EU-Konformitätserklärung für Elektro- und Gasgeräte

Hersteller: UNOX S.p.A.

Adresse: Via Majorana, 22 - 35010 Cadoneghe, Padova, Italien

Der Hersteller erklärt auf eigene Verantwortung, dass das Produkt:

CHEFTOP-BAKERTOP MIND.Maps™

Für elektrische und Gasöfen:

der Maschinenrichtlinie 2006/42/EG und den folgenden Normen entspricht:

EN 60335-1: 2014 + A1:2014

EN 60335-2-42: 2003 + A1: 2008 + A1:2012

EN62233: 2008

EN 60335-2-102:2006 + A1:2010

über die folgenden Normen der EMV-Richtlinie 2014/30/EU über die elektromagnetische Verträglichkeit entspricht:

EN 55014-1: 2006 + A1: 2009 + A2: 2011

EN 55014-2: 1997 + A1: 2001 + A2: 2008

EN 61000-3-2: 2006 + A1: 2009 + A2: 2009

EN 61000-3-3: 2008

EN 61000-3-11: 2000

EN 61000-3-12: 2011

EN 61000-6-2: 2005

EN 61000-6-3: 2007

Nur für Gasöfen:

der Verordnung (EU) 2016/426 (GGV) und den folgenden Normen entspricht:

EN 203-1: 2014 / EN 203-2-2: 2006



INTERNATIONAL

UNOX S.p.A.

Via Majorana 22 / 35010 Cadoneghe (PD) Italy
Tel +39 049 8657511 / Fax +39 049 8657555
info@unox.com



INVENTIVE SIMPLIFICATION

EUROPE

ITALIA

UNOX S.p.A.
E-mail: info@unox.it
Tel.: +39 049 86 57 511

ČESKÁ REPUBLIKA

UNOX DISTRIBUTION s.r.o.
E-mail: info.cz@unox.com
Tel.: +420 241 940 000

РОССИЯ, ПРИБАЛТИКА И СТРАНЫ СНГ UNOX РОССИЯ

E-mail: info.ru@unox.com
Tel.: +7 (499) 702-00-14

ESPAÑA

UNOX PROFESIONAL ESPAÑA S.L.
E-mail: info.es@unox.com
Tel.: +34 900 82 89 43

SCANDINAVIAN COUNTRIES

UNOX SCANDINAVIA AB
E-mail: info.se@unox.com
Tel.: +46 (0)768 716 422

UNITED KINGDOM

UNOX UK Ltd.
E-mail: info@unoxuk.com
Tel.: +44 1252 851 522

PORTUGAL

UNOX PORTUGAL
E-mail: info.pt@unox.com
Tel.: +351 918 228 787

DEUTSCHLAND

UNOX DEUTSCHLAND GmbH
E-mail: info.de@unox.com
Tel.: +49 2951 98760

FRANCE, BELGIUM & LUXEMBOURG

UNOX FRANCE s.a.s.
E-mail: info.fr@unox.com
Tel.: +33 4 78 17 35 39

ÖSTERREICH

UNOX ÖSTERREICH GmbH
E-mail: bestellung@unox.com
Tel.: +43 800 880 963

HRVATSKA

UNOX CROATIA
E-mail: narudzbe@unox.com
Tel.: +39 049 86 57 538

TÜRKİYE

UNOX TURKEY Profesyonel MutfaK Ekip-
manları Endüstri ve Ticaret Limited Şirketi
E-mail: info.tr@unox.com
Tel.: +90 530 176 62 03

IRELAND

UNOX IRELAND
E-mail: info.ie@unox.com
Tel. +353 (0) 87 32 23 218

БЪЛГАРИЯ

UNOX BULGARIA
E-mail: info.bg@unox.com
Tel.: +359 88 23 13 378

ASIA & AFRICA

MALAYSIA & SINGAPORE

UNOX (ASIA) SDN. BHD
E-mail: info.asia@unox.com
Tel.: +603-58797700

OTHER ASIAN COUNTRIES

UNOX (ASIA) SDN. BHD
E-mail: info.asia@unox.com
Tel.: +603-58797700

PHILIPPINES

UNOX PHILIPPINES
E-mail: info.asia@unox.com
Tel.: +63 9173108084

대한민국

UNOX KOREA CO. Ltd.
이메일: info.asia@unox.com
전화: +82 2 69410351

AMERICA & OCEANIA

U.S.A. & CANADA

UNOX Inc.
E-mail: infousa@unox.com
Tel.: +1 800 489 8669

MEXICO

UNOX MEXICO, S. DE R.L. DE C.V.
E-mail: info.mx@unox.com
Tel.: +52 1555 4314 180

BRAZIL

UNOX BRAZIL
E-mail: info.br@unox.com
Tel.: +55 11 98717-8201

U.A.E.

UNOX MIDDLE EAST DMCC
E-mail: info.uae@unox.com
Tel.: +971 52 304 3321

SOUTH AFRICA

UNOX SOUTH AFRICA
E-mail: info.sa@unox.com
Tel.: +27 845 05 52 35

INDONESIA

UNOX INDONESIA
E-mail: info.asia@unox.com
Tel.: +62 81908852999

中华人民共和国

UNOX TRADING (SHANGHAI) CO. Ltd.
电子邮件: info.china@unox.com
电话: +86 21 56907696

COLOMBIA

UNOX COLOMBIA
E-mail: info.co@unox.com
Tel.: +57 350 65 88 204

AUSTRALIA

UNOX AUSTRALIA PTY Ltd.
E-mail: info@unoxaustralia.com.au
Tel.: +61 3 9876 0803

NEW ZEALAND

UNOX NEW ZEALAND Ltd.
E-mail: info@unox.co.nz
Tel.: +64 (0) 800 76 0803

L12444C0D00-LD1-01 - Printed: 01-2020
All images used are for illustrative purposes only.
All features indicated in this catalogue may be subject to change and could be updated without notice.

UNOX.COM | FOLLOW US ON

