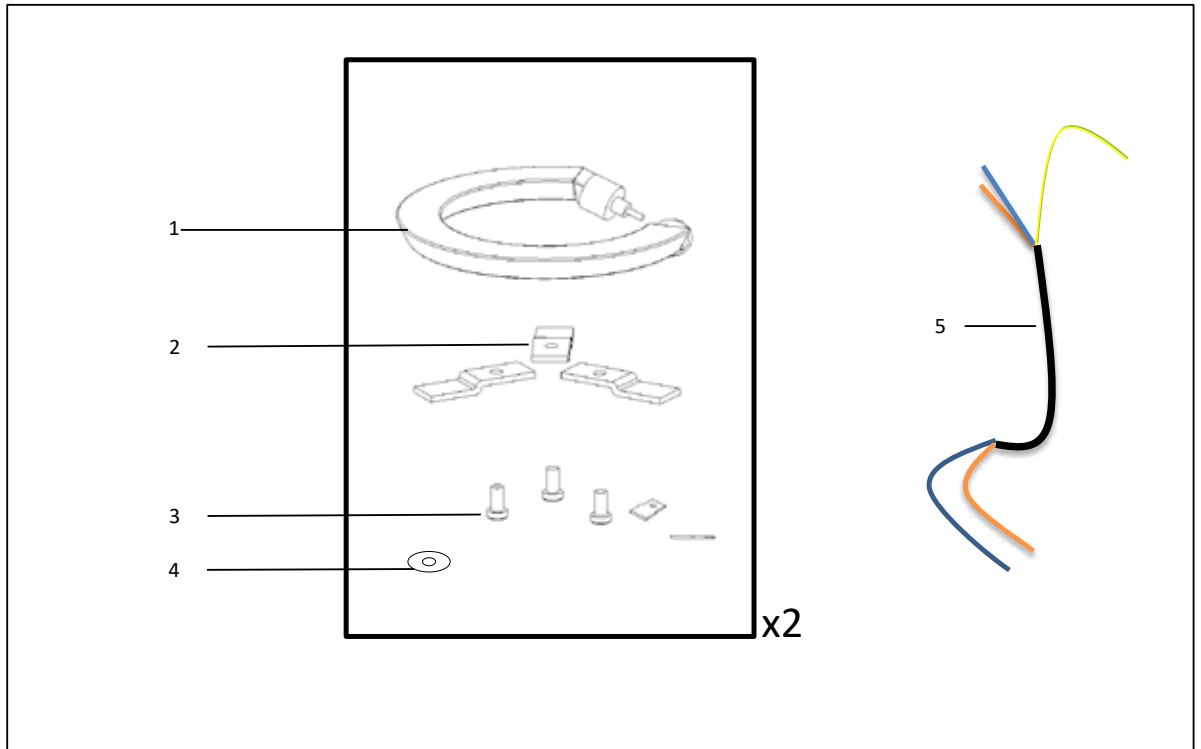
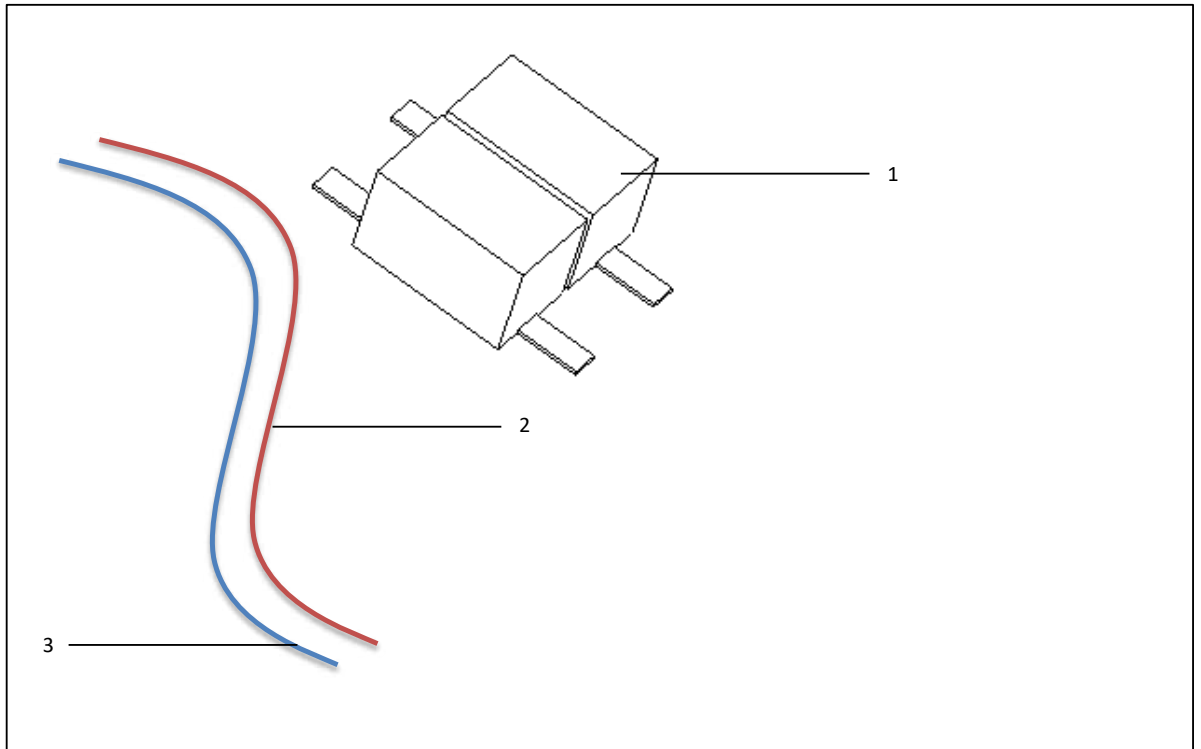


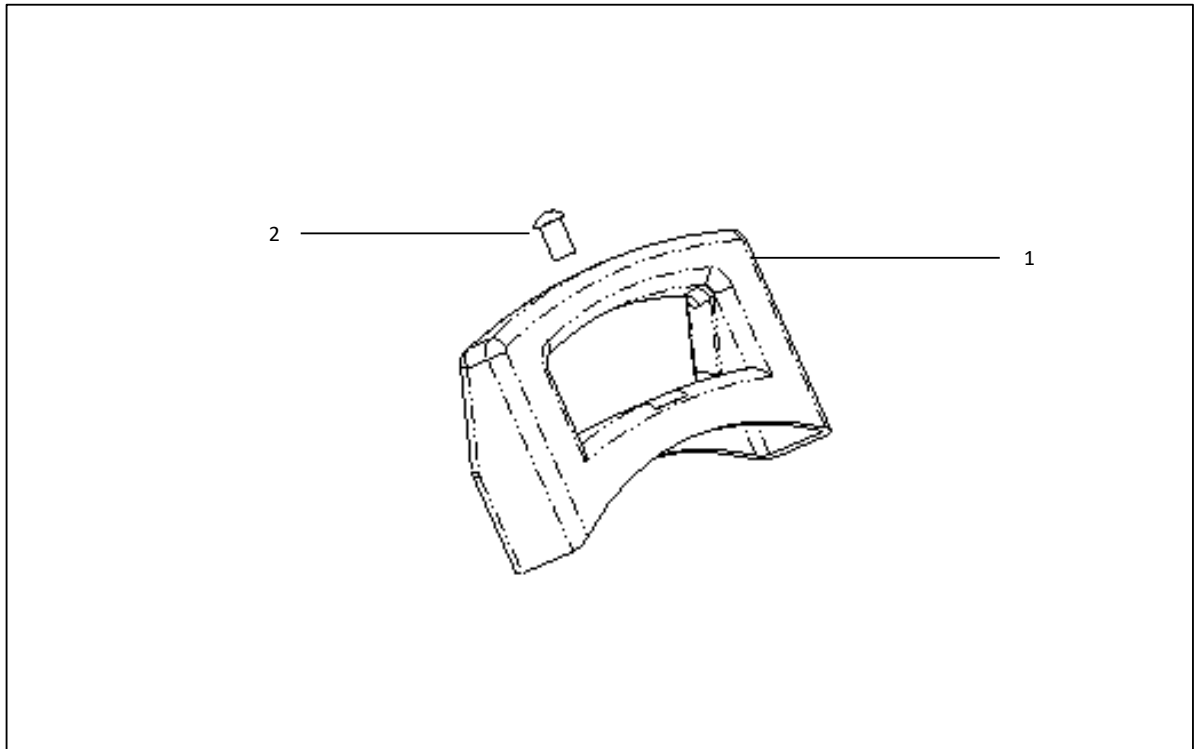
| NO | CODE | DESCRIPTION | Q'TY |
|----|-------|--------------------------------------|------|
| 1 | 00850 | SCREW-HANDLE KIT | |
| 2 | 00820 | UPPER CASING | |
| 3 | 00132 | THERMOSTAT KIT | |
| 4 | 02080 | SANDWICH HEATING PLATE (2 PLATE SET) | |
| 5 | 03303 | HEATING ELEMENT KIT | |
| 6 | 00133 | SWITCH | |
| 7 | 02159 | POWER CORD | |



| NO | CODE | DESCRIPTION | Q'TY |
|----|-------------|----------------------------|------|
| | 3303 | HEATING ELEMENT KIT | |
| 1 | | Heating Element | 2 |
| 2 | | Element Brackets | 6 |
| 3 | | Screws (A,B & C) | 6 |
| 4 | | Washer | 2 |
| 5 | | Wiring Loom | 1 |



| NO | CODE | DESCRIPTION | Q'TY |
|----|-------|----------------|------|
| | 00132 | THERMOSTAT KIT | |
| 1 | | Thermostat | |
| 2 | 01908 | Red Wire | |
| 3 | 01913 | Blue Wire | |



| NO | CODE | DESCRIPTION | Q'TY |
|----|-------|------------------|------|
| | 00850 | SCREW-HANDLE KIT | |
| 1 | 00134 | Handle | |
| 2 | | Screw | |