
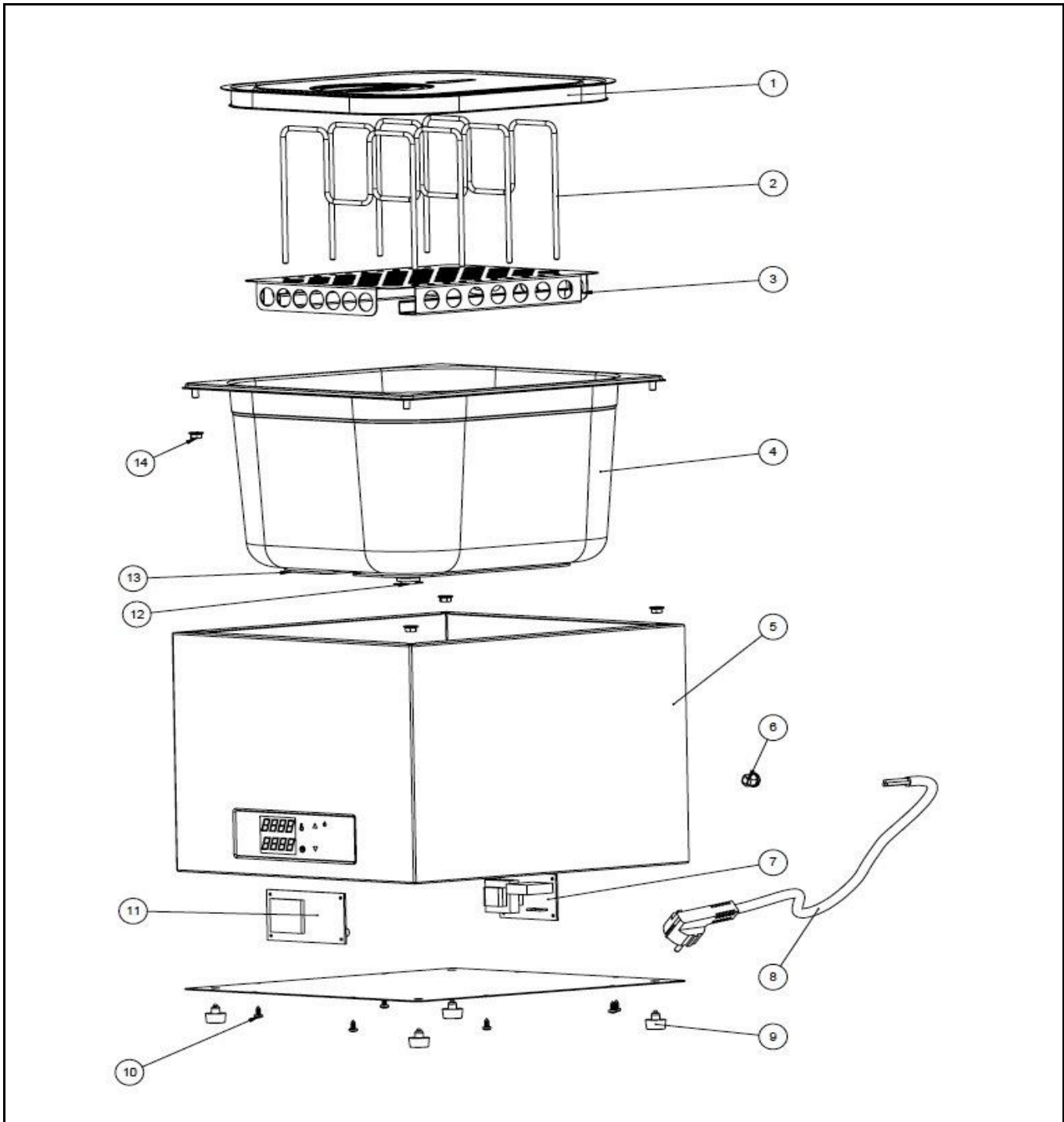


Drawing


 <b>HENDI</b> FOOD SERVICE EQUIPMENT	<b>Batch #</b>	<b>Appliance part#</b>
	403143 until 662995	<b>225264</b>
	<b>Description</b>	
	Sous-vide system GN 2/3	

<b>Date</b>	03-01-2018	<b>Revision #</b>	Revision version
<b>Revision</b>	First bill of materials (BOM)		





## Wiring diagram

 <p><b>HENDI</b> FOOD SERVICE EQUIPMENT</p> <p><b>Hendi B.V.</b> Steenoven 21 3911 TX Rhenen The Netherlands</p>	<b>Batch #</b>	<b>Appliance part#</b>
	403143 until 662995	<b>225264</b>
	<b>Description</b>	
	Sous-vide system GN 2/3	

<b>Date</b>	03-01-2018	<b>Revision #</b>	Revision version
<b>Revision</b>	First bill of materials (BOM)		

