
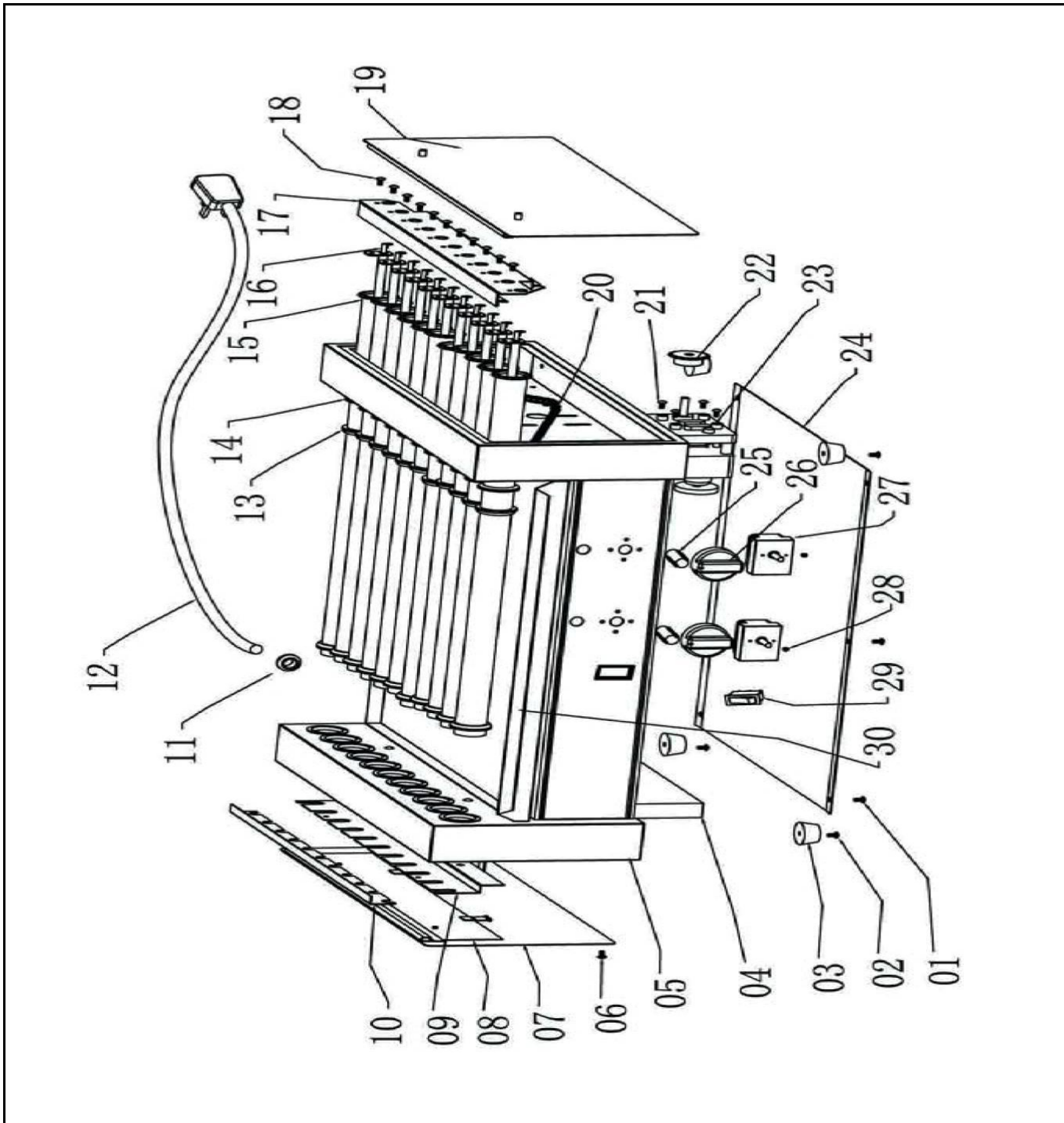



Drawing

| | | |
|---|-----------------------|-----------------|
|  Hendi B.V. Steenoven 21 3911 TX Rhenen The Netherlands | Batch # | Appliance part# |
| | 0000000 | 268605 |
| | Description | |
| | Sausage rolling grill | |

| | | | |
|----------|-------------------------------|------------|------------------|
| Date | 05-06-2014 | Revision # | Revision version |
| Revision | First bill of materials (BOM) | | |



Bill of materials (BOM)

| | | |
|---|--------------------|------------------------|
|  Hendi B.V. Steenoven 21 3911 TX Rhenen The Netherlands | Batch # | Appliance part# |
| | 0000000 | 268605 |
| | Description | |
| Sausage rolling grill | | |


| | | | |
|-----------------|-------------------------------|-------------------|------------------|
| Date | 05-06-2014 | Revision # | Revision version |
| Revision | First bill of materials (BOM) | | |

| Item | Description | Part# | Quantity | Remark | Picture |
|------|------------------------------|--------|----------|---------------------------|---------|
| 1 | Bolt | n/a | 6 | | |
| 2 | Bolt | nss | 4 | | |
| 3 | Foot | 923429 | 4 | | |
| 4 | Insulation blanket | n/a | 2 | | |
| 5 | Housing | n/a | 1 | | |
| 6 | Screw | n/a | 4 | | |
| 7 | Side cover (left) | n/a | 1 | | |
| 8 | Insulation plate | n/a | 1 | | |
| 9 | Support element | n/a | 1 | | |
| 10 | Support element | n/a | 1 | | |
| 11 | Cordinlet wih retention | 912201 | 1 | | |
| 12 | Powercord (H05RN-F 3Gx1.0mm) | 930038 | 1 | | |
| 13 | Angle ring | 923436 | 18 | | |
| 14 | Tube pin | n/a | 18 | | |
| 15 | Tube | n/a | 9 | | |
| 16 | Element | 923412 | 9 | | |
| 17 | Element holder | n/a | 1 | | |
| 18 | Bolt | n/a | 11 | | |
| 19 | Side cover (right) | n/a | 1 | | |
| 20 | Chain | n/a | 1 | | |
| 21 | Bolt | n/a | 4 | | |
| 22 | Gear (motor) | 923450 | 1 | | |
| 23 | Motor | n/a | 1 | See 932629 conversion kit | |
| 24 | Bottom cover | n/a | 1 | | |
| 25 | Indicator light (heating) | 912003 | 2 | | |
| 26 | Knob with graduation plate | 921104 | 2 | | |
| 27 | Energie regulator | 201121 | 2 | | |
| 28 | Screw | n/a | 4 | | |
| 29 | Switch | 902080 | 1 | | |
| 30 | Tray | 926161 | 1 | | |
| | | | | | |
| | | | | | |

n/a -> not available

nss -> not sold separately

Circuit diagram

| | | |
|---|-----------------------|------------------------|
|  <p>Hendi B.V. Steenoven 21 3911 TX Rhenen The Netherlands</p> | Batch # | Appliance part# |
| | 0000000 | 268605 |
| | Description | |
| | Sausage rolling grill | |

| | | | |
|-----------------|-------------------------------|-------------------|------------------|
| Date | 05-06-2014 | Revision # | Revision version |
| Revision | First bill of materials (BOM) | | |

